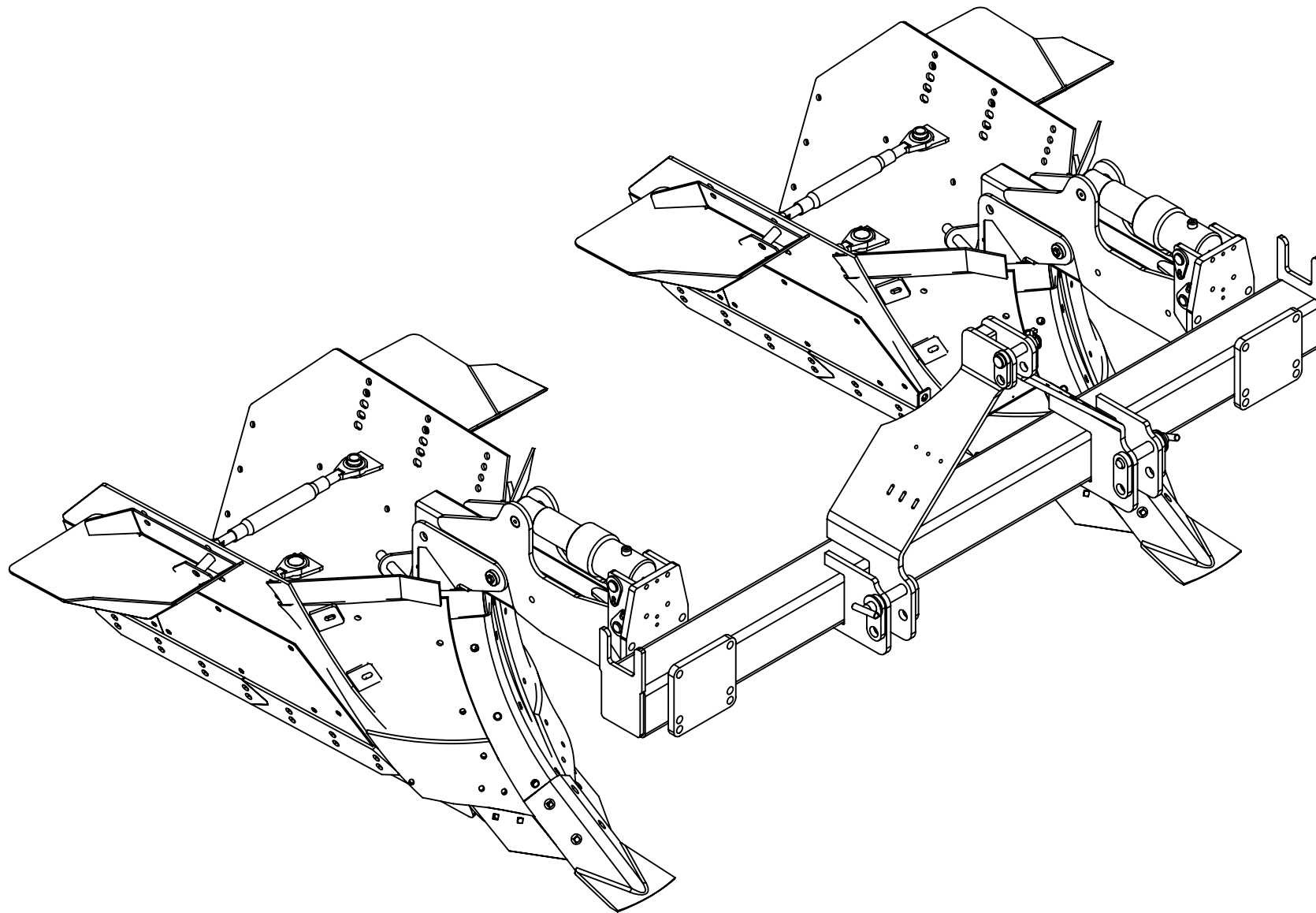


Parts Book

Serial No: BM869-2021
Model: ScanStone 2-Body Auto Reset (3842 ARC)



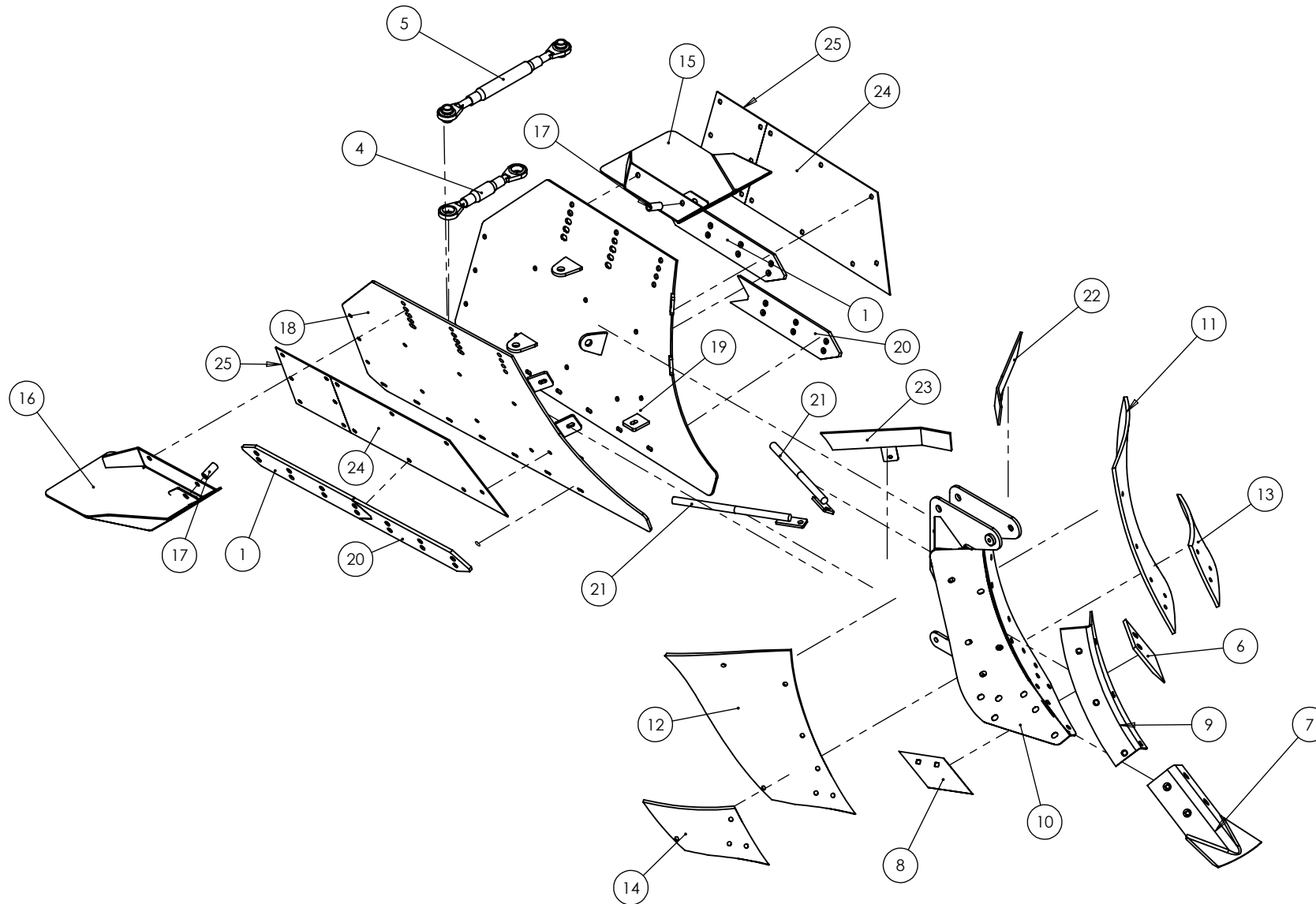
ScanStone
POTATO SYSTEMS

| | |
|---------|------------|
| DRG No. | BM869-2021 |
| DESC. | BED MAKER |
| SN | BM869-2021 |

| ITEM NO. | PART NUMBER | DESCRIPTION | QTY. |
|----------|-------------|-----------------|------|
| 1 | KIT-1000 | 2 BODY A FRAME | 1 |
| 2 | KIT-1109 | CHATEAU PLOUGH | 2 |
| 3 | KIT-1111 | AUTO RESET BEAM | 2 |

ScanStone
POTATO SYSTEMS

| | |
|---------|------------|
| DRG No. | BM869-2021 |
| DESC. | BED MAKER |
| SN | BM869-2021 |



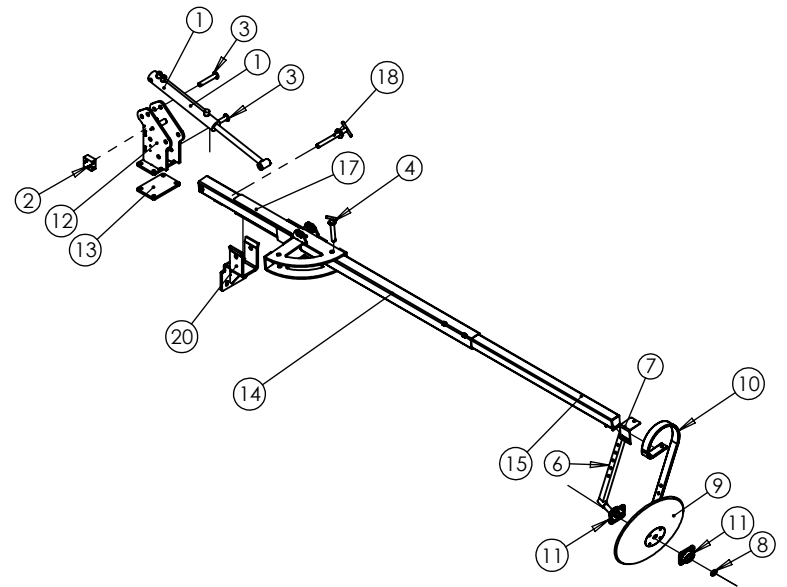
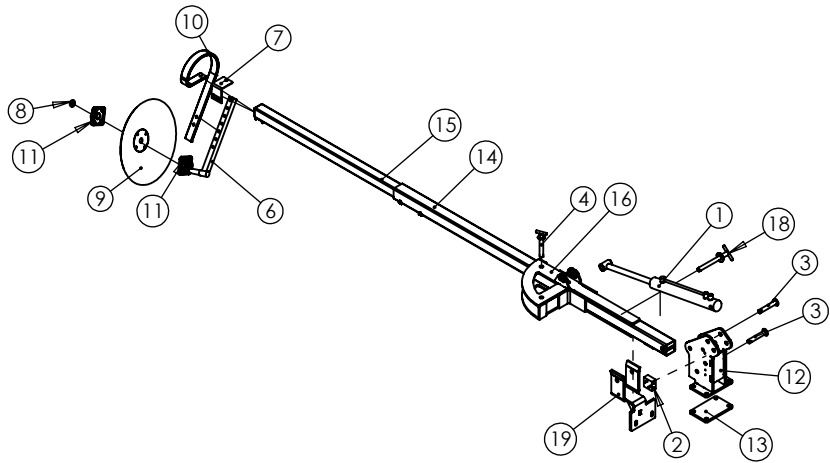
ScanStone
POTATO SYSTEMS

| | |
|---------|----------------|
| DRG No. | KIT-1109 |
| DESC. | CHATEAU PLOUGH |
| SN | BM869-2021 |

| ITEM NO. | PART NUMBER | DESCRIPTION | QTY. |
|----------|-------------|--------------------------|------|
| 1 | UN-00252 | WEAR PLATE | 2 |
| 2 | UN-01778 | COUNTERSUNK BOLT C/W NUT | 22 |
| 3 | UN-01816 | COUNTERSUNK BOLT C/W NUT | 6 |
| 4 | UN-01877 | TOP LINK SMALL | 1 |
| 5 | UN-01879 | TOP LINK MEDIUM | 1 |
| 6 | UN-15630 | RIDGER SHARE LH | 1 |
| 7 | UN-15632 | RIDGER POINT | 1 |
| 8 | UN-15633 | RIDGER SHARE RH | 1 |
| 9 | UN-15634 | CENTRE SHIN | 1 |
| 10 | UN-15639 | PLOUGH BODY STANDARD | 1 |
| 11 | UN-15680 | CHATEAU BREASTPLATE LH | 1 |
| 12 | UN-15681 | CHATEAU BREASTPLATE LH | 1 |
| 13 | UN-15682 | LOWER WEAR STRIP LH | 1 |
| 14 | UN-15683 | LOWER WEAR STRIP RH | 1 |
| 15 | UN-17786 | SKID WELDMENT LH | 1 |
| 16 | UN-17789 | SKID WELDMENT RH | 1 |
| 17 | UN-17791 | SKID SPACER | 2 |
| 18 | UN-17792 | BOARD RH | 1 |
| 19 | UN-17798 | BOARD LH | 1 |
| 20 | UN-17806 | WEAR PLATE | 2 |
| 21 | UN-17839 | PULL BAR WELDMENT | 2 |
| 22 | UN-17866 | EXTENSION WELDMENT LH | 1 |
| 23 | UN-17870 | EXTENSION WELDMENT RH | 1 |
| 24 | UN-17875 | BOARD WEAR PLATE | 2 |
| 25 | UN-17877 | REAR WEAR PLATE | 2 |



| | |
|---------|----------------|
| DRG No. | KIT-1109 |
| DESC. | CHATEAU PLOUGH |
| SN | BM869-2021 |



ScanStone
POTATO SYSTEMS

| | |
|---------|-------------------------------|
| DRG No. | KIT-1084 |
| DESC. | COMPACT DISC MARKERS 4 PLOUGH |
| SN | BM850-2019 |

| ITEM NO. | PART NUMBER | DESCRIPTION | QTY. |
|----------|-------------|--------------------------|------|
| 1 | UN-15070 | MARKER RAM | 2 |
| 2 | UN-15085 | MARKER MANIFOLD | 2 |
| 3 | UN-15105 | MARKER PIN WELDMENT | 4 |
| 4 | UN-15108 | MARKER SAFETY PIN | 2 |
| 5 | UN-15109 | SPACER | 1 |
| 6 | UN-15124 | MARKER ADJUSTER WELDMENT | 2 |
| 7 | UN-15125 | CLAMP | 2 |
| 8 | UN-15126 | WASHER | 2 |
| 9 | UN-15150 | DISC (18") | 2 |
| 10 | UN-15152 | LEVELLING TINES | 2 |
| 11 | UN-15153 | BEARING | 4 |
| 12 | UN-15520 | MARKER MOUNT WELDMENT | 2 |
| 13 | UN-15525 | CLAMP PLATE | 2 |
| 14 | UN-17210 | OUTER ARM | 2 |
| 15 | UN-17214 | MARKER ARM WELDMENT | 2 |
| 16 | UN-17366 | LH MARKER PIVOT ARM | 1 |
| 17 | UN-17377 | RH MARKER PIVOT ARM | 1 |
| 18 | UN-17490 | MARKER LOCK PIN WELDMENT | 2 |
| 19 | UN-17703 | MARKER SUPPORT LH | 1 |
| 20 | UN-17706 | MARKER SUPPORT RH | 1 |



| | |
|---------|-------------------------------|
| DRG No. | KIT-1084 |
| DESC. | COMPACT DISC MARKERS 4 PLOUGH |
| SN | BM850-2019 |