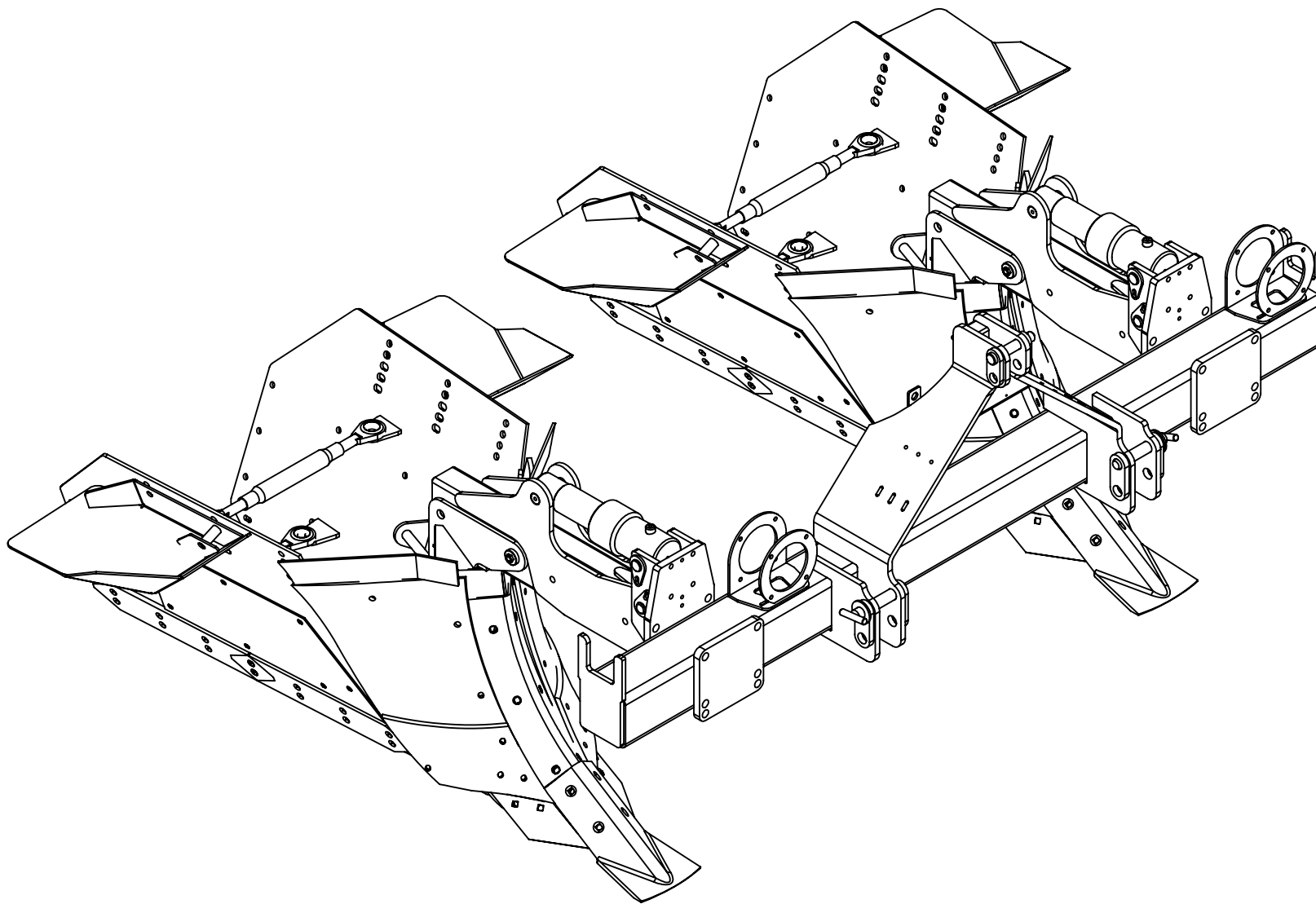


Parts Book

Serial No: BM1066-2023
Model: ScanStone 3842-AR BEDFORMER



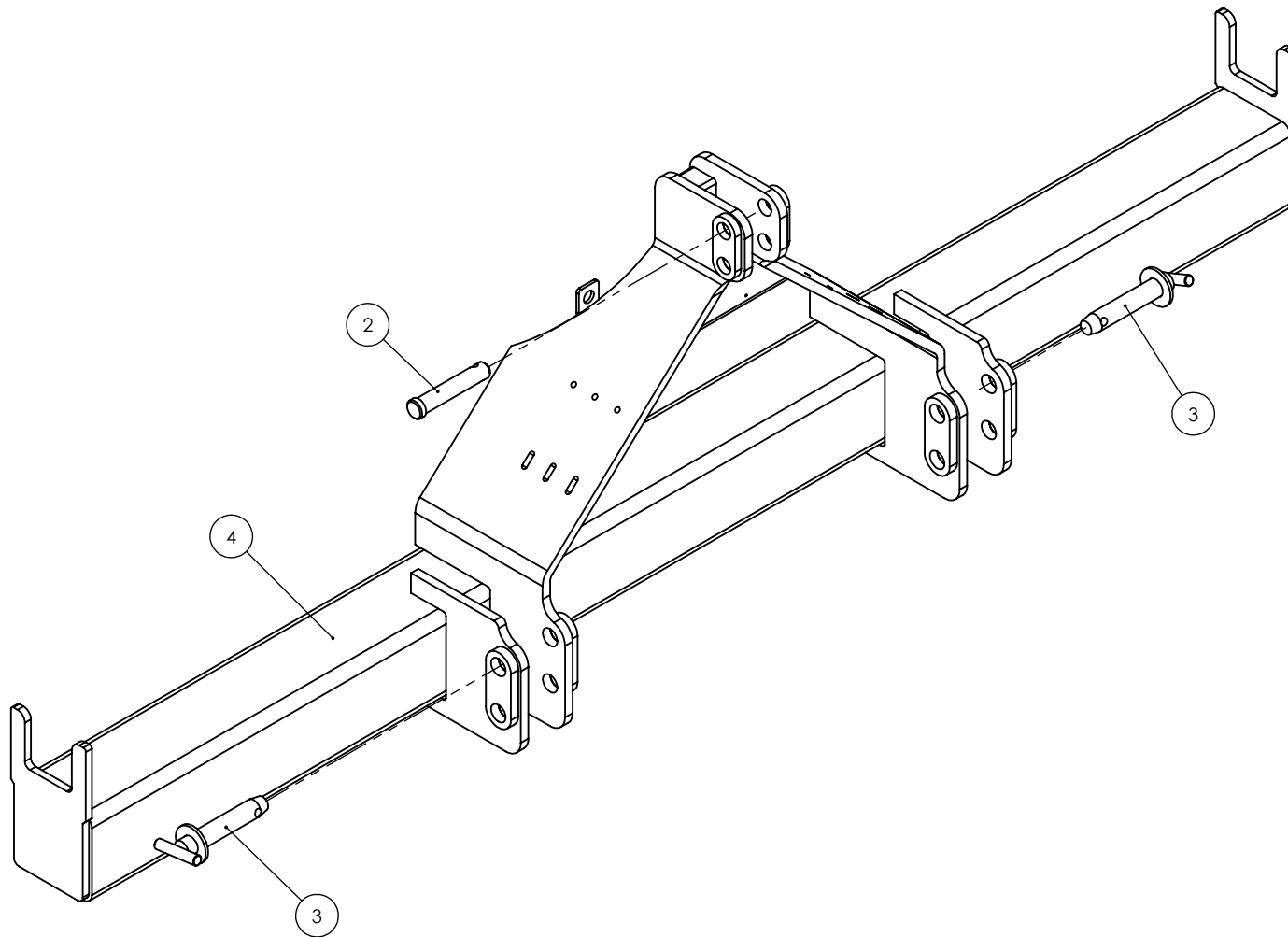
ScanStone
POTATO SYSTEMS

DRG No.	BM1066-2023
DESC.	2 BODY RIDGER
SN	BM1066-2023

ITEM NO.	PART NUMBER	DESCRIPTION	QTY.
1	KIT-1000	2 BODY A FRAME	1
2	KIT-1111	AUTO RESET BEAM	2
3	KIT-1109	CHATEAU PLOUGH	2



DRG No.	BM1066-2023
DESC.	2 BODY RIDGER
SN	BM1066-2023



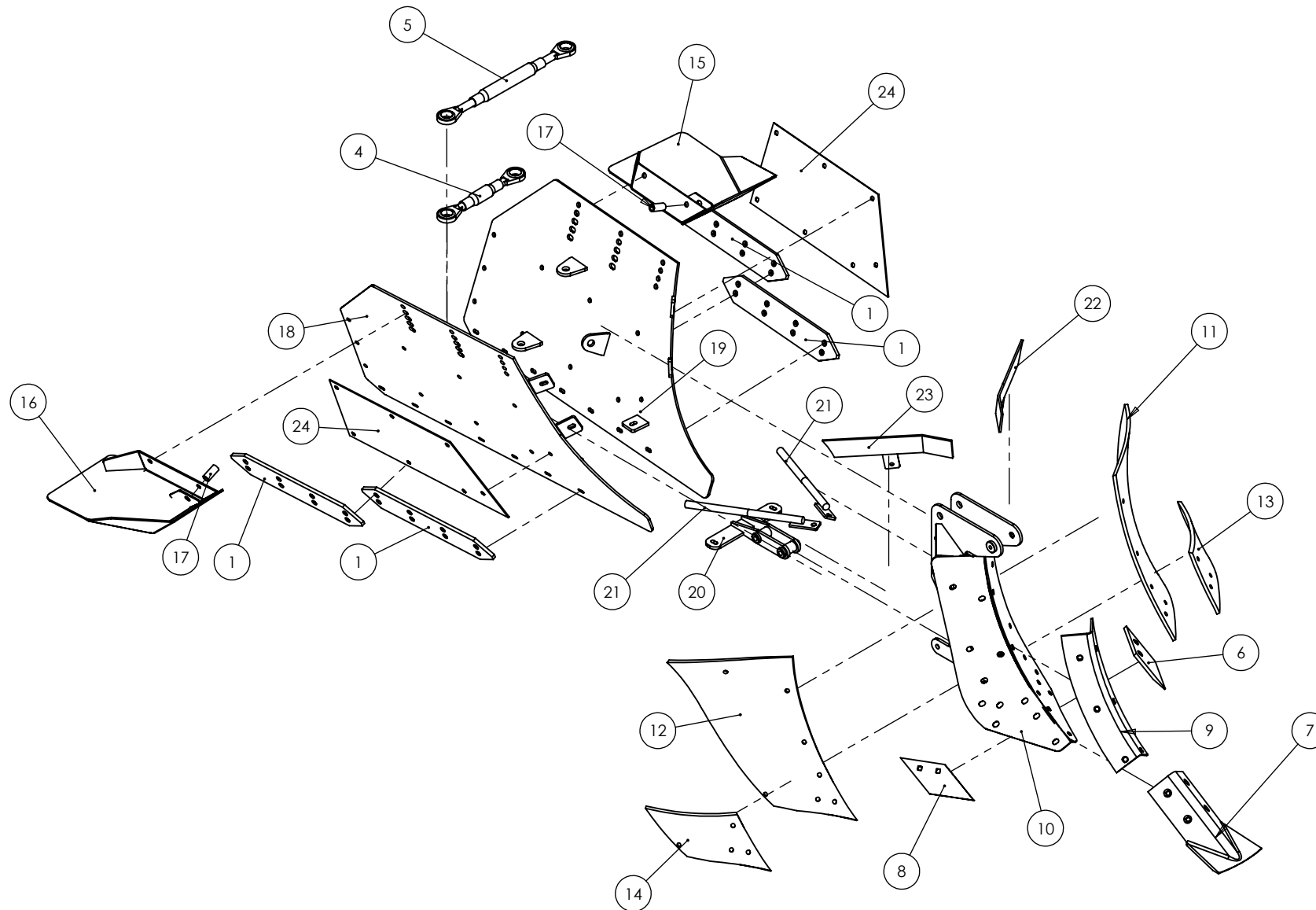
ScanStone
POTATO SYSTEMS

DRG No.	KIT-1000
DESC.	2 BODY A FRAME
SN	BM1066-2023

ITEM NO.	PART NUMBER	DESCRIPTION	QTY.
1	UN-01917	LYNCH PIN	2
2	UN-01985	TOP LINK PIN	1
3	UN-15103	LOWER LINKAGE PIN	2
4	UN-15433	TOOLBAR FRAME WELDMENT	1



DRG No.	KIT-1000
DESC.	2 BODY A FRAME
SN	BM1066-2023



ScanStone
POTATO SYSTEMS

DRG No.	KIT-1109
DESC.	CHATEAU PLOUGH
SN	BM1066-2023

ITEM NO.	PART NUMBER	DESCRIPTION	QTY.
1	UN-00252	WEAR PLATE	4
2	UN-01778	COUNTERSUNK BOLT C/W NUT	22
3	UN-01816	COUNTERSUNK BOLT C/W NUT	6
4	UN-01877	TOP LINK SMALL	1
5	UN-01879	TOP LINK MEDIUM	1
6	UN-15630	SHARE LH	1
7	UN-15632	RIDGER POINT	1
8	UN-15633	SHARE RH	1
9	UN-15634	CENTRE SHIN	1
10	UN-15639	PLOUGH BODY STANDARD	1
11	UN-15680	BREASTPLATE LH	1
12	UN-15681	BREAST PLATE LH	1
13	UN-15682	LOWER WEAR STRIP LH	1
14	UN-15683	LOWER WEAR STRIP RH	1
15	UN-17786	SKID WELDMENT LH	1
16	UN-17789	SKID WELDMENT RH	1
17	UN-17791	SKID SPACER	2
18	UN-17792	BOARD RH	1
19	UN-17798	BOARD LH	1
20	UN-17801	PULL BRACKET WELDMENT	1
21	UN-17839	PULL BAR WELDMENT	2
22	UN-17866	EXTENSION WELDMENT LH	1
23	UN-17870	EXTENSION WELDMENT RH	1
24	UN-17875	BOARD WEAR PLATE	2



DRG No.	KIT-1109
DESC.	CHATEAU PLOUGH
SN	BM1066-2023

Updated Chateau Side Boards

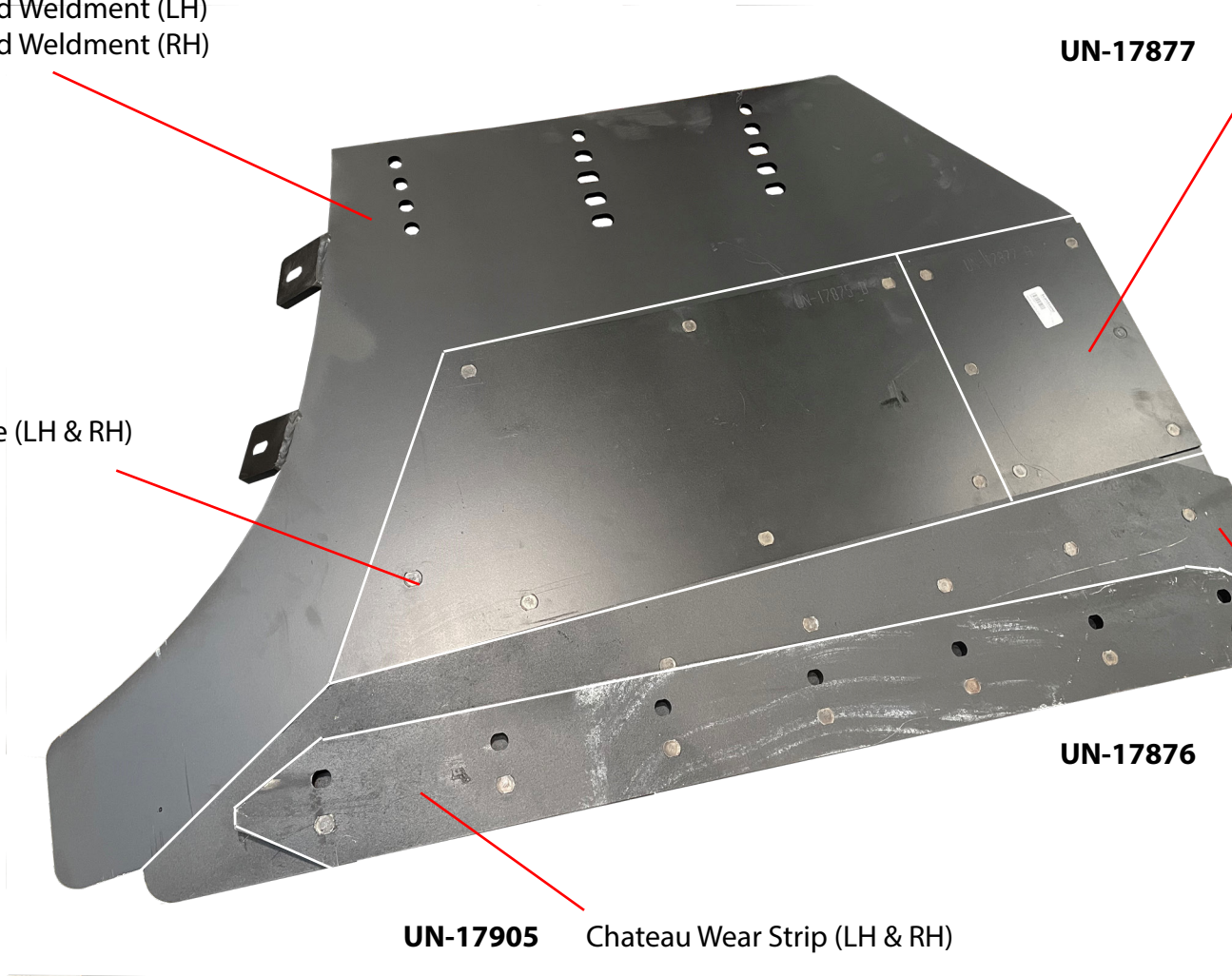
UN-17792 Board Weldment (LH)
UN-17798 Board Weldment (RH)

UN-17877 Rear Wear Plate (LH & RH)

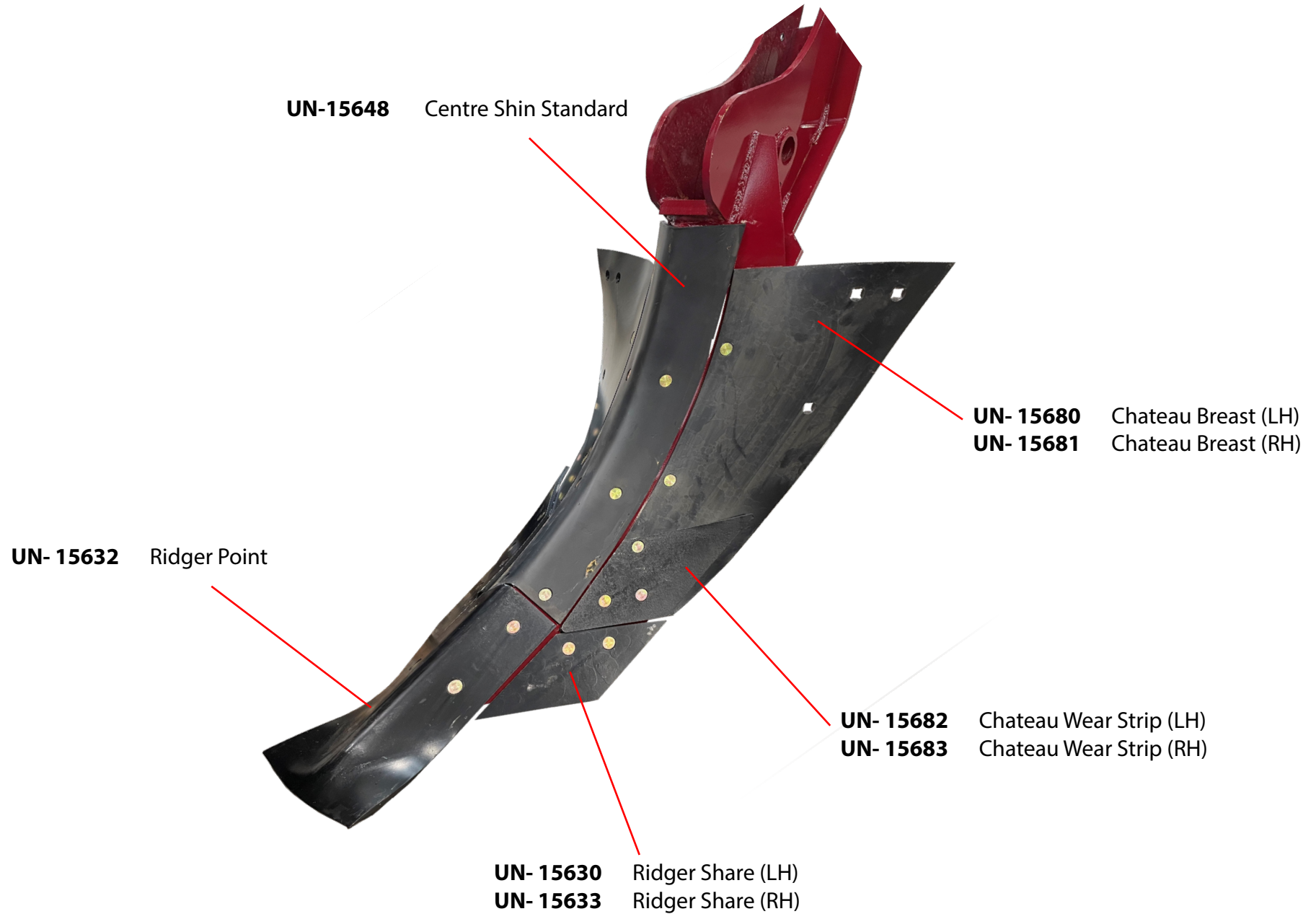
UN-17875 Board Weld Plate (LH & RH)

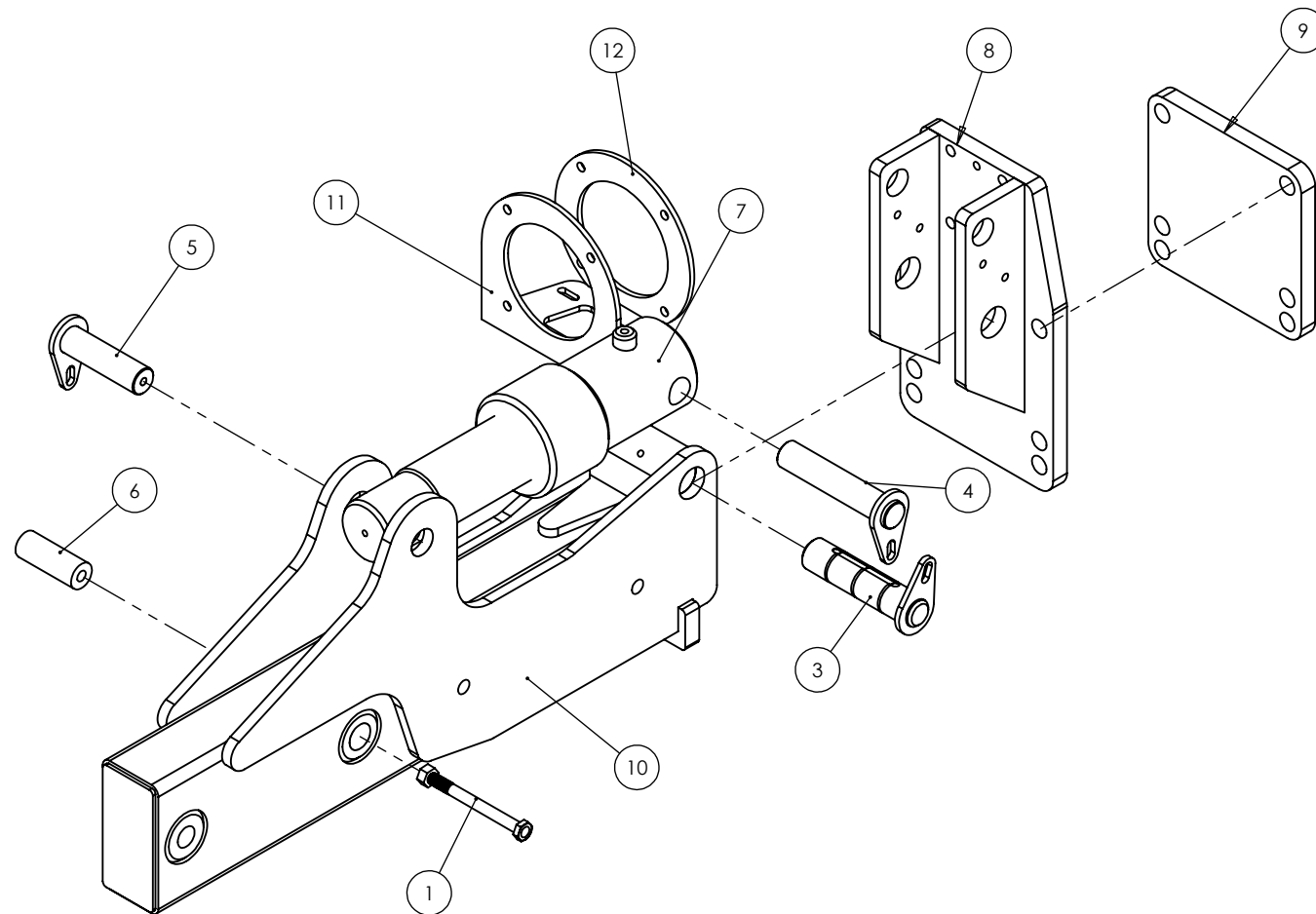
UN-17876 Conversion Plate (LH & RH)
Bed Maker Only
Not Bed Tiller

UN-17905 Chateau Wear Strip (LH & RH)



Updated Chateau Front Boards





ScanStone
POTATO SYSTEMS

DRG No.	KIT-1111
DESC.	AUTO RESET BEAM
SN	BM1066-2023

ITEM NO.	PART NUMBER	DESCRIPTION	QTY.
1	UN-00427	SHEAR BOLT &NUT	1
2	UN-05300	ACCUMULATOR	1
3	UN-15009	PIVOT PIN WELDMENT	1
4	UN-15011	PIVOT PIN WELDMENT	1
5	UN-15012	RAM PIN WELDMENT	1
6	UN-15022	BUSH	1
7	UN-15131	RIDGER RAM	1
8	UN-15448	HINGE BRACKET WELDMENT	1
9	UN-15457	CLAMP PLATE	1
10	UN-15485	AUTORESET BEAM WELDMENT	1
11	UN-15537	ACCUMULATOR MOUNT BRACKET	1
12	UN-15538	CLAMP PLATE	1



DRG No.	KIT-1111
DESC.	AUTO RESET BEAM
SN	BM1066-2023