

ScanStone

SOIL PREPARATION SYSTEMS

MODELS:

RGS4215-S

RGS4217-S

RGS4213/5-SD

RGS4215 SD

RGS4215-W

RGS4217-W

RGS4213/5-WD

RGS4215-WD

RGS4217-SD

RGS4217-WD

RGS5215-W

RGS5217-W



SEPARATOR PARTS LIST **2010**

Every effort is made to ensure the data contained in this manual is as accurate and as up to date as possible at time of going to print. RGS Forfar Ltd. however reserves the right to make changes or add improvements to its range of products at any time without notice.

September
2009

Parts List

Assembly Groups

- 1.1 - Front End - Rotor Type
- 1.2 - Rotor
- 1.3 - Hydraulic Sliding Drawbar
- 1.4D - Front End - Diablo Type (up to 2008)
- 1.5D - Standard Drawbar - (Diablo machines)
- 1.6D - Hydraulic Sliding Drawbar - (Diablo machines)
- 1.7D - Front End - 1340 Star Diablo (2009 onwards)
- 1.8D - Front End - 1540 Star Diablo (2009 onwards)
- 1.9D - Front End - 1540 Web Diablo (2009 onwards)

- 2.1 - Rotor Drive Gearbox and Pedestal

- 3.1 - Full Width Share - Yr. 2004
- 3.1A - Full Width Share - 2005 onwards
- 3.2 - Narrow type Multiblade Share - (Narrow machines) - Yr. 2004
- 3.2A - Narrow type Multiblade Share - (Narrow machines) - 2005 onwards
- 3.3 - Narrow type Multiblade Share - (Wide machines) - Yr. 2004
- 3.3A - Narrow type Multiblade Share - (Wide machines) - 2005 onwards
- 3.4 - Wide type Multiblade Share - (Narrow machines) - Yr. 2004
- 3.4A - Wide type Multiblade Share - (Narrow machines) - 2005 onwards
- 3.5 - Wide type Multiblade Share - (Wide machines) - Yr. 2004
- 3.5A - Wide type Multiblade Share - (Wide machines) - 2005 onwards
- 3.6D - Wide type Multiblade Share - (Diablo machines - up to 2008)
- 3.7D - Multiblade Share - (Diablo machines - 2009 onwards)

- 4.1 - Roller Carrier Frames (Narrow Multiweb machines)
- 4.2 - Roller Carrier Frames (Wide Multiweb machines)
- 4.3 - Roller Carrier Frames (Narrow Star machines)
- 4.4 - Roller Carrier Frames (Wide Star machines)
- 4.5 - Roller Carrier Frames (5215W machines)
- 4.6 - Roller Carrier Frames (5217W Star machines)

- 5.1 - Shafts & Sprockets (Narrow Multiweb machines)
- 5.2 - Shafts & Sprockets (Wide Multiweb machines)
- 5.3 - Shafts & Sprockets (Narrow Star machines)
- 5.4 - Shafts & Sprockets (Wide Star machines)
- 5.5 - Shafts & Sprockets (5215W machines)
- 5.6 - Shafts & Sprockets (5217W machines)
- 5.7 - Shafts & Sprockets (4213/5-SD machines)

- 6.1 - Webs
- 6.2 - Web Accessories
- 6.2A - Web Accessories - High Strength Joining Clip System
- 6.3 - Roller Assemblies
- 6.4 - Web Cleaners

- 7.1 - Doors, Guards & Wear Plates (Multiweb machines)
- 7.2 - Doors, Guards & Wear Plates (Star machines)
- 7.3 - Main Sides
- 7.4D - Doors, Guards etc. (Multiweb mach's with Diablo)
- 7.5D - Doors, Guards etc. (Star machines with Diablo)

- 8.1 - Web Drive Gearbox & Support Bridge

- 9.1 - Axle Assembly (Yr. 2004)
- 9.2 - Axle Assembly (Yr. 2005)
- 9.3 - Axle Assembly (2006 onwards)
- 9.4 - Hub Assembly

- 10.1 - Cross Conveyor (Long Section)
- 10.2 - Cross Conveyor (Short Section)
- 10.3 - Cross Conveyor Supports and Deflectors (Yr. 2004)
- 10.4 - Cross Conveyor Supports and Deflectors (2005 onwards)
- 10.5 - Loading Elevator Frame
- 10.6 - Loading Elevator Rollers and Web
- 10.7 - Loading Elevator Lifting Frame and Supports

- 11.1 - Pulleys & Drive Belts (Multiweb machines - Yr. 2004)
- 11.1A - Pulleys & Drive Belts (Multiweb machines - 2005 onwards)
- 11.2 - Pulleys & Drive Belts (Star machines)
- 11.3 - Pulleys & Drive Belt Tensioners (Star machines)
- 11.4 - Pulleys & Drive Belts (5 Web machines)

- 12.1 - Star Unit
- 12.2 - Drop Out Star Shafts (40mm Spacings)
- 12.3 - Drop Out Star Shafts (45mm Spacings)
- 12.4 - Drop Out Star Shafts (50mm Spacings)
- 12.5 - Drop Out Star Shafts (55mm Spacings)

- 13.1 - Hydraulic General Arrangement (Multiweb machines)
- 13.1D - Hydraulic G. A. (Multiweb mach's with Diablo - up to 2008)
- 13.2 - Hydraulic General Arrangement (Star machines)
- 13.2D - Hydraulic G. A. (Star machines with Diablo - up to 2008)
- 13.3 - Front Manifold General Arrangement (Multiweb machines)
- 13.3D - Front Manifold G. A. (Multiweb machines with Diablo - up to 2008)
- 13.4 - Front Manifold General Arrangement (Star machines)
- 13.4D - Front Manifold G. A. (Star machines with Diablo - up to 2008)
- 13.5 - Front Manifold Fittings
- 13.5D - Front Manifold - (Diablo machines - up to 2008)
- 13.6 - Rear Manifold - (Multiweb machines)
- 13.7 - Rear Manifold - (Star machines)

- 13.8 - Stone Hopper Hydraulic Arrangement
- 13.9 - Loading Elevator Hydraulics
- 13.10 - Auto Grease System
- 13.11 - Hose & Pipework - (Diablo Machines - up to 2008)
- 13.12 - Diablo Manifold Fittings (up to 2008)
- 13.13 - Diablo Manifold Pipework (2009 onwards)
- 13.14 - Transport Suspension System

- 14.1 - Electrical Wiring Loom (Yr. 2004)
- 14.1A - Electrical Wiring Loom (2005 onwards)
- 14.2 - Control Box (Yr. 2004)
- 14.2A - Control Box (2005 onwards)
- 14.3 - Main Connection Box (Yr. 2004)
- 14.3A - Connection Boxes (Yr. 2005)
- 14.3B - Connection Boxes (Yr. 2006 - 2008)
- 14.3C - Connection Boxes (2009 onwards)

- 15.1 - Rear Star Unit (Yr. 2004)
- 15.1A - Rear Star Unit (Yr. 2005)
- 15.1B - Rear Star Unit (2006 onwards)
- 15.1C - Rear Star Unit (2008 onwards)
- 15.2 - Rear Star Unit Drives (up to 2005)
- 15.2A - Rear Star Unit Drives (2006 onwards)
- 15.3 - Stone Hopper

- 16.1 - Stone Rake

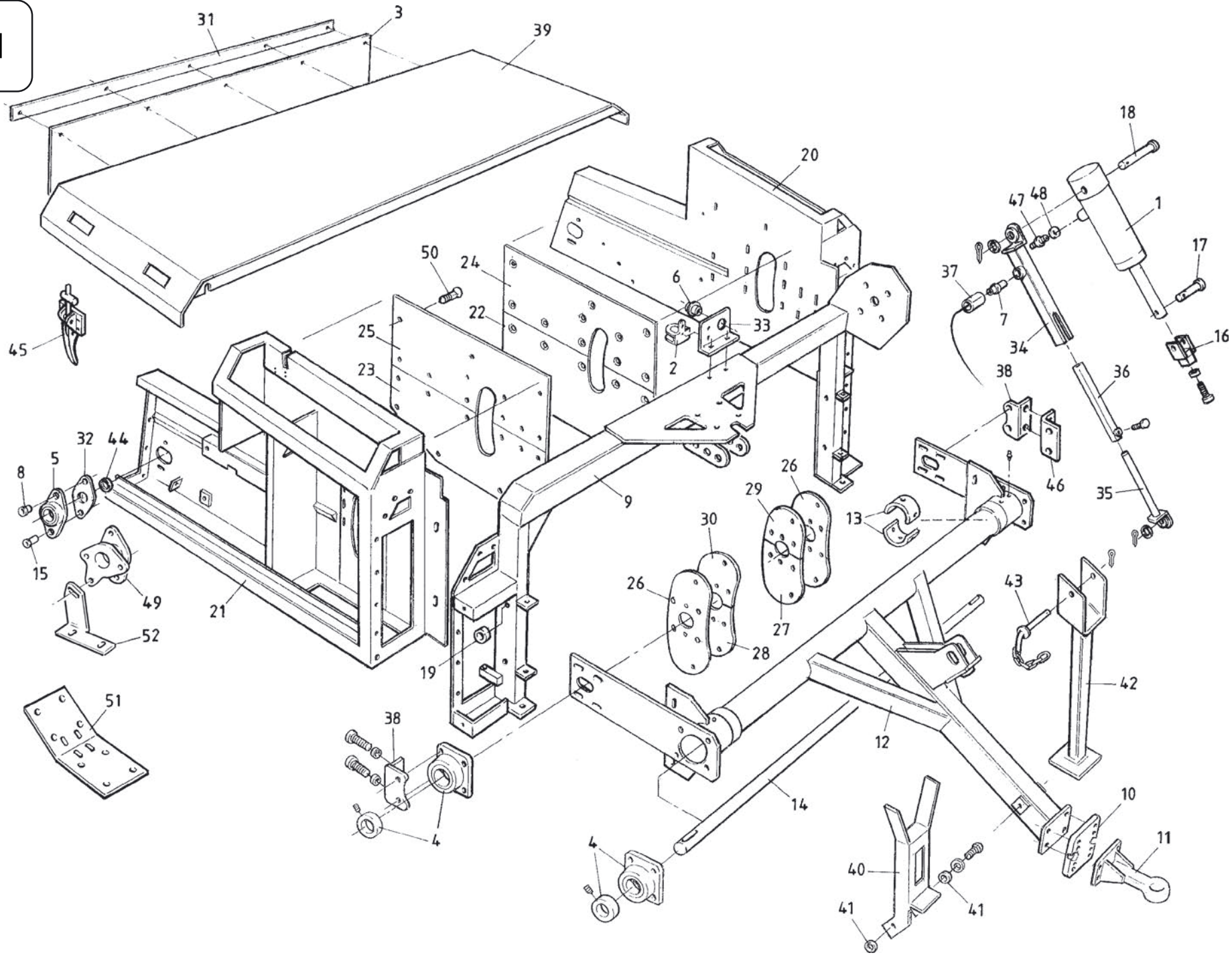
- 17.1 - Scrubber Web (Yr. 2004)
- 17.2 - Scrubber Web (2005 onwards)
- 17.3 - Driven Scrubber Web (Multiweb machines)
- 17.4 - Driven Scrubber Web (Star machines)

- 18.1 - Web Drive Gearbox
- 18.2 - Rotor Drive Gearbox
- 18.3 - Clutch Assembly

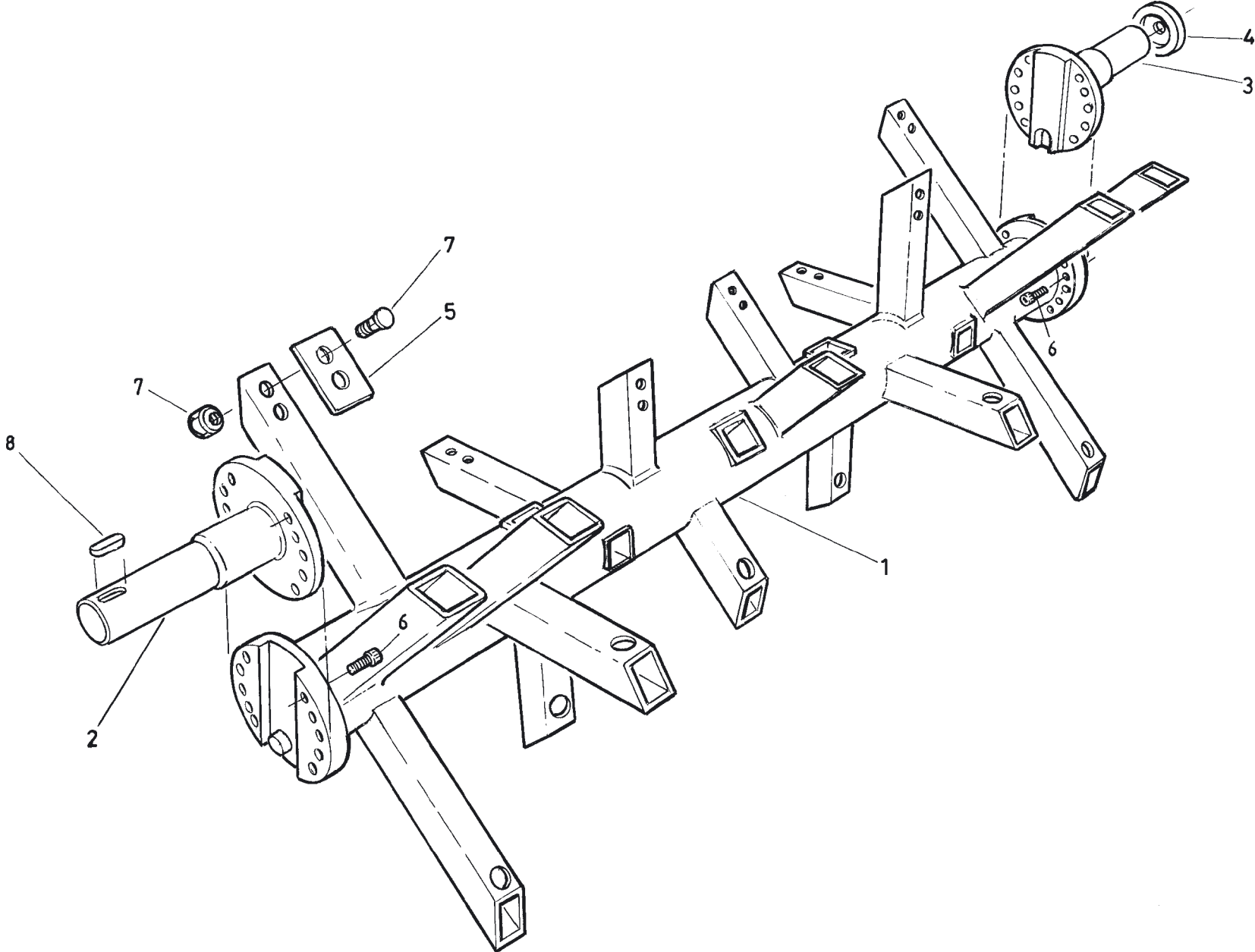
- 19.1 - P.T.O. Shaft

- 20.1 - Decals - Identity
- 20.2 - Decals - Electrical / Hydraulic
- 20.3 - Decals - Information / Warning

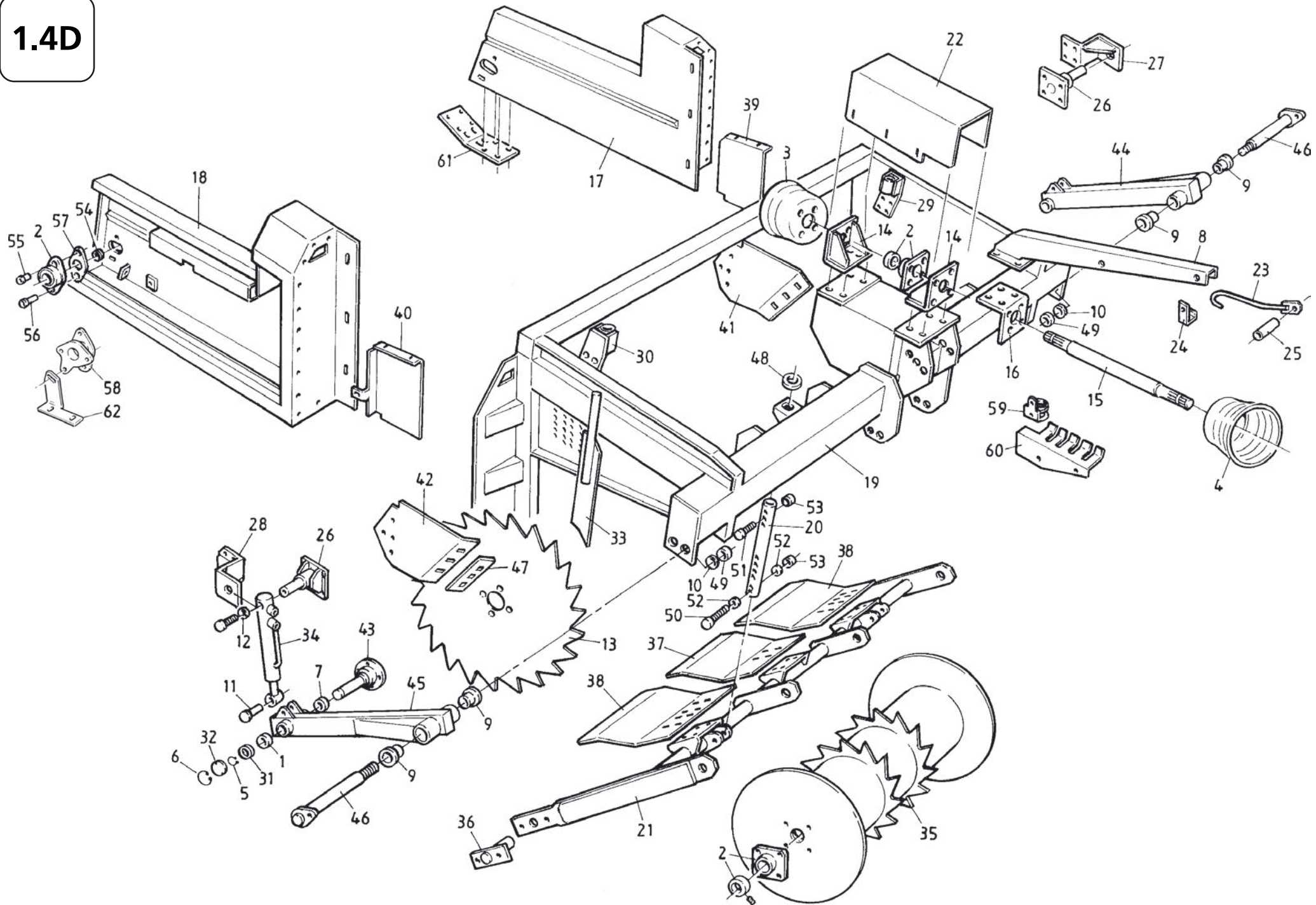
1.1



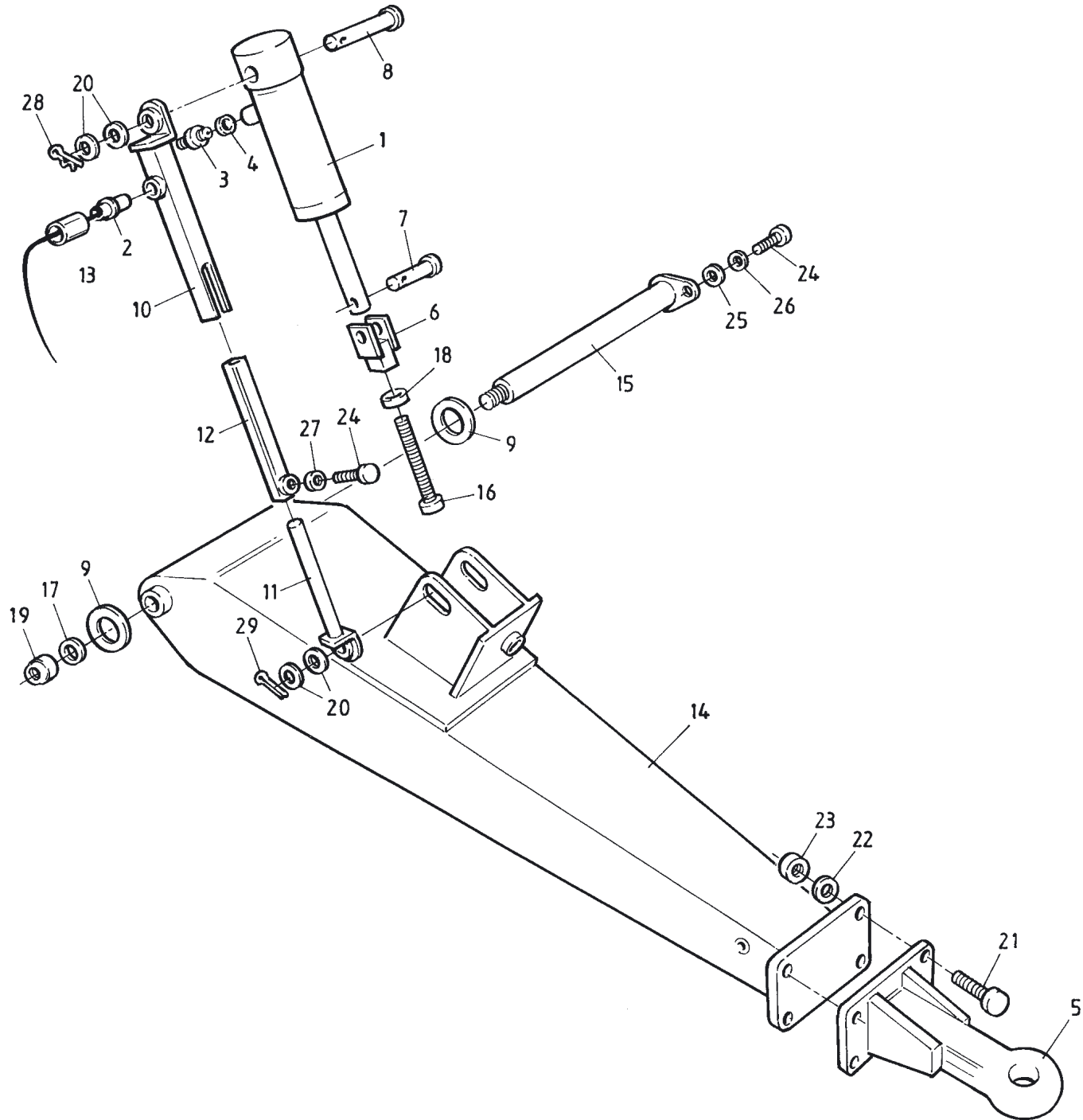
1.2



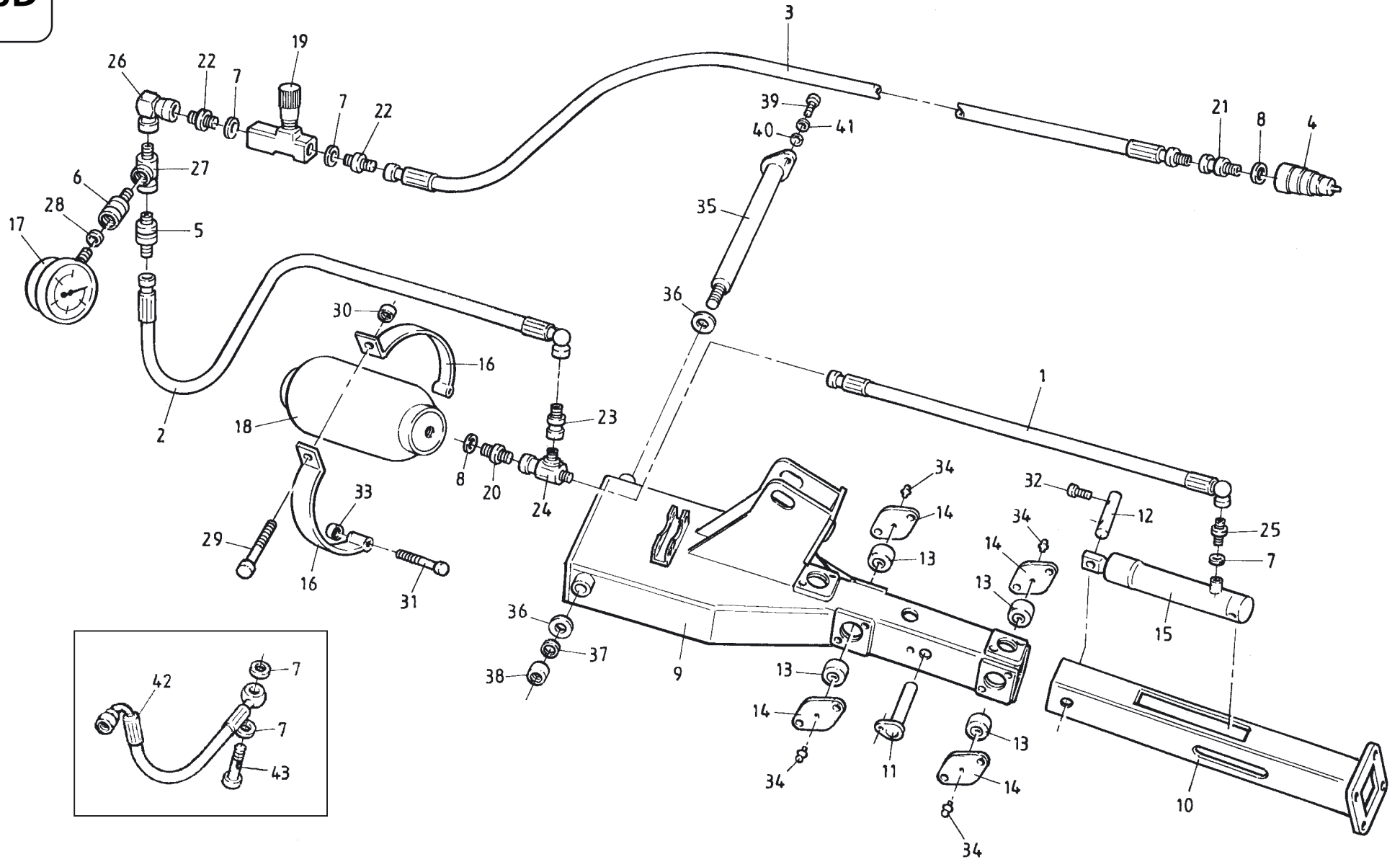
1.4D



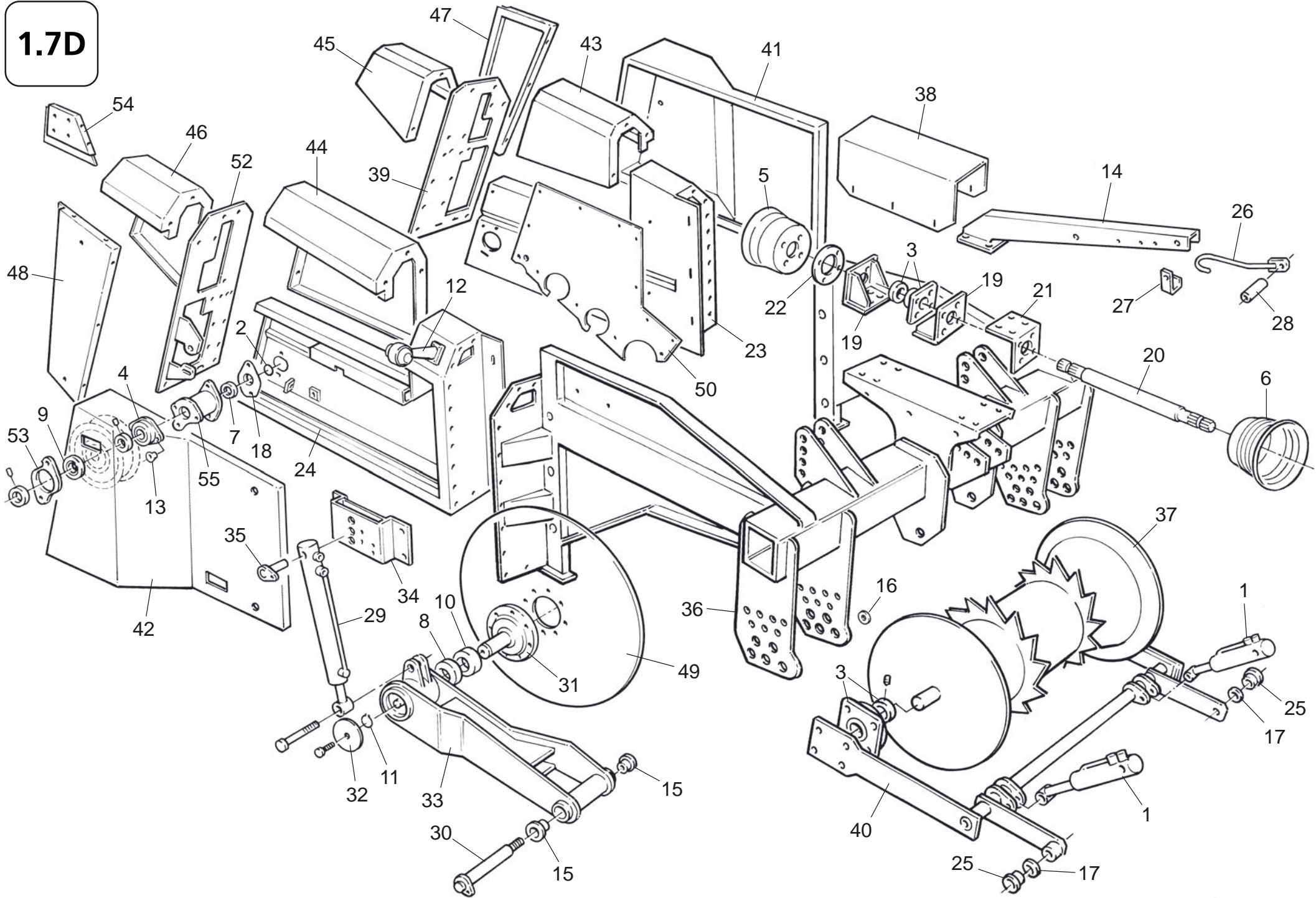
1.5D



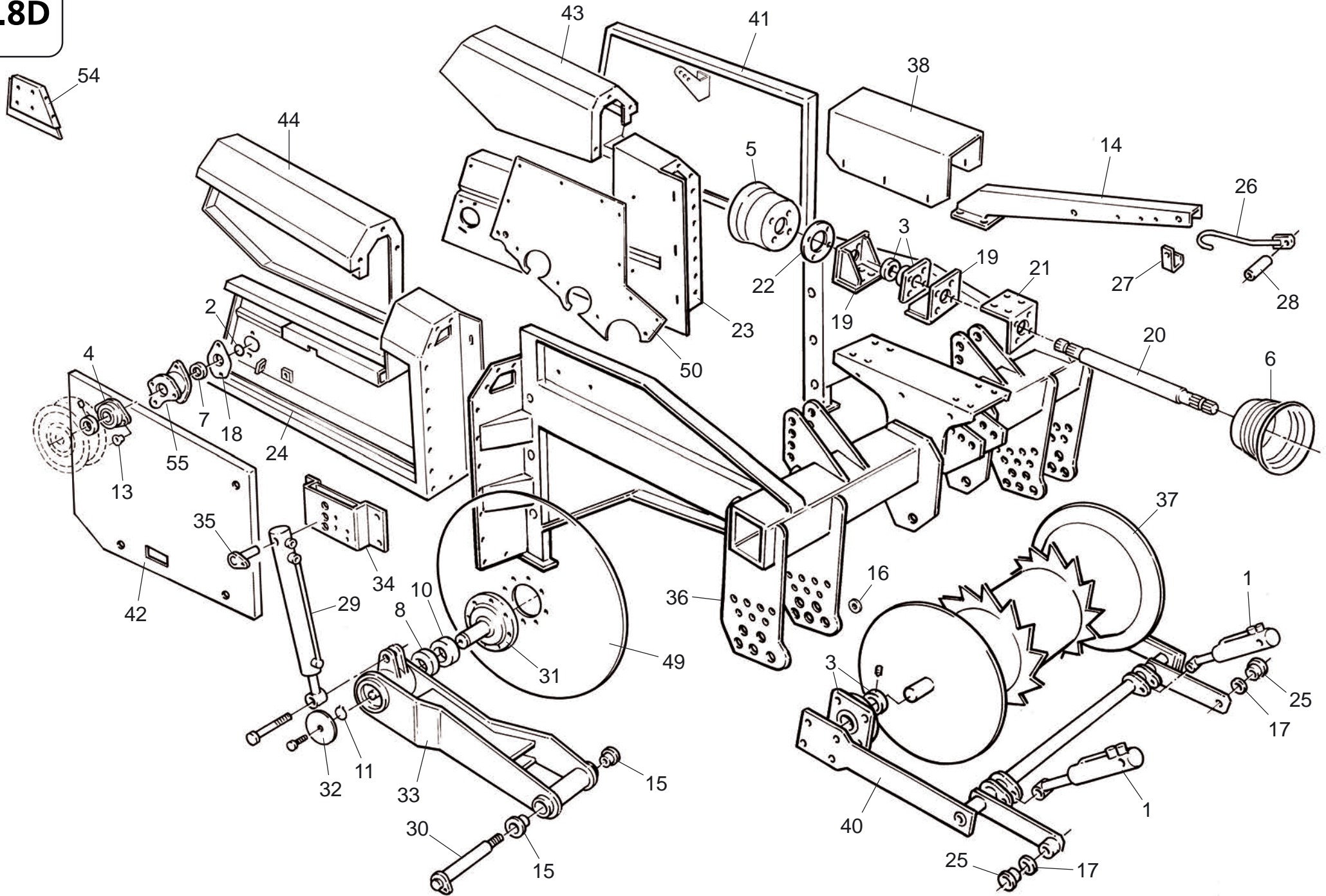
1.6D



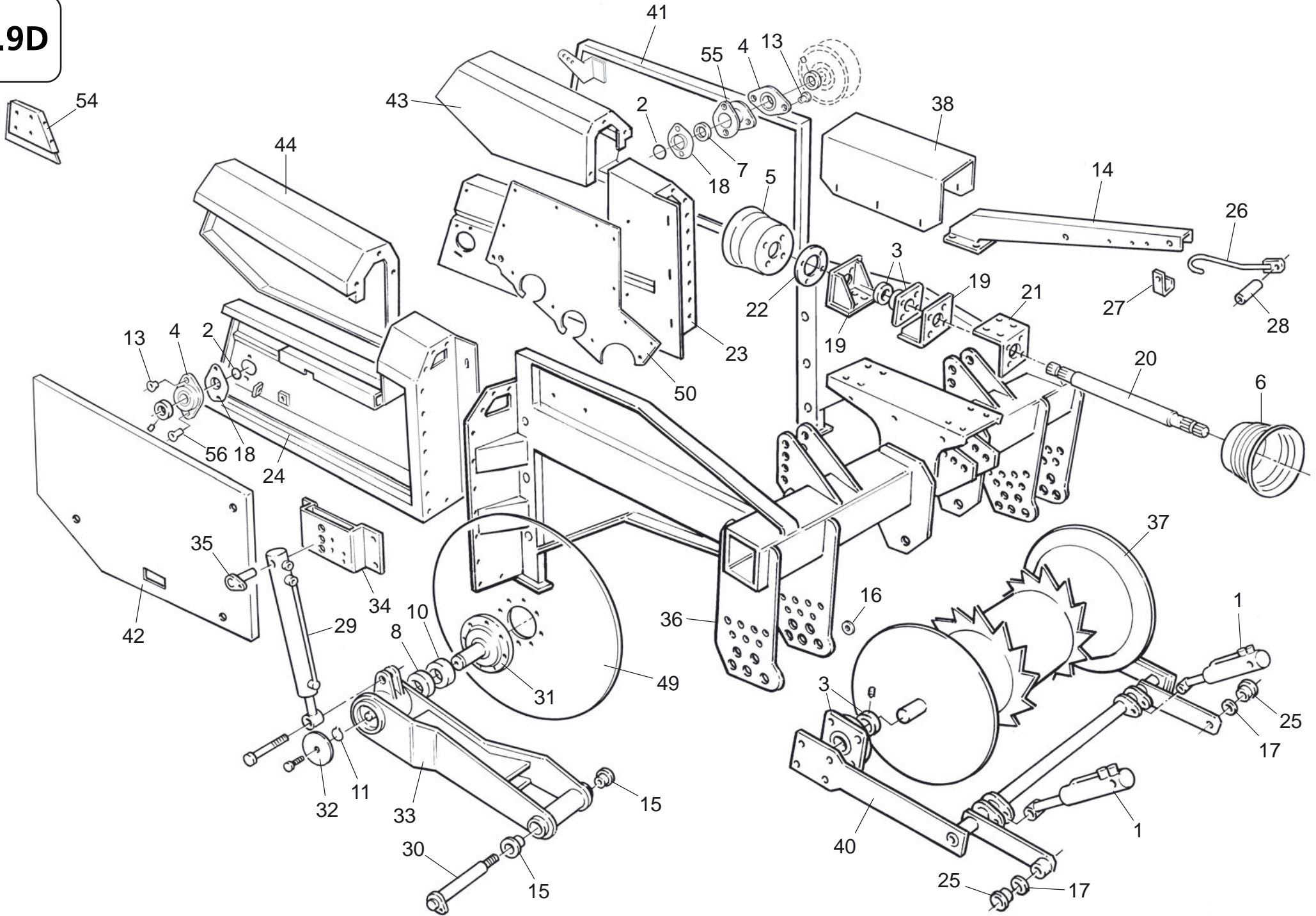
1.7D



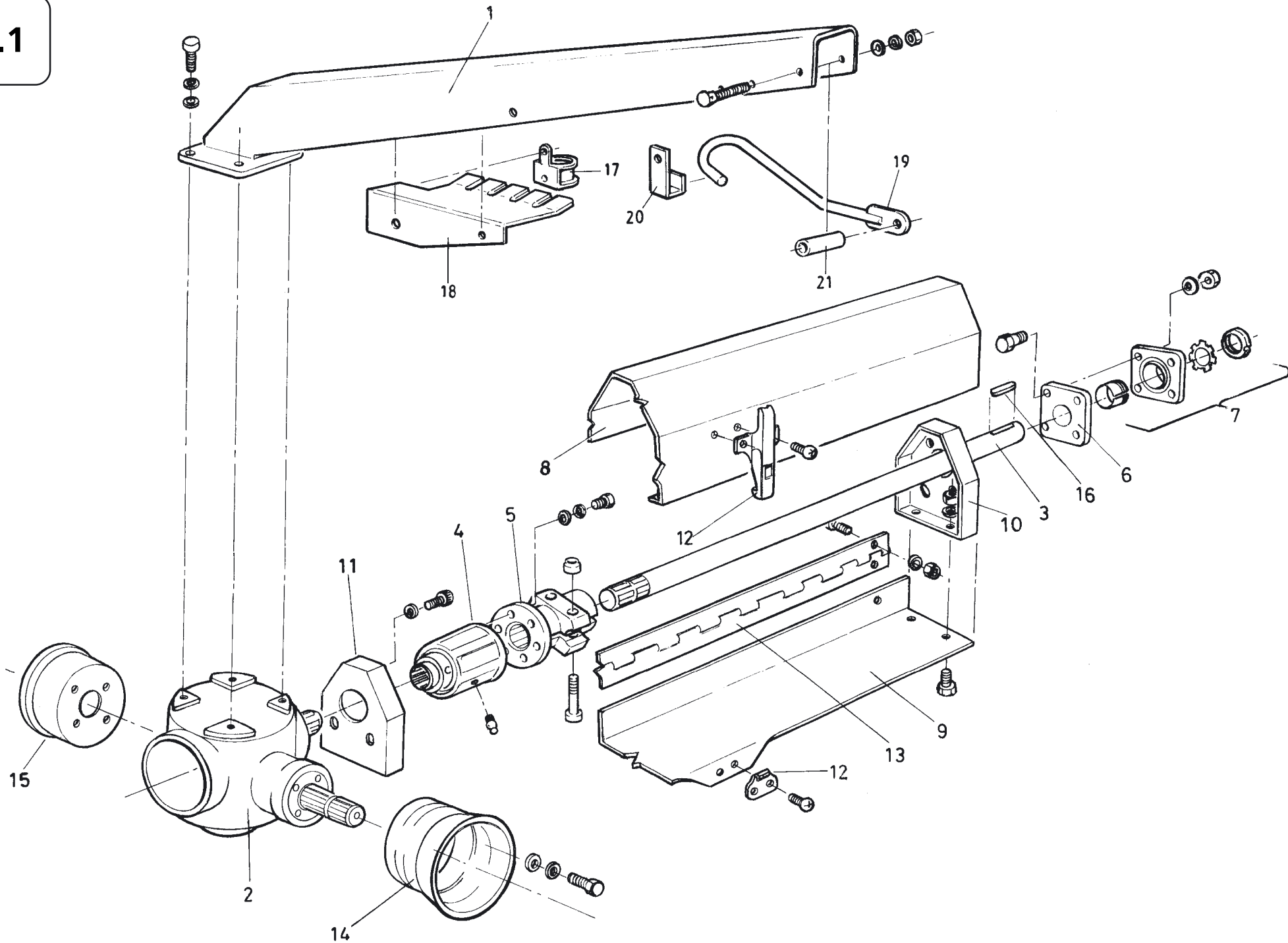
1.8D



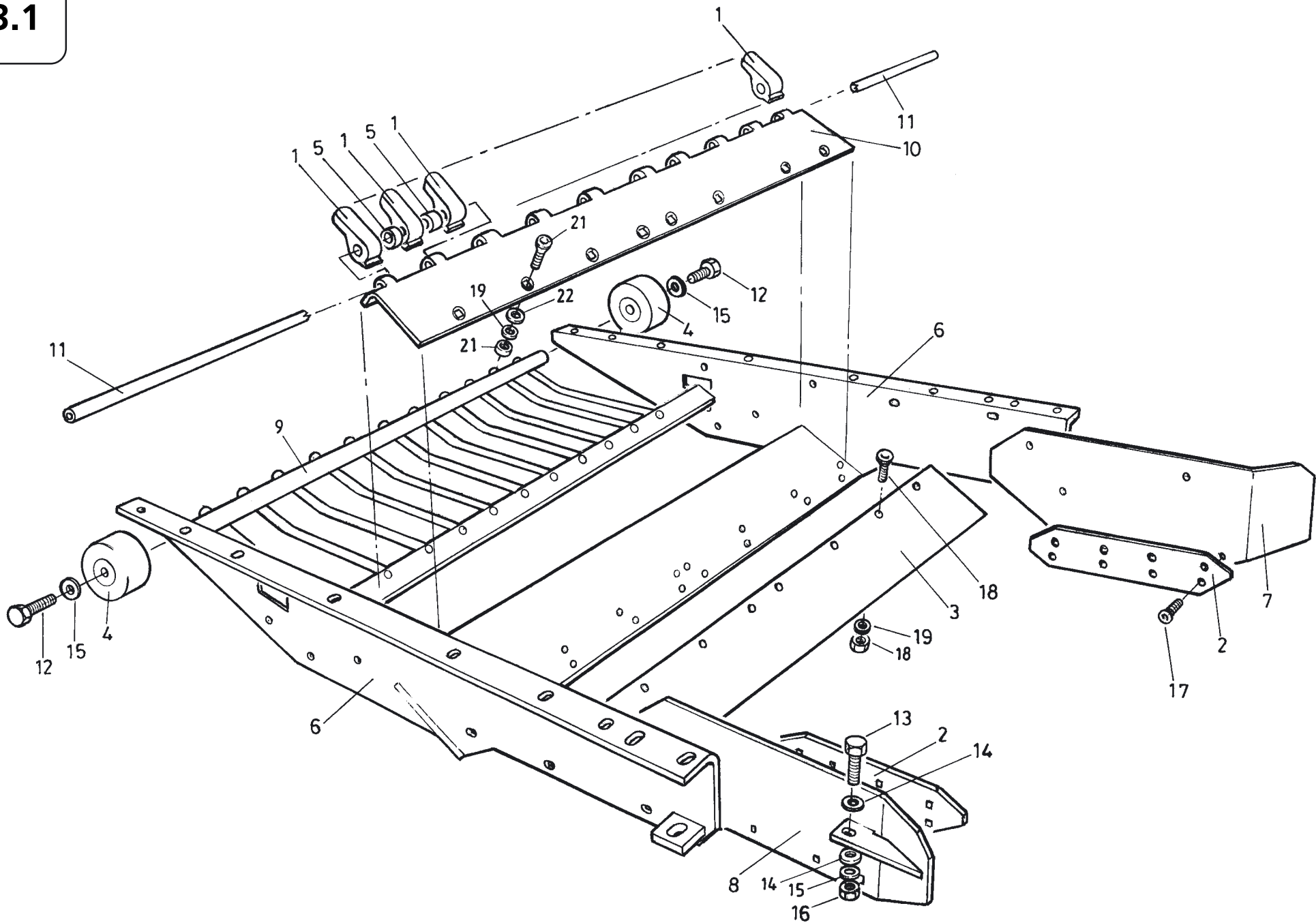
1.9D



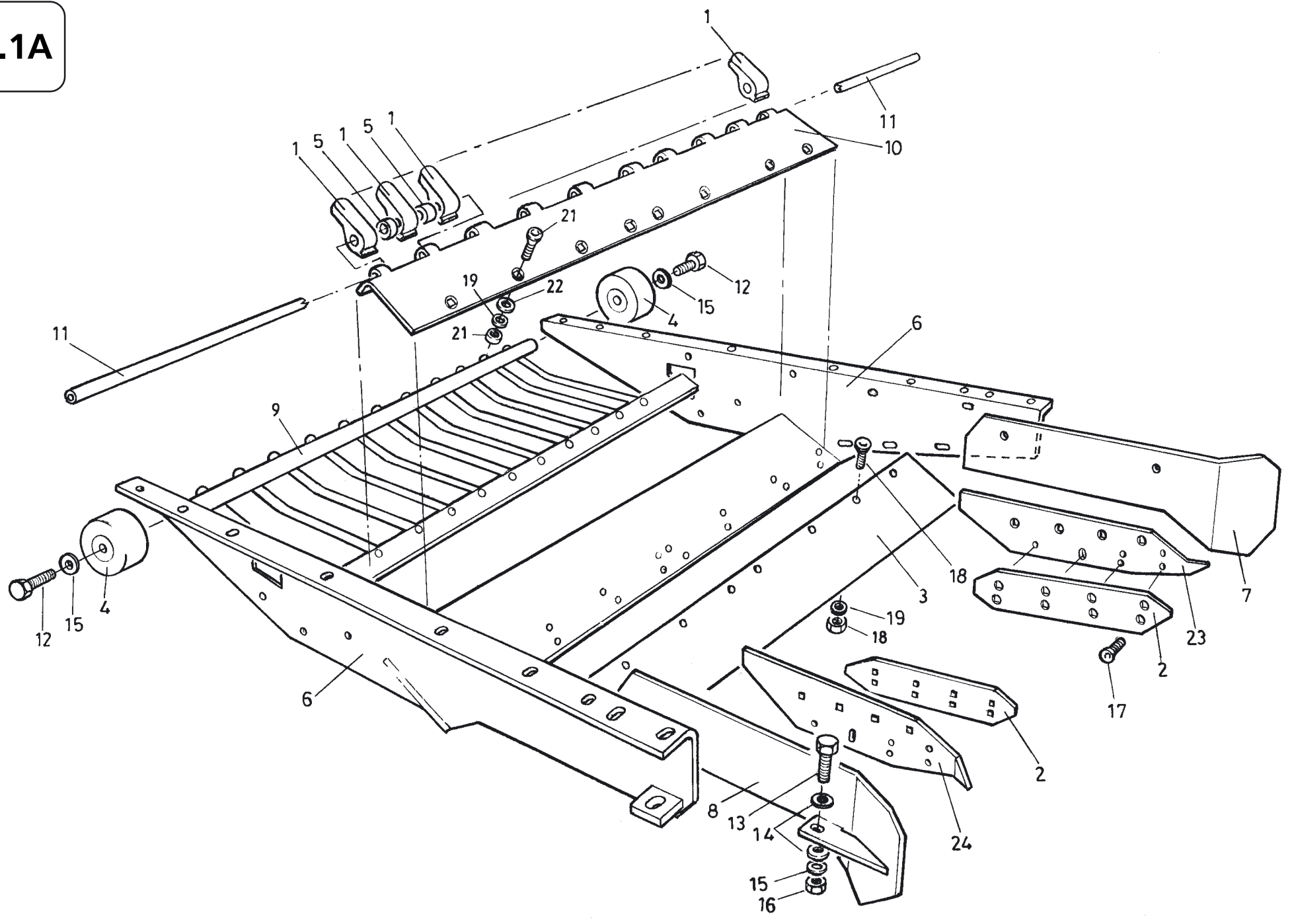
2.1



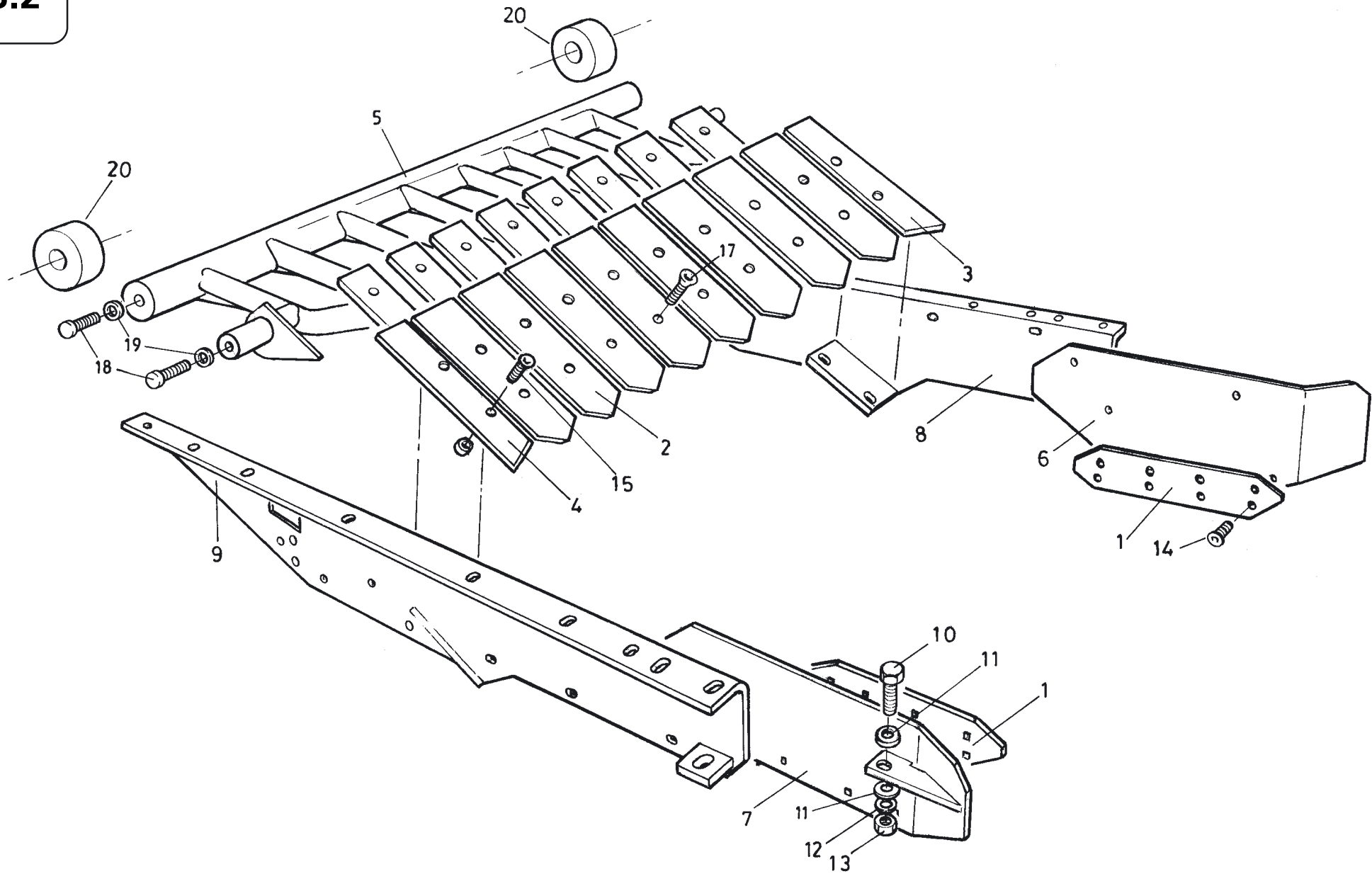
3.1



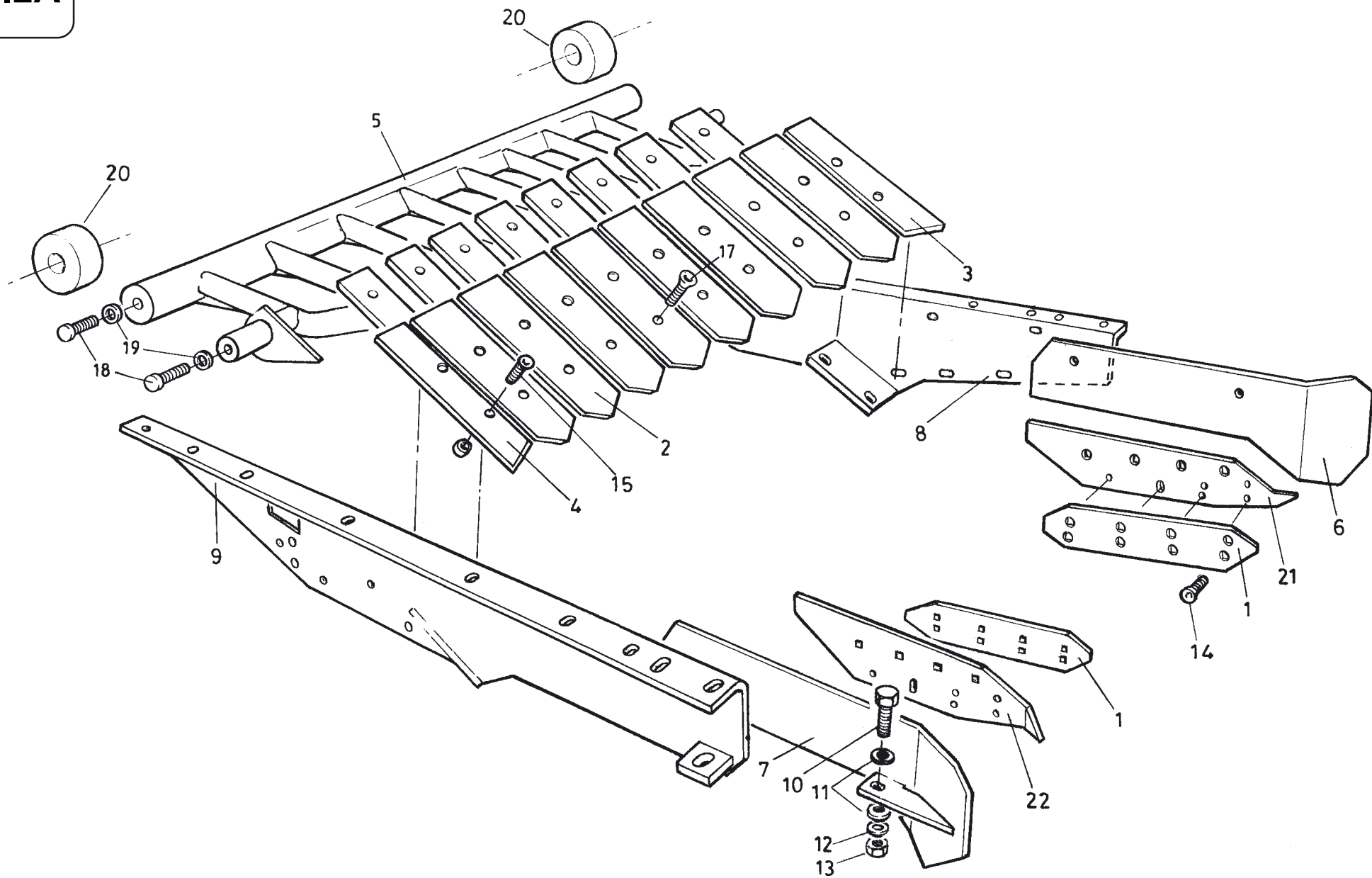
3.1A



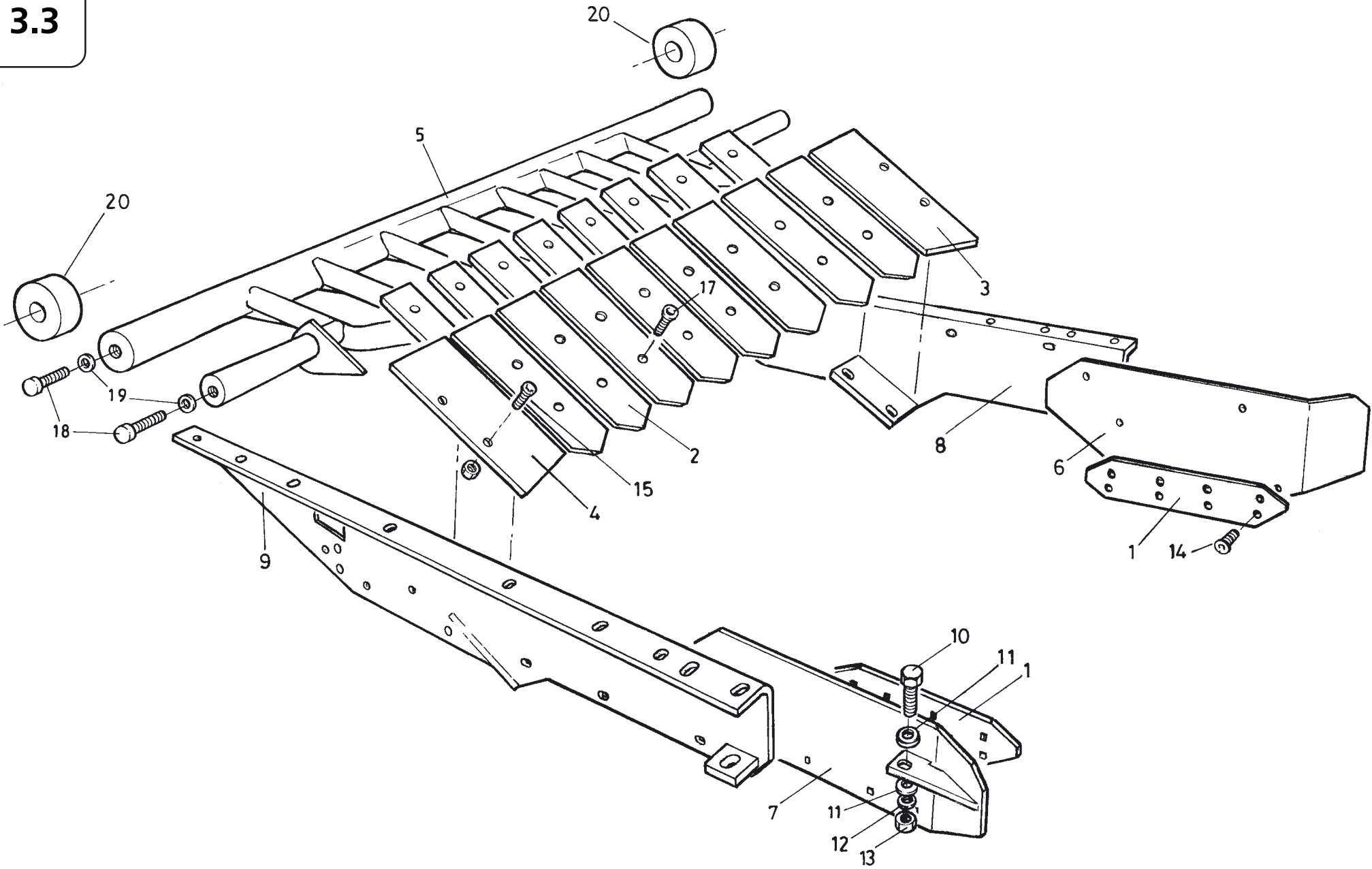
3.2



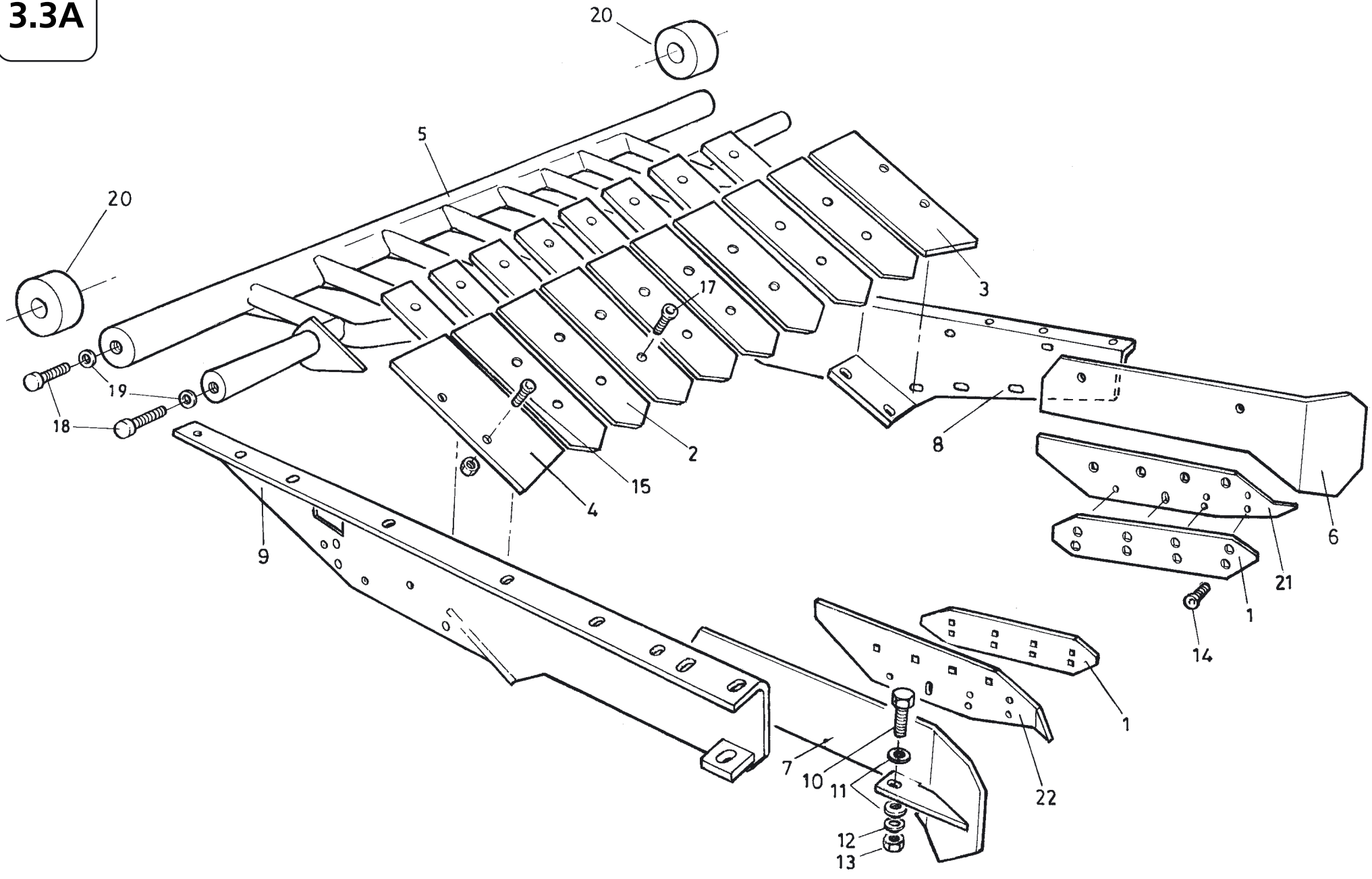
3.2A



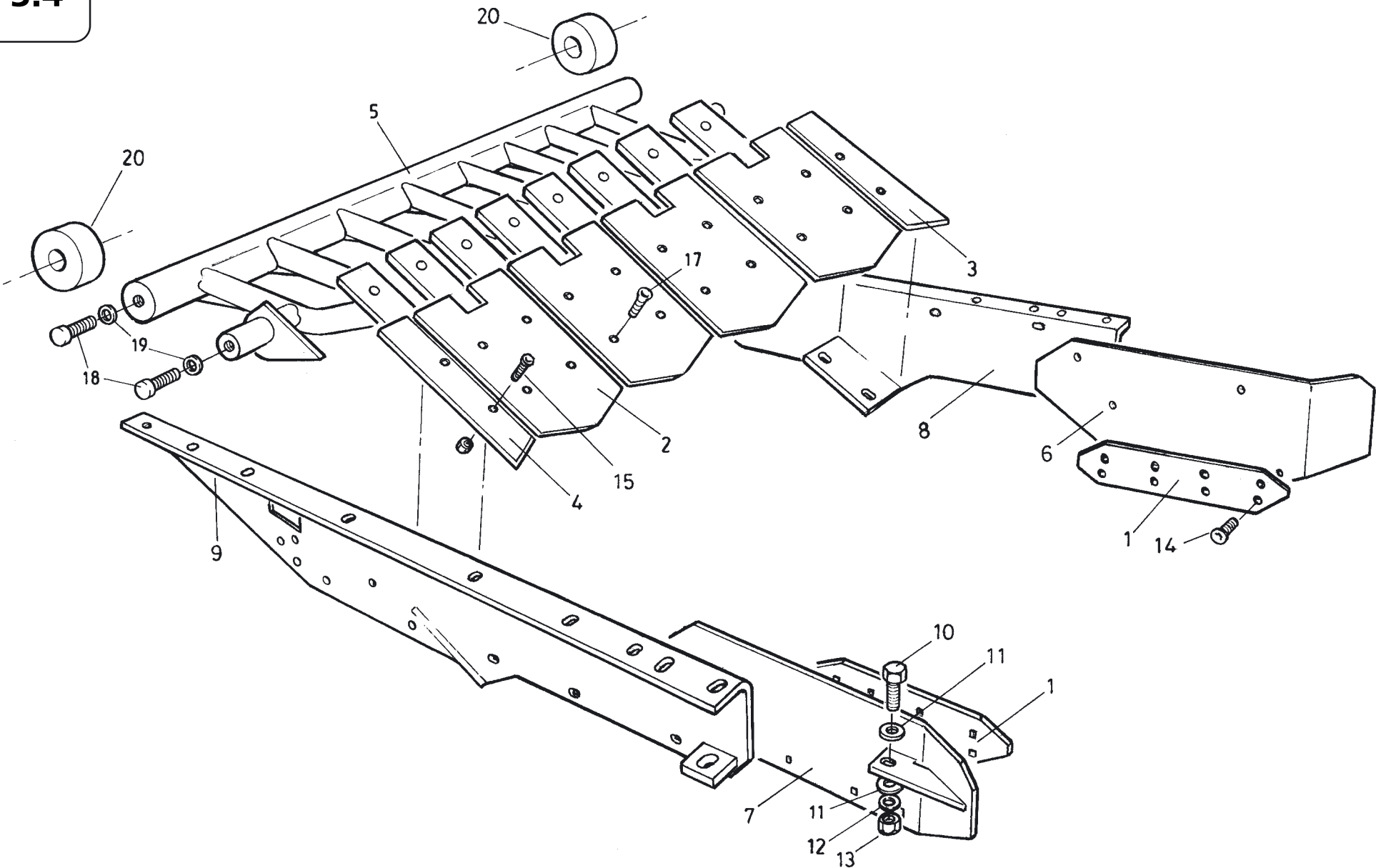
3.3



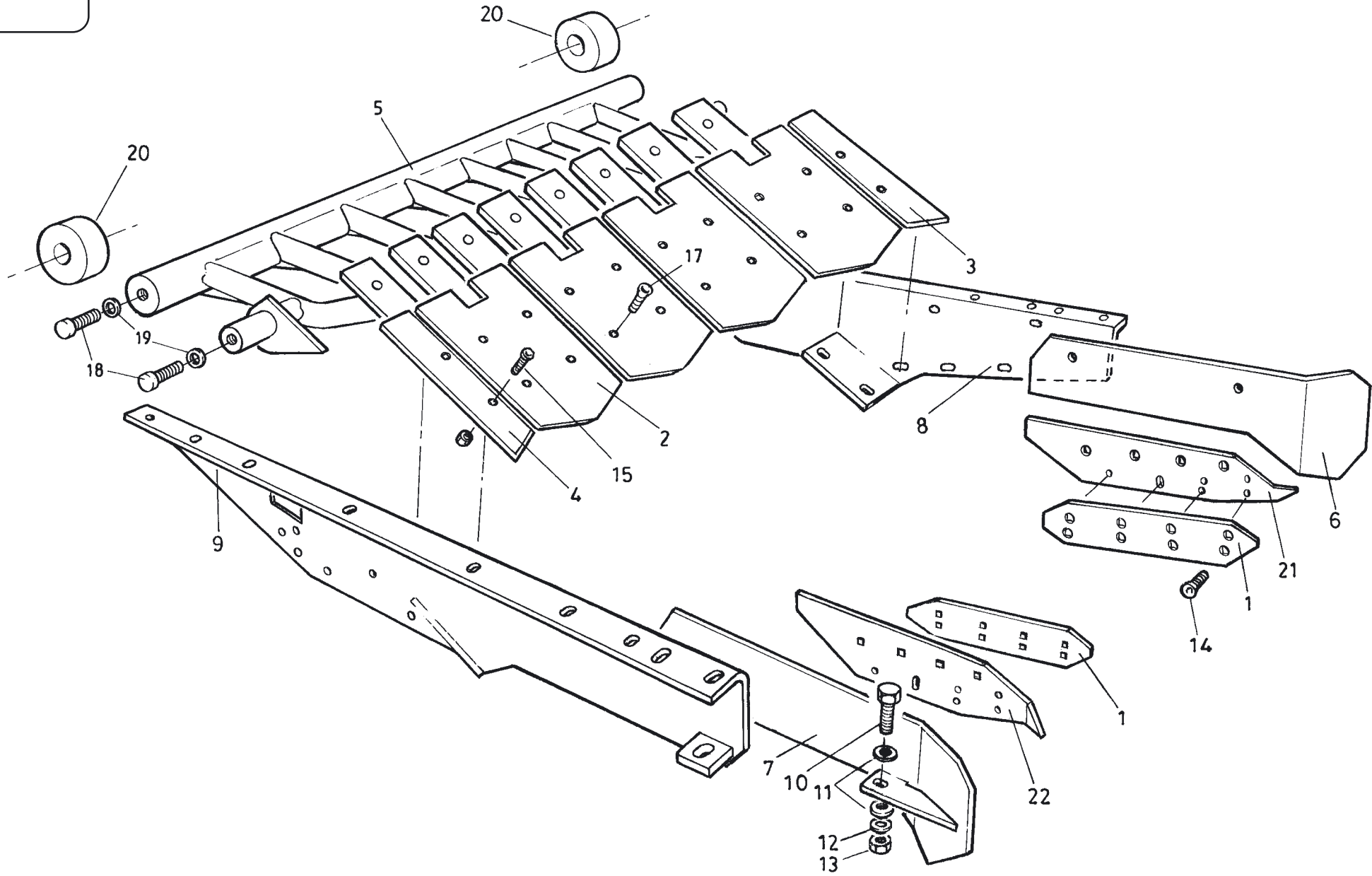
3.3A



3.4



3.4A



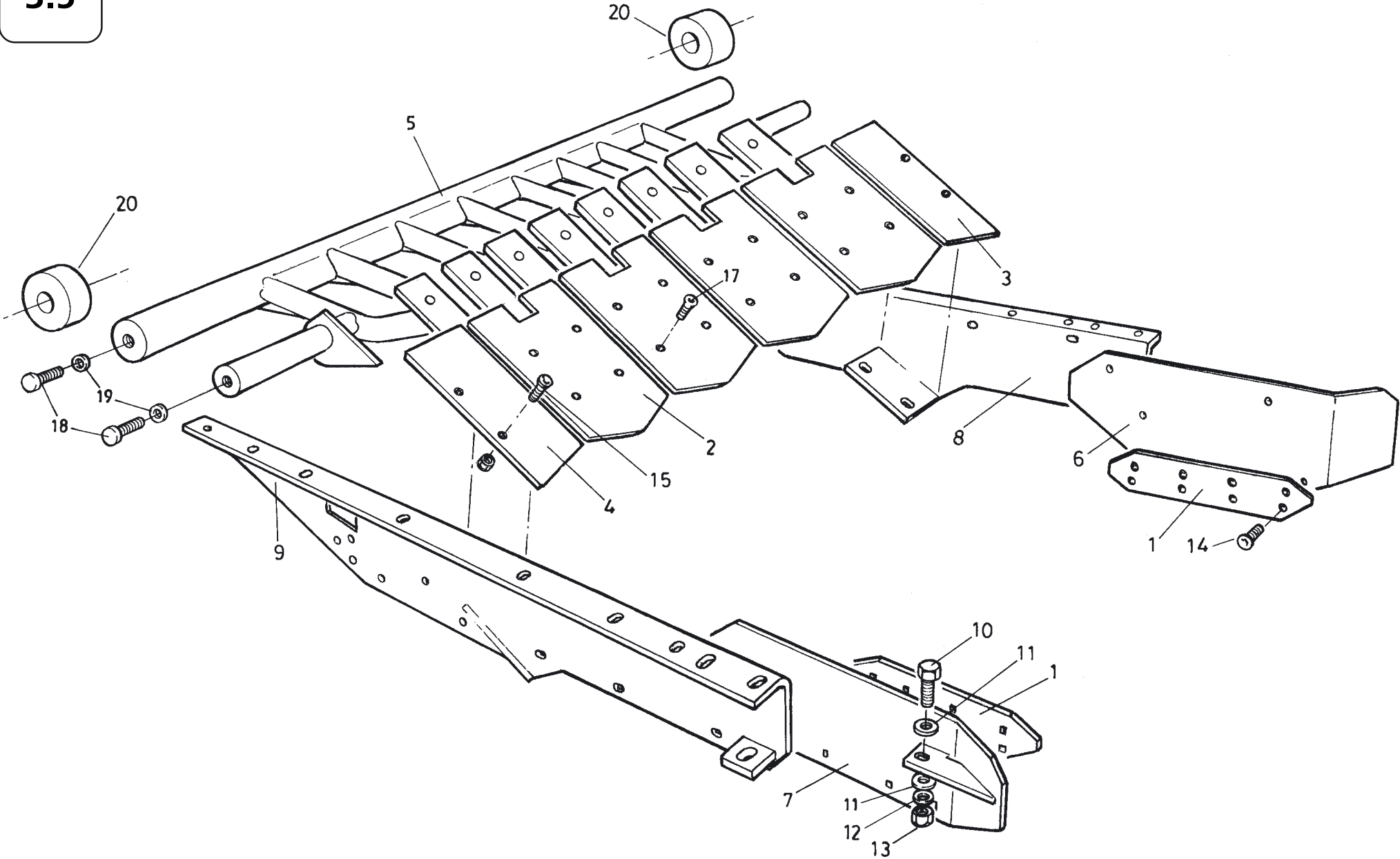
Assembly Group 3.4A - Wide type Multiblade Share - (Narrow machines) (2005 Onwards)

Item	Description	Part No.	Qty.
1	Wear Plate	UN-00252	2
2	Multi-Blade Share Inner Wide	UN-00260	4
3	Multi-Blade Share Outer Narrow LH	UN-00262	1
4	Multi-Blade Share Outer Narrow RH	UN-00263	1
5	Share Frame	UN-10135	1
6	Intake Deflector LH	UN-11080	1
7	Intake Deflector RH	UN-11081	1
8	Share Support LH	UN-10430	1
9	Share Support RH	UN-10435	1
10	Hex Set Screw M16 x 50		2
11	Plain Washer M16		4
12	Spring Washer M16		2
13	Hex Nut M16		2
14	Countersunk Set Screw M10 x 30	UN-00483	8
15	Countersunk Bolt M12 x 40 c/w Nut	UN-00892	4
16	Nut M12		20
17	Countersunk Bolt M12 x 35 c/w Nut	UN-00035	16
18	Set Screw M20 x 55		4
19	Spring Washer M20		4
20	Roller: Rubber, Plain, Wide	UN-03031	2
21	Middle Wear Plate LH	UN-11085	1
22	Middle Wear Plate RH	UN-11086	1

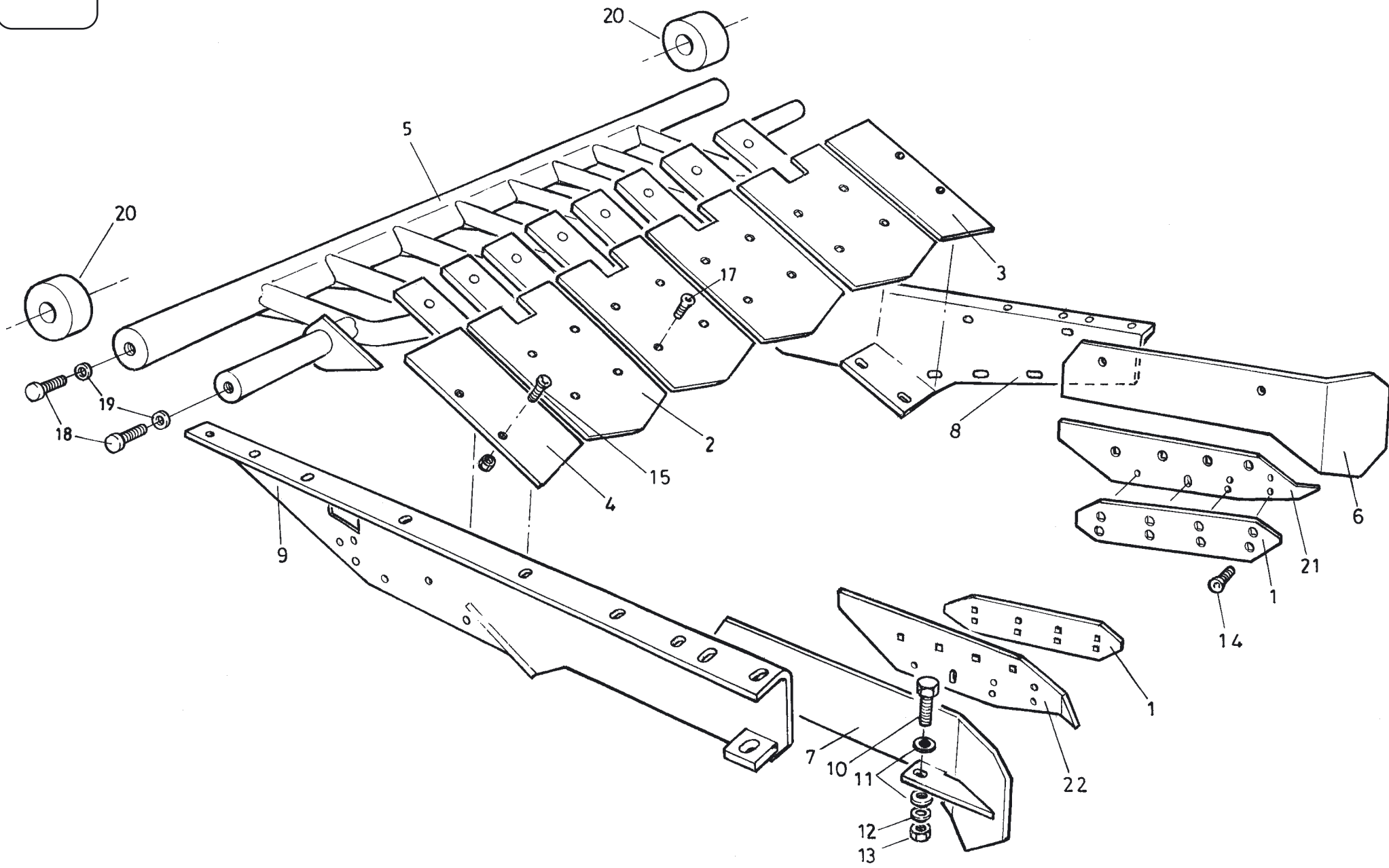
Item	Description	Part No.	Qty.

A/R = As Required NI = Not Illustrated N/A = Not Applicable

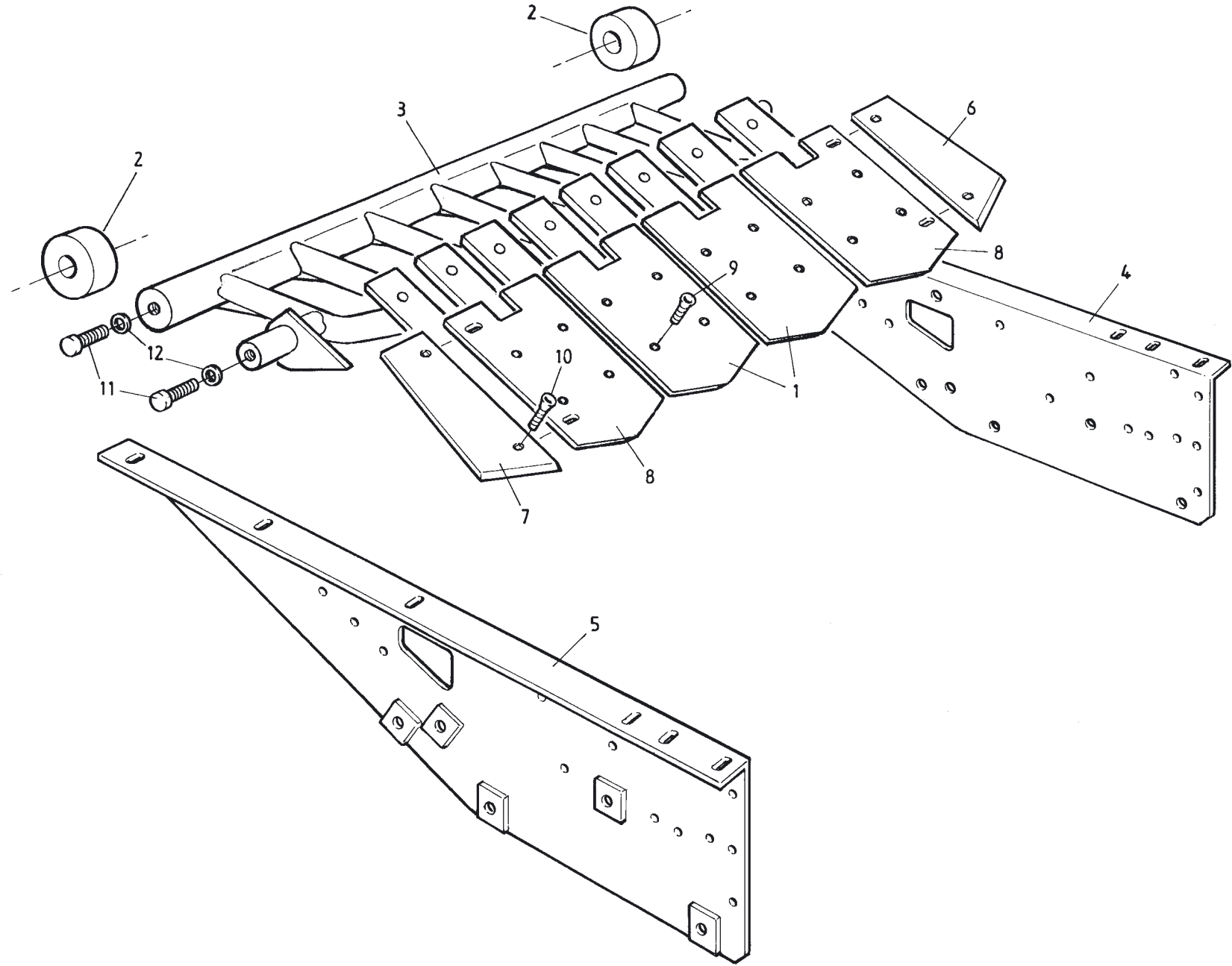
3.5



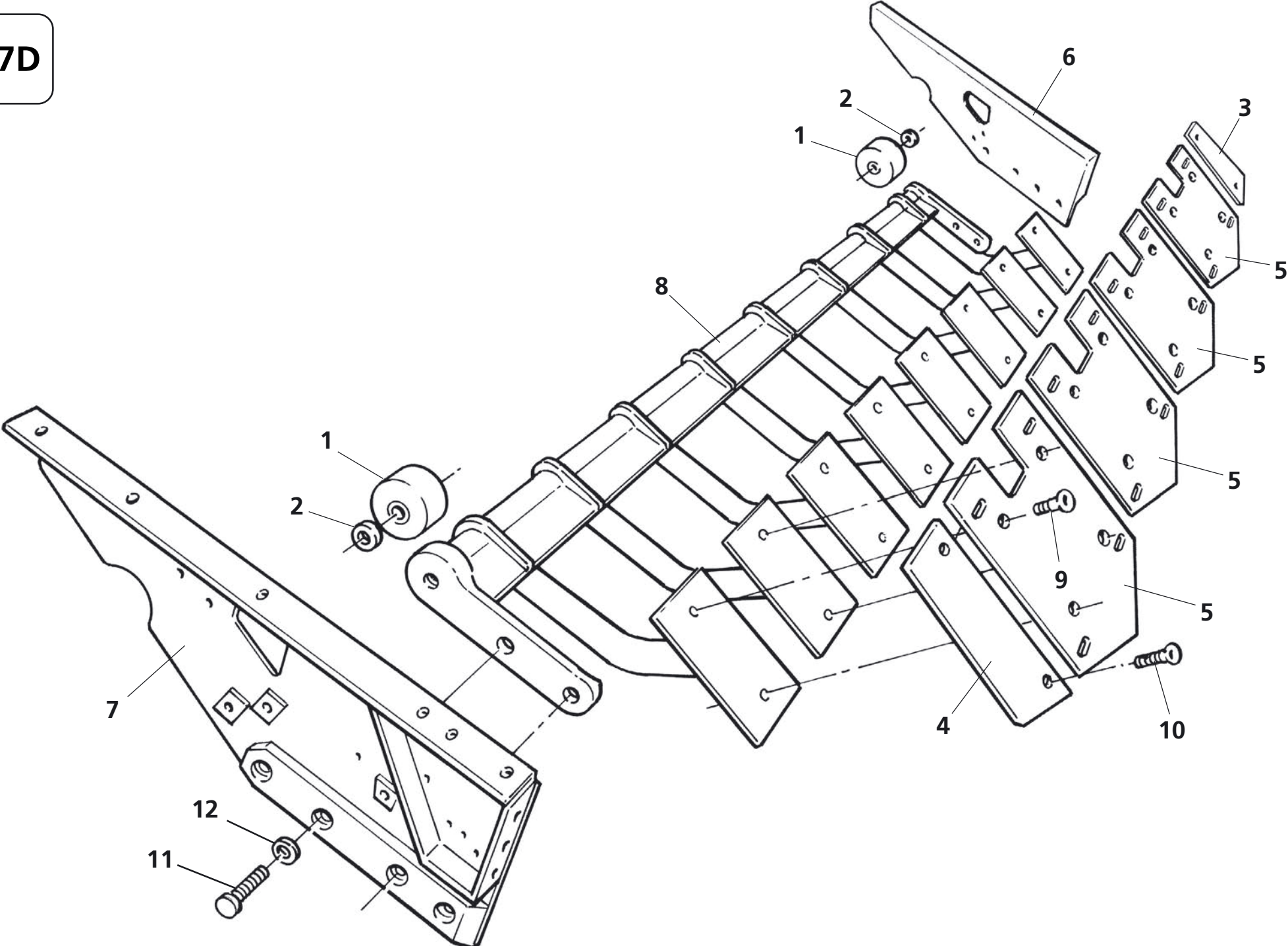
3.5A



3.6D



3.7D

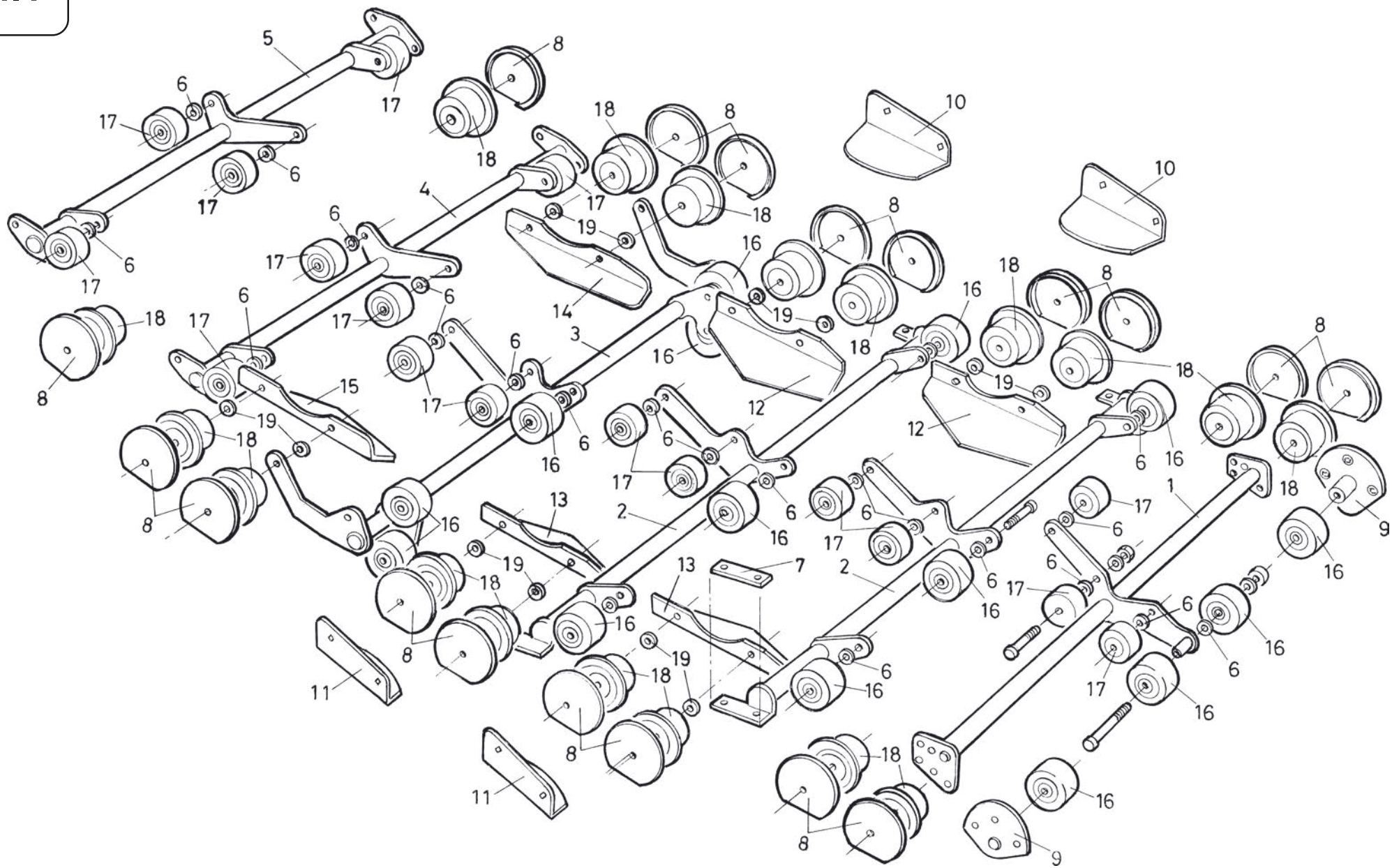


Assembly Group 3.7D - Multiblade Share - (Diablo machines - 2009 Onwards)

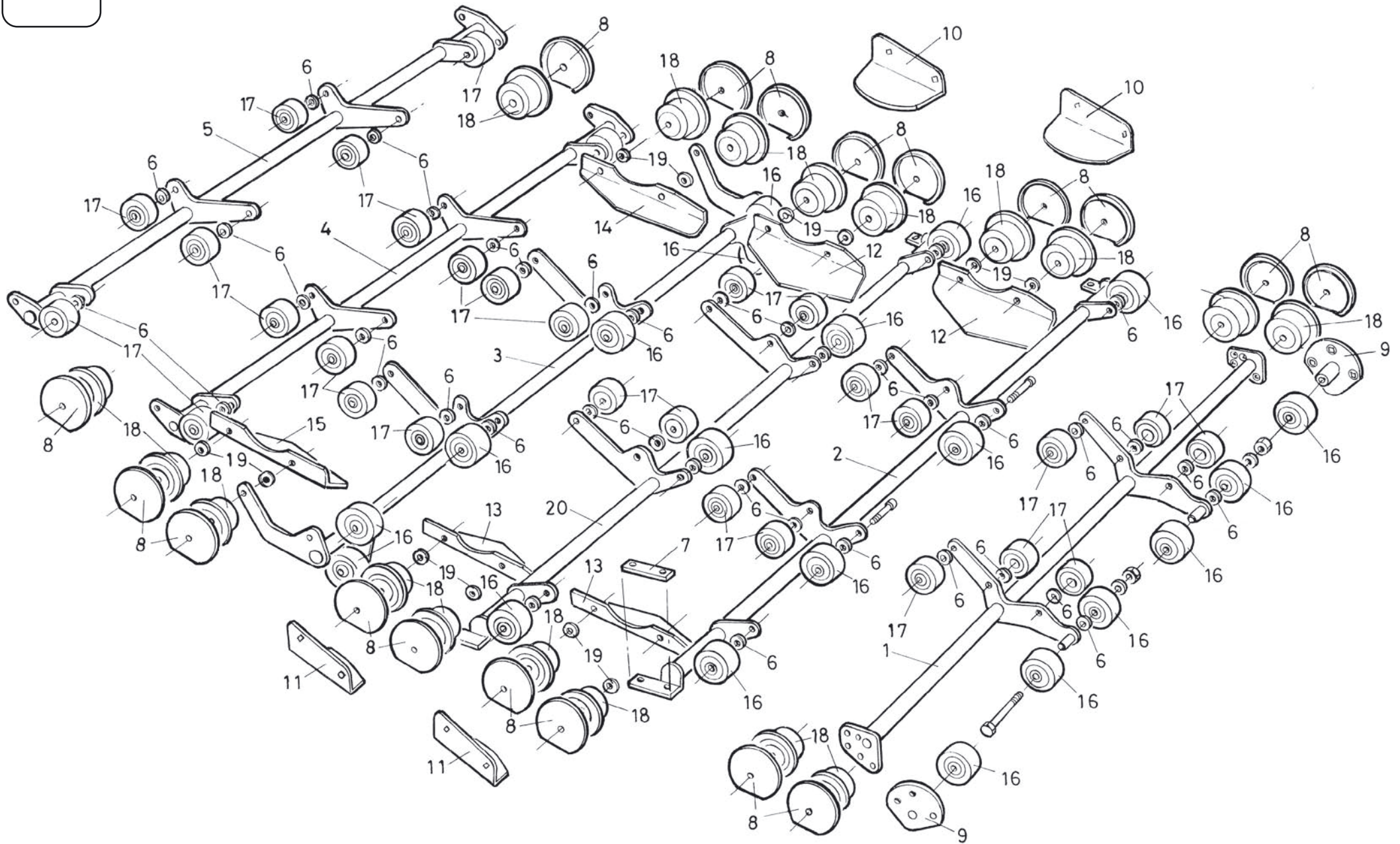
Item	Description	Part No.	Qty.
1	Roller: Rubber, Plain, Wide	UN-03031	2
2	Spacer	UN-10343	2
3	Multi-Blade Share Outer Narrow LH	UN-11454	1
4	Multi-Blade Share Outer Narrow RH	UN-11455	1
5	Outer Share Blade - Diablo	UN-11456	4
6	Share Support LH	UN-12227	1
7	Share Support RH	UN-12228	1
8	Share Frame (Narrow)	UN-12400	1
8	Share Frame (Wide)	UN-12587	1
9	Countersunk Bolt M12 x 35 c/w Nut	UN-00035	12/16
10	Countersunk Bolt M12 x 45 c/w Nut	UN-00714	4
11	Set Screw M20 x 55		6
12	Spring Washer M20		6

Item	Description	Part No.	Qty.

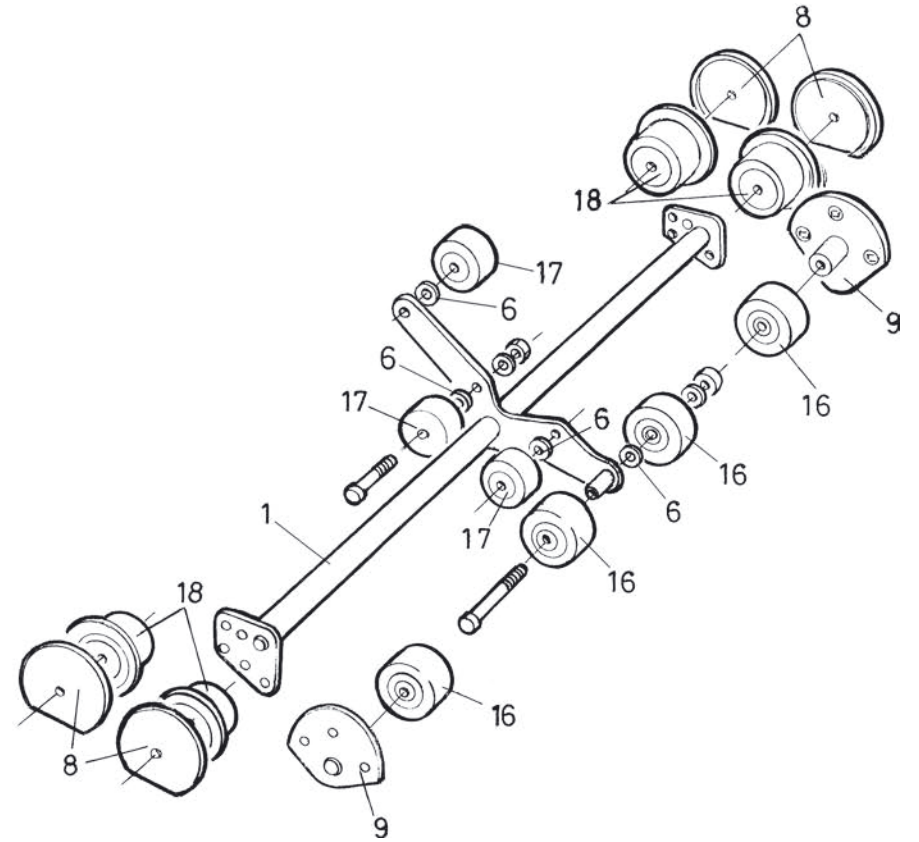
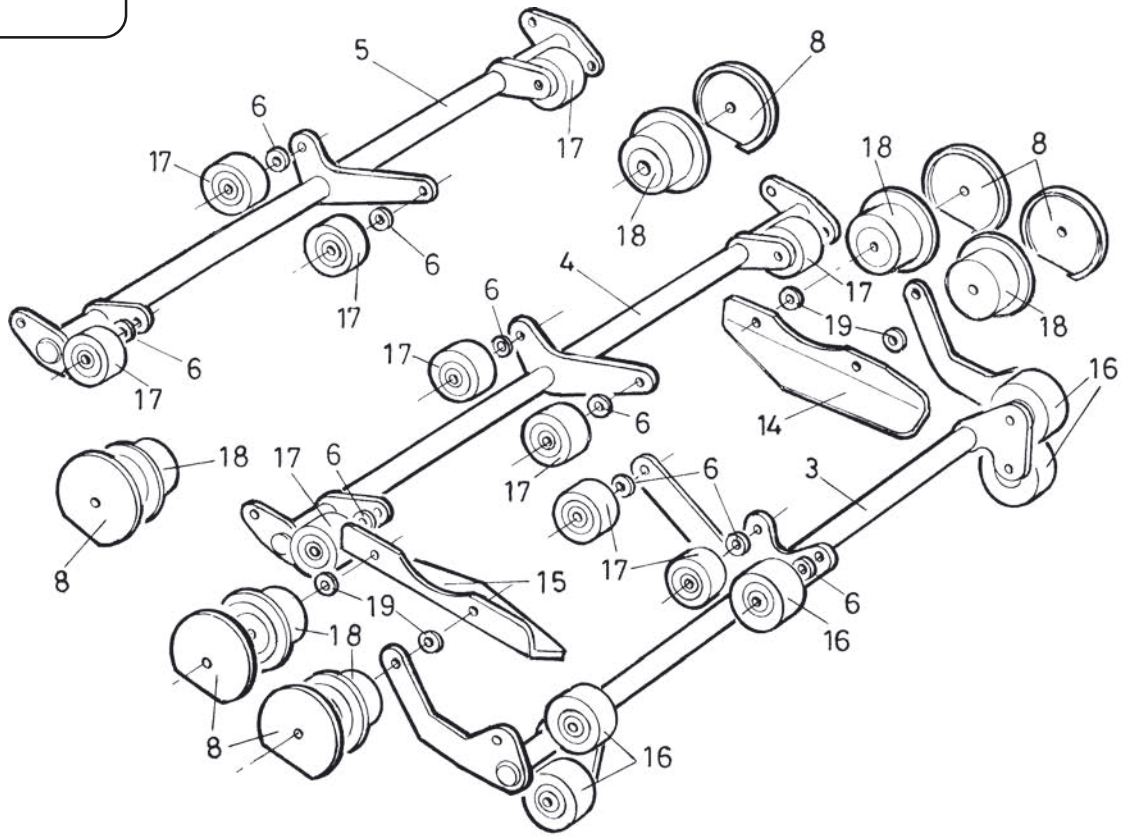
4.1



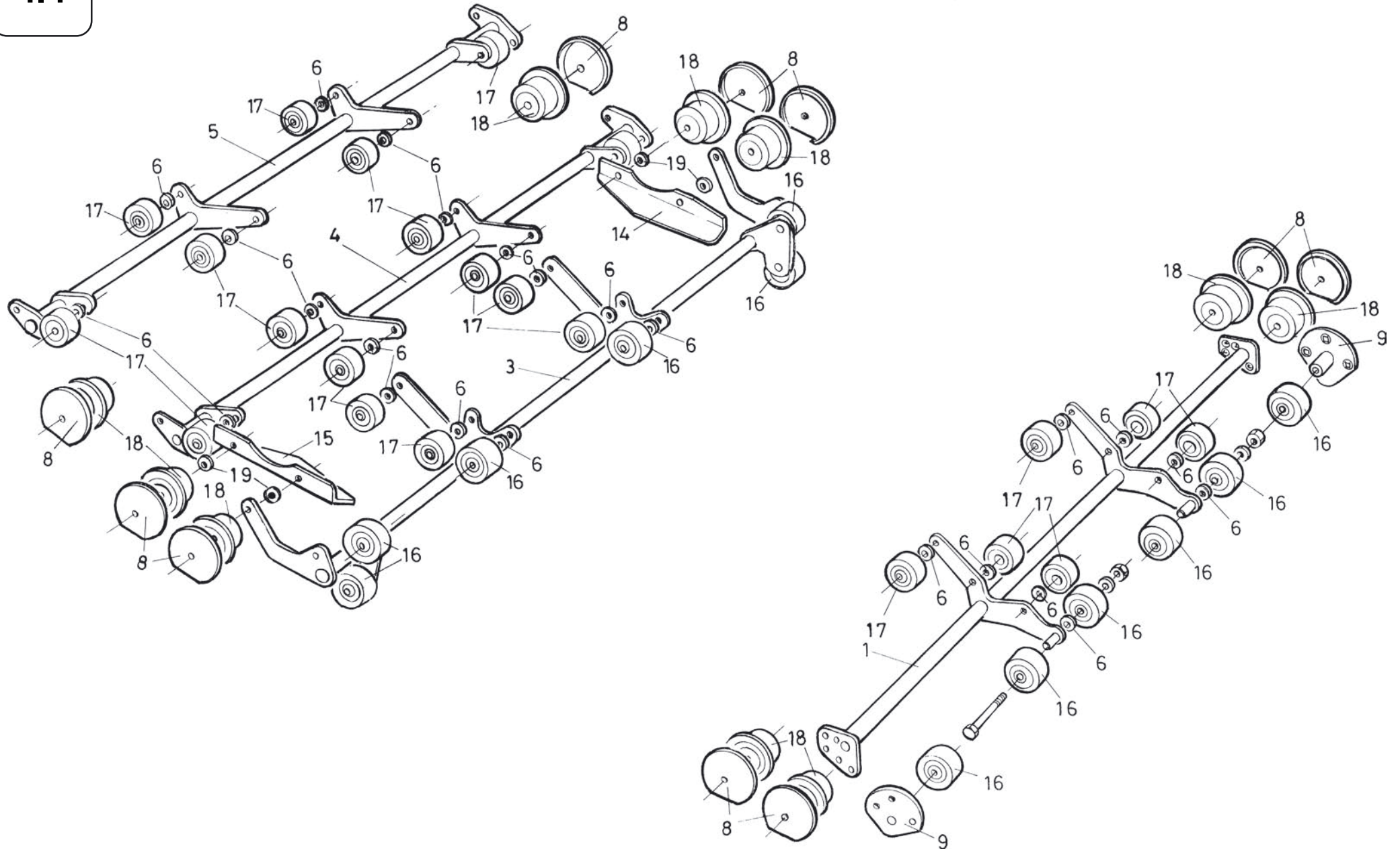
4.2



4.3



4.4



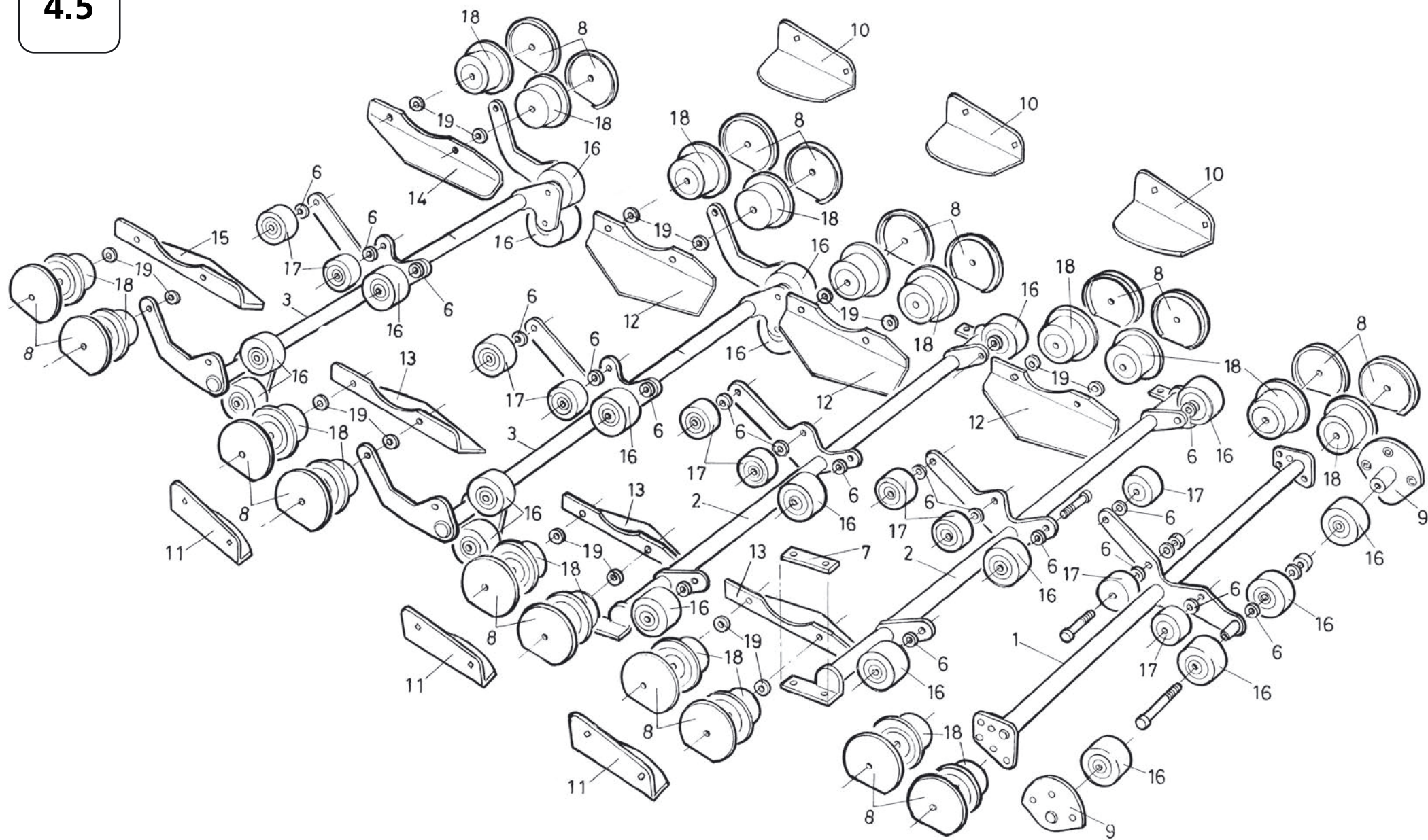
Assembly Group 4.4 - Roller Carrier Frames (Wide Star machines)

Item	Description	Part No.	Qty.
1	Roller Carrier Frame	UN-10318	1
3	Roller Carrier Frame	UN-10332	1
4	Roller Carrier Frame	UN-10337	1
5	Roller Carrier Frame	UN-10346	1
6	Spacer	UN-10343	30
8	Grit Cover	UN-10266	10
9	Grit Cover	UN-10499	2
14	Deflector	UN-10507	1
15	Deflector	UN-10508	1
16	Roller: Rubber, Large Dia., No Flange	UN-03040	12
17	Roller: Rubber, Plain, Narrow	UN-03038	22
18	Roller: Rubber, Flanged	UN-03030	10
19	Washer	UN-10480	4

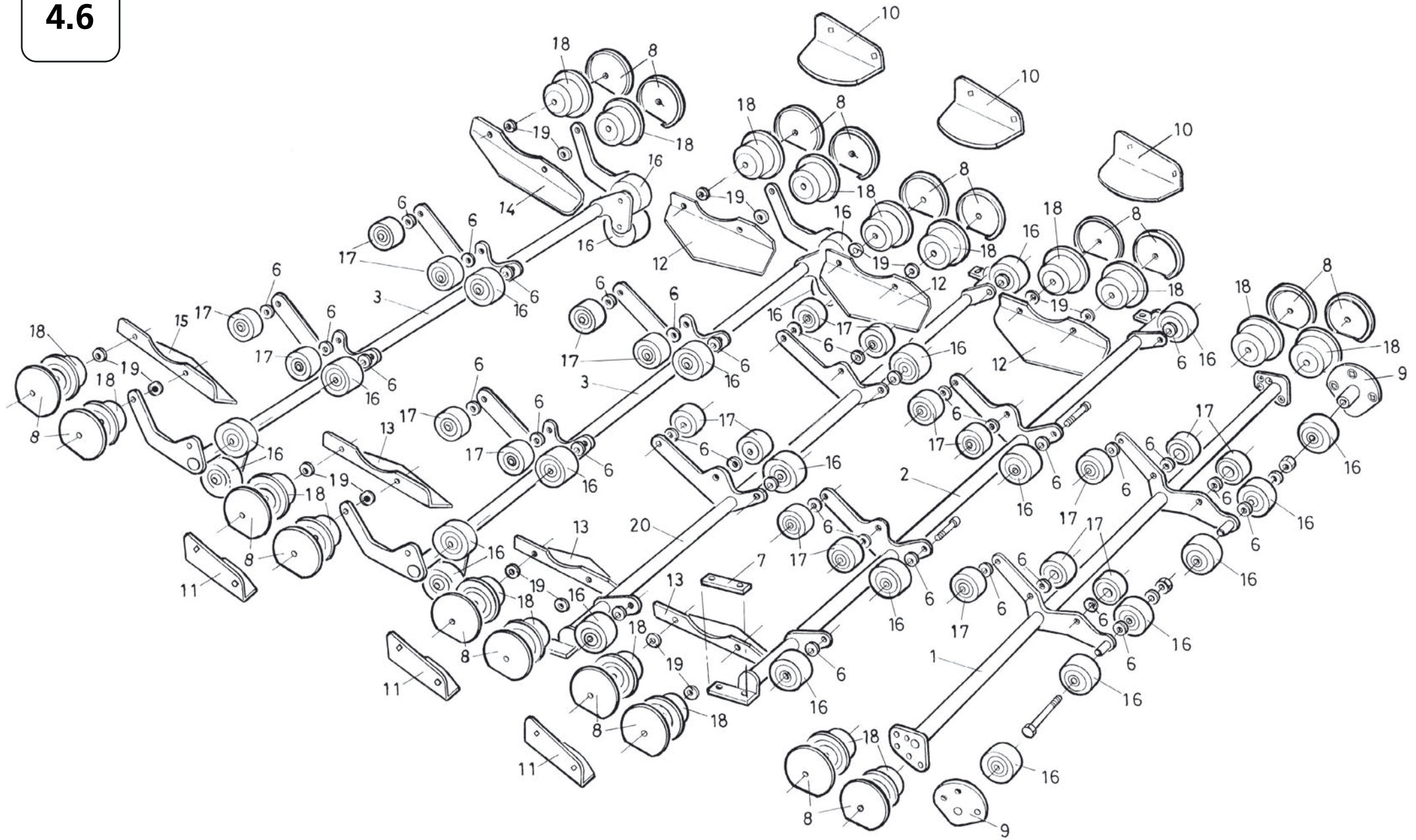
Item	Description	Part No.	Qty.

A/R = As Required NI = Not Illustrated N/A = Not Applicable

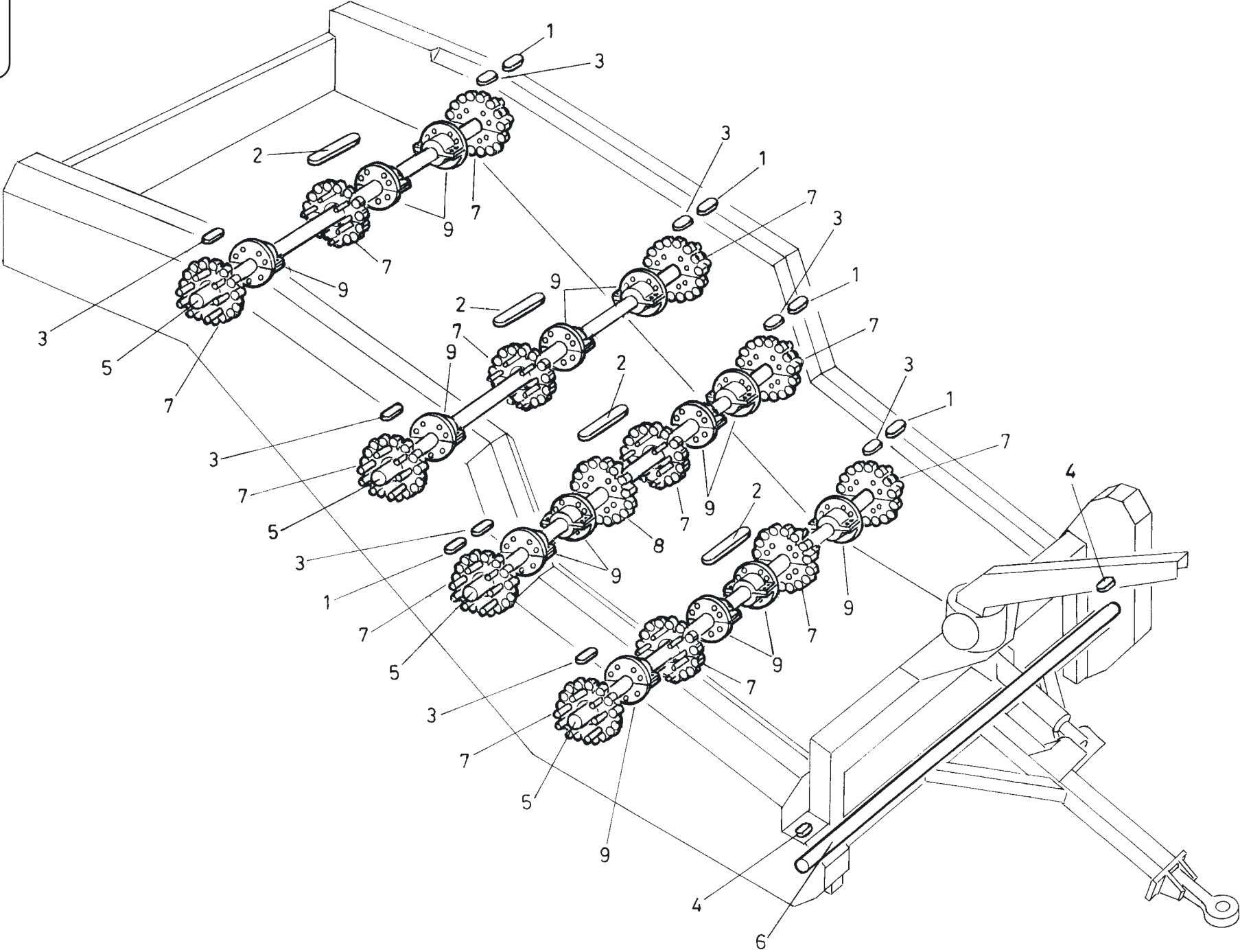
4.5



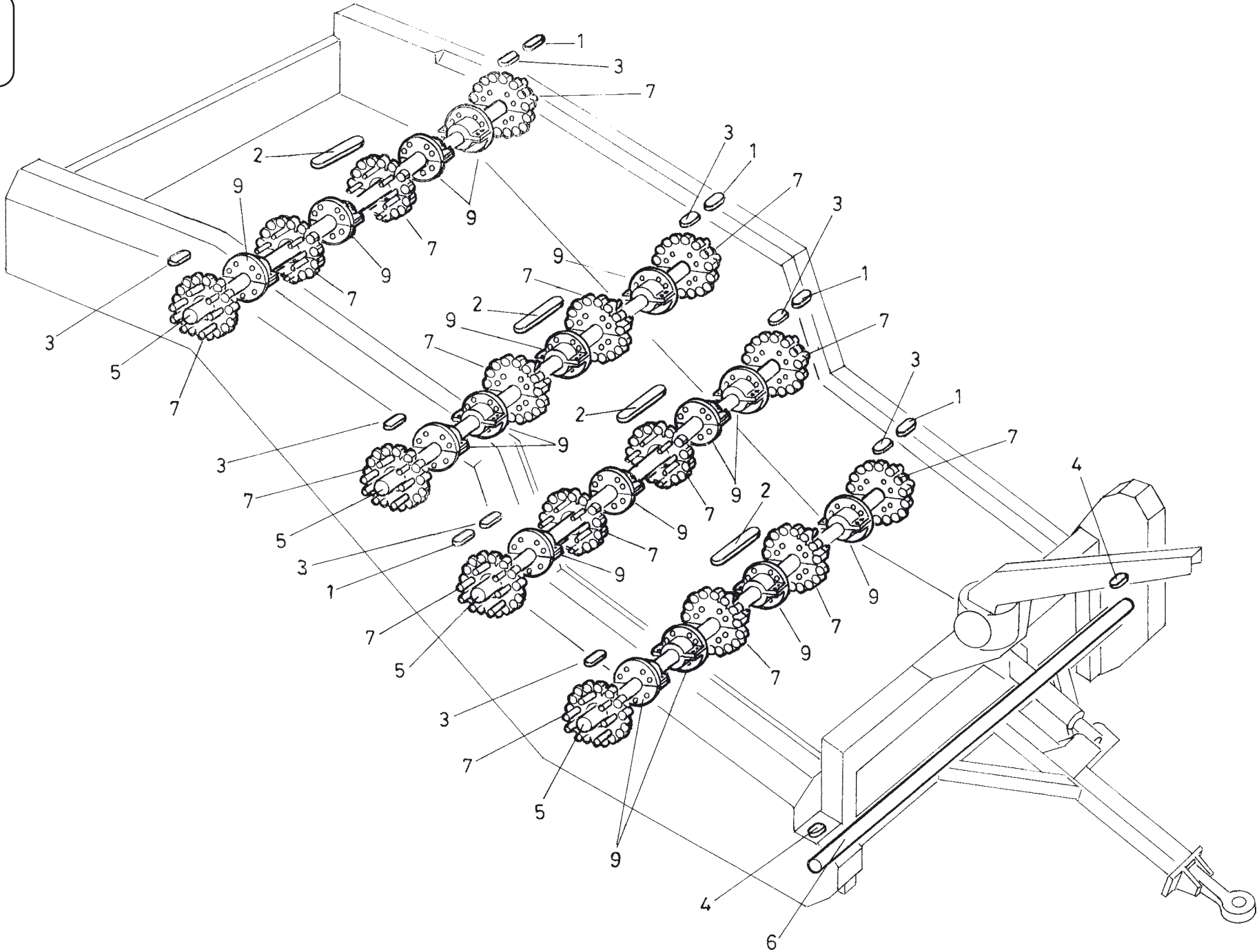
4.6



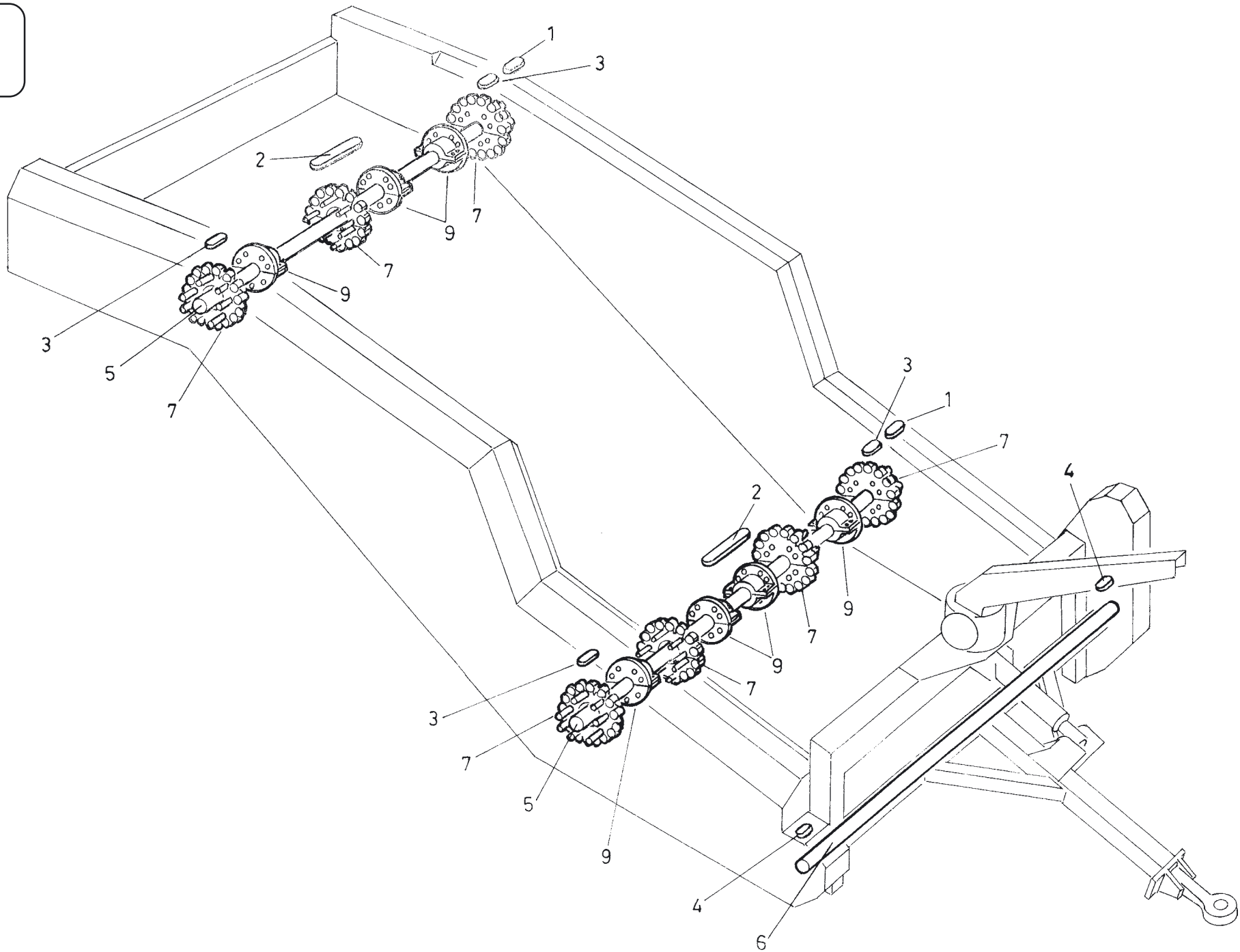
5.1



5.2



5.3



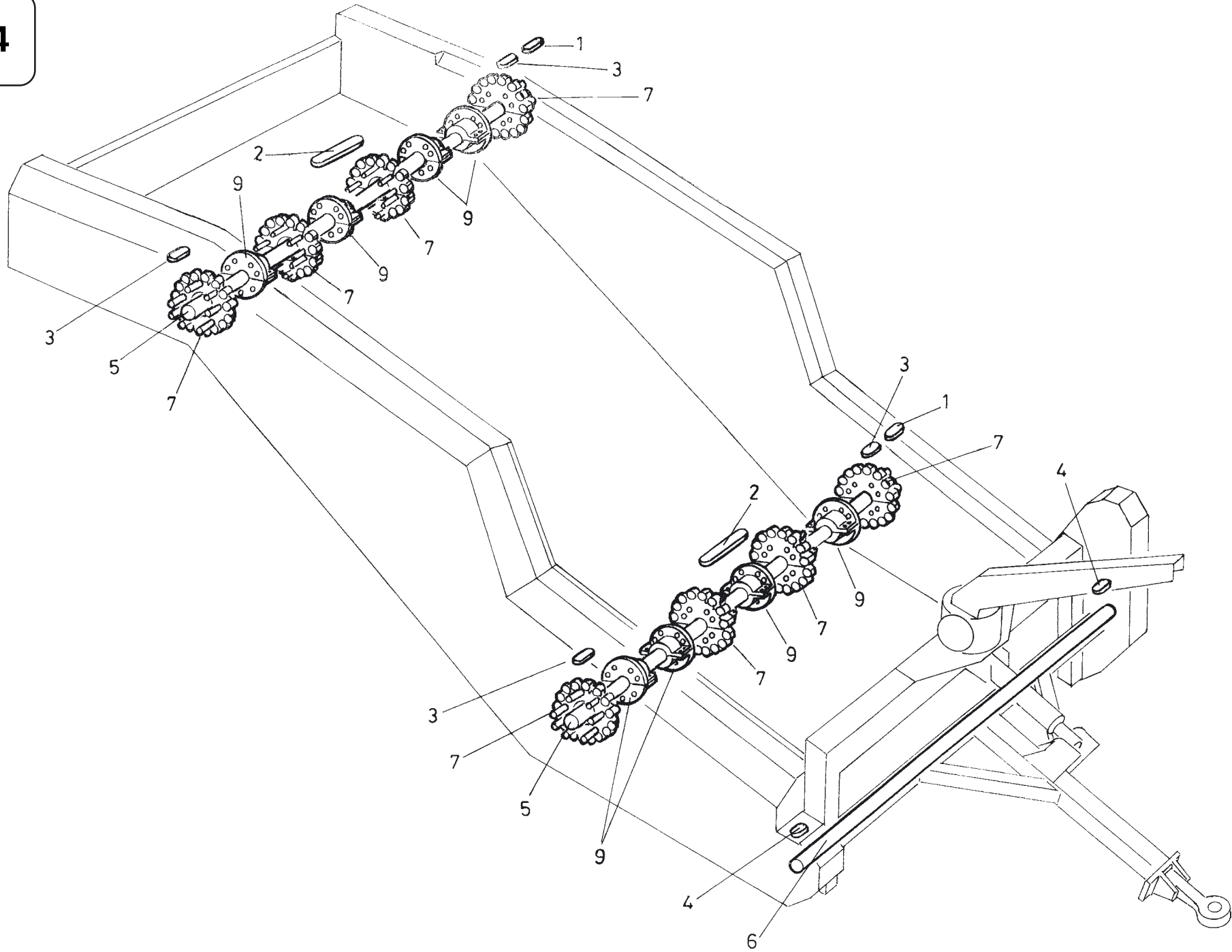
Assembly Group 5.3 - Shafts & Sprockets (Narrow Star machines)

Item	Description	Part No.	Qty.
1	Key: 14 x 9 x 100	UN-00036	2
2	Key: 14 x 9 x 228	UN-00041	2
3	Key: 14 x 9 x 90	UN-00042	4
4	Key: 14 x 9 x 60	UN-00047	2
5	Shaft	UN-10053	2
6	Countershaft	UN-10059	1
<i>Fingered Sprocket Options:-</i>			
7	to suit 28mm Pitch Web	UN-03000	A/R
7	to suit 32mm Pitch Web	UN-03002	A/R
7	to suit 37mm Pitch Web	UN-03006	A/R
7	to suit 43mm Pitch Web	UN-03010	A/R
7	to suit 50mm Pitch Web	UN-03014	A/R
9	Hub	UN-03016	7

Item	Description	Part No.	Qty.

A/R = As Required NI = Not Illustrated N/A = Not Applicable

5.4



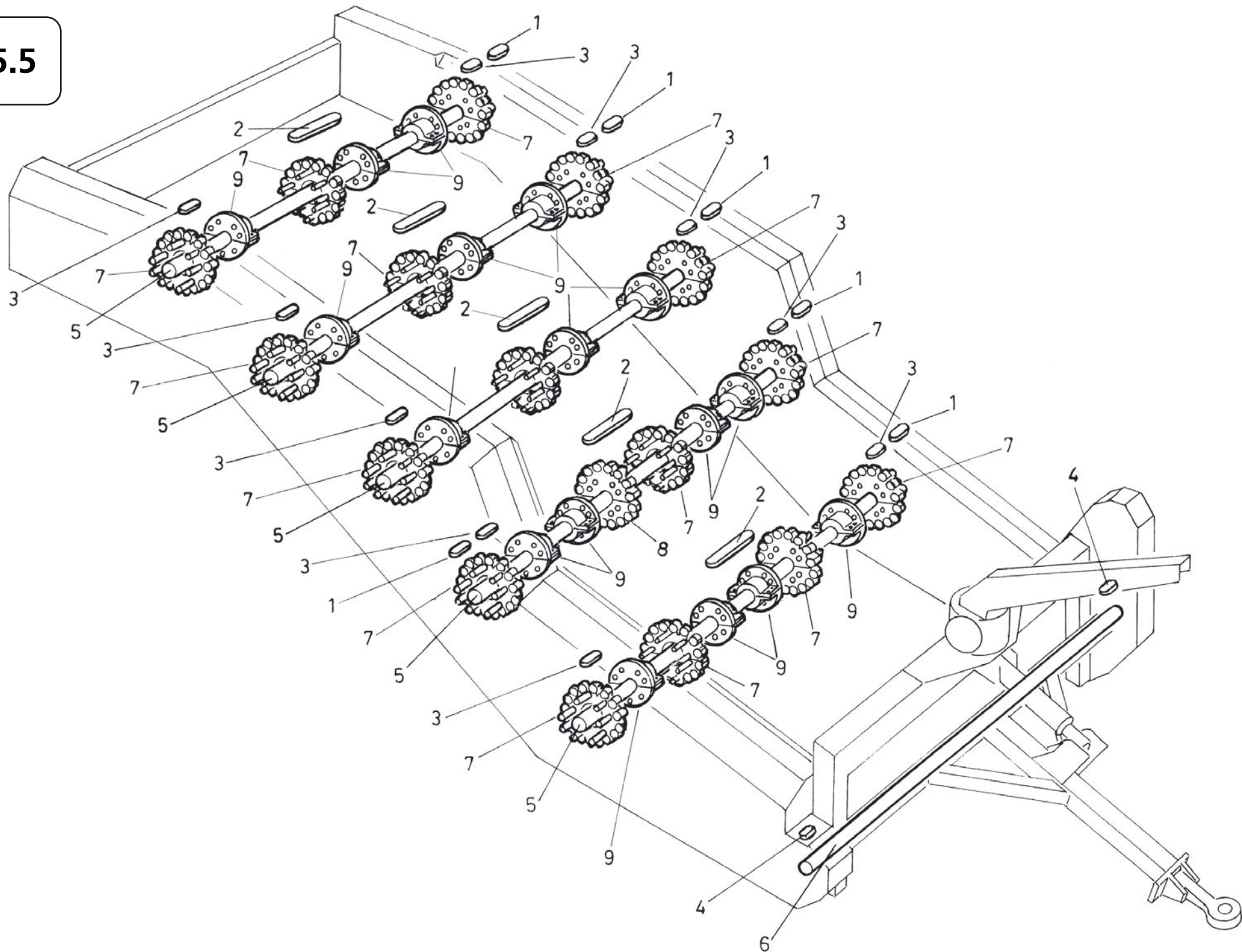
Assembly Group 5.4 - Shafts & Sprockets (Wide Star machines)

Item	Description	Part No.	Qty.
1	Key: 14 x 9 x 100	UN-00036	2
2	Key: 14 x 9 x 228	UN-00041	4
3	Key: 14 x 9 x 90	UN-00042	4
4	Key: 14 x 9 x 60	UN-00047	2
5	Shaft	UN-10054	2
6	Countershaft	UN-10060	1
	Fingered Sprocket Options:-		
7	to suit 28mm Pitch Web	UN-03000	A/R
7	to suit 32mm Pitch Web	UN-03002	A/R
7	to suit 37mm Pitch Web	UN-03006	A/R
7	to suit 43mm Pitch Web	UN-03010	A/R
7	to suit 50mm Pitch Web	UN-03014	A/R
9	Hub	UN-03016	8

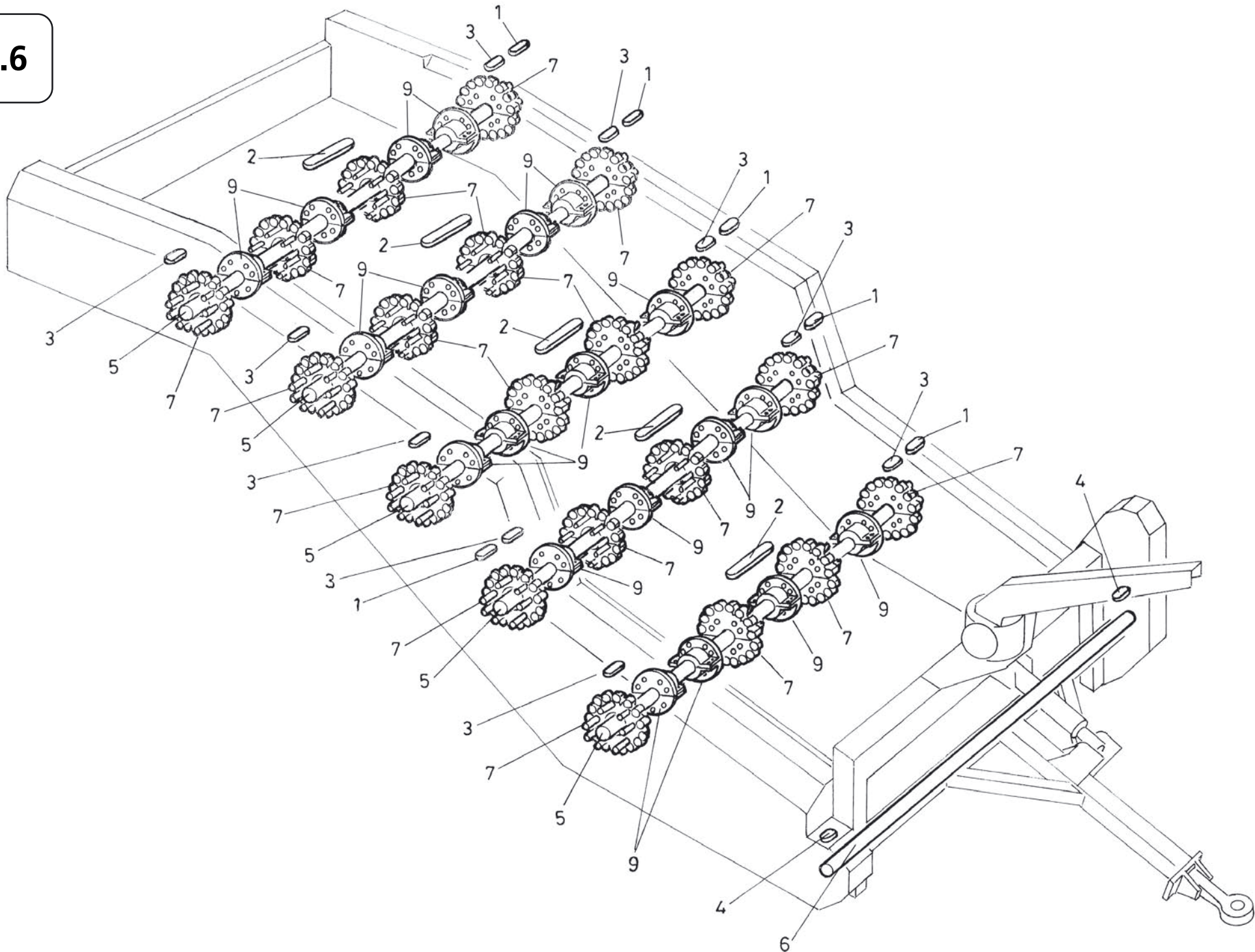
Item	Description	Part No.	Qty.

A/R = As Required NI = Not Illustrated N/A = Not Applicable

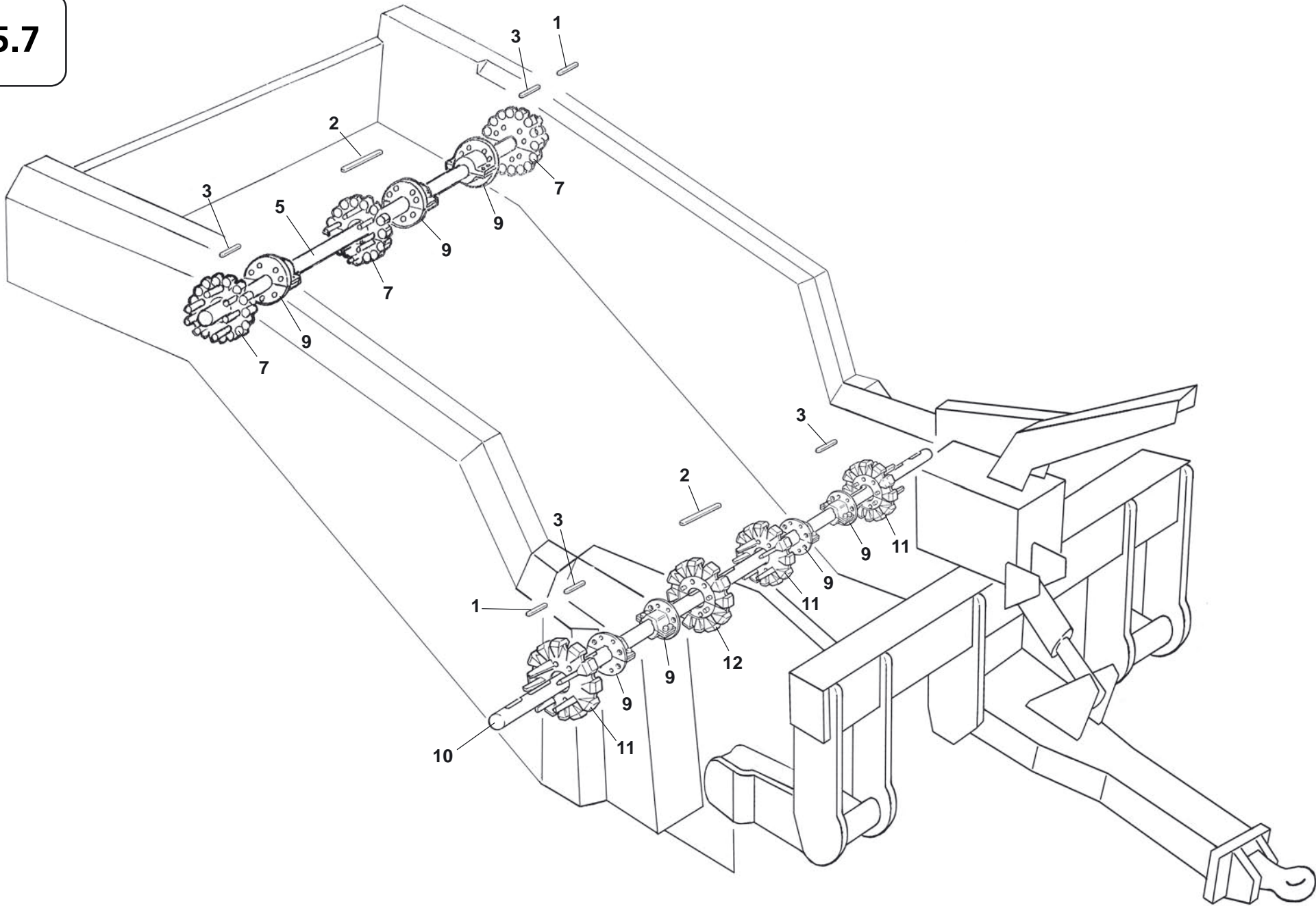
5.5



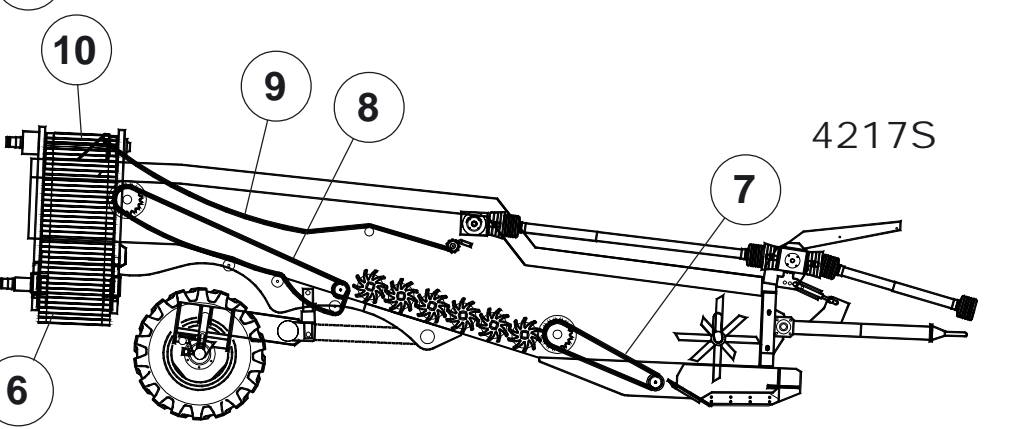
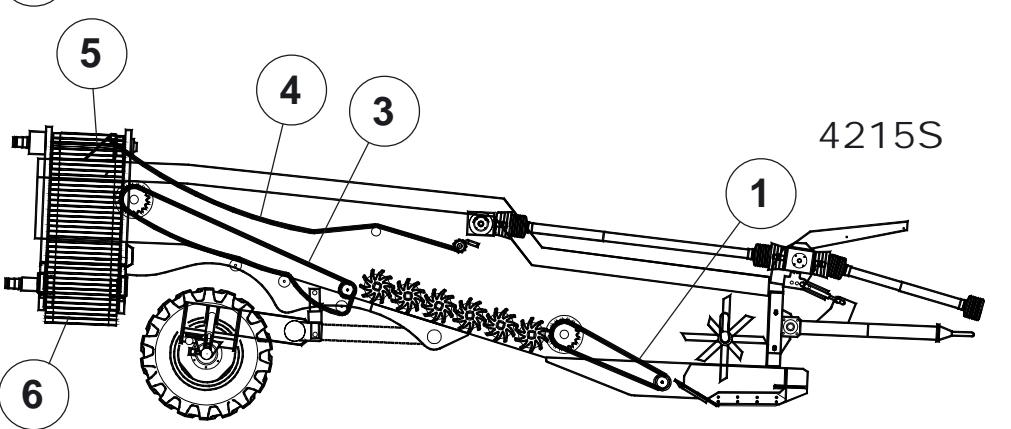
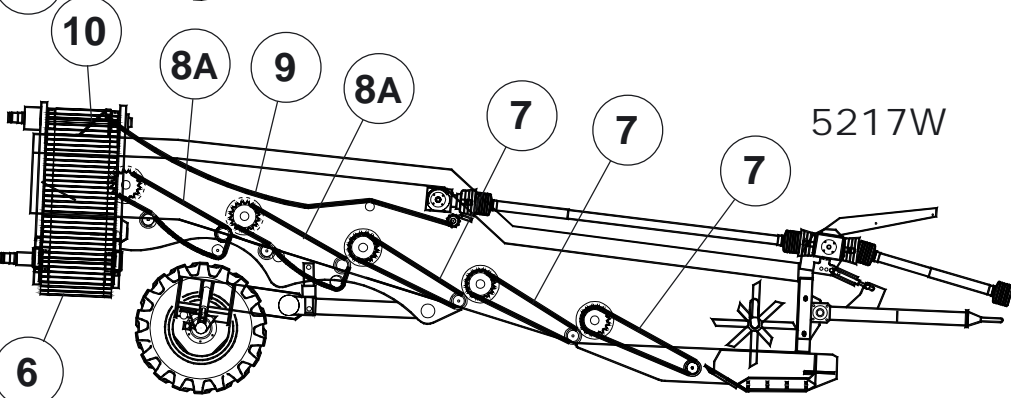
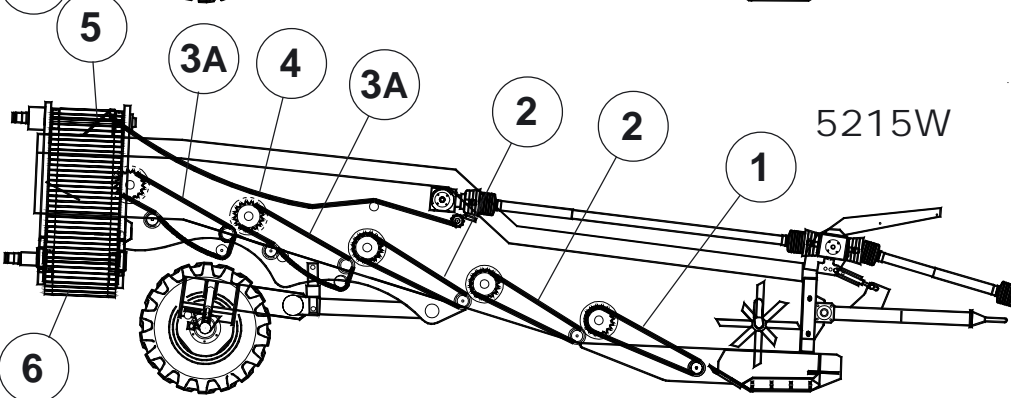
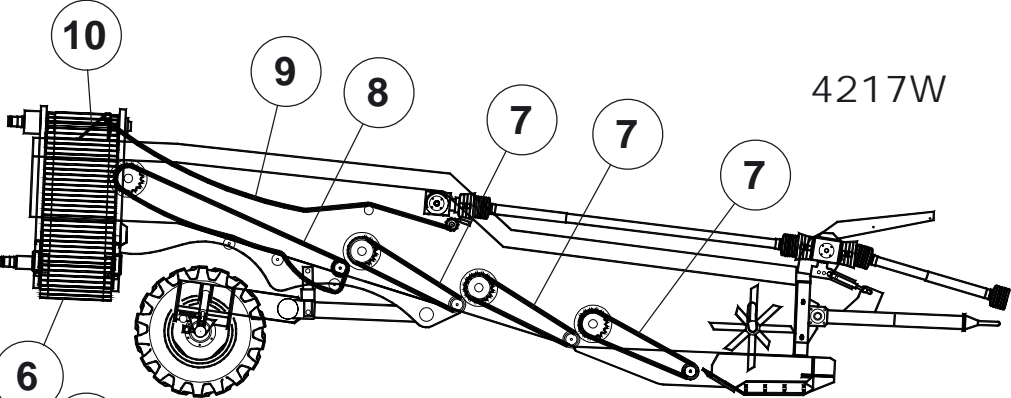
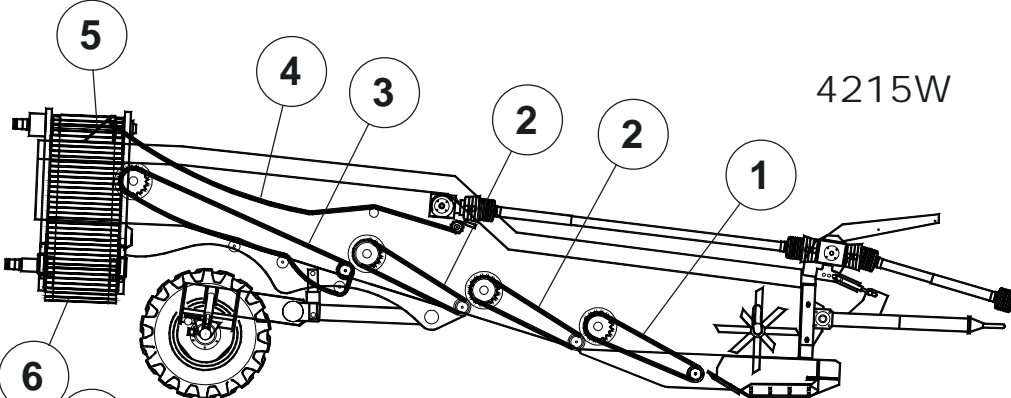
5.6



5.7



6.1



Assembly Group 6.1 - Webs Standard Webs

Item	Pitches Available	Part No.
1	28mm x 4 Belt	UN-03284
1	32mm x 4 Belt	UN-03285
1	37mm x 4 Belt	UN-03286
1	43mm x 4 Belt	UN-03287
1	50mm x 4 Belt	UN-03288
2	28mm x 3 Belt	UN-03204
2	32mm x 3 Belt	UN-03206
2	37mm x 3 Belt	UN-03208
2	43mm x 3 Belt	UN-03210
2	50mm x 3 Belt	UN-03214
3	28mm x 3 Belt	UN-03205
3	32mm x 3 Belt	UN-03207
3	37mm x 3 Belt	UN-03209
3	43mm x 3 Belt	UN-03211
3	50mm x 3 Belt	UN-03215

Item	Pitches Available	Part No.
3A	28mm x 3 Belt	UN-03836
3A	32mm x 3 Belt	UN-03837
3A	37mm x 3 Belt	UN-03838
3A	43mm x 3 Belt	UN-03839
3A	45mm x 3 Belt	UN-03840
3A	50mm x 3 Belt	UN-03841
4	45/90mm x 3 Belt	UN-03200
5	43mm x 3 Belt	UN-03202
6	20mm x 2 Belt	UN-03294
6	28mm x 2 Belt	UN-03295
6	36mm x 2 Belt	UN-03296
7	28mm x 4 Belt	UN-03289
7	32mm x 4 Belt	UN-03290
7	37mm x 4 Belt	UN-03291
7	43mm x 4 Belt	UN-03292

NI	32mm x 3 Belt HD Digger web for 4213/5	UN-03861
NI	37mm x 3 Belt HD Digger web for 4213/5	UN-03870
NI	43mm x 3 Belt HD Digger web for 4213/5	UN-03871

Item	Pitches Available	Part No.
7	50mm x 4 Belt	UN-03293
8	28mm x 4 Belt	UN-03297
8	32mm x 4 Belt	UN-03298
8	37mm x 4 Belt	UN-03299
8	43mm x 4 Belt	UN-03300
8	50mm x 4 Belt	UN-03301
8A	28mm x 4 Belt	UN-03827
8A	32mm x 4 Belt	UN-03828
8A	37mm x 4 Belt	UN-03829
8A	43mm x 4 Belt	UN-03830
8A	45mm x 4 Belt	UN-03831
8A	50mm x 4 Belt	UN-03832
9	45/90mm x 3 Belt	UN-03201
10	43mm x 3 Belt	UN-03203

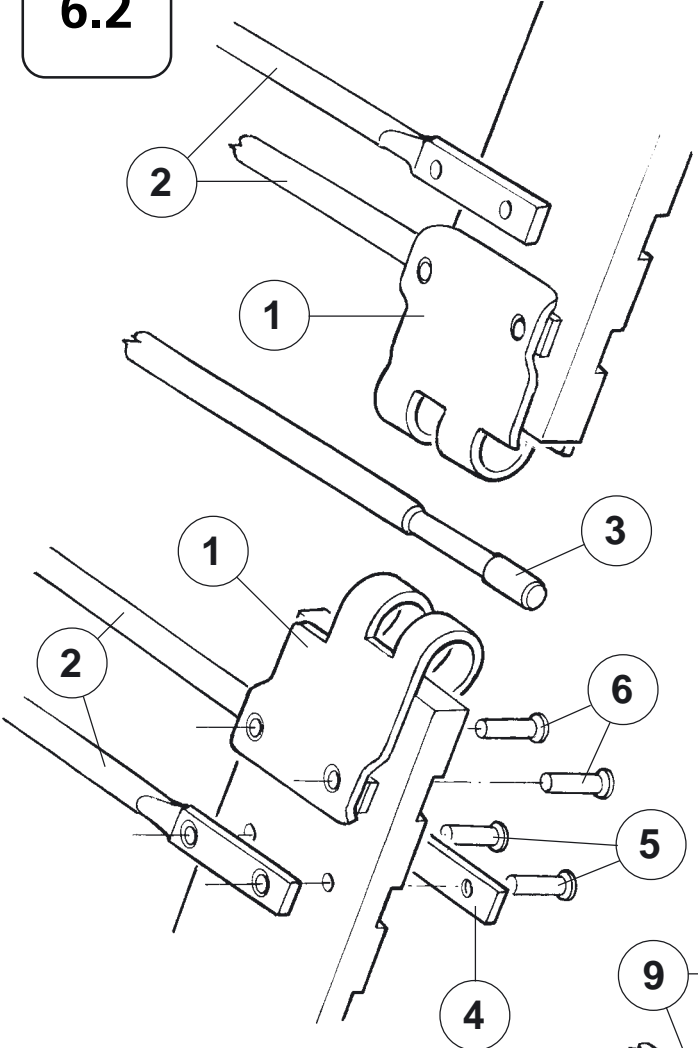
Heavy Duty Webs

Item	Pitches Available	Part No.
1	28mm x 4 Belt	UN-03901
1	32mm x 4 Belt	UN-03902
1	37mm x 4 Belt	UN-03903
1	43mm x 4 Belt	UN-03904
1	45mm x 4 Belt	UN-03905
1	50mm x 4 Belt	UN-03906
2	28mm x 3 Belt	UN-03907
2	32mm x 3 Belt	UN-03908
2	37mm x 3 Belt	UN-03909
2	43mm x 3 Belt	UN-03910
2	45mm x 3 Belt	UN-03911
2	50mm x 3 Belt	UN-03912
3	28mm x 3 Belt	UN-03913
3	32mm x 3 Belt	UN-03914
3	37mm x 3 Belt	UN-03915
3	43mm x 3 Belt	UN-03916
3	45mm x 3 Belt	UN-03917

Item	Pitches Available	Part No.
3	50mm x 3 Belt	UN-03918
3A	28mm x 3 Belt	UN-04116
3A	32mm x 3 Belt	UN-04117
3A	37mm x 3 Belt	UN-04118
3A	43mm x 3 Belt	UN-04119
3A	45mm x 3 Belt	UN-04120
3A	50mm x 3 Belt	UN-04121
4	45/90mm x 3 Belt	UN-03648
5	43mm x 3 Belt	UN-03202
6	20mm x 2 Belt	UN-03294
6	28mm x 2 Belt	UN-03295
6	36mm x 2 Belt	UN-03296
7	28mm x 4 Belt	UN-03919
7	32mm x 4 Belt	UN-03920
7	37mm x 4 Belt	UN-03921
7	43mm x 4 Belt	UN-03922
7	45mm x 4 Belt	UN-03923

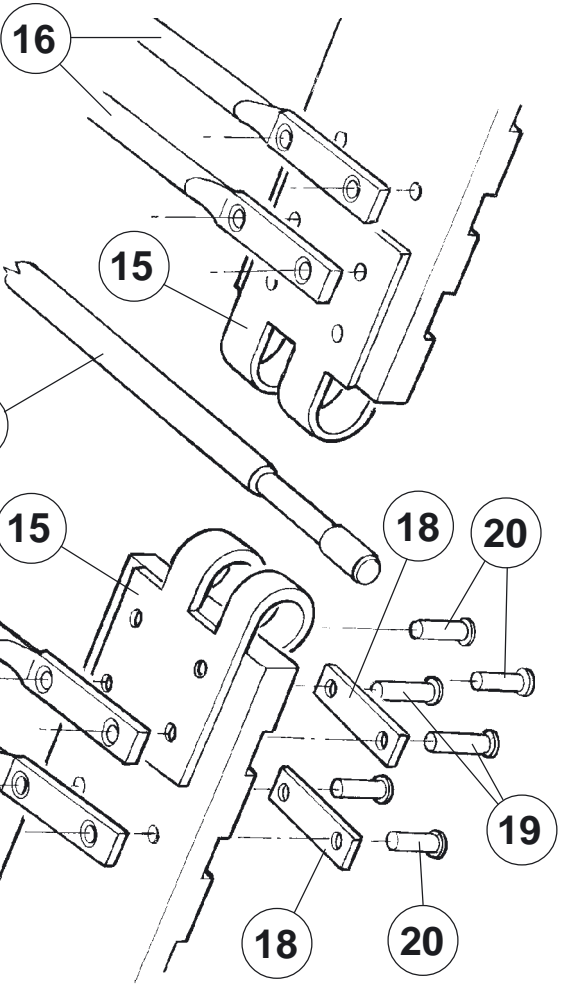
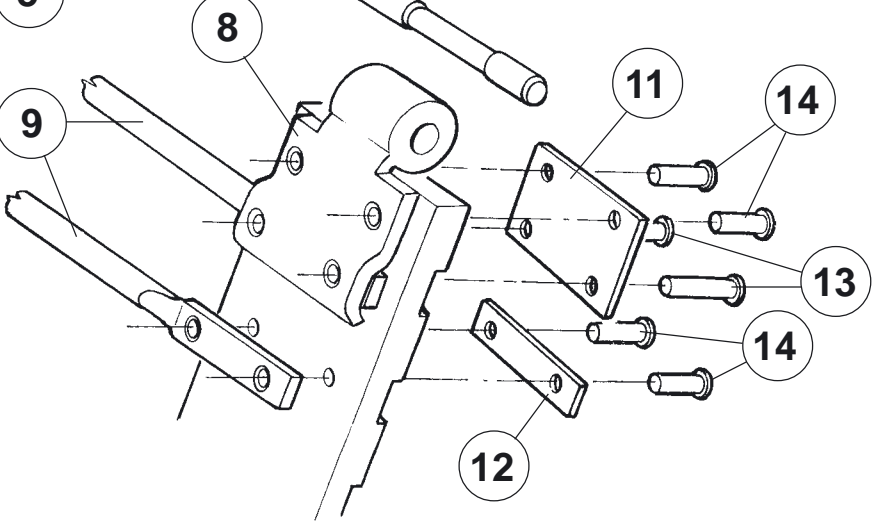
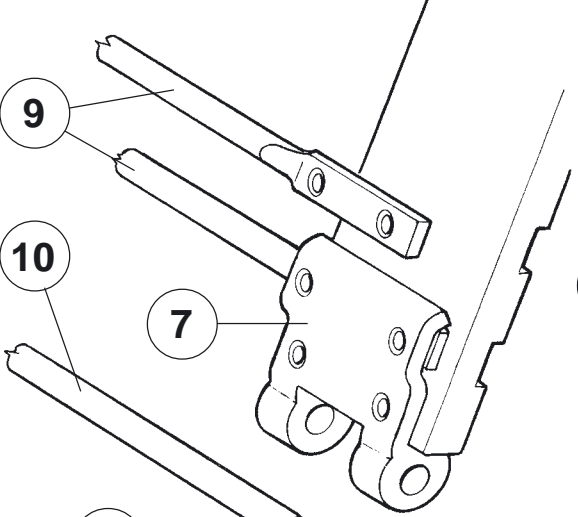
Item	Pitches Available	Part No.
7	50mm x 4 Belt	UN-03924
8	28mm x 4 Belt	UN-03925
8	32mm x 4 Belt	UN-03926
8	37mm x 4 Belt	UN-03927
8	43mm x 4 Belt	UN-03928
8	45mm x 4 Belt	UN-03929
8	50mm x 4 Belt	UN-03930
8A	28mm x 4 Belt	UN-04110
8A	32mm x 4 Belt	UN-04111
8A	37mm x 4 Belt	UN-04112
8A	43mm x 4 Belt	UN-04113
8A	45mm x 4 Belt	UN-04114
8A	50mm x 4 Belt	UN-04115
9	45/90mm x 3 Belt	UN-03649
10	43mm x 3 Belt	UN-03203

6.2



28, 32mm
MAIN WEB

37, 43 & 50mm
MAIN WEB



20, 28mm
CROSS CONVEYOR WEB

Assembly Group 6.2 - Web Accessories - Standard Webs

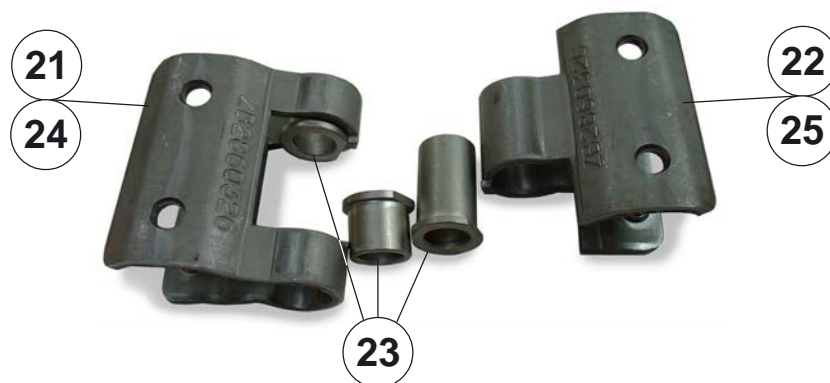
Item	Description	Part No.
1	28mm F Type Joining Clip	UN-03551
1	32mm F Type Joining Clip	UN-03572
2	Repair Rod (Narrow Machine 3 Belt)	UN-03602
2	Repair Rod (Narrow Machine 4 Belt)	UN-03603
2	Repair Rod (Wide Machine 4 Belt)	UN-03604
2	Repair Rod (1280mm - 3 Belt)	UN-03873
3	Joining Rod (Narrow Machine)	UN-03608
3	Joining Rod (Wide Machine)	UN-03609
4	2 Hole Backplate (32 x 6mm)	UN-03588
5	Countersunk Rivet (6 x 26mm)	UN-03577
6	Countersunk Rivet (6 x 30mm)	UN-03578

Item	Description	Part No.
7	37mm Female Joining Clip (6mm)	UN-03560
7	43mm Female Joining Clip (6mm)	UN-03562
7	50mm Female Joining Clip (6mm)	UN-03558
8	37mm Male Joining Clip (6mm)	UN-03561
8	43mm Male Joining Clip (6mm)	UN-03563
8	50mm Male Joining Clip (6mm)	UN-03559
9	Repair Rod (Narrow Machine 3 Belt)	UN-03602
9	Repair Rod (Narrow Machine 4 Belt)	UN-03603
9	Repair Rod (Wide Machine 4 Belt)	UN-03604
10	Joining Rod (Narrow Machine)	UN-03594
10	Joining Rod (Wide Machine)	UN-03595
11	4 Hole Backplate (32 x 6) to suit 37mm	UN-03584
11	4 Hole Backplate (32 x 6) to suit 43mm	UN-03585
11	4 Hole Backplate (32 x 6) to suit 50mm	UN-03587
12	2 Hole Backplate (32 x 6mm)	UN-03588
13	Countersunk Rivet (6 x 30mm)	UN-03578
14	Countersunk Rivet (6 x 26mm)	UN-03577

Item	Description	Part No.
15	20mm X-Con Joining Clip	UN-03550
15	28mm F Type Joining Clip	UN-03551
16	Repair Rod	UN-03598
17	X-Con Joining Rod	UN-03591
18	2 Hole Backplate (32 x 5mm)	UN-03579
19	Countersunk Rivet (5 x 30mm)	UN-03576
20	Countersunk Rivet (5 x 26mm)	UN-03575

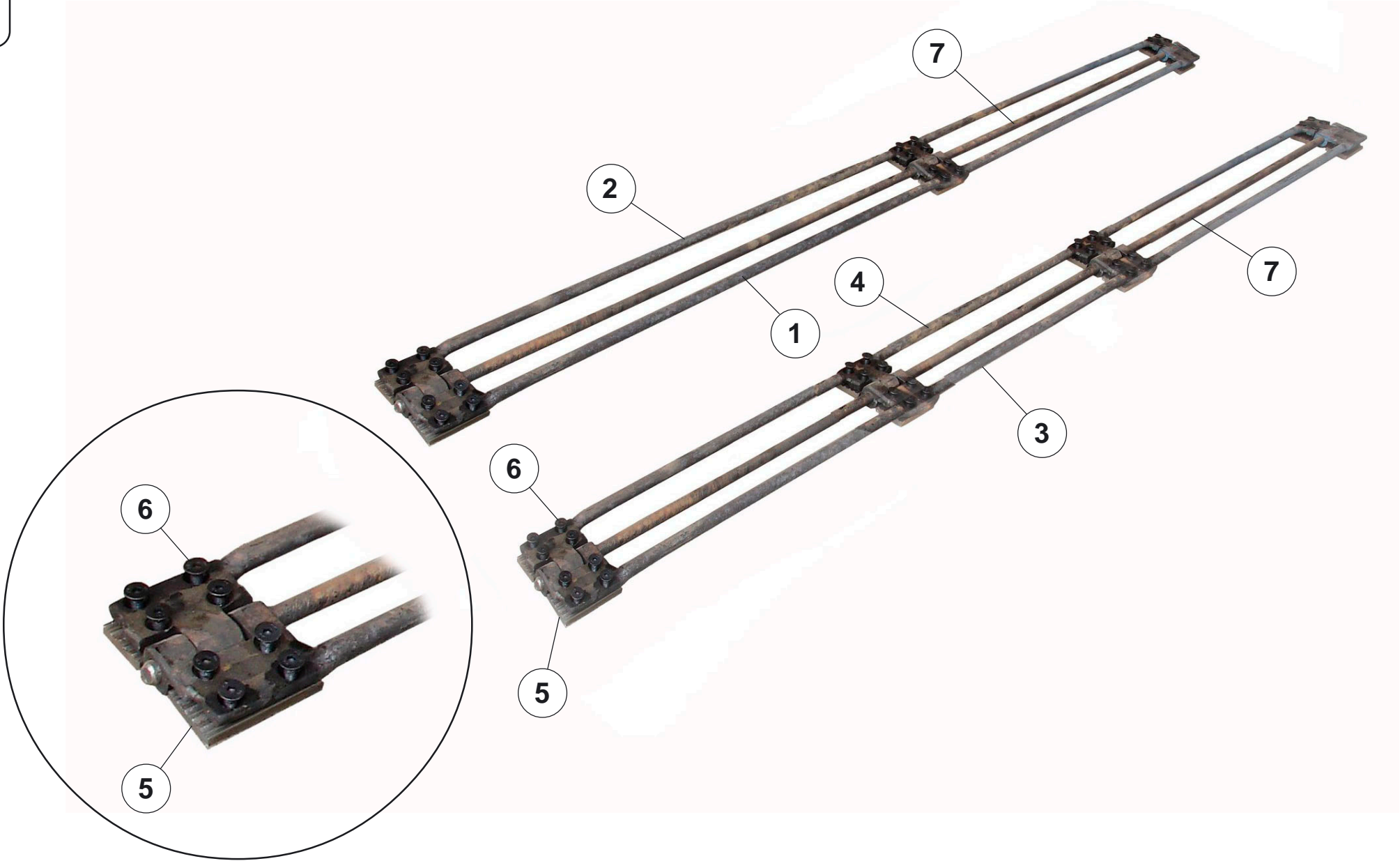
Bush Type Joining Clips

(to suit 28mm & 32mm Main Webs)



Item	Description	Part No.
21	28mm Female Joining Clip c/w Bushes	UN-03642
22	28mm Male Joining Clip c/w Bush	UN-03643
23	*Bush Kit (only)	UN-03644
24	32mm Female Joining Clip c/w Bushes	UN-03645
25	32mm Male Joining Clip c/w Bush	UN-03646
	*Bush Kit consists of :-	
	2 Short and 1 Long Bush	

6.2A



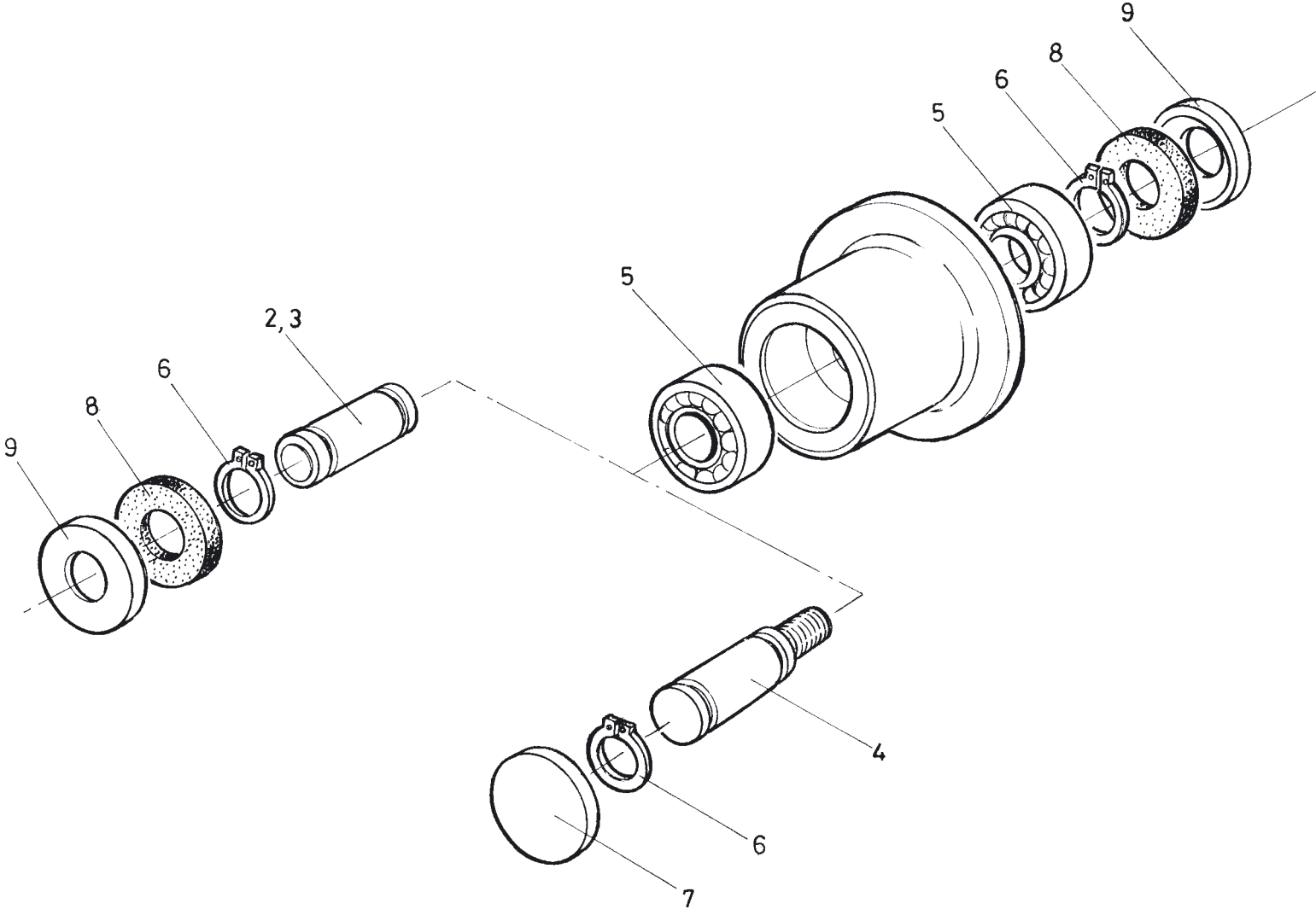
Assembly Group 6.2A - Web Accessories - High Strength Joining Clip System

Item	Description	Part No.	Qty.
1	Heavy Duty Female Joining Clip Kit - 3 Belt - (1540 wide) 28mm	UN-03943	
1	Heavy Duty Female Joining Clip Kit - 3 Belt - (1540 wide) 32mm	UN-03945	
1	Heavy Duty Female Joining Clip Kit - 3 Belt - (1280 wide) 32mm	UN-03859	
1	Heavy Duty Female Joining Clip Kit - 3 Belt - (1540 wide) 36mm	UN-03947	
1	Heavy Duty Female Joining Clip Kit - 3 Belt - (1540 wide) 37mm	UN-03949	
1	Heavy Duty Female Joining Clip Kit - 3 Belt - (1280 wide) 37mm	UN-03866	
1	Heavy Duty Female Joining Clip Kit - 3 Belt - (1540 wide) 42mm	UN-03951	
1	Heavy Duty Female Joining Clip Kit - 3 Belt - (1540 wide) 43mm	UN-03953	
1	Heavy Duty Female Joining Clip Kit - 3 Belt - (1280 wide) 43mm	UN-03868	
1	Heavy Duty Female Joining Clip Kit - 3 Belt - (1540 wide) 45mm	UN-03955	
1	Heavy Duty Female Joining Clip Kit - 3 Belt - (1540 wide) 50mm	UN-03957	
2	Heavy Duty Male Joining Clip Kit - 3 Belt - (1540 wide) 28mm	UN-03944	
2	Heavy Duty Male Joining Clip Kit - 3 Belt - (1540 wide) 32mm	UN-03946	
2	Heavy Duty Male Joining Clip Kit - 3 Belt - (1280 wide) 32mm	UN-03860	
2	Heavy Duty Male Joining Clip Kit - 3 Belt - (1540 wide) 36mm	UN-03948	
2	Heavy Duty Male Joining Clip Kit - 3 Belt - (1540 wide) 37mm	UN-03950	
2	Heavy Duty Male Joining Clip Kit - 3 Belt - (1280 wide) 37mm	UN-03867	
2	Heavy Duty Male Joining Clip Kit - 3 Belt - (1540 wide) 42mm	UN-03952	
2	Heavy Duty Male Joining Clip Kit - 3 Belt - (1540 wide) 43mm	UN-03954	
2	Heavy Duty Male Joining Clip Kit - 3 Belt - (1280 wide) 43mm	UN-03869	
2	Heavy Duty Male Joining Clip Kit - 3 Belt - (1540 wide) 45mm	UN-03956	
2	Heavy Duty Male Joining Clip Kit - 3 Belt - (1540 wide) 50mm	UN-03958	
3	Heavy Duty Female Joining Clip Kit - 4 Belt - (1540 wide) 28mm	UN-03959	
3	Heavy Duty Female Joining Clip Kit - 4 Belt - (1540 wide) 32mm	UN-03961	
3	Heavy Duty Female Joining Clip Kit - 4 Belt - (1540 wide) 36mm	UN-03963	
3	Heavy Duty Female Joining Clip Kit - 4 Belt - (1540 wide) 37mm	UN-03965	
3	Heavy Duty Female Joining Clip Kit - 4 Belt - (1540 wide) 42mm	UN-03967	
3	Heavy Duty Female Joining Clip Kit - 4 Belt - (1540 wide) 43mm	UN-03969	
3	Heavy Duty Female Joining Clip Kit - 4 Belt - (1540 wide) 45mm	UN-03971	
3	Heavy Duty Female Joining Clip Kit - 4 Belt - (1540 wide) 50mm	UN-03973	
3	Heavy Duty Female Joining Clip Kit - 4 Belt - (1740 wide) 28mm	UN-03984	
3	Heavy Duty Female Joining Clip Kit - 4 Belt - (1740 wide) 32mm	UN-03986	
3	Heavy Duty Female Joining Clip Kit - 4 Belt - (1740 wide) 36mm	UN-03988	
3	Heavy Duty Female Joining Clip Kit - 4 Belt - (1740 wide) 37mm	UN-03990	
3	Heavy Duty Female Joining Clip Kit - 4 Belt - (1740 wide) 42mm	UN-03992	
3	Heavy Duty Female Joining Clip Kit - 4 Belt - (1740 wide) 43mm	UN-03994	
3	Heavy Duty Female Joining Clip Kit - 4 Belt - (1740 wide) 45mm	UN-03996	

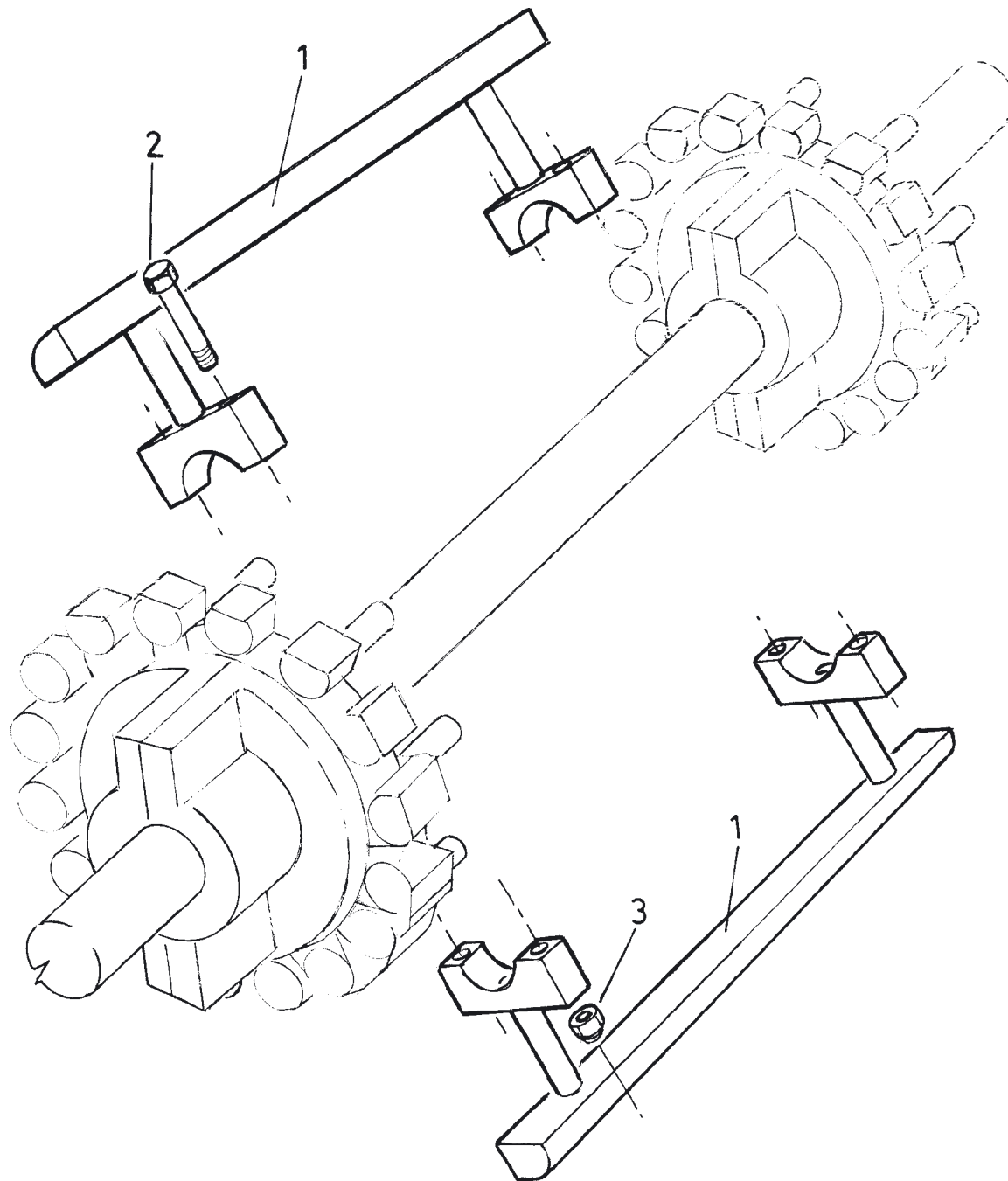
Item	Description	Part No.	Qty.
3	Heavy Duty Female Joining Clip Kit - 4 Belt - (1740 wide) 50mm	UN-03998	
4	Heavy Duty Male Joining Clip Kit - 4 Belt - (1540 wide) 28mm	UN-03960	
4	Heavy Duty Male Joining Clip Kit - 4 Belt - (1540 wide) 32mm	UN-03962	
4	Heavy Duty Male Joining Clip Kit - 4 Belt - (1540 wide) 36mm	UN-03964	
4	Heavy Duty Male Joining Clip Kit - 4 Belt - (1540 wide) 37mm	UN-03966	
4	Heavy Duty Male Joining Clip Kit - 4 Belt - (1540 wide) 42mm	UN-03968	
4	Heavy Duty Male Joining Clip Kit - 4 Belt - (1540 wide) 43mm	UN-03970	
4	Heavy Duty Male Joining Clip Kit - 4 Belt - (1540 wide) 45mm	UN-03972	
4	Heavy Duty Male Joining Clip Kit - 4 Belt - (1540 wide) 50mm	UN-03974	
4	Heavy Duty Male Joining Clip Kit - 4 Belt - (1740 wide) 28mm	UN-03985	
4	Heavy Duty Male Joining Clip Kit - 4 Belt - (1740 wide) 32mm	UN-03987	
4	Heavy Duty Male Joining Clip Kit - 4 Belt - (1740 wide) 36mm	UN-03989	
4	Heavy Duty Male Joining Clip Kit - 4 Belt - (1740 wide) 37mm	UN-03991	
4	Heavy Duty Male Joining Clip Kit - 4 Belt - (1740 wide) 42mm	UN-03993	
4	Heavy Duty Male Joining Clip Kit - 4 Belt - (1740 wide) 43mm	UN-03995	
4	Heavy Duty Male Joining Clip Kit - 4 Belt - (1740 wide) 45mm	UN-03997	
4	Heavy Duty Male Joining Clip Kit - 4 Belt - (1740 wide) 50mm	UN-03999	
5	4 Hole Backplate 28mm	UN-03975	
5	4 Hole Backplate 32mm	UN-03976	
5	4 Hole Backplate 36mm	UN-03977	
5	4 Hole Backplate 37mm	UN-03978	
5	4 Hole Backplate 42mm	UN-03979	
5	4 Hole Backplate 43mm	UN-03980	
5	4 Hole Backplate 45mm	UN-03981	
5	4 Hole Backplate 50mm	UN-03982	
6	Countersunk Fixing Screw	UN-03983	A/R
7	Joining Rod (1280 wide)	UN-03872	
7	Joining Rod (1540 wide)	UN-03594	
7	Joining Rod (1740 wide)	UN-03595	
NI	Repair Rod (Narrow Machine 3 Belt)	UN-03602	
NI	Repair Rod (Narrow Machine 4 Belt)	UN-03603	
NI	Repair Rod (Wide Machine 4 Belt)	UN-03604	
NI	Repair Rod (1280mm - 3 Belt)	UN-03873	

A/R = As Required NI = Not Illustrated N/A = Not Applicable

6.3



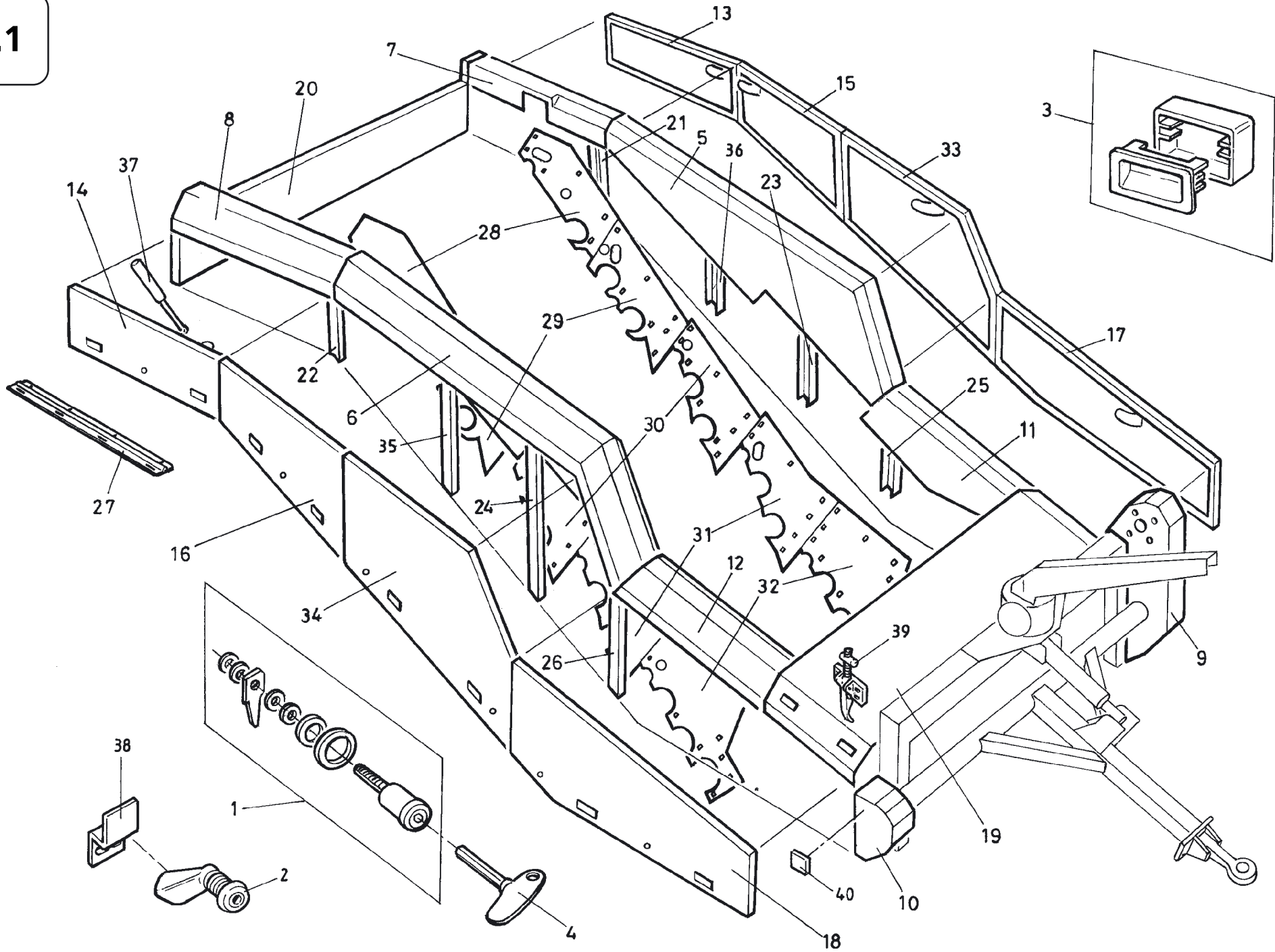
6.4



Assembly Group 6.4 - Web Cleaners

Item	Description	Web Pitch	Machine	Web Type	Part No.	Qty. per Web
1	2 Part Web Cleaner	37mm	Narrow	3 Belt	UN-08280	2 Pairs
1	2 Part Web Cleaner	37mm	Narrow	4 Belt	UN-08285	2 Pairs
1	2 Part Web Cleaner	37mm	Wide	4 Belt	UN-08287	3 Pairs
1	2 Part Web Cleaner	43mm	Narrow	3 Belt	UN-08280	2 Pairs
1	2 Part Web Cleaner	43mm	Narrow	4 Belt	UN-08285	2 Pairs
1	2 Part Web Cleaner	43mm	Wide	4 Belt	UN-08287	3 Pairs
1	2 Part Web Cleaner	50mm	Narrow	3 Belt	UN-08295	2 Pairs
1	2 Part Web Cleaner	50mm	Narrow	4 Belt	UN-08297	2 Pairs
1	2 Part Web Cleaner	50mm	Wide	4 Belt	UN-08299	3 Pairs
2	M10 x 75 High Tensile Bolt					
3	M10 Nyloc Nut					

7.1



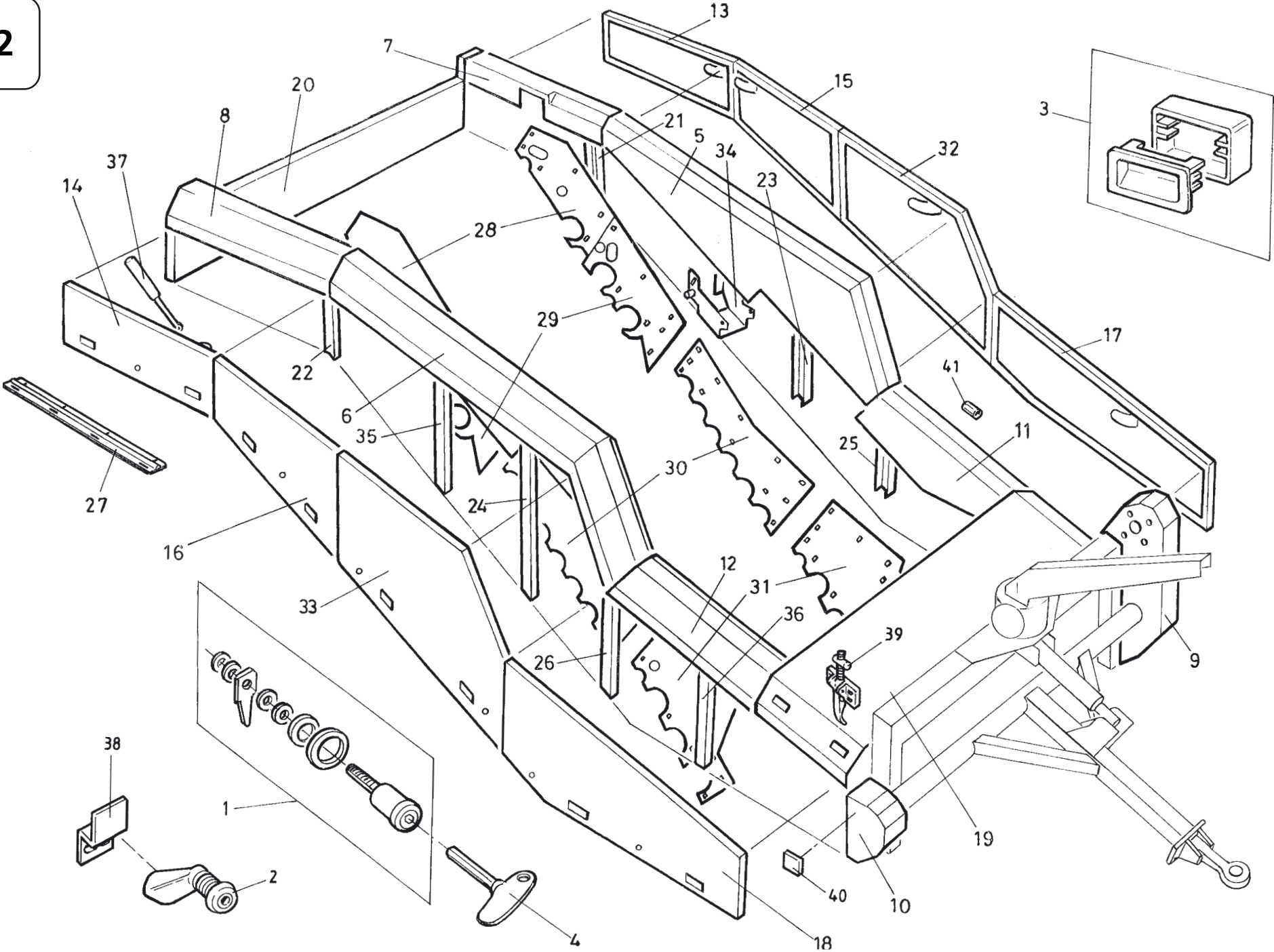
Assembly Group 7.1 - Doors, Guards & Wear Plates (Multiweb machine)

Item	Description	Part No.	Qty.
1	Door Lock (complete)	UN-00222	14
2	Slam Lock (Left Hand - 2005 onwards)	UN-01001	4
2	Slam Lock (Right Hand - 2005 onwards)	UN-01002	4
3	Door Handle (complete) - for Doors	UN-00577	16
3	Door Handle (complete) - for Rotor Hoods	UN-00578	4
4	Door Key	UN-00640	1
5	Middle Guard (Left Hand - Yr. 2004)	UN-10540	1
5	Middle Guard (Left Hand - 2005 onwards)	UN-11351	1
6	Middle Guard (Right Hand - Yr. 2004)	UN-10548	1
6	Middle Guard (Right Hand - 2005 onwards)	UN-11354	1
7	Rear Guard (Left Hand)	UN-10550	1
8	Rear Guard (Right Hand)	UN-10555	1
9	Rotor Drive Guard (Left Hand)	UN-10557	1
10	Rotor Drive Guard (Right Hand)	UN-10559	1
11	Front Guard (Left Hand - Yr. 2004)	UN-10570	1
11	Front Guard (Left Hand - 2005 onwards)	UN-11356	1
12	Front Guard (Right Hand - Yr. 2004)	UN-10574	1
12	Front Guard (Right Hand - 2005 onwards)	UN-11358	1
13	Rear Door (Left Hand)	UN-10577	1
13	Rear Door (Left Hand - Painted 2009 onwards)	UN-15232	1
14	Rear Door (Right Hand)	UN-10581	1
14	Rear Door (Right Hand - Painted 2009 onwards)	UN-15234	1
15	Centre Door (Left Hand)	UN-11024	1
15	Centre Door (Left Hand - Painted 2009 onwards)	UN-15244	1
16	Centre Door (Right Hand)	UN-11026	1
16	Centre Door (Right Hand - Painted 2009 onwards)	UN-15246	1
17	Front Door (Left Hand)	UN-10588	1
17	Front Door (Left Hand - Painted 2009 onwards)	UN-15236	1
18	Front Door (Right Hand)	UN-10592	1
18	Front Door (Right Hand - Painted 2009 onwards)	UN-15238	1
19	Rotor Hood (Narrow Machines - Yr. 2004)	UN-10560	1
19	Rotor Hood (Narrow Machines - 2005 onwards)	UN-11340	1
19	Rotor Hood (Wide Machines - Yr. 2004)	UN-10596	1
19	Rotor Hood (Wide Machines - 2005 onwards)	UN-11365	1
20	Back Panel (Narrow Machines)	UN-10678	1
20	Back Panel (Wide Machines)	UN-10679	1
21	Door Support Strap (Left Hand)	UN-10752	1
22	Door Support Strap (Right Hand)	UN-10756	1
23	Door Support Strap (Left Hand)	UN-10757	1

Item	Description	Part No.	Qty.
24	Door Support Strap (Right Hand)	UN-10761	1
25	Door Support Strap (Left Hand)	UN-10763	1
26	Door Support Strap (Right Hand)	UN-10767	1
27	Door Hinge to suit UN-10577 & UN-10581	UN-10579	
27	Door Hinge to suit UN-11022 & UN-11026	UN-10585	
27	Door Hinge to suit UN-11020 & UN-11024	UN-10585	
27	Short Door Hinge to suit UN-10588	UN-10590	
27	Long Door Hinge to suit UN-10588	UN-10591	
27	Short Door Hinge to suit UN-10592	UN-10594	
27	Long Door Hinge to suit UN-10592	UN-10595	
28	Rear Wear Plate (Up to 2008)	UN-10303	2
28	Rear Wear Plate LH (2009 onwards)	UN-12543	1
28	Rear Wear Plate RH (2009 onwards)	UN-12544	1
28	Rear Wear Plate LH (5215W machines - 2009 onwards)	UN-12647	1
28	Rear Wear Plate RH (5215W machines - 2009 onwards)	UN-12648	1
29	4th Wear Plate (Up to 2008)	UN-10302	2
29	4th Wear Plate LH (2009 onwards)	UN-12541	1
29	4th Wear Plate RH (2009 onwards)	UN-12542	1
29	4th Wear Plate LH (5215W machines - 2009 onwards)	UN-12645	1
29	4th Wear Plate RH (5215W machines - 2009 onwards)	UN-12646	1
30	3rd Wear Plate (Up to 2008)	UN-10301	2
30	3rd Wear Plate LH (2009 onwards)	UN-12539	1
30	3rd Wear Plate RH (2009 onwards)	UN-12540	1
31	2nd Wear Plate (Up to 2008)	UN-10770	2
31	2nd Wear Plate LH (2009 onwards)	UN-12537	1
31	2nd Wear Plate RH (2009 onwards)	UN-12538	1
32	Digger Wear Plate (Up to 2008)	UN-10300	2
32	Digger Wear Plate LH (2009 onwards)	UN-12535	1
32	Digger Wear Plate RH (2009 onwards)	UN-12536	1
33	Centre Door (Left Hand)	UN-11020	1
33	Centre Door (Left Hand - Painted 2009 onwards)	UN-15240	1
34	Centre Door (Right Hand)	UN-11022	1
34	Centre Door (Right Hand - Painted 2009 onwards)	UN-15242	1
35	Door Support Strap (Right Hand)	UN-11046	1
36	Door Support Strap (Left Hand)	UN-11045	1
37	Gas Strut	UN-00228	12
38	Slam Lock Bracket	UN-11364	8
39	Clamp	UN-11349	4
40	Amber Reflector	UN-00226	6

A/R = As Required NI = Not Illustrated N/A = Not Applicable

7.2

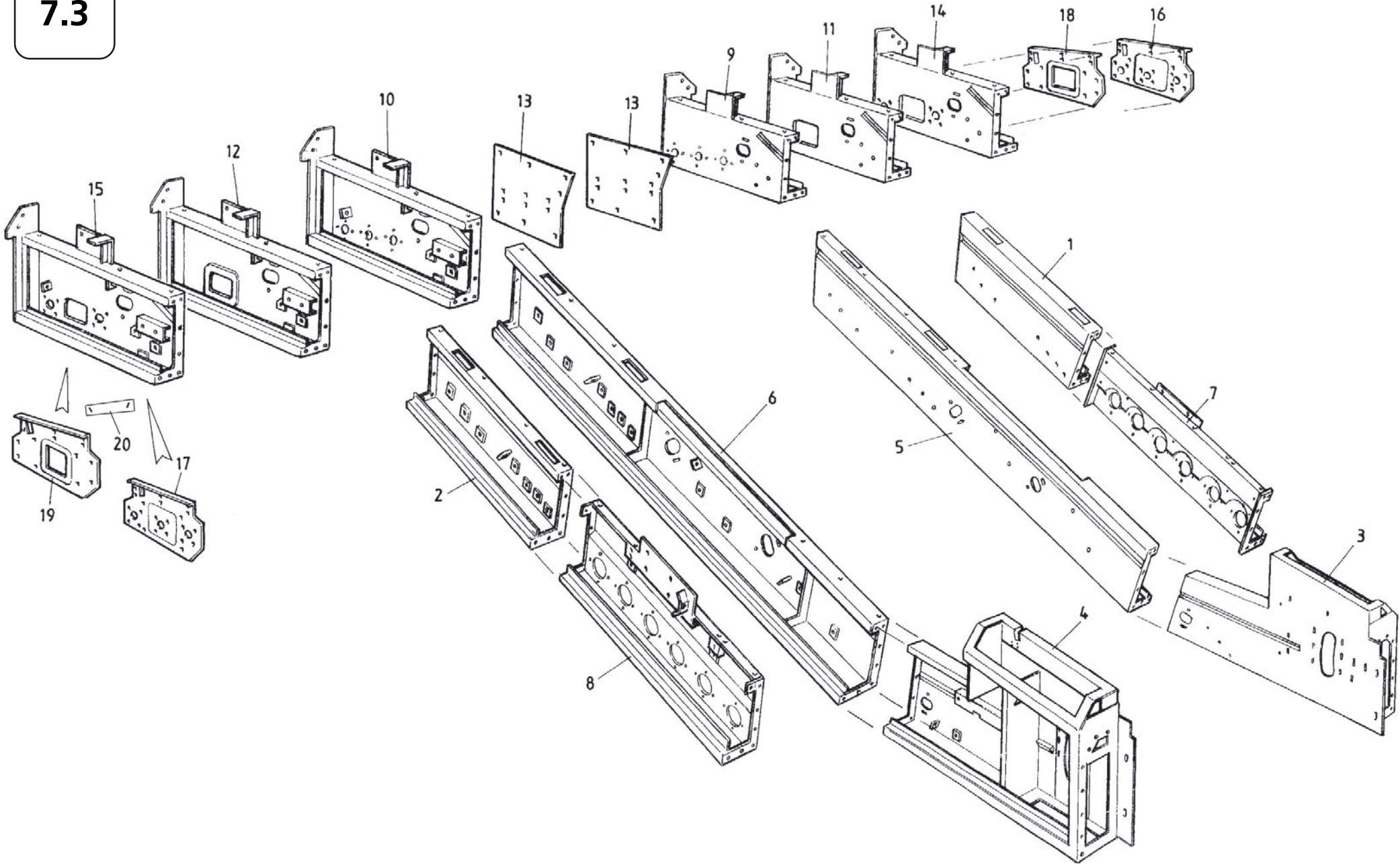


Assembly Group 7.2 - Doors, Guards & Wear Plates (Star machine)

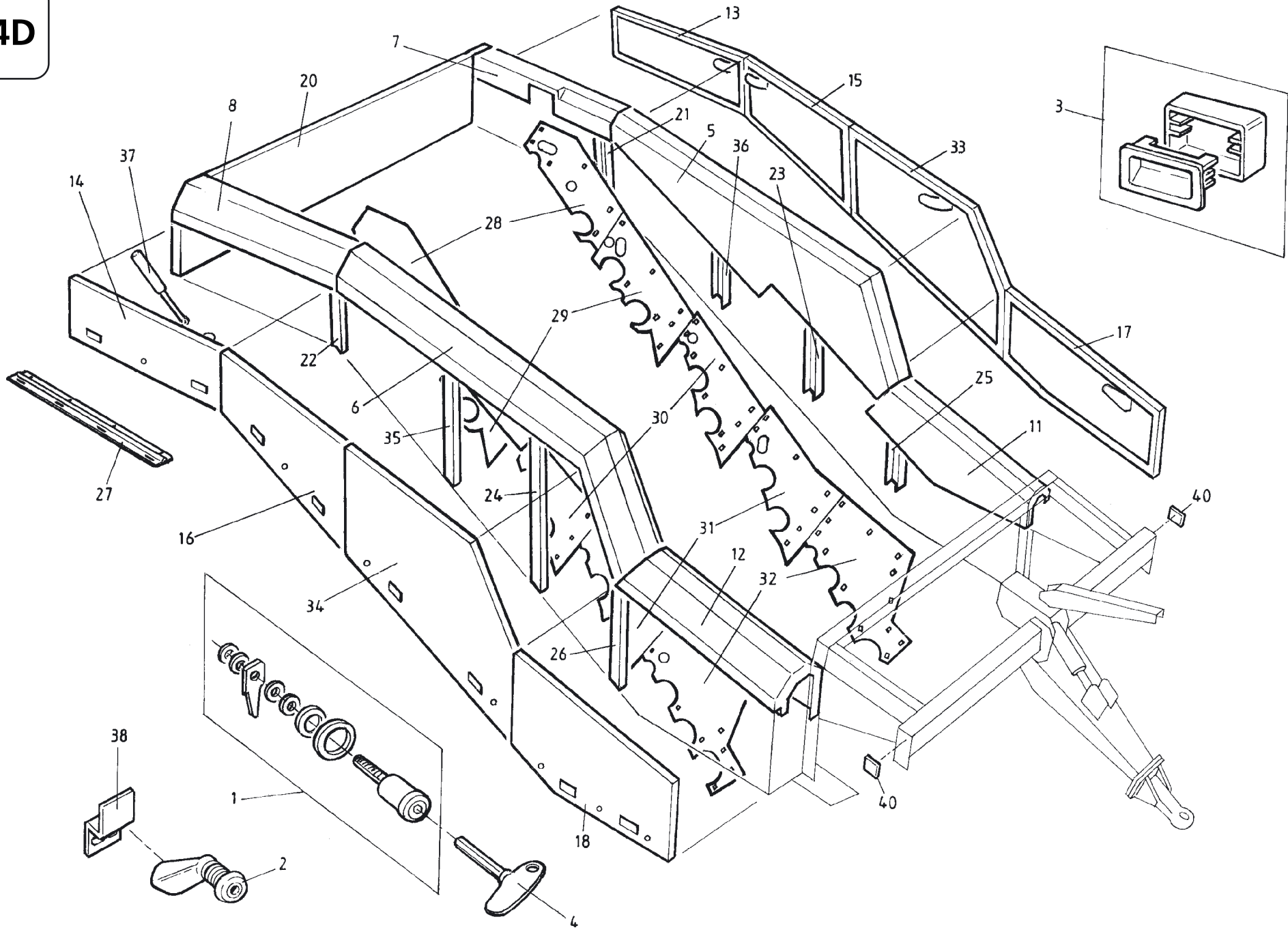
Item	Description	Part No.	Qty.
1	Door Lock (complete)	UN-00222	8
2	Slam Lock (Left Hand - 2005 onwards)	UN-01001	4
2	Slam Lock (Right Hand - 2005 onwards)	UN-01002	4
3	Door Handle (complete) - for Doors	UN-00577	16
3	Door Handle (complete) - for Rotor Hoods	UN-00578	4
4	Door Key	UN-00640	1
5	Middle Guard (Left Hand - Yr. 2004)	UN-10960	1
5	Middle Guard (Left Hand - 2005 onwards)	UN-11525	1
6	Middle Guard (Right Hand - Yr. 2004)	UN-10964	1
6	Middle Guard (Right Hand - 2005 onwards)	UN-11528	1
7	Rear Guard (Left Hand)	UN-10550	1
8	Rear Guard (Right Hand)	UN-10555	1
9	Rotor Drive Guard (Left Hand)	UN-10557	1
10	Rotor Drive Guard (Right Hand)	UN-10559	1
11	Front Guard (Left Hand)	UN-10966	1
12	Front Guard (Right Hand)	UN-10968	1
13	Rear Door (Left Hand)	UN-10577	1
13	Rear Door (Left Hand - Painted 2009 onwards)	UN-15232	1
14	Rear Door (Right Hand)	UN-10581	1
14	Rear Door (Right Hand - Painted 2009 onwards)	UN-15234	1
15	Centre Door (Left Hand)	UN-11033	1
15	Centre Door (Left Hand - Painted 2009 onwards)	UN-15228	1
16	Centre Door (Right Hand)	UN-11037	1
16	Centre Door (Right Hand - Painted 2009 onwards)	UN-15230	1
17	Front Door (Left Hand)	UN-10970	1
17	Front Door (Left Hand - Painted 2009 onwards)	UN-15220	1
18	Front Door (Right Hand)	UN-10973	1
18	Front Door (Right Hand - Painted 2009 onwards)	UN-15222	1
19	Rotor Hood (Narrow Machines - Yr. 2004)	UN-10560	1
19	Rotor Hood (Narrow Machines - 2005 onwards)	UN-11340	1
19	Rotor Hood (Wide Machines - Yr. 2004)	UN-10596	1
19	Rotor Hood (Wide Machines - 2005 onwards)	UN-11365	1
20	Back Panel (Narrow Machines)	UN-10678	1
20	Back Panel (Wide Machines)	UN-10679	1
21	Door Support Strap (Left Hand)	UN-10752	1

Item	Description	Part No.	Qty.
22	Door Support Strap (Right Hand)	UN-10756	1
23	Door Support Strap (Left Hand)	UN-11030	1
24	Door Support Strap (Right Hand)	UN-11039	1
25	Door Support Strap (Left Hand)	UN-10982	1
26	Door Support Strap (Right Hand)	UN-10983	1
27	Door Hinge to suit UN-10577 & UN-10581	UN-10579	
27	Door Hinge to suit UN-11031 & UN-11035	UN-10978	
27	Door Hinge to suit UN-11033 & UN-11037	UN-10978	
27	Door Hinge to suit UN-10970 & UN-10973	UN-10975	
28	Rear Wear Plate (Up to 2008)	UN-10303	2
28	Rear Wear Plate LH (2009 Onwards))	UN-12543	1
28	Rear Wear Plate RH (2009 Onwards))	UN-12544	1
29	4th Wear Plate (Up to 2008)	UN-10302	2
29	4th Wear Plate LH (2009 Onwards)	UN-12541	1
29	4th Wear Plate RH (2009 Onwards)	UN-12542	1
30	Star Box Wear Plate (Up to 2008)	UN-10984	2
30	Star Box Wear Plate LH (2009 Onwards)	UN-12547	1
30	Star Box Wear Plate RH (2009 Onwards)	UN-12548	1
31	Digger Wear Plate (Up to 2008)	UN-10300	2
31	Digger Wear Plate LH (2009 Onwards)	UN-12535	1
31	Digger Wear Plate RH (2009 Onwards)	UN-12536	1
32	Centre Door (Left Hand)	UN-11031	1
32	Centre Door (Left Hand - Painted 2009 onwards)	UN-15224	1
33	Centre Door (Right Hand)	UN-11035	1
33	Centre Door (Right Hand - Painted 2009 onwards)	UN-15226	1
34	Door Support Strap (Left Hand)	UN-10988	1
35	Door Support Strap (Right Hand)	UN-11042	1
36	Door Support Strap (Right Hand)	UN-11043	1
37	Gas Strut	UN-00228	12
38	Slam Lock Bracket	UN-11364	8
39	Clamp	UN-11349	4
40	Amber Reflector	UN-00226	6
41	Gas Strut Mount	UN-10773	1

7.3



7.4D

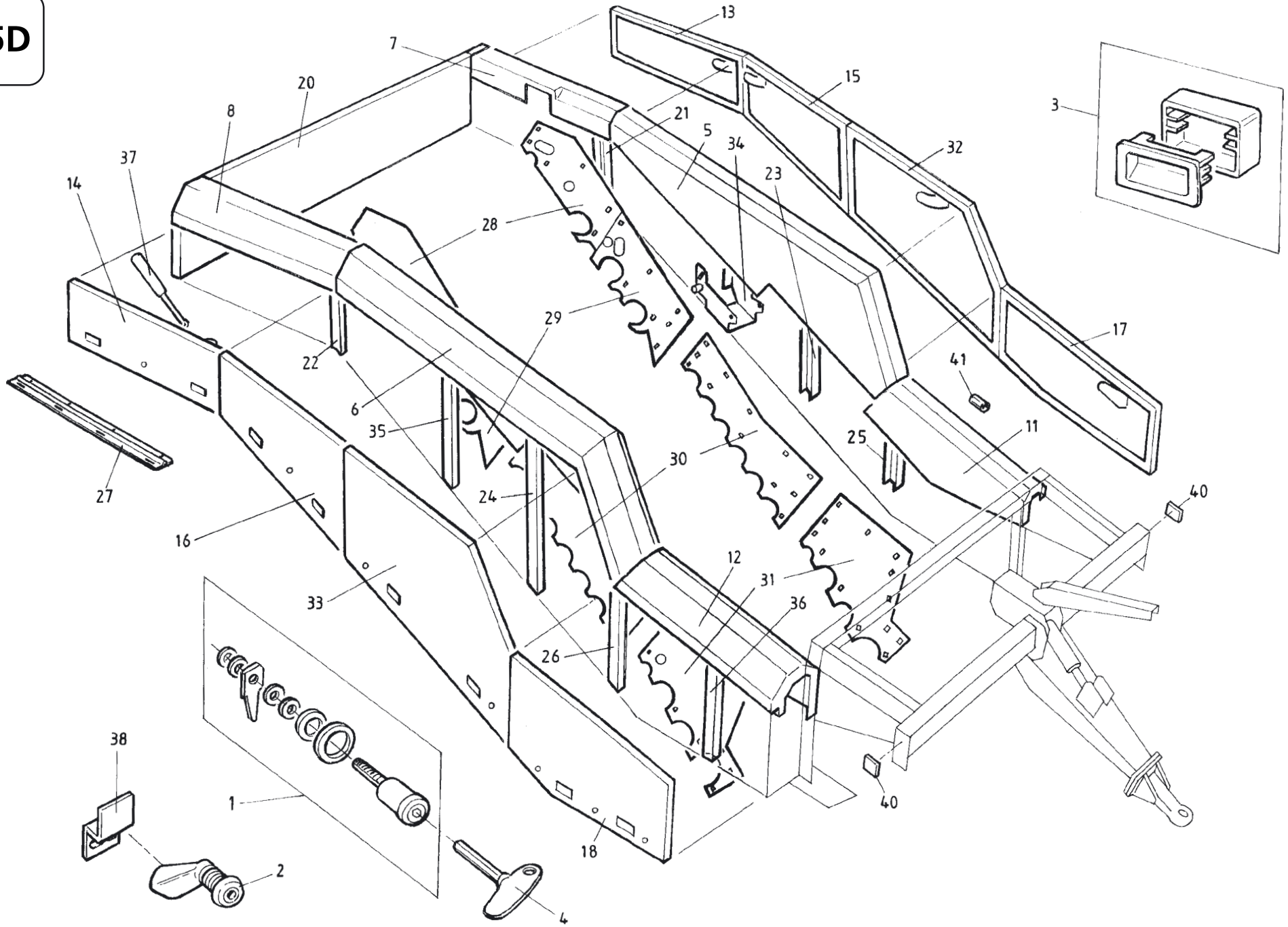


Assembly Group 7.4D - Doors, Guards & Wear Plates (Multiweb machine with Diablo)

Item	Description	Part No.	Qty.
1	Door Lock (complete)	UN-00222	12
2	Slam Lock (Left Hand)	UN-01001	4
2	Slam Lock (Right Hand)	UN-01002	4
3	Door Handle (complete)	UN-00577	14
4	Door Key	UN-00640	1
5	Middle Guard (Left Hand)	UN-11351	1
6	Middle Guard (Right Hand)	UN-11354	1
7	Rear Guard (Left Hand)	UN-10550	1
8	Rear Guard (Right Hand)	UN-10555	1
11	Front Guard (Left Hand)	UN-11356	1
12	Front Guard (Right Hand)	UN-11358	1
13	Rear Door (Left Hand - Up to 2007)	UN-10577	1
13	Rear Door (Left Hand - 2008 onwards)	UN-15232	1
14	Rear Door (Right Hand - Up to 2007)	UN-10581	1
14	Rear Door (Right Hand - 2008 onwards)	UN-15234	1
15	Centre Door (Left Hand - Up to 2007)	UN-11024	1
15	Centre Door (Left Hand - 2008 onwards)	UN-15244	1
16	Centre Door (Right Hand - Up to 2007)	UN-11026	1
16	Centre Door (Right Hand - 2008 onwards)	UN-15246	1
17	Front Door (Left Hand - Up to 2007)	UN-11731	1
17	Front Door (Left Hand - 2008 onwards)	UN-15236	1
18	Front Door (Right Hand - Up to 2007)	UN-11735	1
18	Front Door (Right Hand - 2008 onwards)	UN-15238	1
20	Back Panel	UN-10678	1
21	Door Support Strap (Left Hand)	UN-10752	1
22	Door Support Strap (Right Hand)	UN-10756	1
23	Door Support Strap (Left Hand)	UN-10757	1
24	Door Support Strap (Right Hand)	UN-10761	1
25	Door Support Strap (Left Hand)	UN-10763	1
26	Door Support Strap (Right Hand)	UN-10767	1
27	Door Hinge to suit UN-10577 & UN-10581	UN-10579	
27	Door Hinge to suit UN-11022 & UN-11026	UN-10585	
27	Door Hinge to suit UN-11020 & UN-11024	UN-10585	
27	Door Hinge to suit UN-11731	UN-11733	

Item	Description	Part No.	Qty.
27	Door Hinge to suit UN-11735	UN-11737	
28	Rear Wear Plate (Up to 2008)	UN-10303	2
28	Rear Wear Plate LH (2009 onwards)	UN-12543	1
28	Rear Wear Plate RH (2009 onwards)	UN-12544	1
28	Rear Wear Plate LH (5215W machines - 2009 onwards)	UN-12647	1
28	Rear Wear Plate RH (5215W machines - 2009 onwards)	UN-12648	1
29	4th Wear Plate (Up to 2008)	UN-10302	2
29	4th Wear Plate LH (2009 onwards)	UN-12541	1
29	4th Wear Plate RH (2009 onwards)	UN-12542	1
29	4th Wear Plate LH (5215W machines - 2009 onwards)	UN-12645	1
29	4th Wear Plate RH (5215W machines - 2009 onwards)	UN-12646	1
30	3rd Wear Plate (Up to 2008)	UN-10301	2
30	3rd Wear Plate LH (2009 onwards)	UN-12539	1
30	3rd Wear Plate RH (2009 onwards)	UN-12540	1
31	2nd Wear Plate (Up to 2008)	UN-10770	2
31	2nd Wear Plate LH (2009 onwards)	UN-12537	1
31	2nd Wear Plate RH (2009 onwards)	UN-12538	1
32	Digger Wear Plate (Up to 2008)	UN-10300	2
32	Digger Wear Plate LH (2009 onwards)	UN-12535	1
32	Digger Wear Plate RH (2009 onwards)	UN-12536	1
33	Centre Door (Left Hand - Up to 2007)	UN-11020	1
33	Centre Door (Left Hand - 2008 onwards)	UN-15240	1
34	Centre Door (Right Hand - Up to 2007)	UN-11022	1
34	Centre Door (Right Hand - 2008 onwards)	UN-15242	1
35	Door Support Strap (Right Hand)	UN-11046	1
36	Door Support Strap (Left Hand)	UN-11045	1
37	Gas Strut	UN-00228	10
38	Slam Lock Bracket	UN-11364	8
40	Amber Reflector	UN-00226	6

7.5D

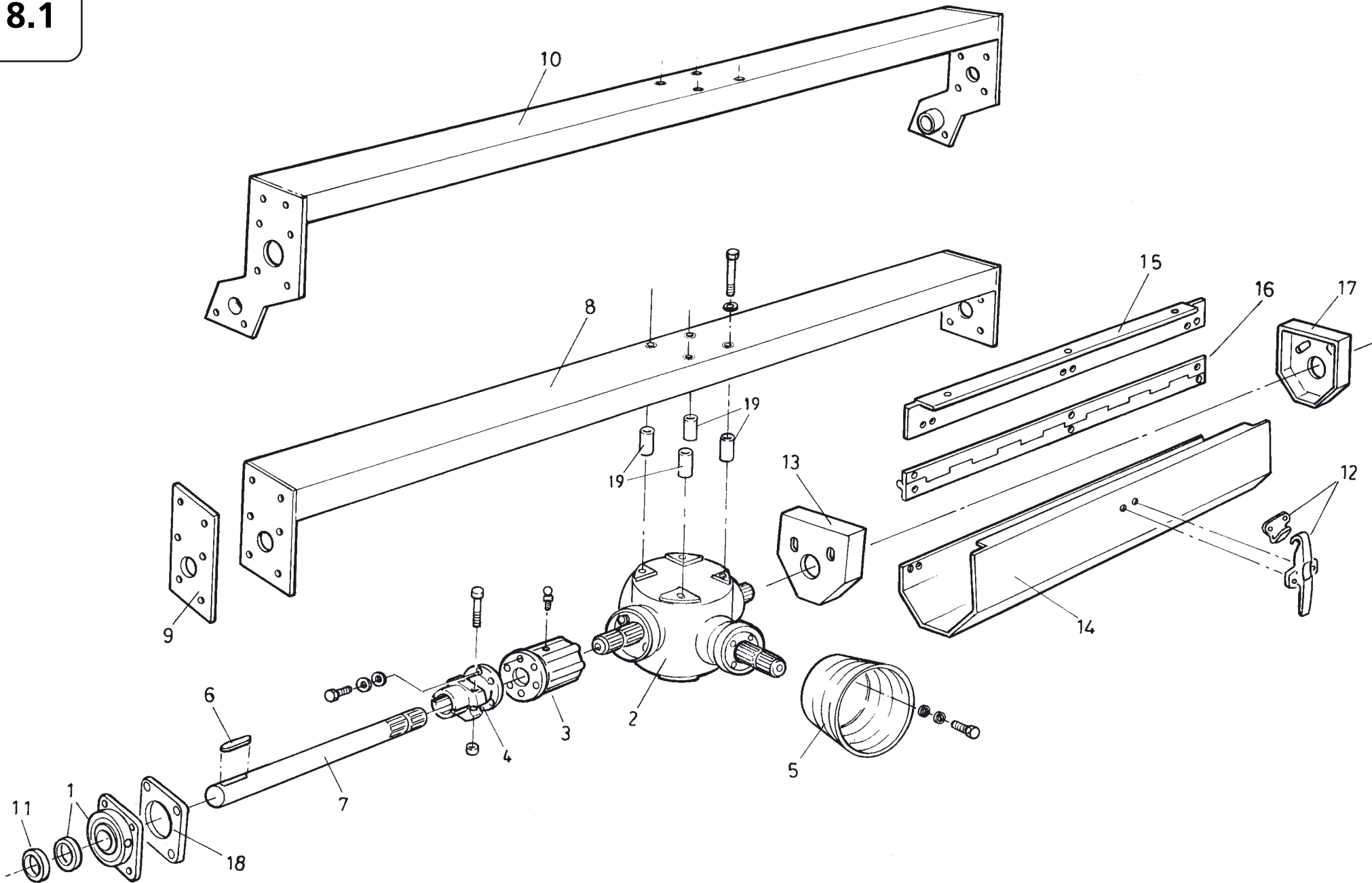


Assembly Group 7.5D - Doors, Guards & Wear Plates (Star machine with Diablo)

Item	Description	Part No.	Qty.
1	Door Lock (complete)	UN-00222	10
2	Slam Lock (Left Hand)	UN-01001	4
2	Slam Lock (Right Hand)	UN-01002	4
3	Door Handle (complete)	UN-00577	14
4	Door Key	UN-00640	1
5	Middle Guard (Left Hand)	UN-11525	1
6	Middle Guard (Right Hand)	UN-11528	1
7	Rear Guard (Left Hand)	UN-10550	1
8	Rear Guard (Right Hand)	UN-10555	1
11	Front Guard (Left Hand)	UN-10966	1
12	Front Guard (Right Hand)	UN-10968	1
13	Rear Door (Left Hand - Up to 2007)	UN-10577	1
13	Rear Door (Left Hand - 2008 onwards)	UN-15232	1
14	Rear Door (Right Hand - Up to 2007)	UN-10581	1
14	Rear Door (Right Hand - 2008 onwards)	UN-15234	1
15	Centre Door (Left Hand - Up to 2007)	UN-11033	1
15	Centre Door (Left Hand - 2008 onwards)	UN-15228	1
16	Centre Door (Right Hand - Up to 2007)	UN-11037	1
16	Centre Door (Right Hand - 2008 onwards)	UN-15230	1
17	Front Door (Left Hand - Up to 2007)	UN-11723	1
17	Front Door (Left Hand - 2008 onwards)	UN-15220	1
18	Front Door (Right Hand - Up to 2007)	UN-11727	1
18	Front Door (Right Hand - 2008 onwards)	UN-15222	1
20	Back Panel	UN-10678	1
21	Door Support Strap (Left Hand)	UN-10752	1
22	Door Support Strap (Right Hand)	UN-10756	1
23	Door Support Strap (Left Hand)	UN-11030	1
24	Door Support Strap (Right Hand)	UN-11039	1
25	Door Support Strap (Left Hand)	UN-10982	1
26	Door Support Strap (Right Hand)	UN-10983	1
27	Door Hinge to suit UN-10577 & UN-10581	UN-10579	
27	Door Hinge to suit UN-11031 & UN-11035	UN-10978	
27	Door Hinge to suit UN-11033 & UN-11037	UN-10978	
27	Door Hinge to suit UN-11723	UN-11725	

Item	Description	Part No.	Qty.
27	Door Hinge to suit UN-11727	UN-11729	
28	Rear Wear Plate (Up to 2008)	UN-10303	2
28	Rear Wear Plate LH (2009 onwards)	UN-12543	1
28	Rear Wear Plate RH (2009 onwards)	UN-12544	1
29	4th Wear Plate (Up to 2008)	UN-10302	2
29	4th Wear Plate LH (2009 onwards)	UN-12541	1
29	4th Wear Plate RH (2009 onwards)	UN-12542	1
30	Star Box Wear Plate (Up to 2008)	UN-10984	2
30	Star Box Wear Plate LH (2009 onwards)	UN-12547	1
30	Star Box Wear Plate RH (2009 onwards)	UN-12548	1
31	Digger Wear Plate (Up to 2008)	UN-10300	2
31	Digger Wear Plate LH (2009 onwards)	UN-12535	1
31	Digger Wear Plate RH (2009 onwards)	UN-12536	1
32	Centre Door (Left Hand - Up to 2007)	UN-11031	1
32	Centre Door (Left Hand - 2008 onwards)	UN-15224	1
33	Centre Door (Right Hand - Up to 2007)	UN-11035	1
33	Centre Door (Right Hand - 2008 onwards)	UN-15226	1
34	Door Support Strap (Left Hand)	UN-10988	1
35	Door Support Strap (Right Hand)	UN-11042	1
36	Door Support Strap (Right Hand)	UN-11043	1
37	Gas Strut	UN-00228	10
38	Slam Lock Bracket	UN-11364	8
40	Amber Reflector	UN-00226	6
41	Gas Strut Mount	UN-10773	1

8.1



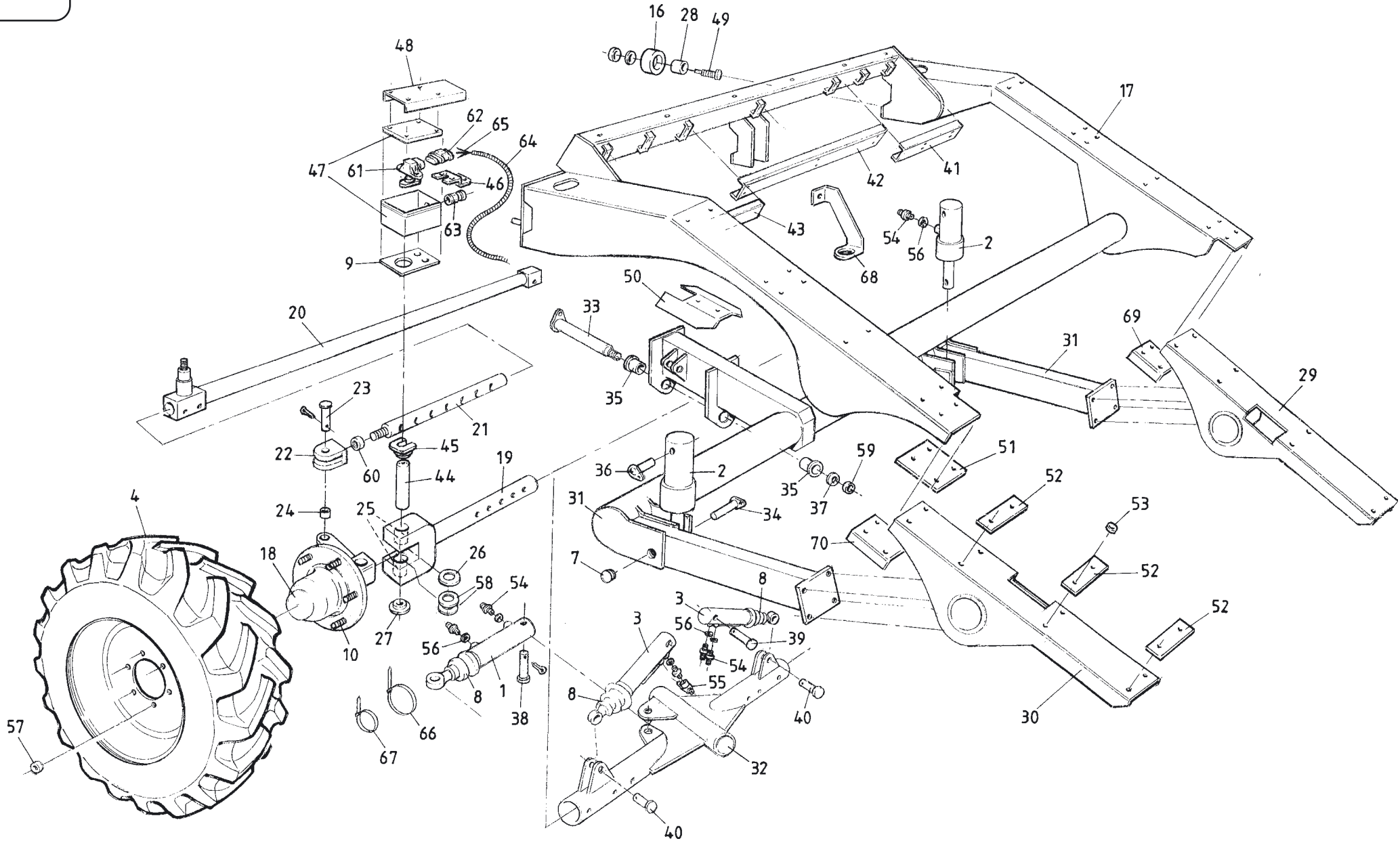
Assembly Group 8.1 - Web Drive Gearbox & Support Bridge

Item	Description	Part No.	Qty.
1	4 Hole Bearing for 45mm Shaft	UN-00234	2
2	Gearbox	UN-00272	1
3	4 Row Clutch (Complete)	UN-00506	2
4	Splined Coupling	UN-12070	2
5	P.T.O. Guard	UN-00584	1
6	Key 14 x 9 x 140 (2 Round Ends)	UN-00795	2
7	Driven Shaft (Narrow machines)	UN-10057	2
7	Driven Shaft (Wide machines)	UN-10058	2
8	Gearbox Mount (Narrow Multiweb machines)	UN-11970	1
8	Gearbox Mount (Wide Multiweb machines)	UN-11975	1
8	Gearbox Mount (Narrow Star machines - 2005 onwards)	UN-11970	1
8	Gearbox Mount (Wide Star machines - 2005 onwards)	UN-11975	1
9	Packer Plate (Multiweb machines only - Yr. 2004)	UN-10071	2
10	Gearbox Mount (Narrow Star machines - Yr. 2004)	UN-10072	1
10	Gearbox Mount (Wide Star machines - Yr. 2004)	UN-10996	1
11	Pulley Spacer (Star machines only)	UN-10477	2
12	2 Piece Latch	UN-00579	2
13	Inner End Plate	UN-10780	2
14	Shaft Cover (Narrow machines)	UN-10784	2
14	Shaft Cover (Wide machines)	UN-10792	2
15	Hinge Mount (Narrow machines)	UN-10785	2
15	Hinge Mount (Wide machines)	UN-10793	2
16	Hinge (Narrow machines)	UN-10786	2
16	Hinge (Wide machines)	UN-10794	2
17	Outer End Plate	UN-10787	2
18	Bearing Spacer	UN-10514	2
19	Spacer	UN-11974	4

Item	Description	Part No.	Qty.

A/R = As Required NI = Not Illustrated N/A = Not Applicable

9.1



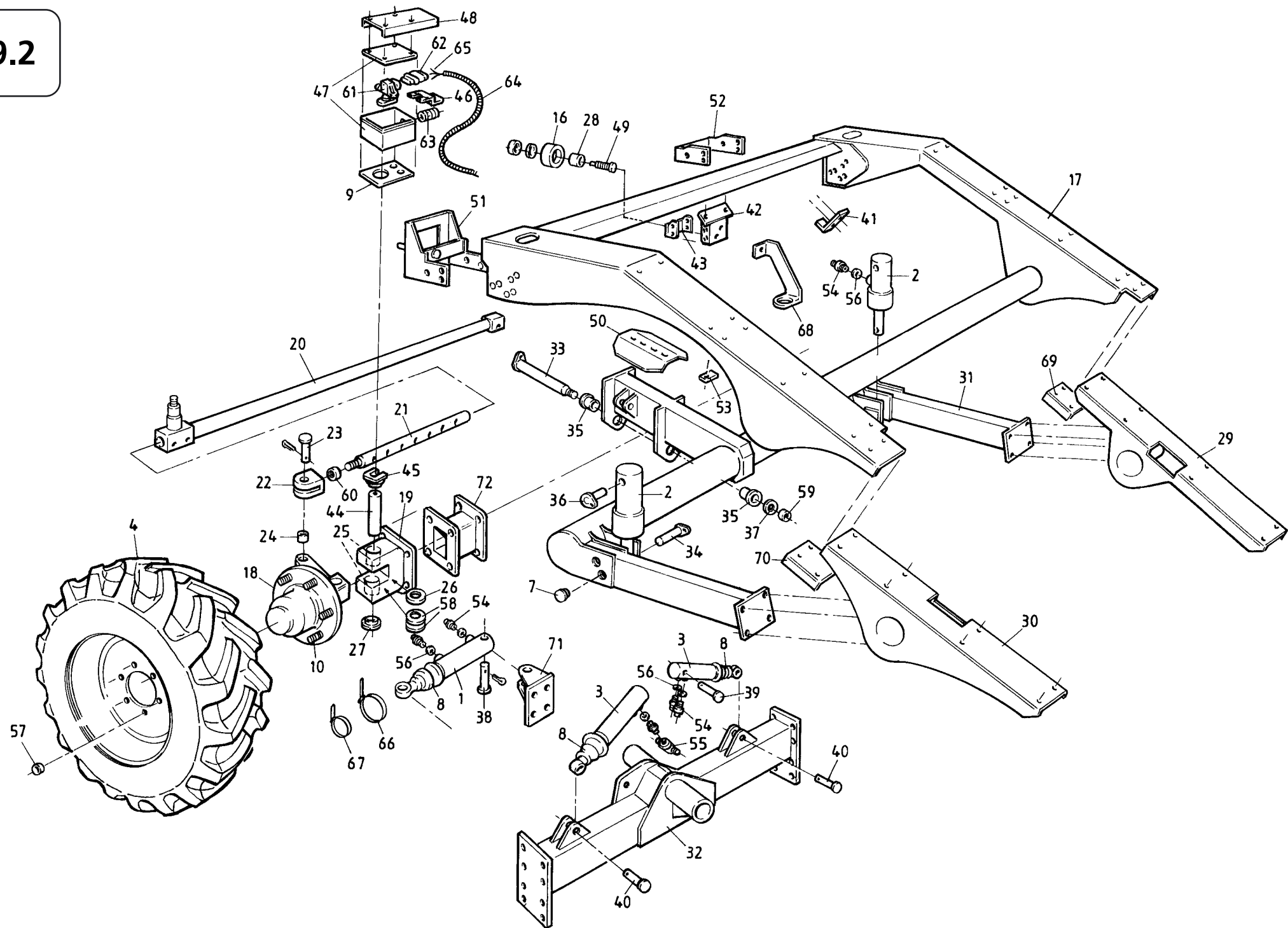
Assembly Group 9.1 - Axle Assembly (Yr. 2004)

Item	Description	Part No.	Qty.
1	Steering Ram	UN-00113	1
1A	Steering Ram Seal Kit	UN-00114	
2	Rear Lift Ram	UN-00115	2
2A	Rear Lift Ram Seal Kit	UN-00116	
3	Levelling Ram	UN-00117	2
3A	Levelling Ram Seal Kit	UN-00114	
4	Wheel (Complete) 335 / 80 R20 Track Grip	UN-00233	2
	Wheel Rim Only	UN-00428	2
	Tyre Only	UN-00429	2
7	Plastic Plug	UN-00586	2
8	Ram Boot	UN-00589	3
9	Rubber Mat	UN-00592	1
10	Wheel Stud	UN-00705	12
16	Cross Conveyor Roller	UN-10655	2
17	Support Assembly (Narrow Machines)	UN-10080	1
17	Support Assembly (Wide Machines)	UN-10098	1
18	Stub Assembly	UN-10105	2
19	Axle Stub	UN-10115	2
20	Track Tube (Narrow Machines)	UN-10150	1
20	Track Tube (Wide Machines)	UN-10155	1
21	Track Rod	UN-10157	2
22	Track Rod End	UN-10158	2
23	Track Rod Pin	UN-10159	2
24	Track Rod Arm Bush	UN-10160	2
25	Stub Pin Bush	UN-10161	4
26	Axle Thrust Washer	UN-10162	2
27	End Cap	UN-10163	3
28	Roller Bush	UN-10164	2
29	LH Frame Support	UN-10180	1
30	RH Frame Support	UN-10186	1
31	Axle Mount Assembly (Narrow Machines)	UN-10188	1
31	Axle Mount Assembly (Wide Machines)	UN-10201	1
32	Axle Tube (Wide Machines)	UN-10203	1
32	Axle Tube (Narrow Machines)	UN-10270	1
33	Levelling Axle Pivot Pin	UN-10281	1
34	Rear Lift Ram Pin - Lower	UN-10284	2
35	Pivot Pin Bush	UN-10287	2

Item	Description	Part No.	Qty.
36	Rear Lift Ram Pin - Upper	UN-10288	2
37	Clamp Washer	UN-10290	1
38	Steering Ram Pin	UN-10291	1
39	Levelling Ram Pin - Upper	UN-10292	2
40	Levelling Ram Pin - Lower	UN-10293	2
41	LH Pipe Clamp	UN-11372	1
42	Centre Pipe Clamp (Narrow Machines)	UN-11371	1
42	Centre Pipe Clamp (Wide Machines)	UN-11373	1
43	RH Pipe Clamp	UN-11374	1
44	Axle Stub Pin	UN-10497	2
45	Sensor Pin Mount	UN-10510	1
46	Sensor Bracket	UN-10511	1
47	Sensor Box	UN-10512	1
48	Deflector	UN-10513	1
49	Roller Pin	UN-10656	2
50	Deflector Plate	UN-10796	1
51	4 Hole Stiffener Plate	UN-11015	2
52	2 Hole Stiffener Plate - (Multiweb Machines)	UN-11016	6
52	2 Hole Stiffener Plate - (Star Machines)	UN-11019	6
53	Washer	UN-11017	16
54	3/8" x 1/4" BSP MM Adapter	UN-05003	8
55	1/4" BSP MMF Tee	UN-05055	2
56	3/8" Dowty Washer	UN-05101	8
57	Wheel Nut		12
58	M36 Plain Washer	W4M36	4
59	M24 Full Nut		1
60	M24 Half Nut		2
61	Sensor	UN-00923	1
62	Sensor Connector	UN-00924	1
63	10mm Cable Gland	UN-00925	1
64	Flexi-Conduit	UN-00926	1
65	3 Core Cable	UN-00927	1
66	Cable Tie - Large	UN-00896	3
67	Cable Tie - Small	UN-00895	3
68	Hose Support Bracket	UN-11007	1
69	Clamp / Ram Mount Plate (Left Hand)	UN-11050	1
70	Clamp / Ram Mount Plate (Right Hand)	UN-11051	1

A/R = As Required NI = Not Illustrated N/A = Not Applicable

9.2



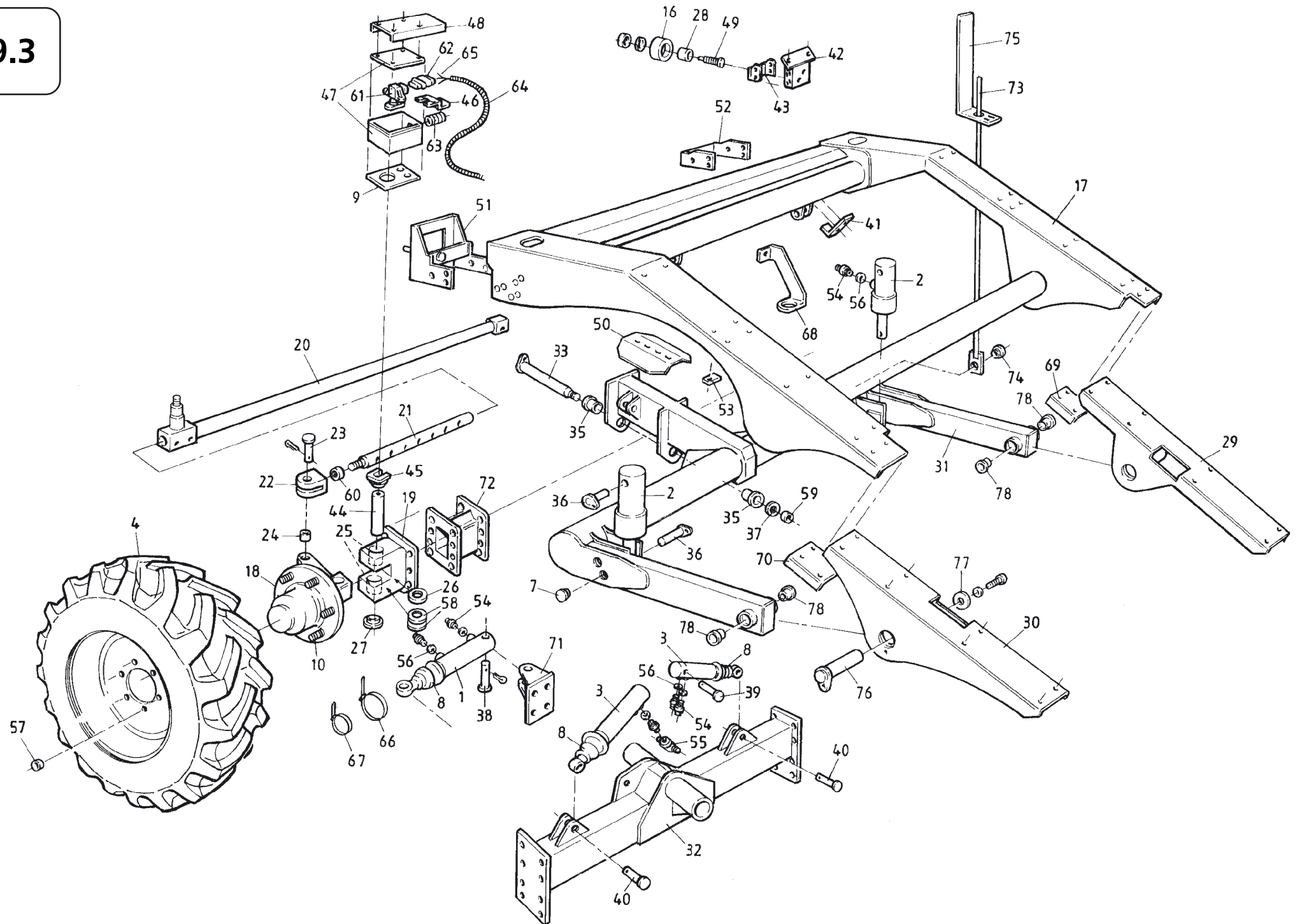
Assembly Group 9.2 - Axle Assembly (Yr. 2005)

Item	Description	Part No.	Qty.
1	Steering Ram	UN-00113	1
1A	Steering Ram Seal Kit	UN-00114	
2	Rear Lift Ram	UN-00139	2
2A	Rear Lift Ram Seal Kit	UN-00140	
3	Levelling Ram	UN-00117	2
3A	Levelling Ram Seal Kit	UN-00114	
4	Wheel (Complete) 335 / 80 R20 Track Grip	UN-00233	2
	Wheel Rim Only	UN-00428	2
	Tyre Only	UN-00429	2
4	Wheel (Complete) 12.5 / 80 x 18 Track Grip	UN-01135	2
	Wheel Rim Only	UN-01715	2
	Tyre Only	UN-01716	2
7	Plastic Plug	UN-00586	2
8	Ram Boot	UN-00589	3
9	Rubber Mat	UN-00592	1
10	Wheel Stud	UN-00705	12
16	Cross Conveyor Roller	UN-10655	2
17	Support Assembly (Narrow Machines)	UN-11140	1
17	Support Assembly (Wide Machines)	UN-11150	1
18	Stub Assembly	UN-10105	2
19	Axle Stub	UN-11120	2
20	Track Tube	UN-11138	1
21	Track Rod	UN-10157	2
22	Track Rod End	UN-10158	2
23	Track Rod Pin	UN-10159	2
24	Track Rod Arm Bush	UN-10160	2
25	Stub Pin Bush	UN-10161	4
26	Axle Thrust Washer	UN-10162	2
27	End Cap	UN-10163	3
28	Roller Bush	UN-10164	2
29	LH Frame Support	UN-10180	1
30	RH Frame Support	UN-10186	1
31	Axle Mount Assembly (Narrow Machines)	UN-10188	1
31	Axle Mount Assembly (Wide Machines)	UN-10201	1
32	Axle Crossmember	UN-11110	1
33	Levelling Axle Pivot Pin	UN-10281	1
35	Pivot Pin Bush	UN-10287	2
36	Rear Lift Ram Pin	UN-10288	4
37	Clamp Washer	UN-10290	1

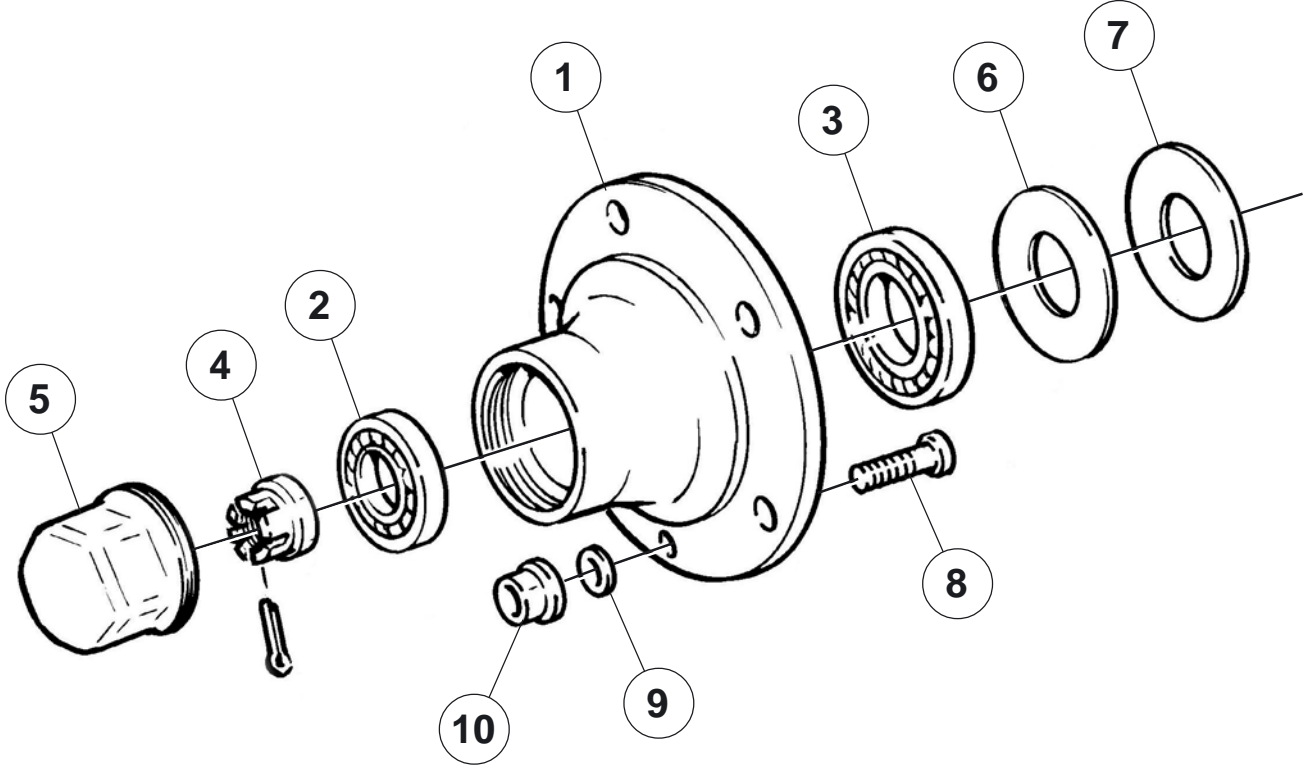
Item	Description	Part No.	Qty.
38	Steering Ram Pin	UN-10291	1
39	Levelling Ram Pin - Upper	UN-10292	2
40	Levelling Ram Pin - Lower	UN-10293	2
41	Pipe Clamp	UN-11199	4
42	Centre Roller Mount	UN-11154	1
43	Centre Roller Support	UN-11158	1
44	Axle Stub Pin	UN-10497	2
45	Sensor Pin Mount	UN-10510	1
46	Sensor Bracket	UN-10511	1
47	Sensor Box	UN-10512	1
48	Deflector	UN-10513	1
49	Roller Pin	UN-10656	2
50	Deflector Plate	UN-10796	1
51	Roller Support (Right Hand - Narrow Machines)	UN-11160	1
51	Roller Support (Right Hand - Wide Machines)	UN-11195	1
52	Roller Support (Left Hand)	UN-11159	1
53	Hose Support	UN-10296	4
54	3/8" x 1/4" BSP MM Adapter	UN-05003	8
55	1/4" BSP MMF Tee	UN-05055	2
56	3/8" Dowty Washer	UN-05101	8
57	Wheel Nut		12
58	M36 Plain Washer	W4M36	4
59	M24 Full Nut		1
60	M24 Half Nut		2
61	Sensor	UN-00923	1
62	Sensor Connector	UN-00924	1
63	10mm Cable Gland	UN-00925	1
64	Flexi-Conduit	UN-00926	1
65	3 Core Cable	UN-00927	1
66	Cable Tie - Large	UN-00896	3
67	Cable Tie - Small	UN-00895	3
68	Hose Support Bracket	UN-11007	1
69	Clamp / Ram Mount Plate (Left Hand)	UN-11050	1
70	Clamp / Ram Mount Plate (Right Hand)	UN-11051	1
71	Ram Mount Bracket	UN-11125	1
72	Axle Extension - 68"	UN-11129	2
72	Axle Extension - 72"	UN-11132	2
72	Axle Extension - 76"	UN-11134	2
72	Axle Extension - 80"	UN-11136	2

A/R = As Required NI = Not Illustrated N/A = Not Applicable

9.3



9.4



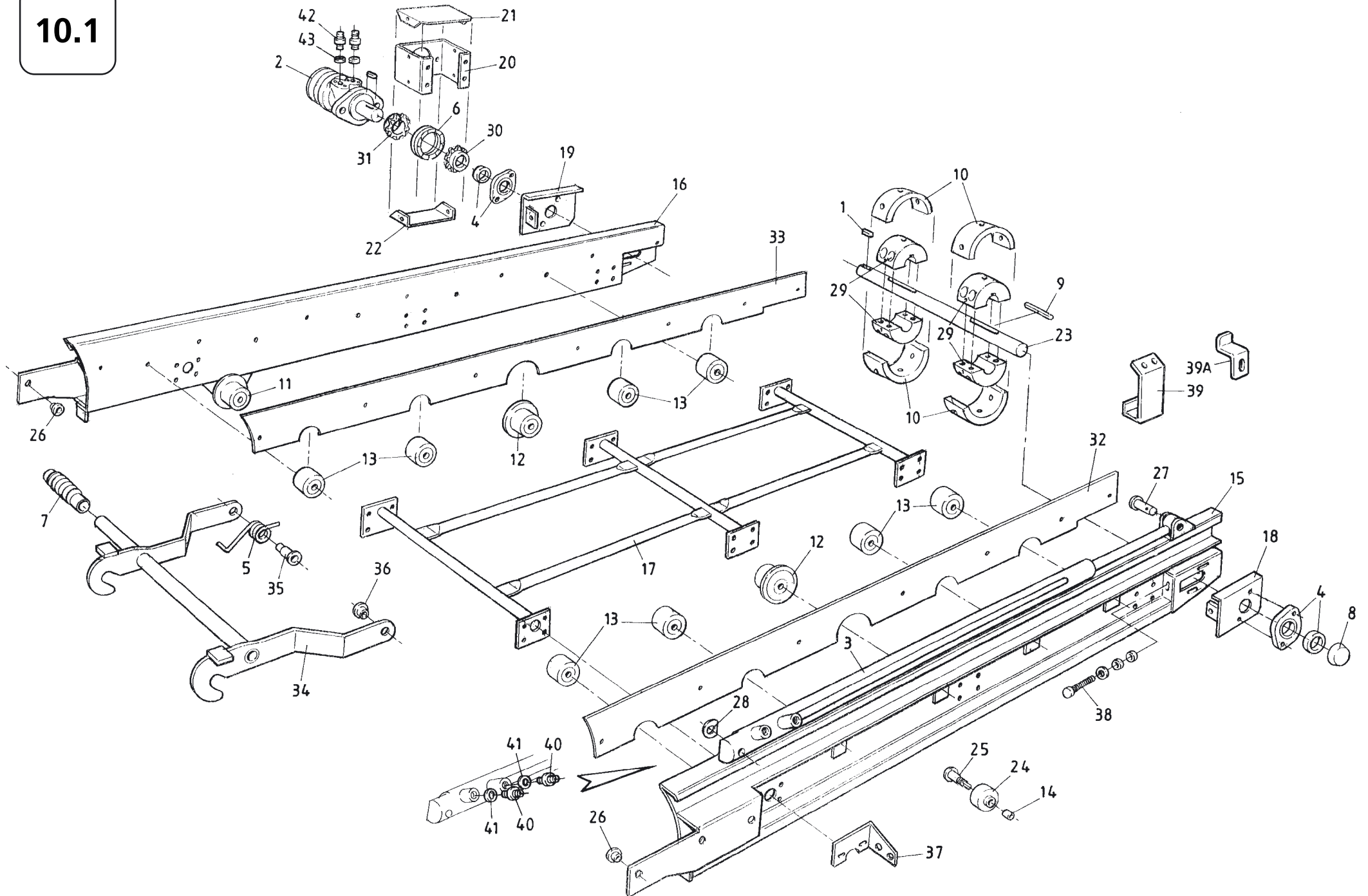
Assembly Group 9.4 - Hub Assembly

2004 Machines

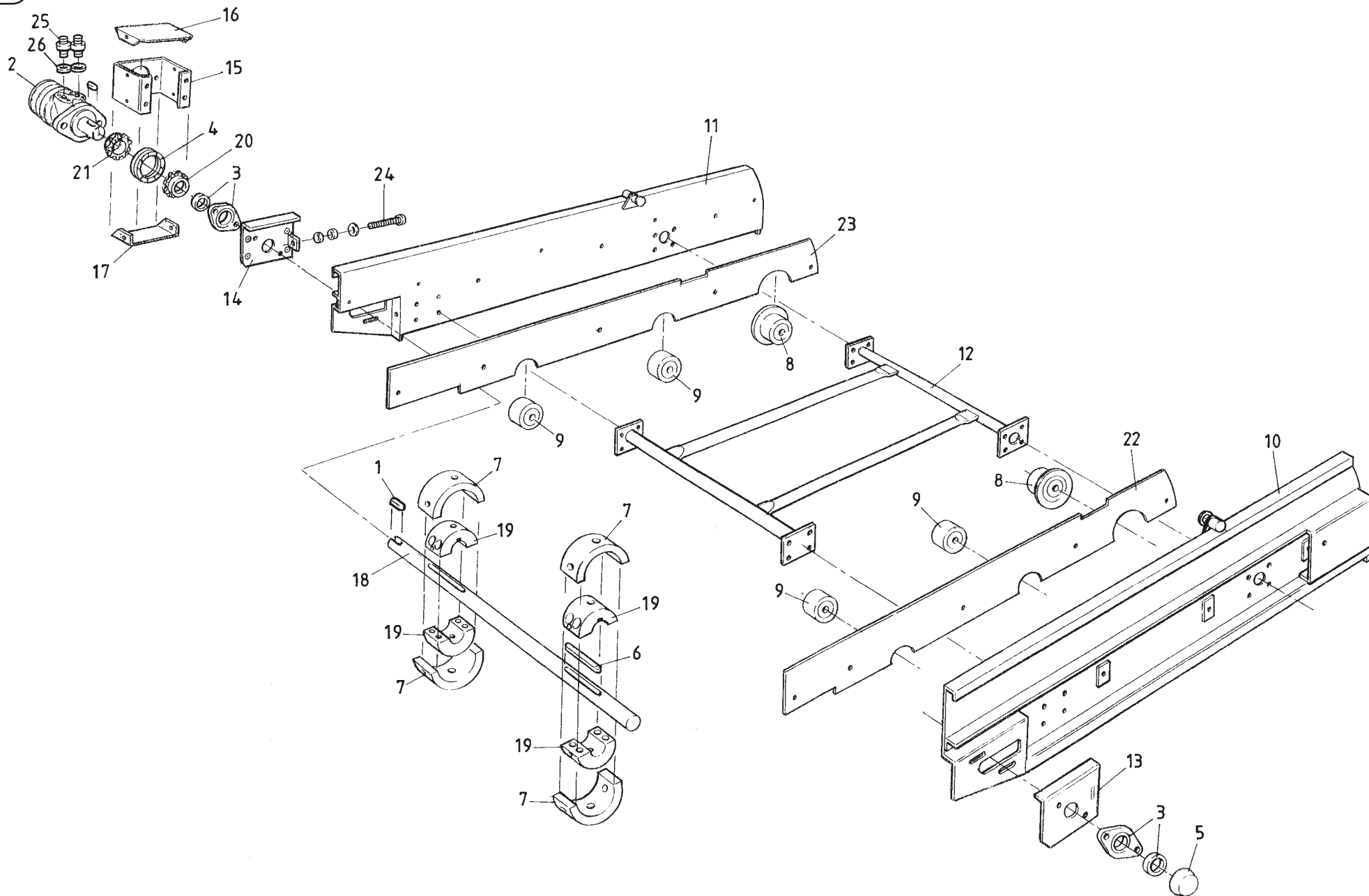
Machines from 2005 Onwards

Item	Description	for FAD Hub	for ROC Hub
1	Hub	UN-00700	UN-00716
2	Outer Bearing	UN-00242	UN-00242
3	Inner Bearing	UN-00243	UN-00249
4	Nut	UN-00702	UN-00717
5	Hub Cap	UN-00701	UN-00715
6	Seal	UN-00706	UN-00718
7	Outer Backplate	UN-00719	UN-00719
8	Stud	UN-00705	UN-01477
9	Bevel Washer	UN-00873	-
10	Wheel Nut	UN-00872	(Cone Type) UN-01478 (Flat Type) UN-00872

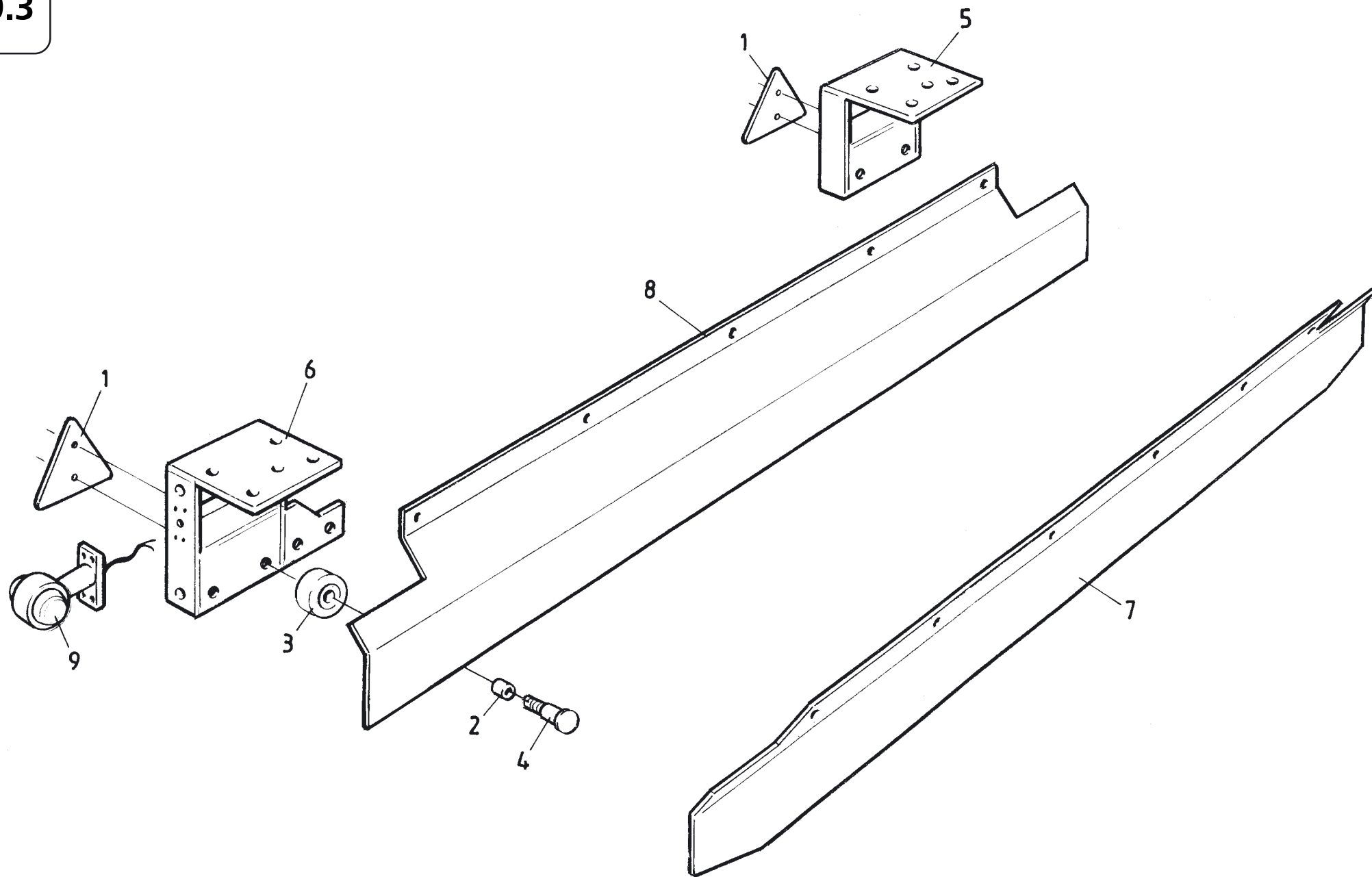
10.1



10.2



10.3



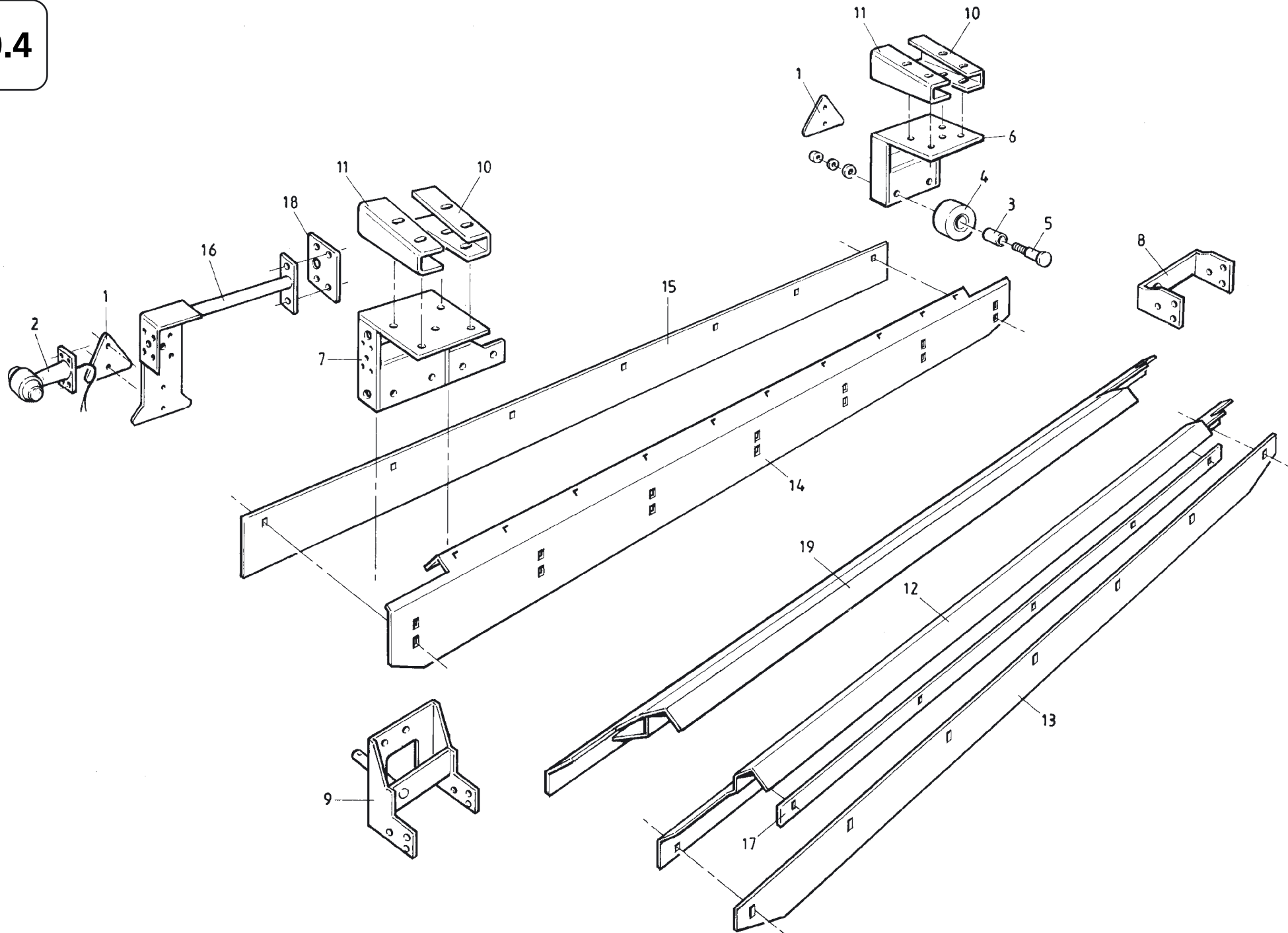
Assembly Group 10.3 - Cross Conveyor Supports and Deflectors (Yr. 2004)

Item	Description	Part No.	Qty.
1	Triangular Reflector	UN-00225	2
2	Roller Bush	UN-10164	2
3	Support Roller	UN-10655	2
4	Roller Spindle	UN-10656	2
5	Cross Conveyor Support LH	UN-10665	1
6	Cross Conveyor Support RH	UN-10666	1
7	Front Deflector (Narrow machines)	UN-10674	1
7	Front Deflector (Wide machines)	UN-10676	1
8	Rear Deflector (Narrow machines - Basic)	UN-12124	1
8	Rear Deflector (Wide machines - Basic)	UN-12125	1
8	Rear Deflector (Narrow machines with Stone Box)	UN-11466	1
8	Rear Deflector (Wide machines with Stone Box)	UN-11467	1
9	Rear Light	UN-00920	1

Item	Description	Part No.	Qty.

A/R = As Required NI = Not Illustrated N/A = Not Applicable

10.4

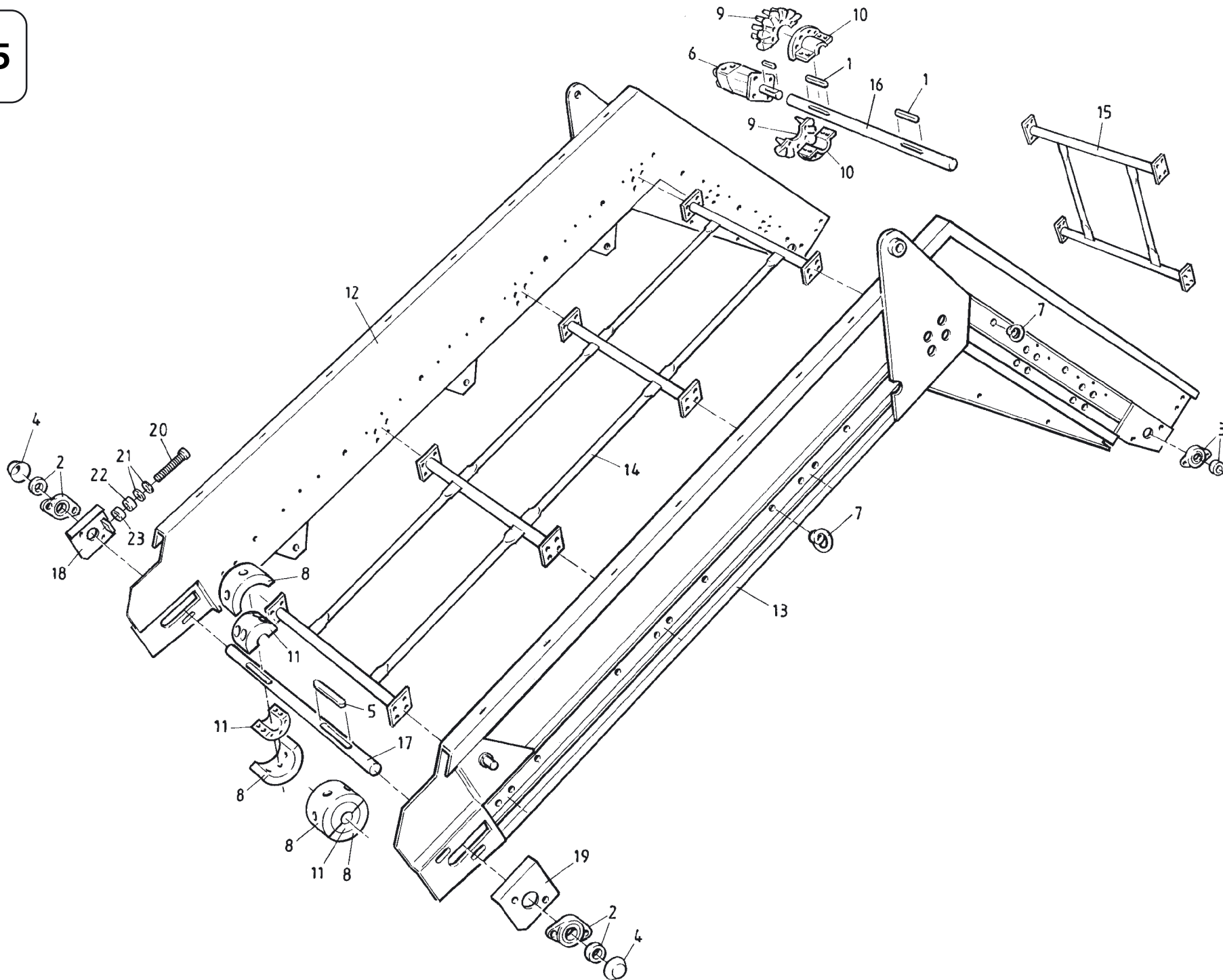


Assembly Group 10.4 - Cross Conveyor Supports and Deflectors (2005 onwards)

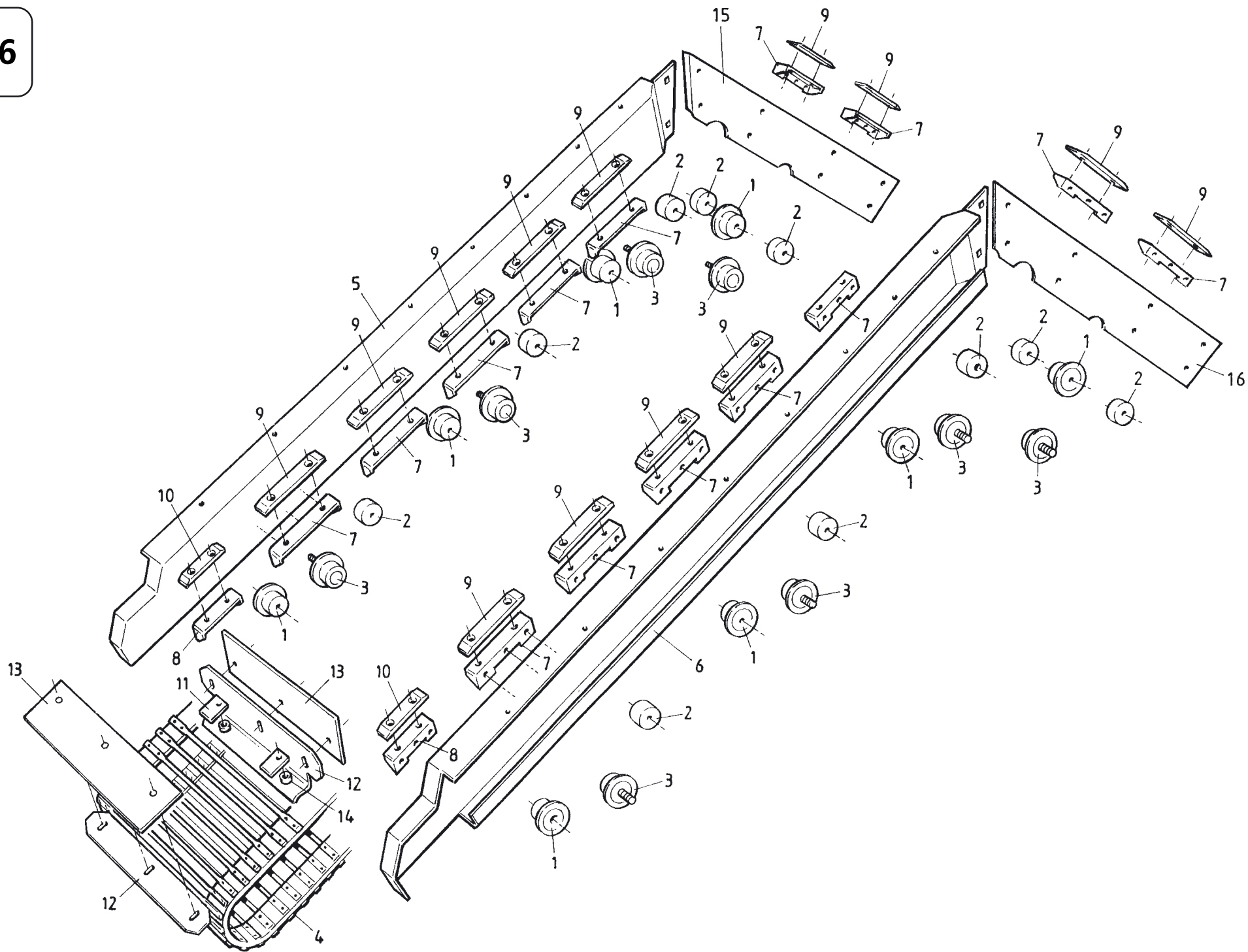
Item	Description	Part No.	Qty.
1	Triangular Reflector	UN-00225	2
2	Rear Light	UN-00920	1
3	Roller Bush	UN-10164	4
4	Support Roller	UN-10655	4
5	Roller Spindle	UN-10656	4
6	Cross Conveyor Support LH	UN-10665	1
7	Cross Conveyor Support RH	UN-10666	1
8	Roller Support LH	UN-11159	1
8	Roller Support LH (Machines with Loading Elevator only)	UN-12017	1
9	Roller Support RH (Narrow machines)	UN-11160	1
9	Roller Support RH (Wide machines)	UN-11195	1
10	Wedge LH	UN-11165	2
11	Wedge RH	UN-11166	2
12	Front Deflector (Narrow machines - Yr. 2005)	UN-11167	1
12	Front Deflector (Wide machines - Yr. 2005)	UN-11171	1
13	Front Deflector Extension (Narrow machines - Yr. 2005)	UN-11168	1
13	Front Deflector Extension (Wide machines - Yr. 2005)	UN-11172	1
14	Rear Deflector (Narrow machines - Basic)	UN-10675	1
14	Rear Deflector (Wide machines - Basic)	UN-10677	1
14	Rear Deflector (Narrow machines - with Stone Box)	UN-12126	1
14	Rear Deflector (Wide machines - with Stone Box)	UN-12127	1
*15	Rear Deflector Extension (Narrow machines)	UN-12128	1
*15	Rear Deflector Extension (Wide machines)	UN-12129	1
16	Extended Light Bracket	UN-11550	1
17	Front Deflector Spacer (Narrow machines - Yr. 2005)	UN-11075	1
17	Front Deflector Spacer (Wide machines - Yr. 2005)	UN-11076	1
18	Light Mount Plate	UN-11554	1
19	Front Deflector (Narrow machines - 2006 onwards)	UN-12118	1
19	Front Deflector (Wide machines - 2006 onwards)	UN-12121	1
	*Only required when items 10 & 11 are fitted.		

Item	Description	Part No.	Qty.

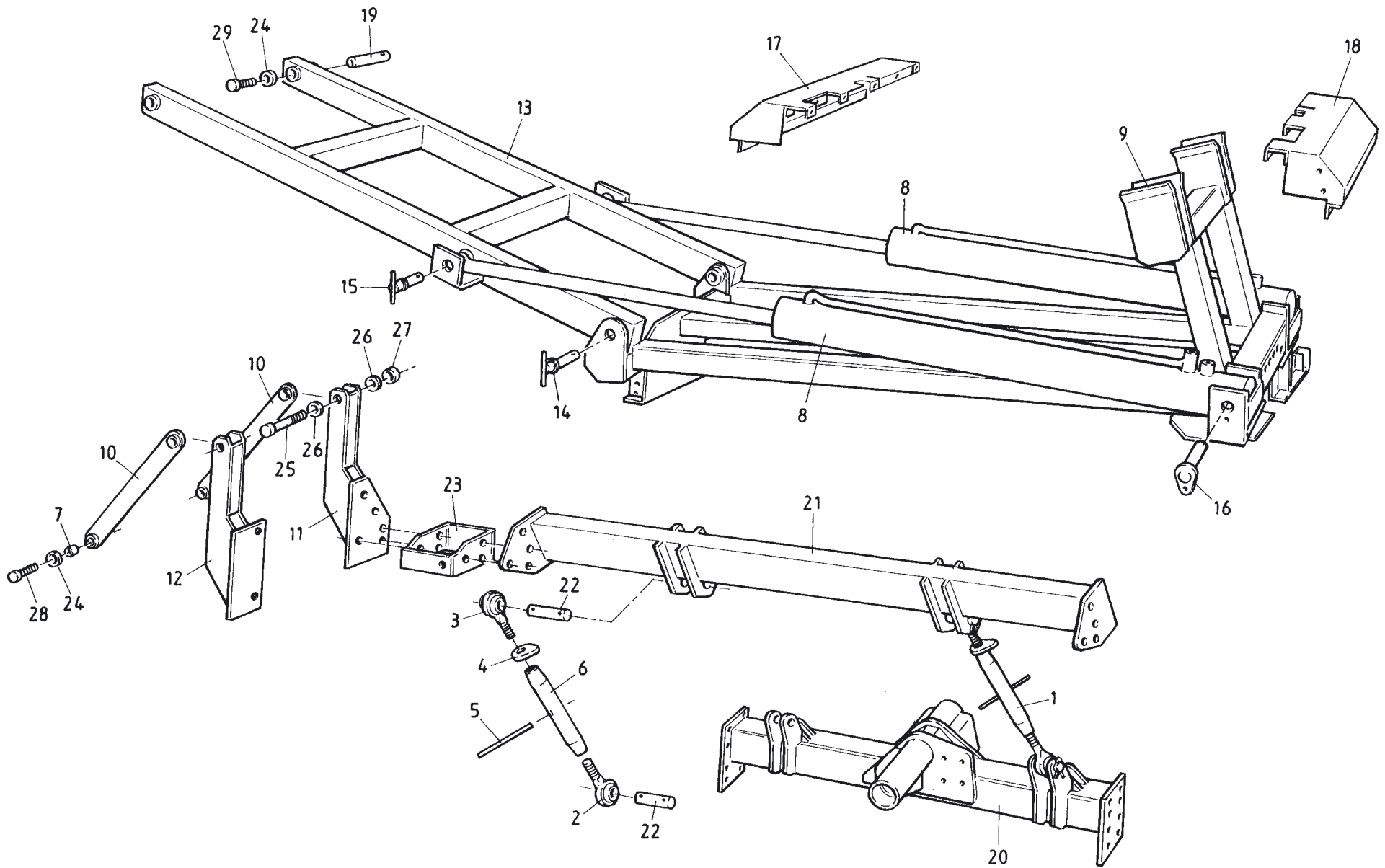
10.5



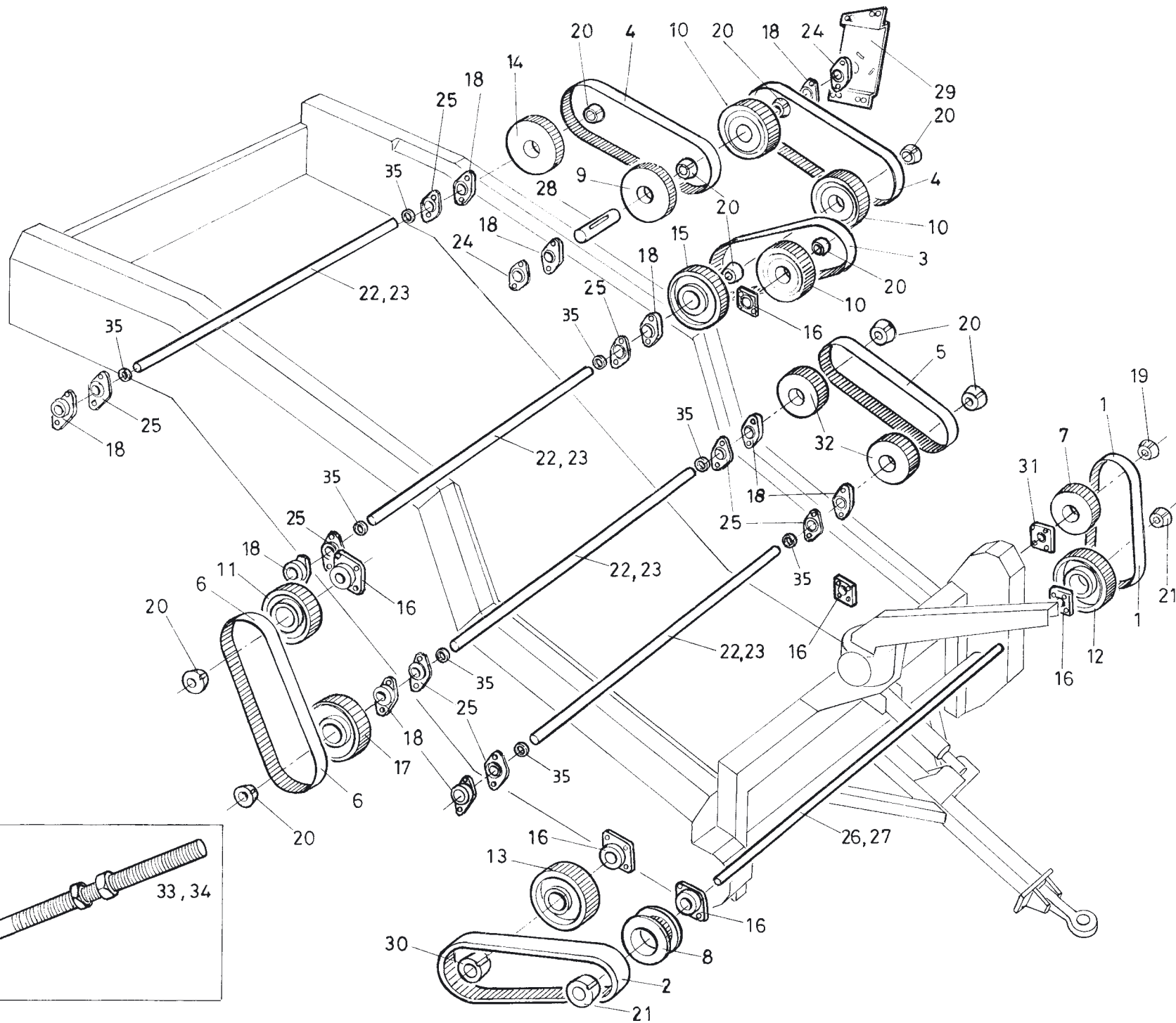
10.6



10.7



11.1

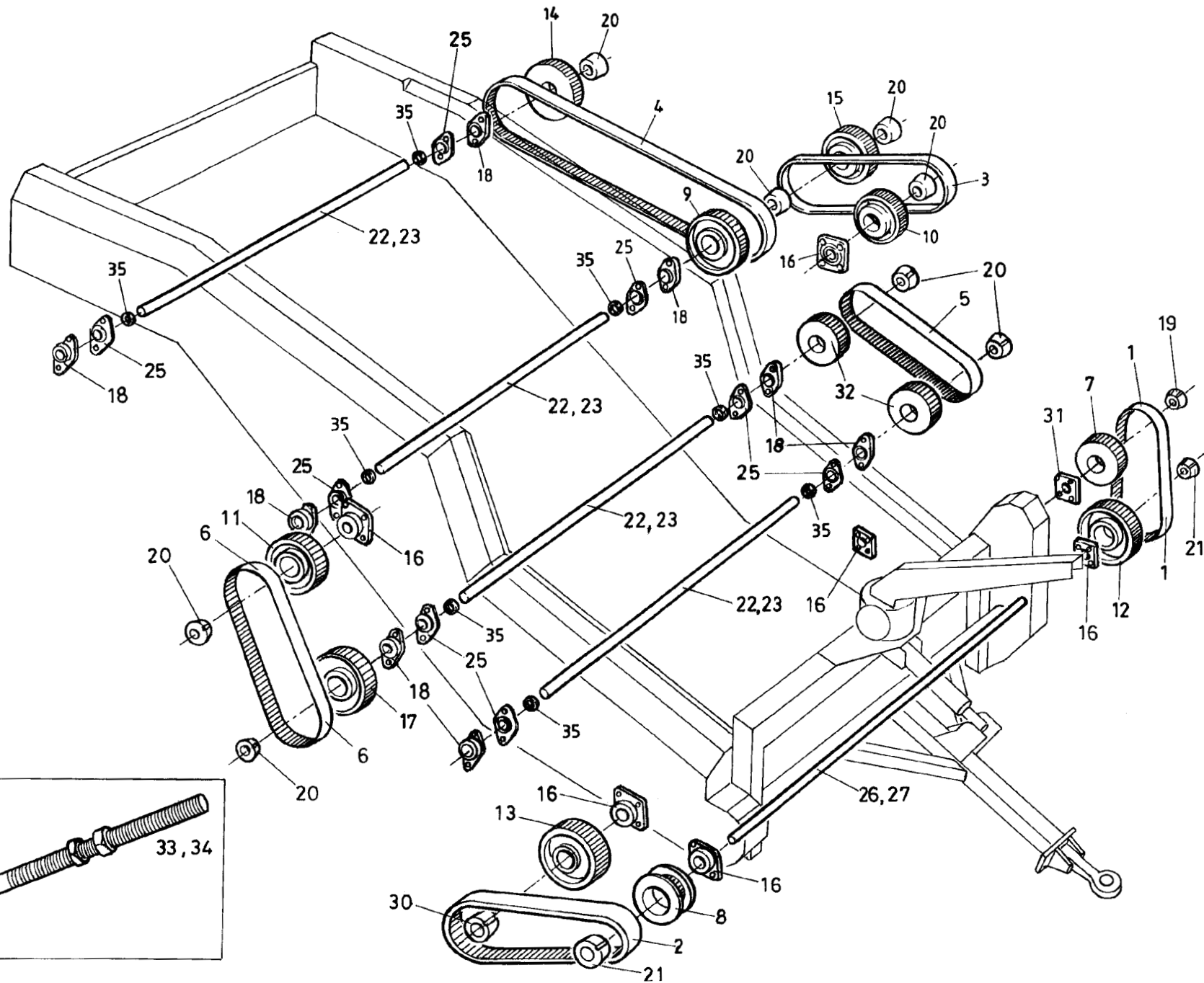


Assembly Group 11.1 - Pulleys & Drive Belts (Multiweb machines - Yr. 2004)

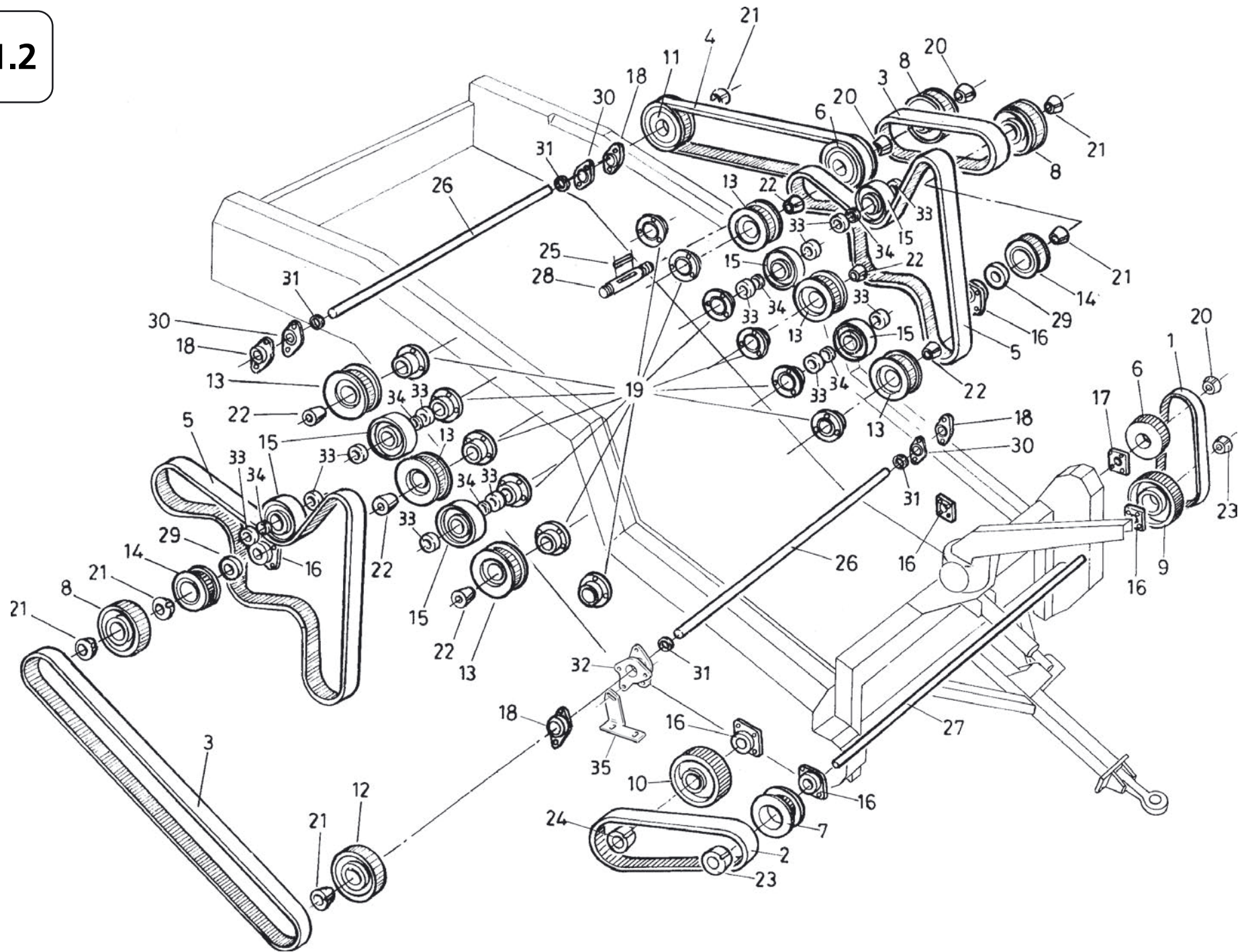
Item	Description	Part No.	Qty.
1	Polychain Belt: 45 x 1750mm	UN-00001	1
2	Polychain Belt: 75 x 1750mm	UN-00002	1
3	Polychain Belt: 45 x 2100mm	UN-00003	1
4	Polychain Belt: 45 x 2520mm	UN-00004	2
5	Polychain Belt: 45 x 2660mm	UN-00006	1
6	Polychain Belt: 45 x 2240mm	UN-00007	1
7	Polychain Pulley	UN-00012	1
8	Polychain Pulley	UN-00013	1
9	Polychain Pulley	UN-00014	1
10	Polychain Pulley	UN-00015	3
11	Polychain Pulley	UN-00016	1
12	Polychain Pulley	UN-00017	1
13	Polychain Pulley	UN-00018	1
14	Polychain Pulley	UN-00019	1
15	Polychain Pulley	UN-00021	1
16	4 Hole Bearing	UN-00234	6
17	Polychain Pulley	UN-00022	1
18	2 Hole Bearing	UN-00247	10
19	Taper Lock Bush - 2517 x 35	UN-00450	1
20	Taper Lock Bush - 2517 x 45	UN-00451	10
21	Taper Lock Bush - 3020 x 45 (Cast)	UN-00454	2
22	Drive Shaft (Narrow Machines)	UN-10053	4
23	Drive Shaft (Wide Machines)	UN-10054	4
24	Bearing Backplate	UN-10484	2
25	Bearing Backplate	UN-10485	8
26	Countershaft (Narrow Machines)	UN-10059	1
27	Countershaft (Wide Machines)	UN-10060	1
28	Stub Shaft	UN-10064	1
29	Bearing Mount Plate	UN-10750	1
30	Taper Lock Bush - 3020 x 45 (Steel)	UN-00455	1
31	4 Hole Bearing	UN-00235	1
32	Polychain Pulley	UN-00020	2
33	150mm Long Tensioner	UN-10246	2
34	245mm Long Tensioner	UN-10481	8

Item	Description	Part No.	Qty.
35	Shaft Seal	UN-00223	8

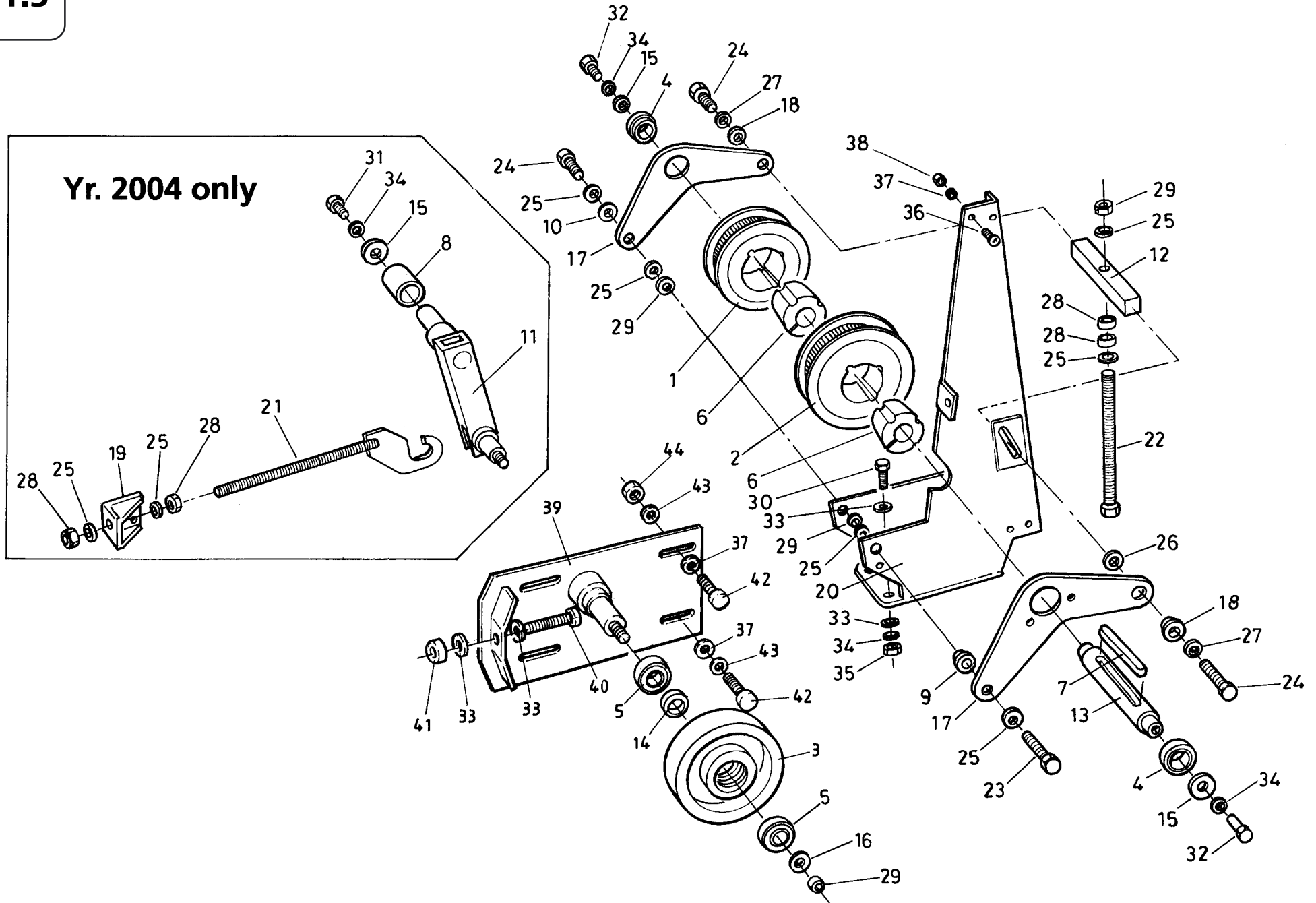
11.1A



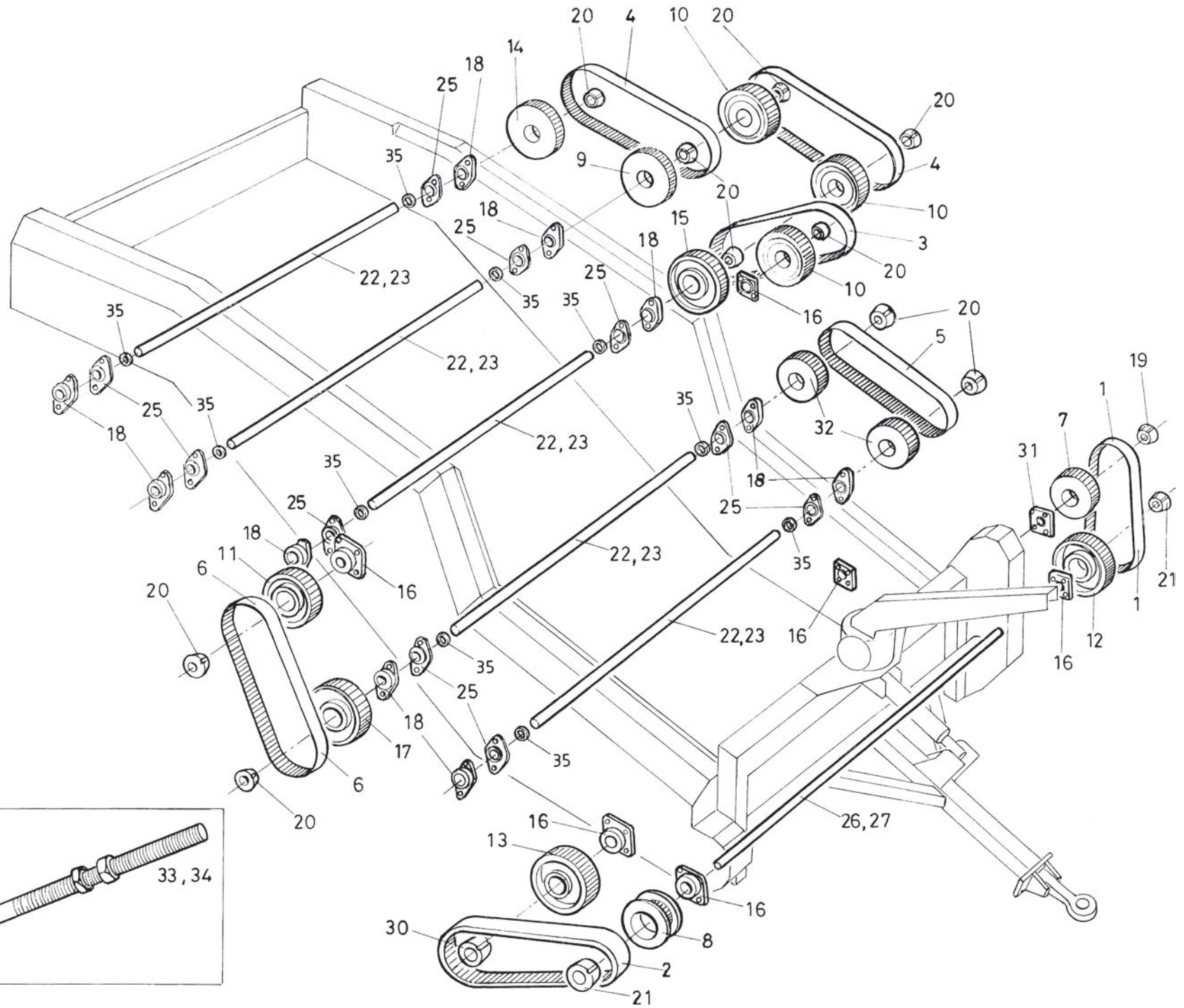
11.2



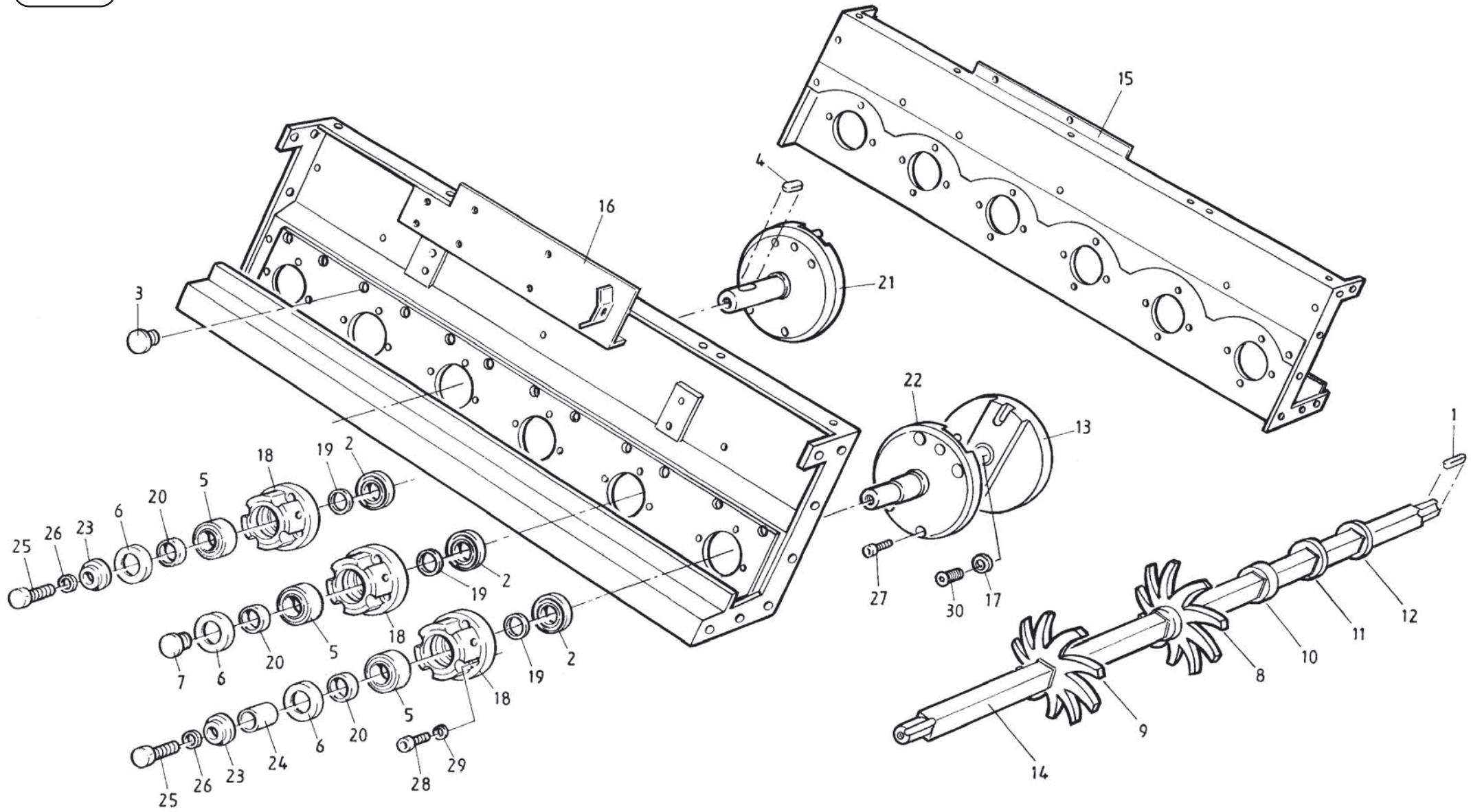
11.3



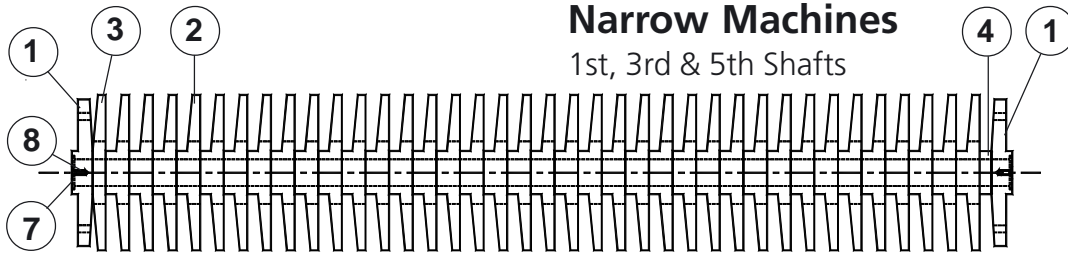
11.4



12.1



Assembly Group 12.2 - Drop Out Star Shafts (40mm Spacings)



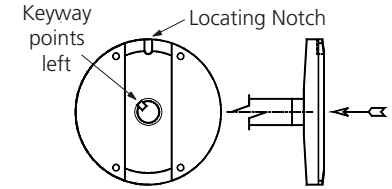
Narrow Machines

1st, 3rd & 5th Shafts

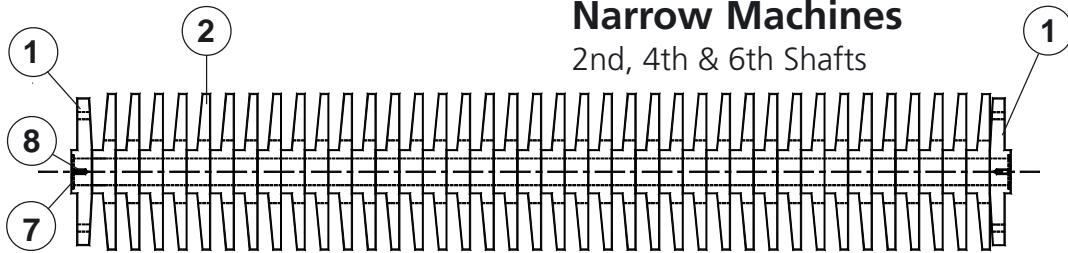
Item	Description	Part No.	Qty.
1	Bolt-on Flange LH	UN-10452	1
1	Bolt-on Flange RH	UN-10599	1
1	Welded Flange/Shaft LH	UN-12280	1
1	Welded Flange/Shaft RH	UN-12281	1
2	Full Star	UN-02995	37
3	Half Star	UN-02996	1
4	20mm Ring	UN-02997	1
5	5mm Ring	UN-02998	-
6	2.5mm Ring	UN-02999	-
7	Washer	UN-10474	2
8	Screw M8x25	UN-S1M8x25	2

Star Shafts are fitted with a bolt on flange to one end but are welded to the flange at the opposite end of the Shaft.

Use this diagram to determine whether to order a left or right hand replacement shaft



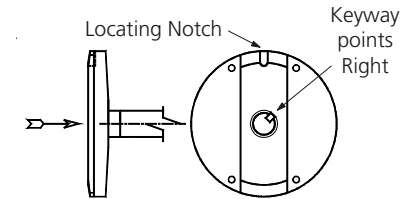
View on Welded end of shaft (Left Hand)



Narrow Machines

2nd, 4th & 6th Shafts

Item	Description	Part No.	Qty.
1	Bolt-on Flange LH	UN-10452	1
1	Bolt-on Flange RH	UN-10599	1
1	Welded Flange/Shaft LH	UN-12280	1
1	Welded Flange/Shaft RH	UN-12281	1
2	Full Star	UN-02995	38
3	Half Star	UN-02996	-
4	20mm Ring	UN-02997	-
5	5mm Ring	UN-02998	-
6	2.5mm Ring	UN-02999	-
7	Washer	UN-10474	2
8	Screw M8x25	UN-S1M8x25	2

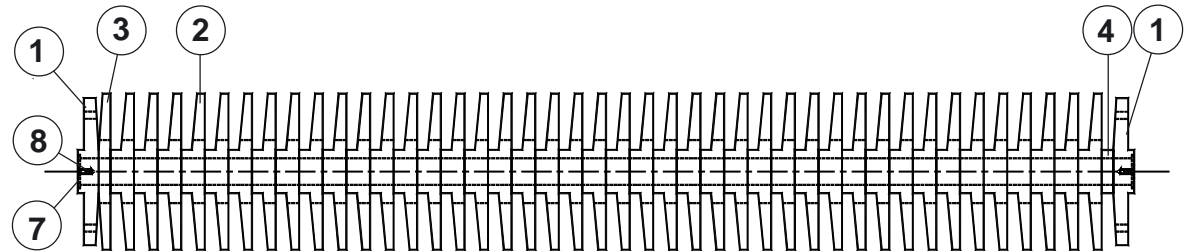


View on Welded end of shaft (Right Hand)

Item	Description	Part No.	Qty.
1	Bolt-on Flange LH	UN-10452	1
1	Bolt-on Flange RH	UN-10599	1
1	Welded Flange/Shaft LH	UN-12282	1
1	Welded Flange/Shaft RH	UN-12283	1
2	Full Star	UN-02995	42
3	Half Star	UN-02996	1
4	20mm Ring	UN-02997	1
5	5mm Ring	UN-02998	-
6	2.5mm Ring	UN-02999	-
7	Washer	UN-10474	2
8	Screw M8x25	UN-S1M8x25	2

Wide Machines

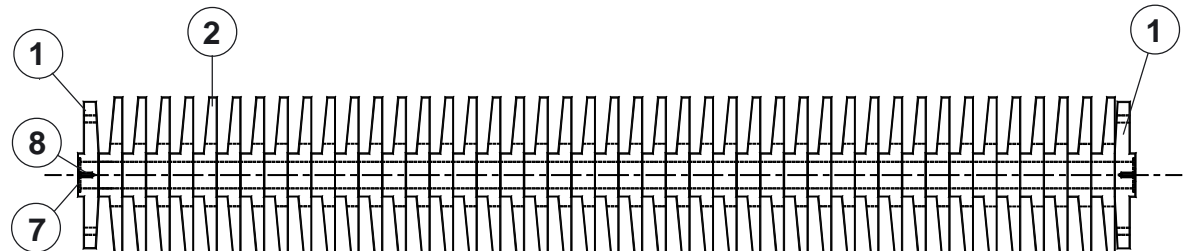
1st, 3rd & 5th Shafts



Item	Description	Part No.	Qty.
1	Bolt-on Flange LH	UN-10452	1
1	Bolt-on Flange RH	UN-10599	1
1	Welded Flange/Shaft LH	UN-12282	1
1	Welded Flange/Shaft RH	UN-12283	1
2	Full Star	UN-02995	43
3	Half Star	UN-02996	-
4	20mm Ring	UN-02997	-
5	5mm Ring	UN-02998	-
6	2.5mm Ring	UN-02999	-
7	Washer	UN-10474	2
8	Screw M8x25	UN-S1M8x25	2

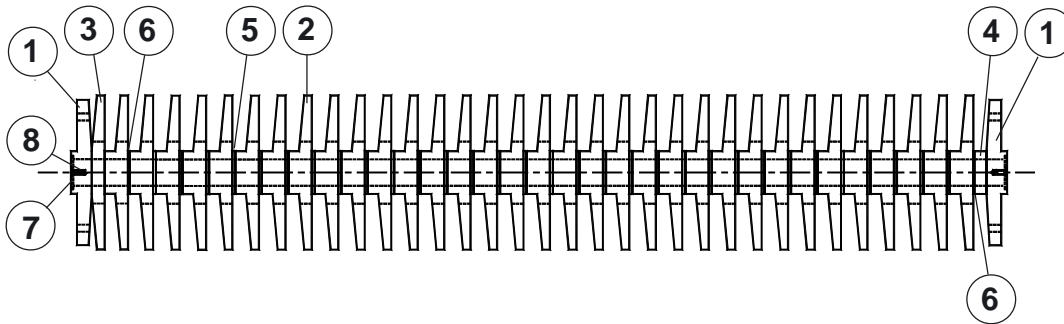
Wide Machines

2nd, 4th & 6th Shafts



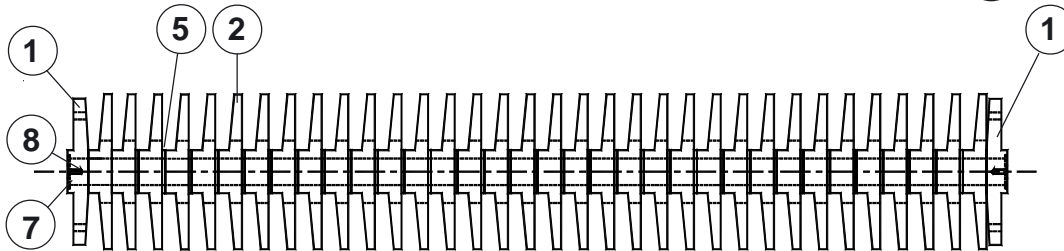
*Shafts are numbered from 1 (front) to 6 (rear)

Assembly Group 12.3 - Drop Out Star Shafts (45mm Spacings)



Narrow Machines
1st, 3rd & 5th Shafts

Item	Description	Part No.	Qty.
1	Bolt-on Flange LH	UN-10452	1
1	Bolt-on Flange RH	UN-10599	1
1	Welded Flange/Shaft LH	UN-12280	1
1	Welded Flange/Shaft RH	UN-12281	1
2	Full Star	UN-02995	33
3	Half Star	UN-02996	1
4	20mm Ring	UN-02997	1
5	5mm Ring	UN-02998	31
6	2.5mm Ring	UN-02999	2
7	Washer	UN-10474	2
8	Screw M8x25	UN-S1M8x25	2

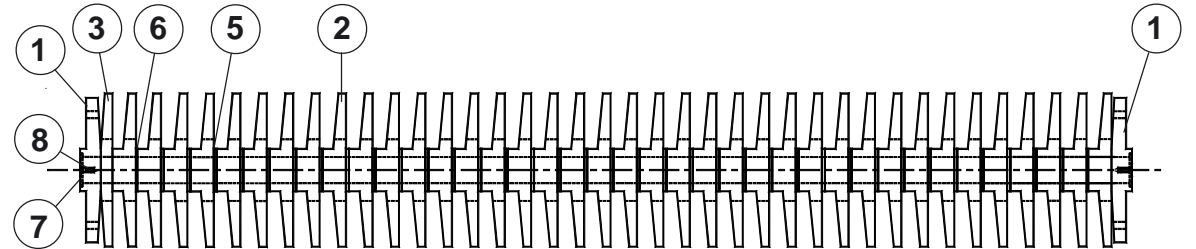


Narrow Machines
2nd, 4th & 6th Shafts

Item	Description	Part No.	Qty.
1	Bolt-on Flange LH	UN-10452	1
1	Bolt-on Flange RH	UN-10599	1
1	Welded Flange/Shaft LH	UN-12280	1
1	Welded Flange/Shaft RH	UN-12281	1
2	Full Star	UN-02995	34
3	Half Star	UN-02996	-
4	20mm Ring	UN-02997	-
5	5mm Ring	UN-02998	32
6	2.5mm Ring	UN-02999	-
7	Washer	UN-10474	2
8	Screw M8x25	UN-S1M8x25	2

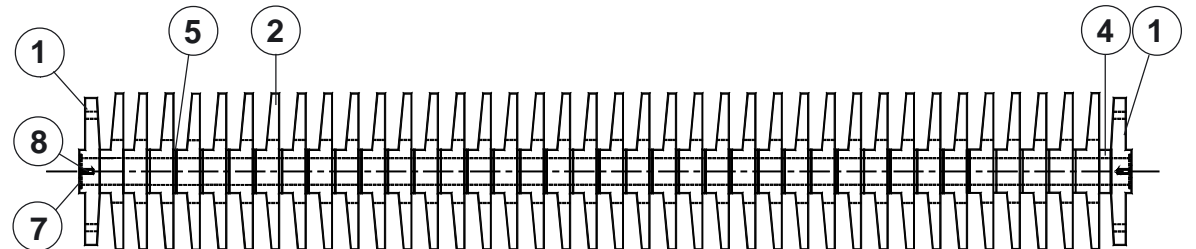
Item	Description	Part No.	Qty.
1	Bolt-on Flange LH	UN-10452	1
1	Bolt-on Flange RH	UN-10599	1
1	Welded Flange/Shaft LH	UN-12282	1
1	Welded Flange/Shaft RH	UN-12283	1
2	Full Star	UN-02995	38
3	Half Star	UN-02996	1
4	20mm Ring	UN-02997	-
5	5mm Ring	UN-02998	35
6	2.5mm Ring	UN-02999	2
7	Washer	UN-10474	2
8	Screw M8x25	UN-S1M8x25	2

Wide Machines
1st, 3rd & 5th Shafts



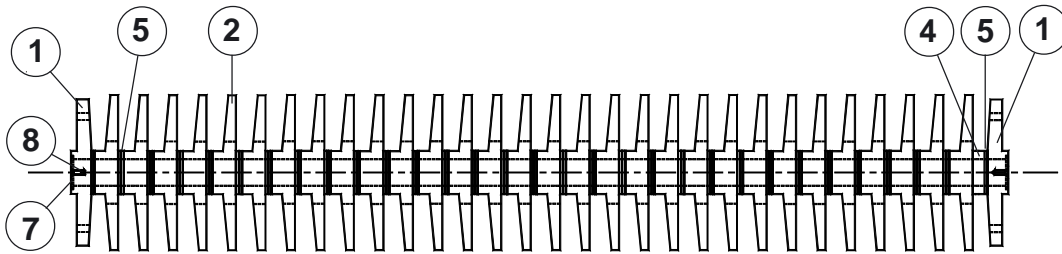
Item	Description	Part No.	Qty.
1	Bolt-on Flange LH	UN-10452	1
1	Bolt-on Flange RH	UN-10599	1
1	Welded Flange/Shaft LH	UN-12282	1
1	Welded Flange/Shaft RH	UN-12283	1
2	Full Star	UN-02995	38
3	Half Star	UN-02996	-
4	20mm Ring	UN-02997	1
5	5mm Ring	UN-02998	36
6	2.5mm Ring	UN-02999	-
7	Washer	UN-10474	2
8	Screw M8x25	UN-S1M8x25	2

Wide Machines
2nd, 4th & 6th Shafts



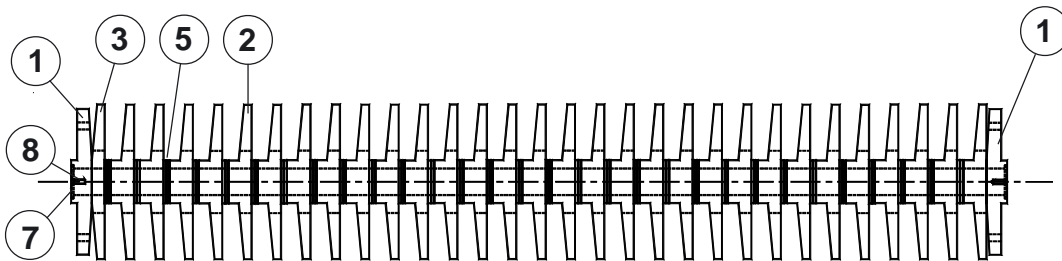
*Shafts are numbered from 1 (front) to 6 (rear)

Assembly Group 12.4 - Drop Out Star Shafts (50mm Spacings)



Narrow Machines
1st, 3rd & 5th Shafts

Item	Description	Part No.	Qty.
1	Bolt-on Flange LH	UN-10452	1
1	Bolt-on Flange RH	UN-10599	1
1	Welded Flange/Shaft LH	UN-12280	1
1	Welded Flange/Shaft RH	UN-12281	1
2	Full Star	UN-02995	30
3	Half Star	UN-02996	-
4	20mm Ring	UN-02997	1
5	5mm Ring	UN-02998	60
6	2.5mm Ring	UN-02999	-
7	Washer	UN-10474	2
8	Screw M8x25	UN-S1M8x25	2

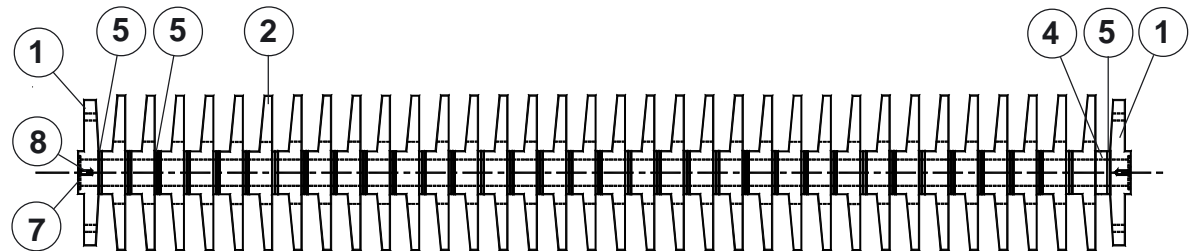


Narrow Machines
2nd, 4th & 6th Shafts

Item	Description	Part No.	Qty.
1	Bolt-on Flange LH	UN-10452	1
1	Bolt-on Flange RH	UN-10599	1
1	Welded Flange/Shaft LH	UN-12280	1
1	Welded Flange/Shaft RH	UN-12281	1
2	Full Star	UN-02995	30
3	Half Star	UN-02996	1
4	20mm Ring	UN-02997	-
5	5mm Ring	UN-02998	60
6	2.5mm Ring	UN-02999	-
7	Washer	UN-10474	2
8	Screw M8x25	UN-S1M8x25	2

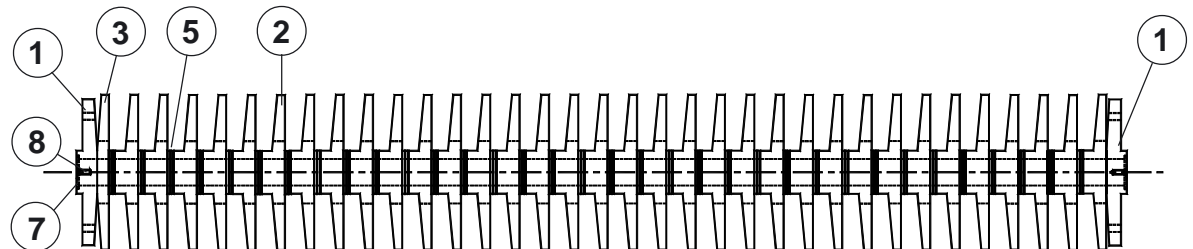
Item	Description	Part No.	Qty.
1	Bolt-on Flange LH	UN-10452	1
1	Bolt-on Flange RH	UN-10599	1
1	Welded Flange/Shaft LH	UN-12282	1
1	Welded Flange/Shaft RH	UN-12283	1
2	Full Star	UN-02995	34
3	Half Star	UN-02996	-
4	20mm Ring	UN-02997	1
5	5mm Ring	UN-02998	68
6	2.5mm Ring	UN-02999	-
7	Washer	UN-10474	2
8	Screw M8x25	UN-S1M8x25	2

Wide Machines
1st, 3rd & 5th Shafts



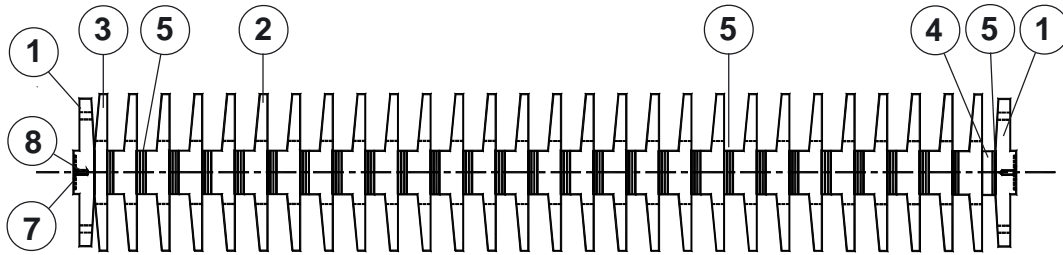
Item	Description	Part No.	Qty.
1	Bolt-on Flange LH	UN-10452	1
1	Bolt-on Flange RH	UN-10599	1
1	Welded Flange/Shaft LH	UN-12282	1
1	Welded Flange/Shaft RH	UN-12283	1
2	Full Star	UN-02995	34
3	Half Star	UN-02996	1
4	20mm Ring	UN-02997	-
5	5mm Ring	UN-02998	68
6	2.5mm Ring	UN-02999	-
7	Washer	UN-10474	2
8	Screw M8x25	UN-S1M8x25	2

Wide Machines
2nd, 4th & 6th Shafts



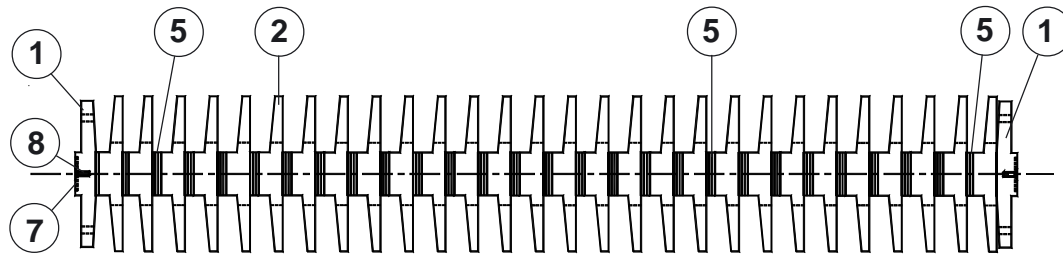
*Shafts are numbered from 1 (front) to 6 (rear)

Assembly Group 12.5 - Drop Out Star Shafts (55mm Spacings)



Narrow Machines
1st, 3rd & 5th Shafts

Item	Description	Part No.	Qty.
1	Bolt-on Flange LH	UN-10452	1
1	Bolt-on Flange RH	UN-10599	1
1	Welded Flange/Shaft LH	UN-12280	1
1	Welded Flange/Shaft RH	UN-12281	1
2	Full Star	UN-02995	27
3	Half Star	UN-02996	1
4	20mm Ring	UN-02997	1
5	5mm Ring	UN-02998	80
6	2.5mm Ring	UN-02999	-
7	Washer	UN-10474	2
8	Screw M8x25	UN-S1M8x25	2

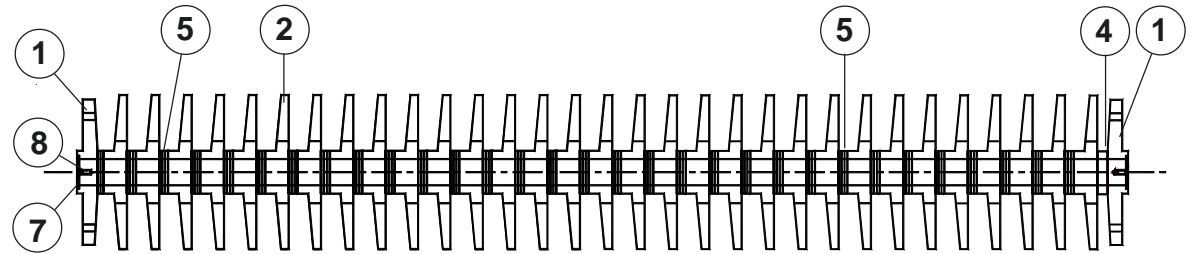


Narrow Machines
2nd, 4th & 6th Shafts

Item	Description	Part No.	Qty.
1	Bolt-on Flange LH	UN-10452	1
1	Bolt-on Flange RH	UN-10599	1
1	Welded Flange/Shaft LH	UN-12280	1
1	Welded Flange/Shaft RH	UN-12281	1
2	Full Star	UN-02995	28
3	Half Star	UN-02996	-
4	20mm Ring	UN-02997	-
5	5mm Ring	UN-02998	80
6	2.5mm Ring	UN-02999	-
7	Washer	UN-10474	2
8	Screw M8x25	UN-S1M8x25	2

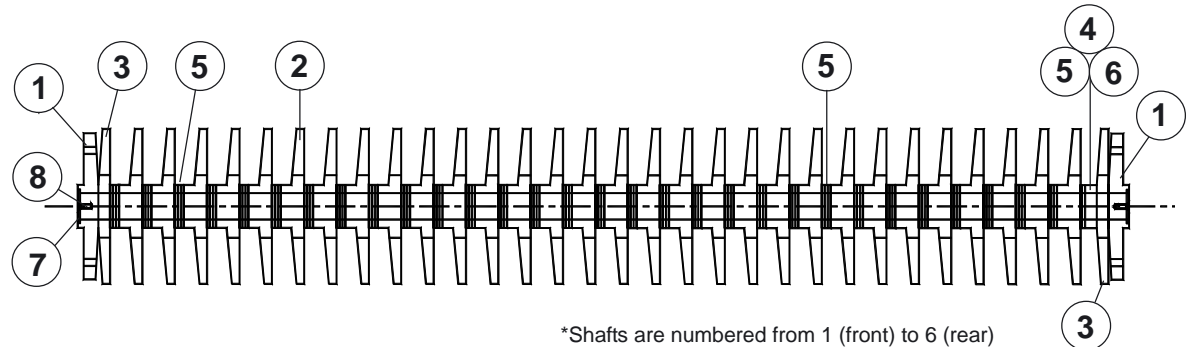
Item	Description	Part No.	Qty.
1	Bolt-on Flange LH	UN-10452	1
1	Bolt-on Flange RH	UN-10599	1
1	Welded Flange/Shaft LH	UN-12282	1
1	Welded Flange/Shaft RH	UN-12283	1
2	Full Star	UN-02995	31
3	Half Star	UN-02996	-
4	20mm Ring	UN-02997	1
5	5mm Ring	UN-02998	92
6	2.5mm Ring	UN-02999	-
7	Washer	UN-10474	2
8	Screw M8x25	UN-S1M8x25	2

Wide Machines
1st, 3rd & 5th Shafts



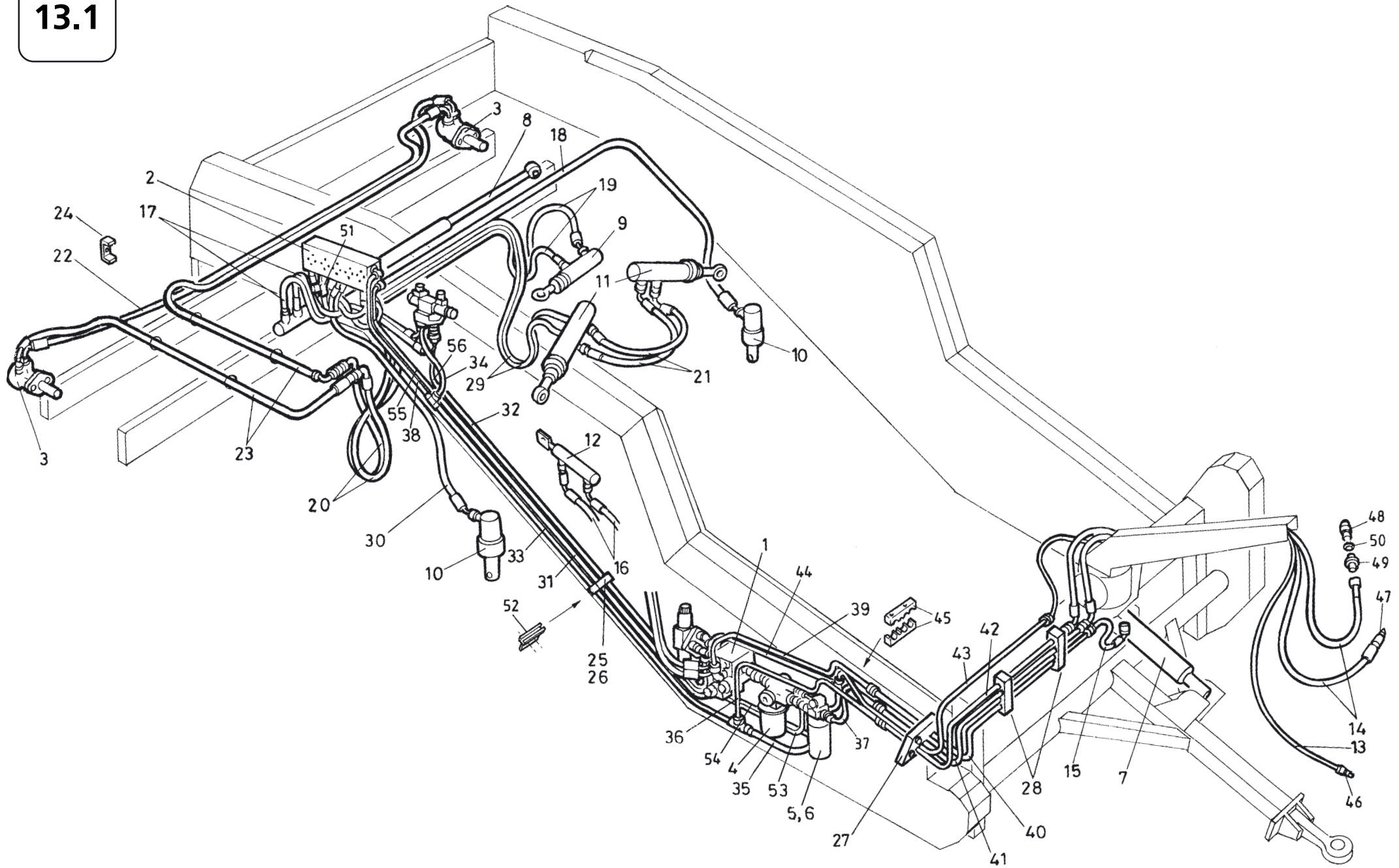
Item	Description	Part No.	Qty.
1	Bolt-on Flange LH	UN-10452	1
1	Bolt-on Flange RH	UN-10599	1
1	Welded Flange/Shaft LH	UN-12282	1
1	Welded Flange/Shaft RH	UN-12283	1
2	Full Star	UN-02995	30
3	Half Star	UN-02996	2
4	20mm Ring	UN-02997	1
5	5mm Ring	UN-02998	91
6	2.5mm Ring	UN-02999	1
7	Washer	UN-10474	2
8	Screw M8x25	UN-S1M8x25	2

Wide Machines
2nd, 4th & 6th Shafts



*Shafts are numbered from 1 (front) to 6 (rear)

13.1



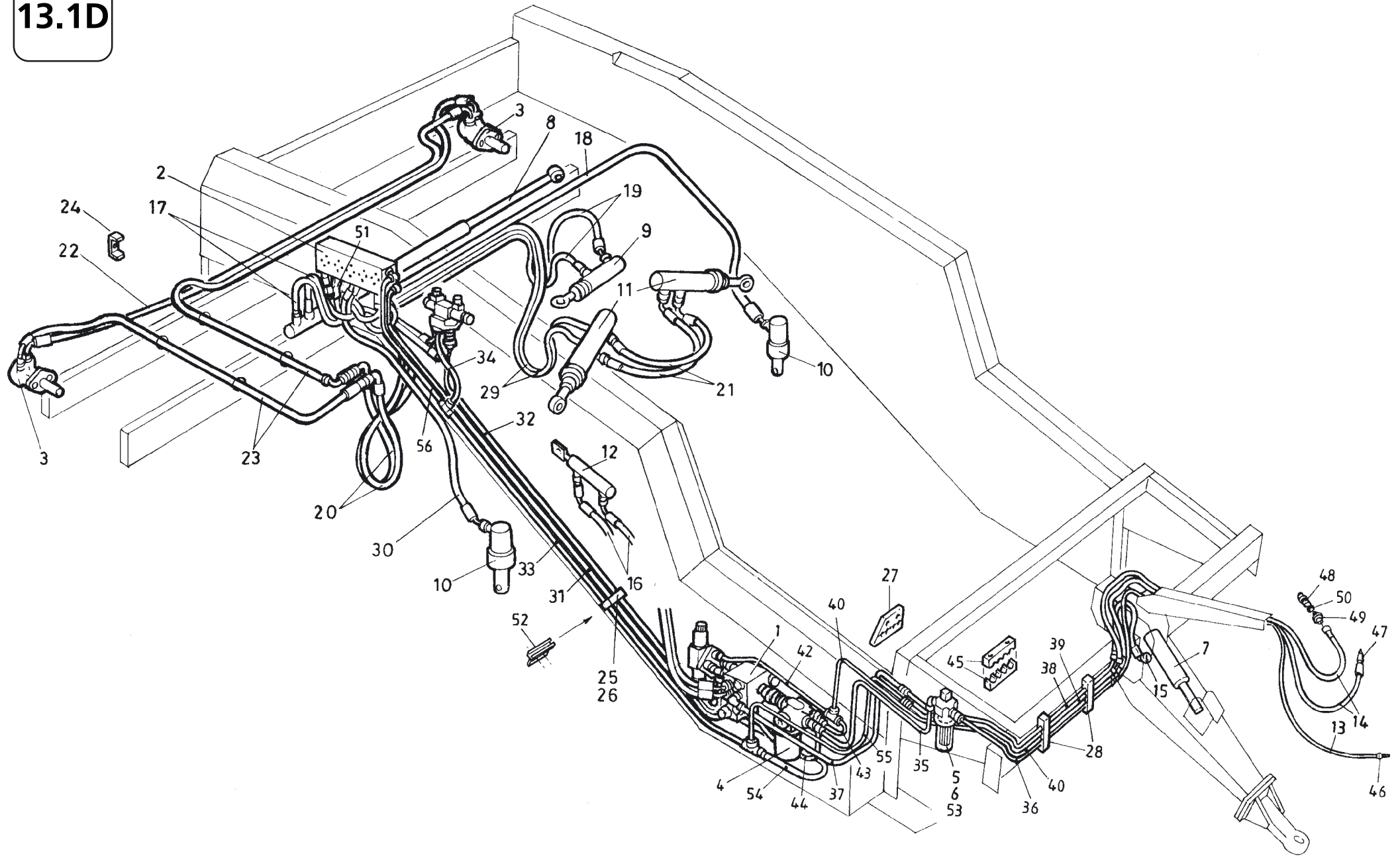
Assembly Group 13.1 - Hydraulic General Arrangement (Multiweb machines)

Item	Description	Part No.	Qty.
1	2 Station Manifold	UN-00095	1
2	5 Station Manifold	UN-00096	1
3	2 Hole Hydraulic Motor (Yr. 2004)	UN-00105	2
3	2 Hole Hydraulic Motor (2005 onwards)	UN-00886	2
4	Electric Webtec Valve	UN-00106	1
5	Filter Assembly	UN-00107	1
6	Filter (Spare Element only)	UN-00108	1
7	Front Lift Ram	UN-00109	1
7A	Front Lift Ram Seal Kit	UN-00110	
8	Cross Conveyor Ram	UN-00111	1
8A	Cross Conveyor Ram Seal Kit	UN-00112	
9	Steering Ram	UN-00113	1
9A	Steering Ram Seal Kit	UN-00114	
10	Rear Lift Ram (Yr. 2004)	UN-00115	2
10A	Rear Lift Ram Seal Kit (Yr. 2004)	UN-00116	
10	Rear Lift Ram (2005 onwards)	UN-00139	2
10A	Rear Lift Ram Seal Kit (2005 onwards)	UN-00140	
11	Levelling Ram (Up to 2005)	UN-00117	2
11A	Levelling Ram Seal Kit (Up to 2005)	UN-00114	
11	Levelling Ram (2006 onwards)	UN-11798	2
11A	Levelling Ram Seal Kit (2006 onwards)	UN-00114	
12	Pressure Pad Ram	UN-00121	1
12A	Pressure Pad Ram Seal Kit	UN-00122	
13	Load Sensing Hose	UN-00780	1
14	Feed and Return Hoses	UN-00781	2
15	Front Lift Hose (Narrow Machines)	UN-00782	1
15	Front Lift Hose (Wide Machines)	UN-00820	1
16	Pressure Pad Ram Hose	UN-00783	2
17	Cross Conveyor Ram Hose	UN-00784	2
18	Left Hand Rear Lift Hose (Narrow Machines)	UN-00786	1
18	Left Hand Rear Lift Hose (Wide Machines)	UN-00816	1
19	Steering Ram Hose (Narrow Machines)	UN-00787	2
19	Steering Ram Hose (Wide Machines)	UN-00817	2
20	Cross Conveyor Motor Hose (Narrow Machines)	UN-00789	2
20	Cross Conveyor Motor Hose (Wide Machines)	UN-00819	2
21	Levelling - Ram to Ram Hose (Up to 2005)	UN-00790	2
21	Levelling - Ram to Ram Hose (2006 Onwards)	UN-12190	2
22	Cross Conveyor - Motor to Motor Hose	UN-00799	1
23	Cross Conveyor - Motor to Bulkhead Hose	UN-00800	2
24	Cross Conveyor Hose Clamp	UN-10663	5
25	Single Pipe Clamp	UN-05091	3
26	Double Pipe Clamp	UN-05090	3

Item	Description	Part No.	Qty.
27	Front Pipe Clamp	UN-02984	1
28	5 Hole Pipe Clamp	UN-10297	2
29	Levelling Ram Hose (Narrow Machines - Up to 2005)	UN-00788	2
29	Levelling Ram Hose (Narrow Machines - 2006 onwards)	UN-00787	2
29	Levelling Ram Hose (Wide Machines)	UN-00818	2
30	Right Hand Rear Lift Hose	UN-00785	1
30	Right Hand Rear Lift Hose	UN-00785	1
31	Steel Pipe: Feed to Rear Manifold (Up to 2006)	UN-00801	1
31	Steel Pipe: Feed to Rear Manifold (2007 onwards)	UN-12310	1
32	Steel Pipe: Regulated Feed from Priority Valve to Directional Valve (Up to 2006)	UN-00802	1
32	Steel Pipe: Regulated Feed from Priority Valve to Directional Valve (2007 onwards)	UN-12310	1
33	Steel Pipe: Return from Rear Manifold (Long Section)	UN-00803	1
34	Hose: Return from Cross Conveyor Directional Valve (Up to 2006)	UN-01069	1
34	Hose: Return from Cross Conveyor Directional Valve (2007 onwards)	UN-12319	1
35	Steel Pipe: Return from Front Manifold (Up to 2006)	UN-00805	1
35	Hose: Return from Front Manifold (2007 onwards)	UN-12323	1
36	Steel Pipe: Return to Tractor from Tee	UN-00806	1
37	Steel Pipe: Feed from Tractor (Filter End)	UN-00807	1
38	Steel Pipe: Return from Rear Manifold to Tee (Up to 2006)	UN-00808	1
38	Hose: Return from Rear Manifold to Tee (2007 onwards)	UN-12315	1
39	Steel Pipe: Feed to Front Lift (Manifold End)	UN-00809	1
40	Steel Pipe: Feed to Front Lift (Ram End)	UN-00810	1
41	Steel Pipe: Feed from Tractor (Hose End)	UN-00811	1
42	Steel Pipe: Return to Tractor (Hose End)	UN-00812	1
43	Steel Pipe: Load Sensing (Tractor Hose End to Shuttle Valve)	UN-00813	1
44	Steel Pipe: Load Sensing (Shuttle Valve to Dump Valve)	UN-00814	1
45	Pipe Clamp	UN-02982	1
46	3/8" BSP Quick Release Coupling	UN-05076	1
47	1/2" BSP Quick Release Coupling	UN-05075	1
48	3/4" BSP Quick Release Coupling (2005 onwards)	UN-05074	1
49	3/8" x 1/4" BSP MM Adapter	UN-05003	1
49	1/2" x 1/2" BSP MM Adapter	UN-05002	1
49	3/4" x 1/2" BSP MM Adapter	UN-05046	1
50	3/8" BSP Dowty Washer	UN-05101	1
50	1/2" BSP Dowty Washer	UN-05102	1
50	3/4" BSP Dowty Washer	UN-05103	1
51	Variable Restrictor (2005 onwards)	UN-05198	1
52	Pipe Clamp Mount	UN-10437	2
53	Hose: Feed to Rear Manifold (2007 onwards)	UN-12317	1
54	Hose: Regulated Feed from Priority Valve to Directional Valve (2007 onwards)	UN-12318	1
55	Hose: Feed to Rear Manifold (2007 onwards)	UN-12320	1
56	Hose: Regulated Feed from Priority Valve to Directional Valve (2007 onwards)	UN-12316	1

A/R = As Required NI = Not Illustrated N/A = Not Applicable

13.1D

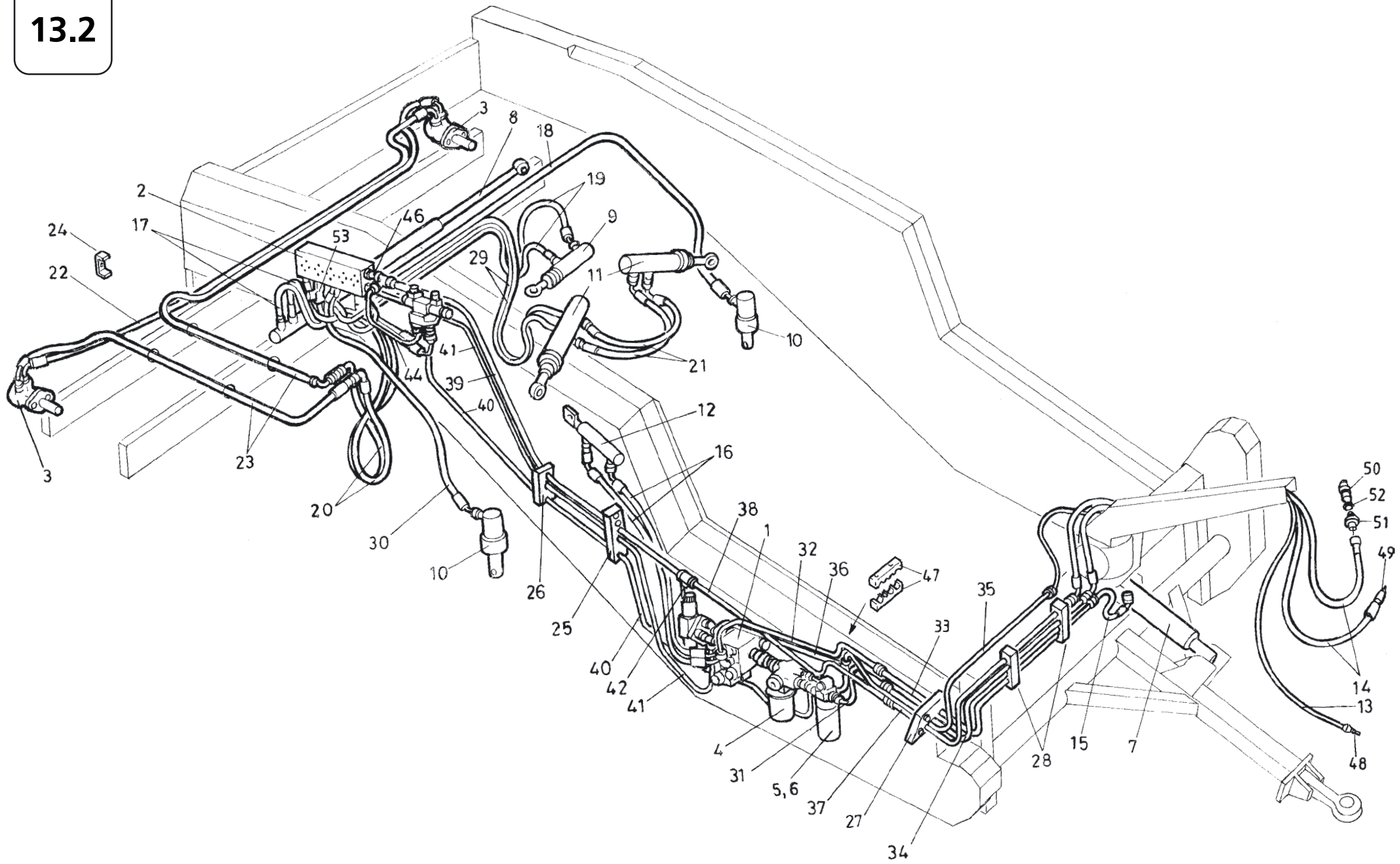


Assembly Group 13.1D - Hydraulic General Arrangement (Multiweb machines with Diablo - up to 2008)

Item	Description	Part No.	Qty.
1	2 Station Manifold	UN-00095	1
2	5 Station Manifold	UN-00096	1
3	2 Hole Hydraulic Motor	UN-00886	2
4	Electric Webtec Valve	UN-00106	1
5	Filter Assembly (complete)	UN-00107	1
6	Filter (Spare Element only)	UN-00108	1
7	Front Lift Ram	UN-00109	1
7A	Front Lift Ram Seal Kit	UN-00110	
8	Cross Conveyor Ram	UN-00111	1
8A	Cross Conveyor Ram Seal Kit	UN-00112	
9	Steering Ram	UN-00113	1
9A	Steering Ram Seal Kit	UN-00114	
10	Rear Lift Ram	UN-00139	2
10A	Rear Lift Ram Seal Kit	UN-00140	
11	Levelling Ram	UN-11798	2
11A	Levelling Ram Seal Kit	UN-00114	
12	Pressure Pad Ram	UN-00121	1
12A	Pressure Pad Ram Seal Kit	UN-00122	
13	Load Sensing Hose	UN-00780	1
14	Feed and Return Hoses	UN-00781	2
15	Front Lift Hose	UN-00782	1
15	Front Lift Hose - Hydraulic Drawbar - Narrow Machines	UN-01598	1
15	Front Lift Hose - Hydraulic Drawbar - Wide Machines		1
16	Pressure Pad Ram Hose	UN-00791	2
17	Cross Conveyor Ram Hose	UN-00784	2
18	Left Hand Rear Lift Hose	UN-00786	1
19	Steering Ram Hose	UN-00787	2
20	Cross Conveyor Motor Hose	UN-00789	2
21	Levelling - Ram to Ram Hose	UN-00790	2
22	Cross Conveyor - Motor to Motor Hose	UN-00799	1
23	Cross Conveyor - Motor to Bulkhead Hose	UN-00800	2
24	Cross Conveyor Hose Clamp	UN-10663	5
25	Single Pipe Clamp	UN-05091	3
26	Double Pipe Clamp	UN-05090	3

Item	Description	Part No.	Qty.
27	Front Pipe Clamp	UN-02984	1
28	5 Hole Pipe Clamp	UN-10297	2
29	Levelling Ram Hose	UN-00788	2
30	Right Hand Rear Lift Hose	UN-00785	1
31	Steel Pipe: Feed to Rear Manifold	UN-00801	1
32	Steel Pipe: Regulated Feed from Priority Valve to Directional Valve	UN-00802	1
33	Steel Pipe: Return from Rear Manifold (Long Section)	UN-00803	1
34	Hose: Return from Cross Conveyor Directional Valve	UN-01069	1
35	Steel Pipe: Feed from Tractor (Filter to Webtec Valve)	UN-01583	1
36	Steel Pipe: Feed from Tractor (to Filter)	UN-01580	1
37	Steel Pipe: Feed to Front Lift (Manifold End)	UN-01585	1
38	Steel Pipe: Feed to Front Lift (Ram End)	UN-01581	1
39	Steel Pipe: Return to Tractor (Hose End)	UN-01582	1
40	Steel Pipe: Load Sensing Feed	UN-01579	1
42	Steel Pipe: Load Sensing (Shuttle Valve to Dump Valve)	UN-00814	1
43	Steel Pipe: Load Sensing (Shuttle Valve to Cross Conveyor Feed)	UN-00815	1
44	Steel Pipe: Regulated Feed from Priority Valve to Directional Valve	UN-00802	1
45	Pipe Clamp	UN-02982	1
46	3/8" BSP Quick Release Coupling	UN-05076	1
47	1/2" BSP Quick Release Coupling	UN-05075	1
48	3/4" BSP Quick Release Coupling	UN-05074	1
49	3/8" x 1/4" BSP MM Adapter	UN-05003	1
49	1/2" x 1/2" BSP MM Adapter	UN-05002	1
49	3/4" x 1/2" BSP MM Adapter	UN-05046	1
50	3/8" BSP Dowty Washer	UN-05101	1
50	1/2" BSP Dowty Washer	UN-05102	1
50	3/4" BSP Dowty Washer	UN-05103	1
51	Variable Restrictor (2005 onwards)	UN-05198	1
52	Pipe Clamp Mount	UN-10437	2
53	'O' Ring (spare)	UN-00697	
54	Steel Pipe: Return from Front Manifold	UN-00805	1
55	Steel Pipe: Return to Tractor from Tee	UN-01587	1
56	Steel Pipe: Return from Rear Manifold to Tee	UN-00808	1

13.2



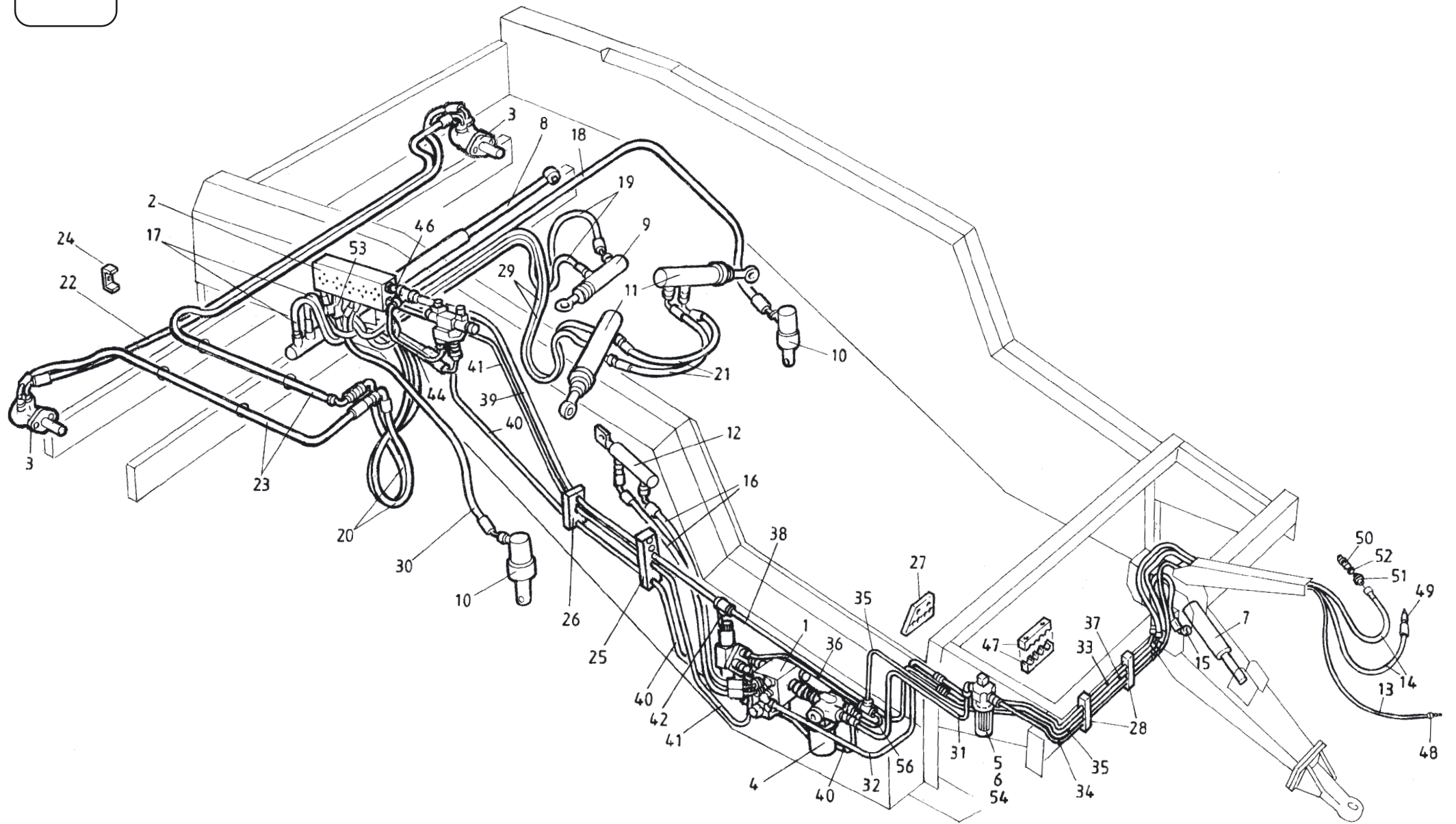
Assembly Group 13.2 - Hydraulic General Arrangement (Star machines)

Item	Description	Part No.	Qty.
1	2 Station Manifold	UN-00095	1
2	5 Station Manifold	UN-00096	1
3	2 Hole Hydraulic Motor (Yr. 2004)	UN-00105	2
3	2 Hole Hydraulic Motor (2005 onwards)	UN-00886	2
4	Electric Webtec Vavle	UN-00106	1
5	Filter Assembly	UN-00107	1
6	Filter (Spare Element only)	UN-00108	1
7	Front Lift Ram	UN-00109	1
7A	Front Lift Ram Seal Kit	UN-00110	
8	Cross Conveyor Ram	UN-00111	1
8A	Cross Conveyor Ram Seal Kit	UN-00112	
9	Steering Ram	UN-00113	1
9A	Steering Ram Seal Kit	UN-00114	
10	Rear Lift Ram (Yr. 2004)	UN-00115	2
10A	Rear Lift Ram Seal Kit (Yr. 2004)	UN-00116	
10	Rear Lift Ram (2005 onwards)	UN-00139	2
10A	Rear Lift Ram Seal Kit (2005 onwards)	UN-00140	
11	Levelling Ram (Up to 2005)	UN-00117	2
11A	Levelling Ram Seal Kit (Up to 2005)	UN-00114	
11	Levelling Ram (2006 onwards)	UN-11798	2
11A	Levelling Ram Seal Kit (2006 onwards)	UN-00114	
12	Pressure Pad Ram	UN-00121	1
12A	Pressure Pad Ram Seal Kit	UN-00122	
13	Load Sensing Hose	UN-00780	1
14	Feed and Return Hoses	UN-00781	2
15	Front Lift Hose (Narrow Machines)	UN-00782	1
15	Front Lift Hose (Wide Machines)	UN-00820	1
16	Pressure Pad Ram Hose	UN-00791	2
17	Cross Conveyor Ram Hose	UN-00784	2
18	Left Hand Rear Lift Hose (Narrow Machines)	UN-00786	1
18	Left Hand Rear Lift Hose (Wide Machines)	UN-00816	1
19	Steering Ram Hose (Narrow Machines)	UN-00787	2
19	Steering Ram Hose (Wide Machines)	UN-00817	2
20	Cross Conveyor Motor Hose (Narrow Machines)	UN-00789	2
20	Cross Conveyor Motor Hose (Wide Machines)	UN-00819	2
21	Levelling - Ram to Ram Hose	UN-00790	2

Item	Description	Part No.	Qty.
22	Cross Conveyor - Motor to Motor Hose	UN-00799	1
23	Cross Conveyor - Motor to Bulkhead Hose	UN-00800	2
24	Cross Conveyor Hose Clamp	UN-10663	5
25	5 Hole Pipe Clamp	UN-10798	1
26	3 Hole Pipe Clamp	UN-10797	1
27	Front Pipe Clamp	UN-02984	1
28	5 Hole Pipe Clamp	UN-10297	2
29	Levelling Ram Hose (Narrow Machines)	UN-00788	2
29	Levelling Ram Hose (Wide Machines)	UN-00818	2
30	Right Hand Rear Lift Hose	UN-00785	1
31	Steel Pipe: Feed from Tractor (Filter End)	UN-00807	1
32	Steel Pipe: Feed to Front Lift (Manifold End)	UN-00809	1
33	Steel Pipe: Feed to Front Lift (Ram End)	UN-00810	1
34	Steel Pipe: Feed from Tractor (Hose End)	UN-00811	1
35	Steel Pipe: Load Sensing (Tractor Hose End to Shuttle Valve)	UN-00813	1
36	Steel Pipe: Load Sensing (Shuttle Valve to Dump Valve)	UN-00814	1
37	Steel Pipe: Return to Tractor (Hose End)	UN-00862	1
38	Steel Pipe: Return to Tractor (from Tee)	UN-00863	1
39	Steel Pipe: Return to Rear Manifold Tee	UN-00864	1
40	Steel Pipe: Cross Conveyor Feed (Priority Valve End)	UN-00865	1
41	Steel Pipe: Rear Manifold Feed (Front Manifold End)	UN-00866	1
42	Steel Pipe: Return from Front Manifold to Tee	UN-00825	1
44	Steel Pipe: Return from Directional Valve	UN-00827	1
46	Steel Pipe: Return (Rear Manifold to Tee)	UN-00829	1
47	Pipe Clamp	UN-02982	1
48	3/8" BSP Quick Release Coupling	UN-05076	1
49	1/2" BSP Quick Release Coupling	UN-05075	1
50	3/4" BSP Quick Release Coupling (2005 onwards)	UN-05074	1
51	3/8" x 1/4" BSP MM Adapter	UN-05003	1
51	1/2" x 1/2" BSP MM Adapter	UN-05002	1
51	3/4" x 1/2" BSP MM Adapter	UN-05046	1
52	3/8" BSP Dowty Washer	UN-05101	1
52	1/2" BSP Dowty Washer	UN-05102	1
52	3/4" BSP Dowty Washer	UN-05103	1
53	Variable Restrictor (2005 onwards)	UN-05198	1

A/R = As Required NI = Not Illustrated N/A = Not Applicable

13.2D

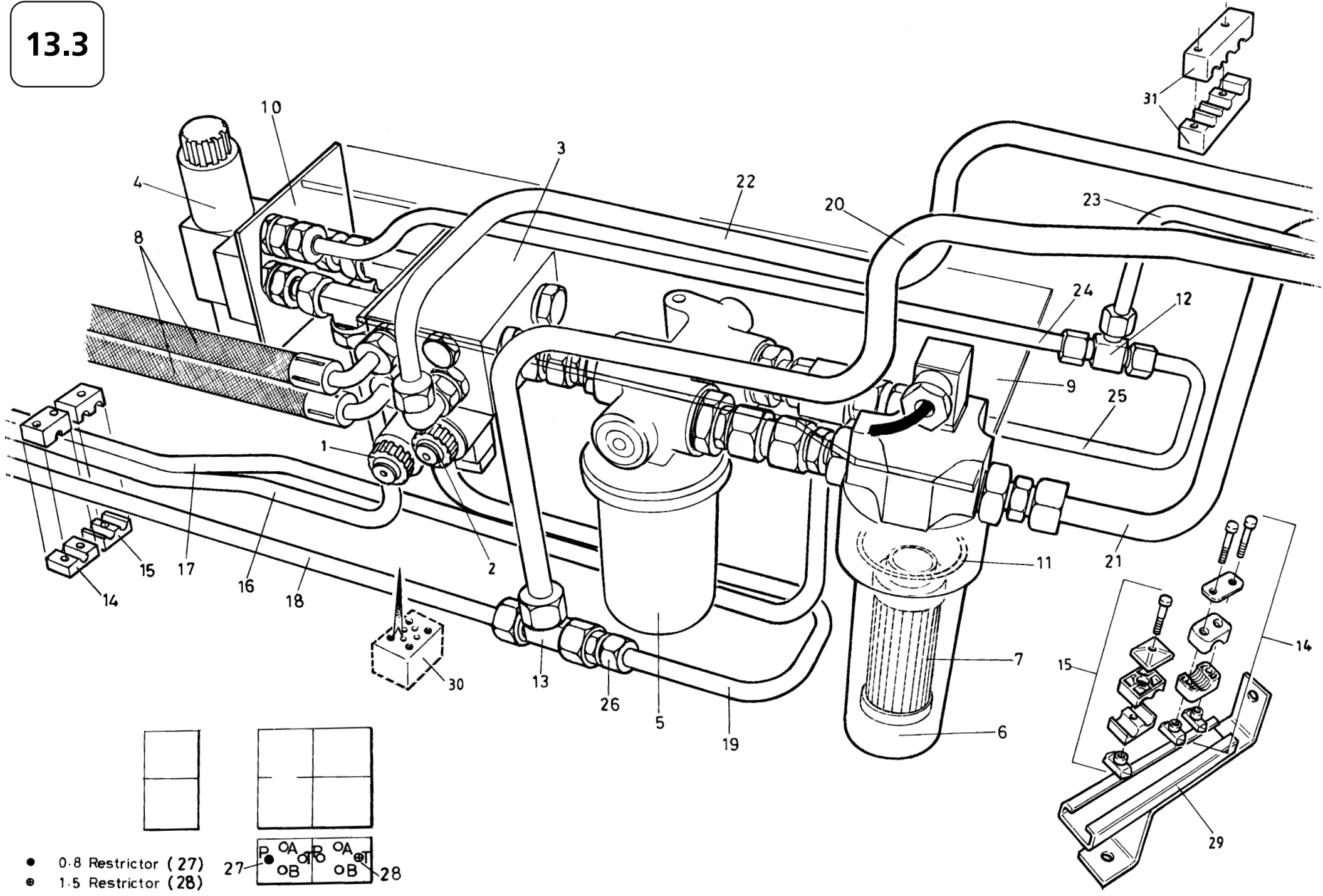


Assembly Group 13.2D - Hydraulic General Arrangement (Star machines with Diablo - up to 2008)

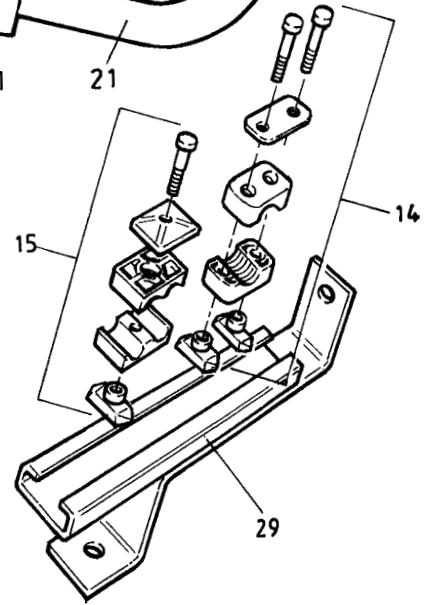
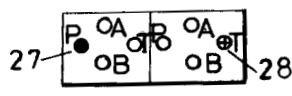
Item	Description	Part No.	Qty.
1	2 Station Manifold	UN-00095	1
2	5 Station Manifold	UN-00096	1
3	2 Hole Hydraulic Motor	UN-00886	2
4	Electric Webtec Vavle	UN-00106	1
5	Filter Assembly (complete)	UN-00107	1
6	Filter (Spare Element only)	UN-00108	1
7	Front Lift Ram	UN-00109	1
7A	Front Lift Ram Seal Kit	UN-00110	
8	Cross Conveyor Ram	UN-00111	1
8A	Cross Conveyor Ram Seal Kit	UN-00112	
9	Steering Ram	UN-00113	1
9A	Steering Ram Seal Kit	UN-00114	
10	Rear Lift Ram	UN-00139	2
10A	Rear Lift Ram Seal Kit	UN-00140	
11	Levelling Ram	UN-11798	2
11A	Levelling Ram Seal Kit	UN-00114	
12	Pressure Pad Ram	UN-00121	1
12A	Pressure Pad Ram Seal Kit	UN-00122	
13	Load Sensing Hose	UN-00780	1
14	Feed and Return Hoses	UN-00781	2
15	Front Lift Hose	UN-00782	1
15	Front Lift Hose - Hydraulic Drawbar - Narrow Machines	UN-01598	1
15	Front Lift Hose - Hydraulic Drawbar - Wide Machines		1
16	Pressure Pad Ram Hose	UN-00783	2
17	Cross Conveyor Ram Hose	UN-00784	2
18	Left Hand Rear Lift Hose	UN-00786	1
19	Steering Ram Hose	UN-00787	2
20	Cross Conveyor Motor Hose	UN-00789	2
21	Levelling - Ram to Ram Hose	UN-00790	2
22	Cross Conveyor - Motor to Motor Hose	UN-00799	1
23	Cross Conveyor - Motor to Bulkhead Hose	UN-00800	2
24	Cross Conveyor Hose Clamp	UN-10663	5
25	5 Hole Pipe Clamp	UN-10798	1
26	3 Hole Pipe Clamp	UN-10797	1

Item	Description	Part No.	Qty.
27	Front Pipe Clamp	UN-02984	1
28	5 Hole Pipe Clamp	UN-10297	2
29	Levelling Ram Hose	UN-00788	2
30	Right Hand Rear Lift Hose	UN-00785	1
31	Steel Pipe: Feed from Tractor (Filter to Webtec Valve)	UN-01583	1
32	Steel Pipe: Feed to Front Lift (Manifold End)	UN-01585	1
33	Steel Pipe: Feed to Front Lift (Ram End)	UN-01581	1
34	Steel Pipe: Feed from Tractor to Filter	UN-01580	1
35	Steel Pipe: Load Sensing Feed	UN-01579	1
36	Steel Pipe: Load Sensing (Shuttle Valve to Dump Valve)	UN-00814	1
37	Steel Pipe: Return to Tractor (Hose End)	UN-01582	1
38	Steel Pipe: Return to Tractor (from Tee)	UN-01584	1
39	Steel Pipe: Return to Rear Manifold Tee	UN-00864	1
40	Steel Pipe: Cross Conveyor Feed (Priority Valve End)	UN-00865	1
41	Steel Pipe: Rear Manifold Feed (Front Manifold End)	UN-00866	1
42	Steel Pipe: Return from Front Manifold to Tee	UN-00825	1
44	Steel Pipe: Return from Directional Valve	UN-00827	1
46	Steel Pipe: Return (Rear Manifold to Tee)	UN-00829	1
47	Pipe Clamp	UN-02982	1
48	3/8" BSP Quick Release Coupling	UN-05076	1
49	1/2" BSP Quick Release Coupling	UN-05075	1
50	3/4" BSP Quick Release Coupling	UN-05074	1
51	3/8" x 1/4" BSP MM Adapter	UN-05003	1
51	1/2" x 1/2" BSP MM Adapter	UN-05002	1
51	3/4" x 1/2" BSP MM Adapter	UN-05046	1
52	3/8" BSP Dowty Washer	UN-05101	1
52	1/2" BSP Dowty Washer	UN-05102	1
52	3/4" BSP Dowty Washer	UN-05103	1
53	Variable Restrictor	UN-05198	1
54	'O' Ring (spare)	UN-00697	1
56	Steel Pipe: Load Sensing (Shuttle Valve to Cross Conveyor Feed)	UN-00815	1

13.3



- 0.8 Restrictor (27)
- 1.5 Restrictor (28)



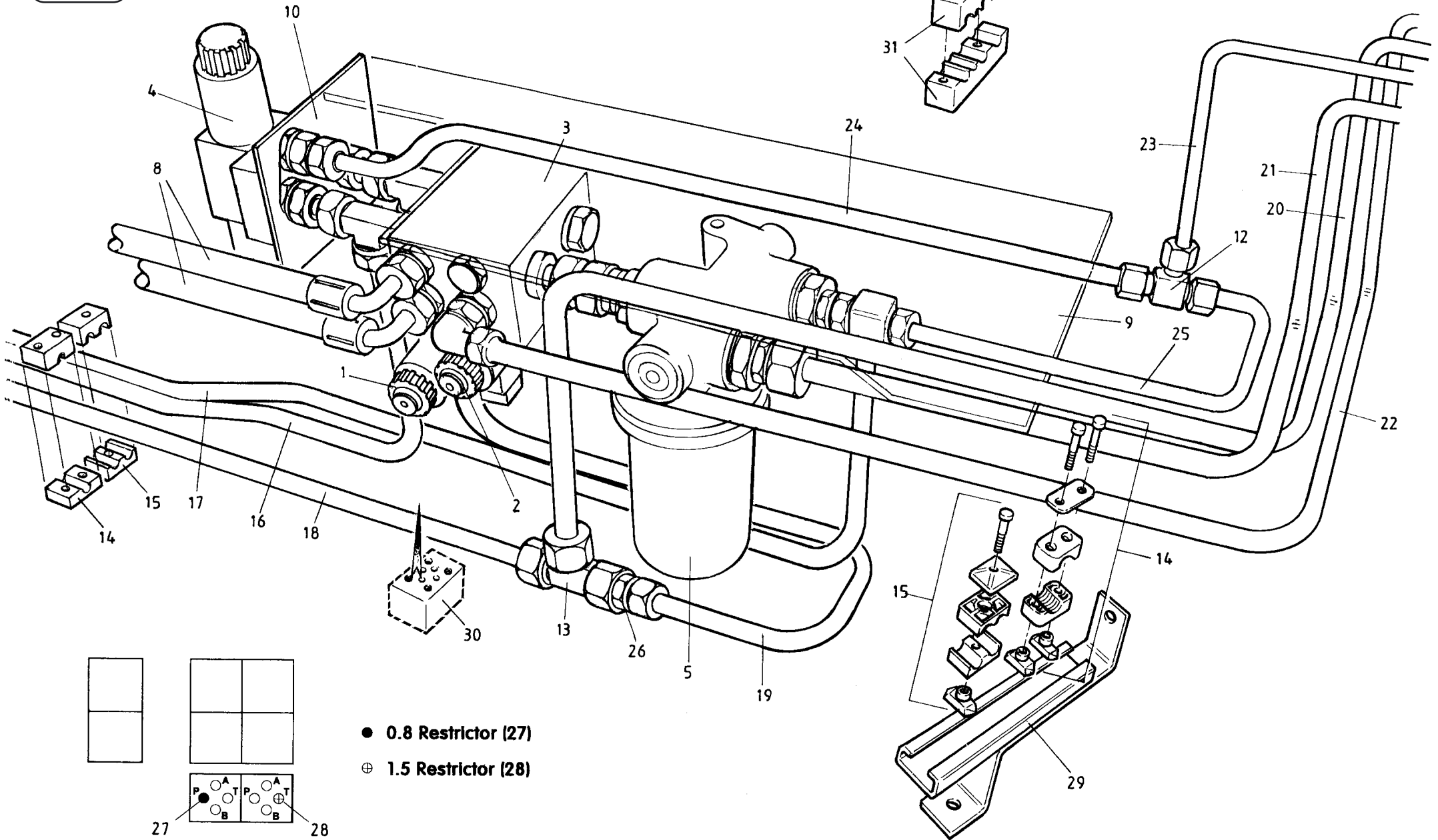
Assembly Group 13.3 - Front Manifold General Arrangement (Multiweb machines)

Item	Description	Part No.	Qty.
1	Valve: RPE3 - 043Y11 / 01200E2	UN-00091	1
2	Valve: ROE3 - 042S5MJ04 / 01200E2	UN-01554	1
3	2 Station Manifold	UN-00095	1
4	Valve: RPE3 - 063H11/12VDC + DP3-06-32-8	UN-00101	1
4A	Solenoid Valve Only	UN-00090	1
5	Electric Webtec Valve: TSK5377-2	UN-00106	1
6	Filter Assembly	UN-00107	1
7	Filter (Spare Element only)	UN-00108	1
8	Pressure Pad Ram Hose	UN-00783	2
9	Hydraulics Mount Plate	UN-10440	1
10	Valve Mount Plate	UN-10445	1
11	'O' Ring	UN-00697	1
12	Shuttle Valve	UN-05199	1
13	15L MMM Tee	UN-05059	1
14	Single Pipe Clamp	UN-05091	1
15	Double Pipe Clamp	UN-05090	1
16	Steel Pipe: Feed to Rear Manifold (Up to 2006)	UN-00801	1
16	Hose: Feed to Rear Manifold (2007 onwards)	UN-12317	1
17	Steel Pipe: Regulated Feed from Priority Valve to Directional Valve (Up to 2006)	UN-00802	1
17	Hose: Regulated Feed from Priority Valve to Directional Valve (2007 onwards)	UN-12318	1
18	Steel Pipe: Return from Rear Manifold (Long Section)	UN-00803	1
19	Steel Pipe: Return from Front Manifold (Up to 2006)	UN-00805	1
19	Hose: Return from Front Manifold (2007 onwards)	UN-12323	1
20	Steel Pipe: Return to Tractor from Tee	UN-00806	1
21	Steel Pipe: Feed from Tractor (Filter End)	UN-00807	1
22	Steel Pipe: Feed to Front Lift (Manifold End)	UN-00809	1
23	Steel Pipe: Load Sensing (Tractor Hose End to Shuttle Valve)	UN-00813	1
24	Steel Pipe: Load Sensing (Shuttle Valve to Dump Valve)	UN-00814	1
25	Steel Pipe: Load Sensing (Shuttle Valve to Cross Conveyor Feed)	UN-00815	1
26	15L x 12L FM Reducer	UN-05029	1
27	0.8mm Restrictor HY486 - 9005	UN-00103	1
28	1.5mm Restrictor HY486 - 9008	UN-00104	1
29	Pipe Clamp	UN-11531	1
30	Pilot Operated Check Valve: VJR1 - 04/MC	UN-00093	1

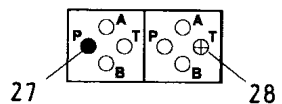
Item	Description	Part No.	Qty.
31	Pipe Clamp	UN-02982	1
32	Bolt Kit for Valves (Single Stack) NI	UN-00097	1
33	Bolt Kit for Valves (Double Stack) NI	UN-00098	1
34	Spare 'O' Ring for Valves NI	UN-01071	4 / valve

A/R = As Required NI = Not Illustrated N/A = Not Applicable

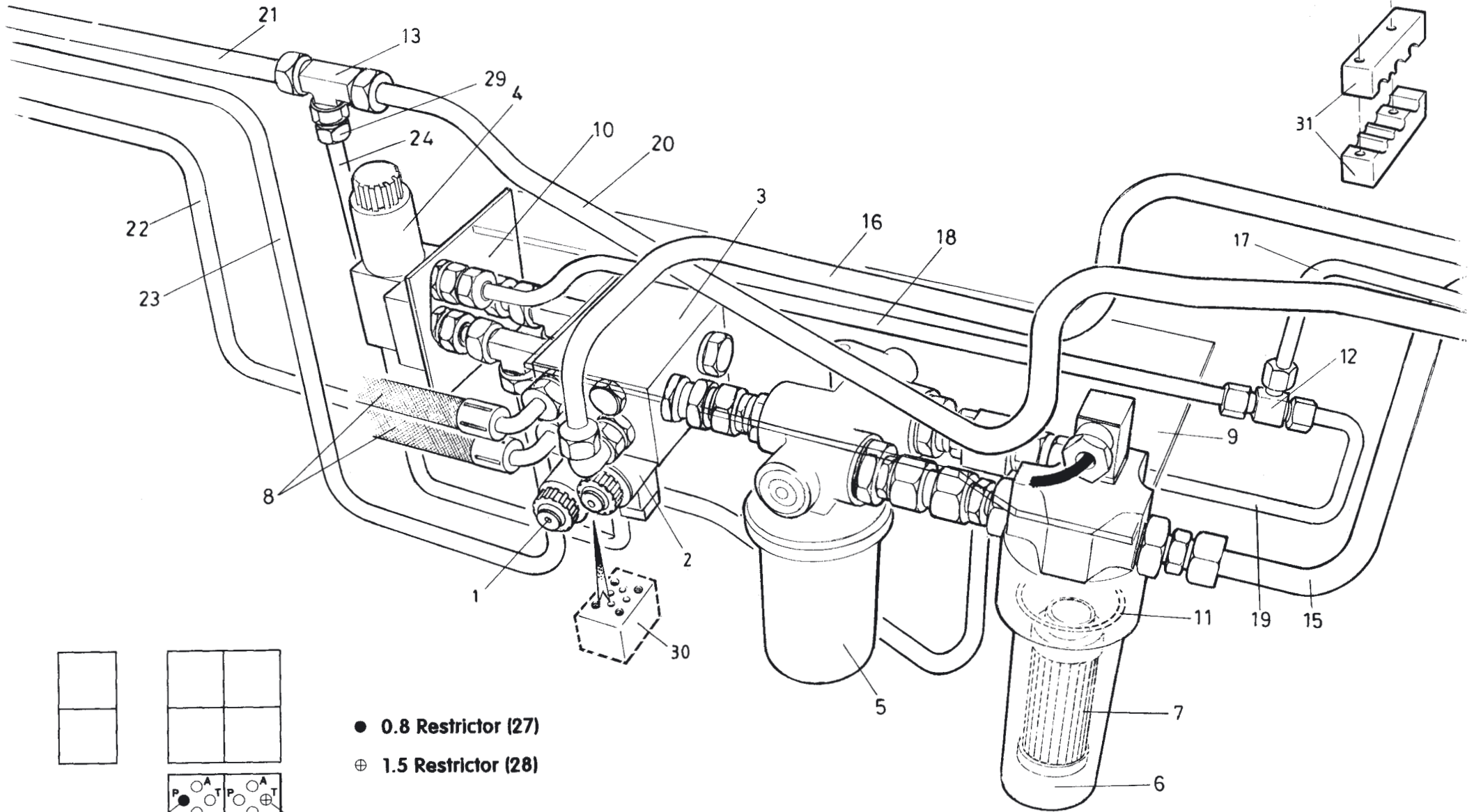
13.3D



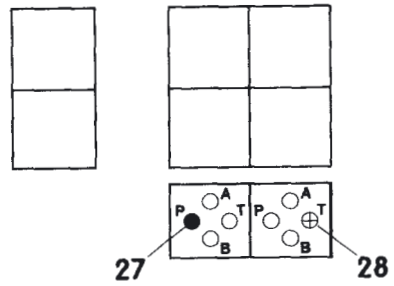
- 0.8 Restrictor (27)
- ⊕ 1.5 Restrictor (28)



13.4



- 0.8 Restrictor (27)
- ⊕ 1.5 Restrictor (28)



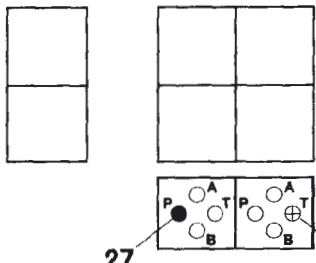
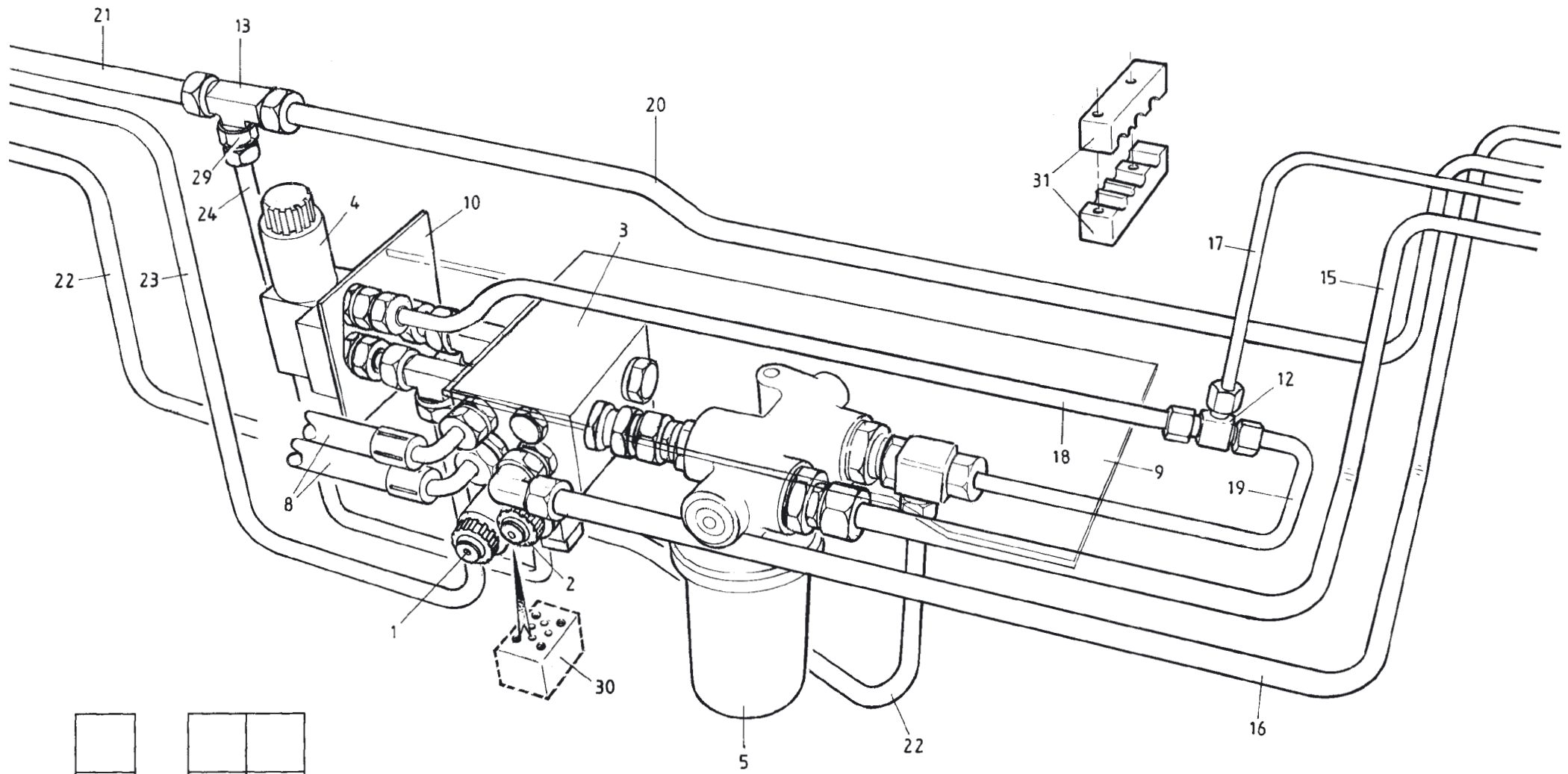
Assembly Group 13.4 - Front Manifold General Arrangement (Star machines)

Item	Description	Part No.	Qty.
1	Valve: RPE3 - 043Y11 / 01200E2	UN-00091	1
2	Valve: ROE3 - 04255MJ04 / 01200E2	UN-01554	1
3	2 Station Manifold	UN-00095	1
4	Valve: RPE3 - 063H11/12VDC + DP3-06-32-8	UN-00101	1
4A	Solenoid Valve Only	UN-00090	1
5	Electric Webtec Valve: TSK5377-2	UN-00106	1
6	Filter Assembly	UN-00107	1
7	Filter (Spare Element only)	UN-00108	1
8	Pressure Pad Ram Hose	UN-00783	2
9	Hydraulics Mount Plate	UN-10440	1
10	Valve Mount Plate	UN-10445	1
11	'O' Ring	UN-00697	1
12	Shuttle Valve	UN-05199	1
13	15L MMM Tee	UN-05059	1
15	Steel Pipe: Feed from Tractor (Filter End)	UN-00807	1
16	Steel Pipe: Feed to Front Lift (Manifold End)	UN-00809	1
17	Steel Pipe: Load Sensing (Tractor Hose End to Shuttle Valve)	UN-00813	1
18	Steel Pipe: Load Sensing (Shuttle Valve to Dump Valve)	UN-00814	1
19	Steel Pipe: Load Sensing (Shuttle Valve to Cross Conveyor Feed)	UN-00815	1
20	Steel Pipe: Return to Tractor (from Tee)	UN-00863	1
21	Steel Pipe: Return to Rear Manifold Tee	UN-00864	1
22	Steel Pipe: Cross Conveyor Feed (Priority Valve End)	UN-00865	1
23	Steel Pipe: Rear Manifold Feed (Front Manifold End)	UN-00866	1
24	Steel Pipe: Return from Front Manifold to Tee	UN-00825	1
27	0.8mm Restrictor HY486 - 9005	UN-00103	1
28	1.5mm Restrictor HY486 - 9008	UN-00104	1
29	15L x 12L FM Reducer	UN-05029	1
30	Pilot Operated Check Valve: VJR1 - 04/MC	UN-00093	1
31	Pipe Clamp	UN-02982	1
32	Bolt Kit for Valves (Single Stack) NI	UN-00097	1
33	Bolt Kit for Valves (Double Stack) NI	UN-00098	1
34	Spare 'O' ring for Valves NI	UN-01071	4 / valve

Item	Description	Part No.	Qty.

A/R = As Required NI = Not Illustrated N/A = Not Applicable

13.4D



- 0.8 Restrictor (27)
- ⊕ 1.5 Restrictor (28)

27 28

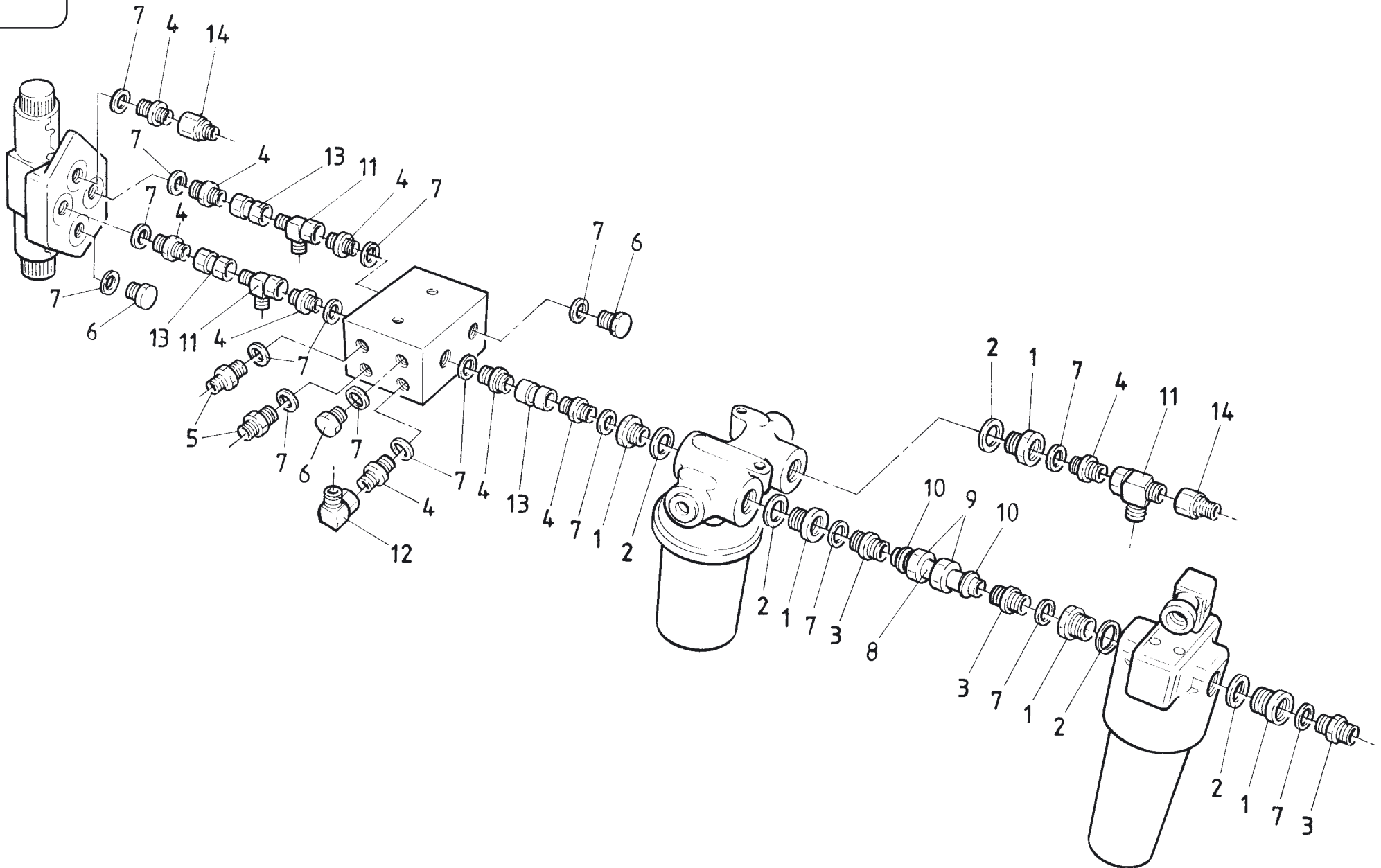
Assembly Group 13.4D - Front Manifold General Arrangement (Star machines with Diablo - up to 2008)

Item	Description	Part No.	Qty.
1	Valve: RPE3 - 043Y11 / 01200E2	UN-00091	1
2	Valve: ROE3 - 042S5MJ04 / 01200E2	UN-01554	1
3	2 Station Manifold	UN-00095	1
4	Valve: RPE3 - 063H11/12VDC + DP3-06-32-8	UN-00101	1
4A	Solenoid Valve Only	UN-00090	1
5	Electric Webtec Valve: TSK5377-2	UN-00106	1
8	Pressure Pad Ram Hose	UN-00783	2
9	Hydraulics Mount Plate	UN-10440	1
10	Valve Mount Plate	UN-10445	1
12	Shuttle Valve	UN-05199	1
13	15L MMM Tee	UN-05059	1
15	Steel Pipe: Feed from Tractor (Filter to Webtec Valve)	UN-01583	1
16	Steel Pipe: Feed to Front Lift (Manifold End)	UN-01582	1
17	Steel Pipe: Load Sensing Feed	UN-01579	1
18	Steel Pipe: Load Sensing (Shuttle Valve to Dump Valve)	UN-00814	1
19	Steel Pipe: Load Sensing (Shuttle Valve to Cross Conveyor Feed)	UN-00815	1
20	Steel Pipe: Return to Tractor (from Tee)	UN-01584	1
21	Steel Pipe: Return to Rear Manifold Tee	UN-00864	1
22	Steel Pipe: Cross Conveyor Feed (Priority Valve End)	UN-00865	1
23	Steel Pipe: Rear Manifold Feed (Front Manifold End)	UN-00866	1
24	Steel Pipe: Return from Front Manifold to Tee	UN-00825	1
27	0.8mm Restrictor HY486 - 9005	UN-00103	1
28	1.5mm Restrictor HY486 - 9008	UN-00104	1
29	15L x 12L FM Reducer	UN-05029	1
30	Pilot Operated Check Valve: VJR1 - 04/MC	UN-00093	1
31	Pipe Clamp	UN-02982	1
32	Bolt Kit for Valves (Single Stack) NI	UN-00097	1
33	Bolt Kit for Valves (Double Stack) NI	UN-00098	1
34	Spare 'O' ring for Valves NI	UN-01071	4 / valve

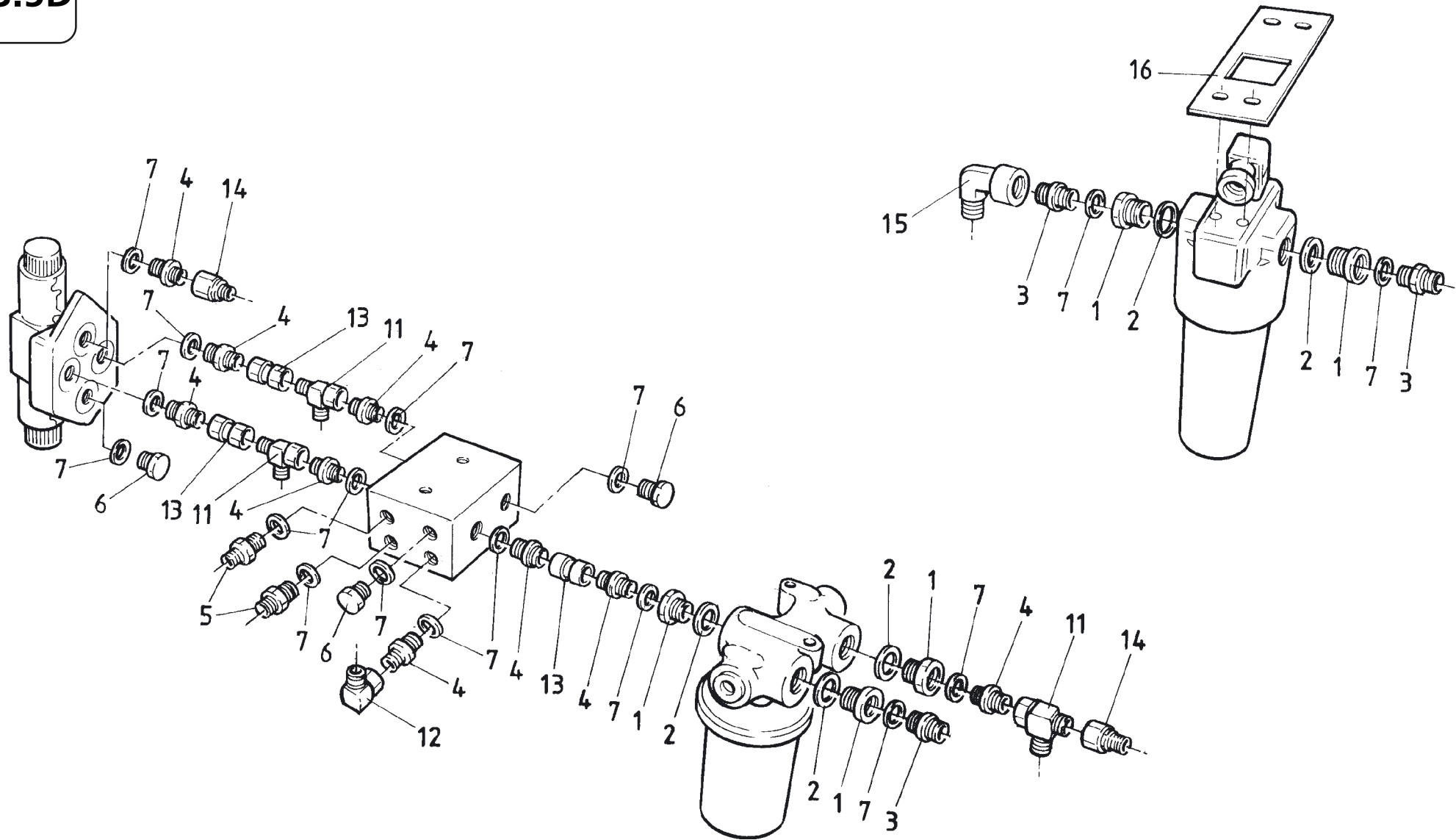
Item	Description	Part No.	Qty.

A/R = As Required NI = Not Illustrated N/A = Not Applicable

13.5



13.5D

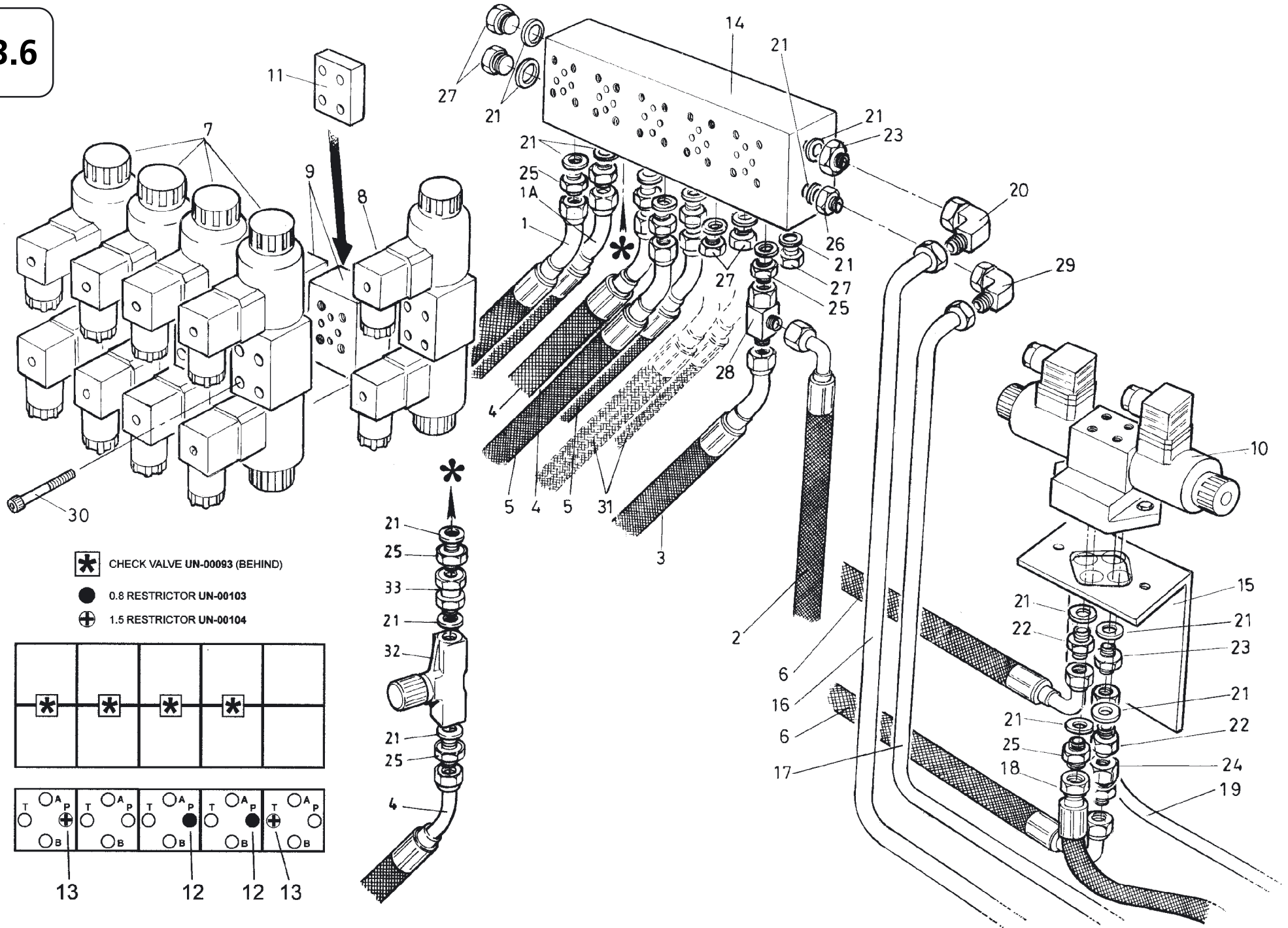


Assembly Group 13.5D - Front Manifold Fittings (Diablo machines - up to 2008)

Item	Description	Part No.	Qty.
1	3/4" x 3/8" BSP MF Adapter	UN-05025	5
2	3/4" BSP Dowty Washer	UN-05103	5
3	3/8" BSP x 15L MM Adapter	UN-05007	3
4	3/8" BSP x 12L MM Adapter	UN-05006	9
5	3/8" x 1/4" BSP MM Adapter	UN-05003	2
6	3/8" BSP Plug	UN-05030	3
7	3/8" BSP Dowty Washer	UN-05101	17
11	12L MFM Tee	UN-05028	3
12	12L x 90° MF Elbow	UN-05026	1
13	12L FF Swivel Adapter	UN-05011	3
14	12L x 8L FM Reducer	UN-05027	2
15	15L MF Elbow	UN-05017	1
16	Filter Mount Plate	UN-11739	1
17	Spare 'O' Ring for Valves NI	UN-01071	4 / valve

Item	Description	Part No.	Qty.

13.6



Assembly Group 13.6 - Rear Manifold - (Multiweb machines)

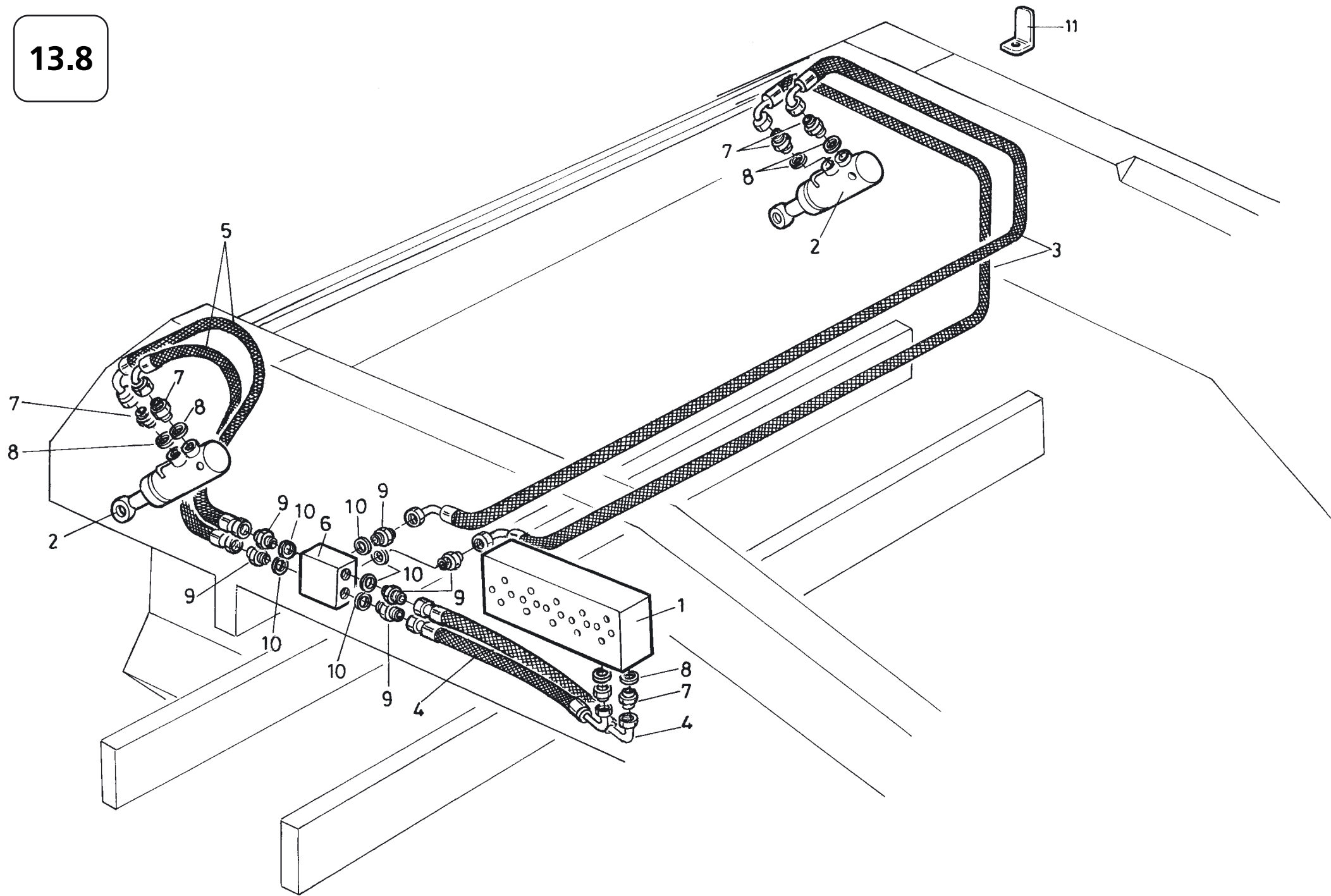
Item	Description	Part No.	Qty.
1	Cross Conveyor Ram Hose	UN-00784	1
1A	Cross Conveyor Ram Hose (Narrow Machines)	UN-00784	1
1A	Cross Conveyor Ram Hose (Wide Machines)	UN-01068	1
2	Right Hand Rear Lift Hose	UN-00785	1
3	Left Hand Rear Lift Hose (Narrow Machines)	UN-00786	1
3	Left Hand Rear Lift Hose (Wide Machines)	UN-00816	1
4	Steering Ram Hose (Narrow Machines)	UN-00787	2
4	Steering Ram Hose (Wide Machines)	UN-00817	2
5	Levelling Ram Hose (Narrow Machines)	UN-00788	2
5	Levelling Ram Hose (Wide Machines)	UN-00818	2
6	Cross Conveyor Motor Hose (Narrow Machines)	UN-00789	2
6	Cross Conveyor Motor Hose (Wide Machines)	UN-00819	2
7	Valve: RPE3 - 043Y11 / 01200E2	UN-00091	3 or 4
8	Valve: ROE3 - 042S5MJ04 / 01200E2	UN-01554	1
9	Pilot Operated Check Valve: VJR1 - 04/MC	UN-00093	3 or 4
10	Valve: RPE3 - 063H11/12VDC + DP3-06-32-8	UN-00101	1
10A	Solenoid Valve Only	UN-00090	1
11	Blanking Plate: DK1 - 04/32 - 2 (Basic Machines Only)	UN-00102	1
12	0.8mm Restrictor HY486 - 9005	UN-00103	1 or 2
13	1.5mm Restrictor HY486 - 9008	UN-00104	2
14	5 Station Manifold	UN-00096	1
15	Valve Mount Plate	UN-10449	1
16	Steel Pipe: Return from Rear Manifold to Tee (Up to 2006)	UN-00808	1
16	Hose: Return from Rear Manifold to Tee (2007 onwards)	UN-12315	1
17	Steel Pipe: Feed to Rear Manifold (Up to 2006)	UN-00801	1
17	Hose: Feed to Rear Manifold (2007 onwards)	UN-12320	1
18	Hose: Return from Cross Conveyor Directional Valve (Up to 2006)	UN-01069	1
18	Hose: Return from Cross Conveyor Directional Valve (2007 onwards)	UN-12319	1
19	Steel Pipe: Regulated Feed from Priority Valve to Directional Valve (Up to 2006)	UN-00802	1
19	Hose: Regulated Feed from Priority Valve to Directional Valve (2007 onwards)	UN-12316	1
20	15L MF Elbow (Up to 2006)	UN-05017	1
21	3/8" Dowty Washer	UN-05101	20
22	3/8" x 3/8" BSP MM Adapter	UN-05001	2
23	3/8" BSP x 15L MM Adapter	UN-05007	2

Item	Description	Part No.	Qty.
24	3/8" x 3/8" BSP MF Swivel Adapter	UN-05010	1
25	3/8" x 1/4" BSP MM Adapter	UN-05003	9 or 11
26	3/8" BSP x 12L MM Adapter	UN-05006	1
27	3/8" BSP Plug	UN-05030	3 or 5
28	1/4" BSP MMF Tee	UN-05055	1
29	12L MF Elbow (Up to 2006)	UN-05026	1
30	Bolt Kit for Valves (Single Stack)	UN-00097	1
30	Bolt Kit for Valves (Double Stack)	UN-00098	3 or 4
30	Bolt Kit - Blanking Plate (Basic Machines Only)	UN-00099	1
31	Rear Manifold to Stone Box Manifold Hose	UN-00823	2
32	Variable Restrictor (2005 onwards)	UN-05198	1
33	3/8" x 1/4" BSP MF Swivel Adapter (2005 onwards)		1
34	Spare 'O' Ring for Valves NI	UN-01071	4 / valve

Assembly Group 13.7 - Rear Manifold (Star machines)

Item	Description	Part No.	Qty.	Item	Description	Part No.	Qty.
1	Cross Conveyor Ram Hose	UN-00784	1	28	1/4" BSP MMF Tee	UN-05055	1
1A	Cross Conveyor Ram Hose (Narrow Machines)	UN-00784	1	29	15L MMM Tee	UN-05059	1
1A	Cross Conveyor Ram Hose (Wide Machines)	UN-01068	1	30	Bolt Kit for Valves (Single Stack)	UN-00097	1
2	Right Hand Rear Lift Hose	UN-00785	1	30	Bolt Kit for Valves (Double Stack)	UN-00098	3 or 4
3	Left Hand Rear Lift Hose (Narrow Machines)	UN-00786	1	30	Bolt Kit - Blanking Plate (Basic Machines Only)	UN-00099	1
3	Left Hand Rear Lift Hose (Wide Machines)	UN-00816	1	31	Rear Manifold to Stone Box Manifold Hose	UN-00823	2
4	Steering Ram Hose (Narrow Machines)	UN-00787	2	32	3/8" BSP x 15L MF Elbow		1
4	Steering Ram Hose (Wide Machines)	UN-00817	2	33	Variable Restrictor (2005 onwards)	UN-05198	1
5	Levelling Ram Hose (Narrow Machines)	UN-00788	2	34	3/8" x 1/4" BSP MF Swivel Adapter (2005 onwards)		1
5	Levelling Ram Hose (Wide Machines)	UN-00818	2	35	Spare 'O' Ring for Valves NI	UN-01071	4 / valve
6	Cross Conveyor Motor Hose (Narrow Machines)	UN-00789	2				
6	Cross Conveyor Motor Hose (Wide Machines)	UN-00819	2				
7	Valve: RPE3 - 043Y11 / 01200E2	UN-00091	3 or 4				
8	Valve: ROE3 - 042S5MJ04 / 01200E2	UN-01554	1				
9	Pilot Operated Check Valve: VJR1 - 04/MC	UN-00093	3 or 4				
10	Valve: RPE3 - 063H11/12VDC + DP3-06-32-8	UN-00101	1				
10A	Solenoid Valve Only	UN-00090	1				
11	Blanking Plate: DK1 - 04/32 - 2 (Basic Machines Only)	UN-00102	1				
12	0.8mm Restrictor HY486 - 9005	UN-00103	1 or 2				
13	1.5mm Restrictor HY486 - 9008	UN-00104	2				
14	5 Station Manifold	UN-00096	1				
15	Valve Mount Plate	UN-10449	1				
16	Steel Pipe: Return (Rear Manifold to Tee)	UN-00829	1				
17	Steel Pipe: Feed to Rear Manifold (Rear Section)	UN-00866	1				
18	Steel Pipe: Return to Rear Manifold Tee	UN-00864	1				
19	Steel Pipe: Return from Directional Valve	UN-00827	1				
20	Steel Pipe: Feed to Cross Conveyor (Rear Section)	UN-00865	1				
21	3/8" Dowty Washer	UN-05101	20				
22	3/8" x 3/8" BSP MM Adapter	UN-05001	3				
23	3/8" BSP x 15L MM Adapter	UN-05007	2				
24	3/8" x 3/8" BSP MF Swivel Adapter	UN-05010	1				
25	3/8" x 1/4" BSP MM Adapter	UN-05003	8 or 10				
26	3/8" BSP x 12L MM Adapter	UN-05006	1				
27	3/8" BSP Plug	UN-05030	3 or 5				

13.8



Assembly Group 13.8 - Stone Hopper Hydraulic Arrangement

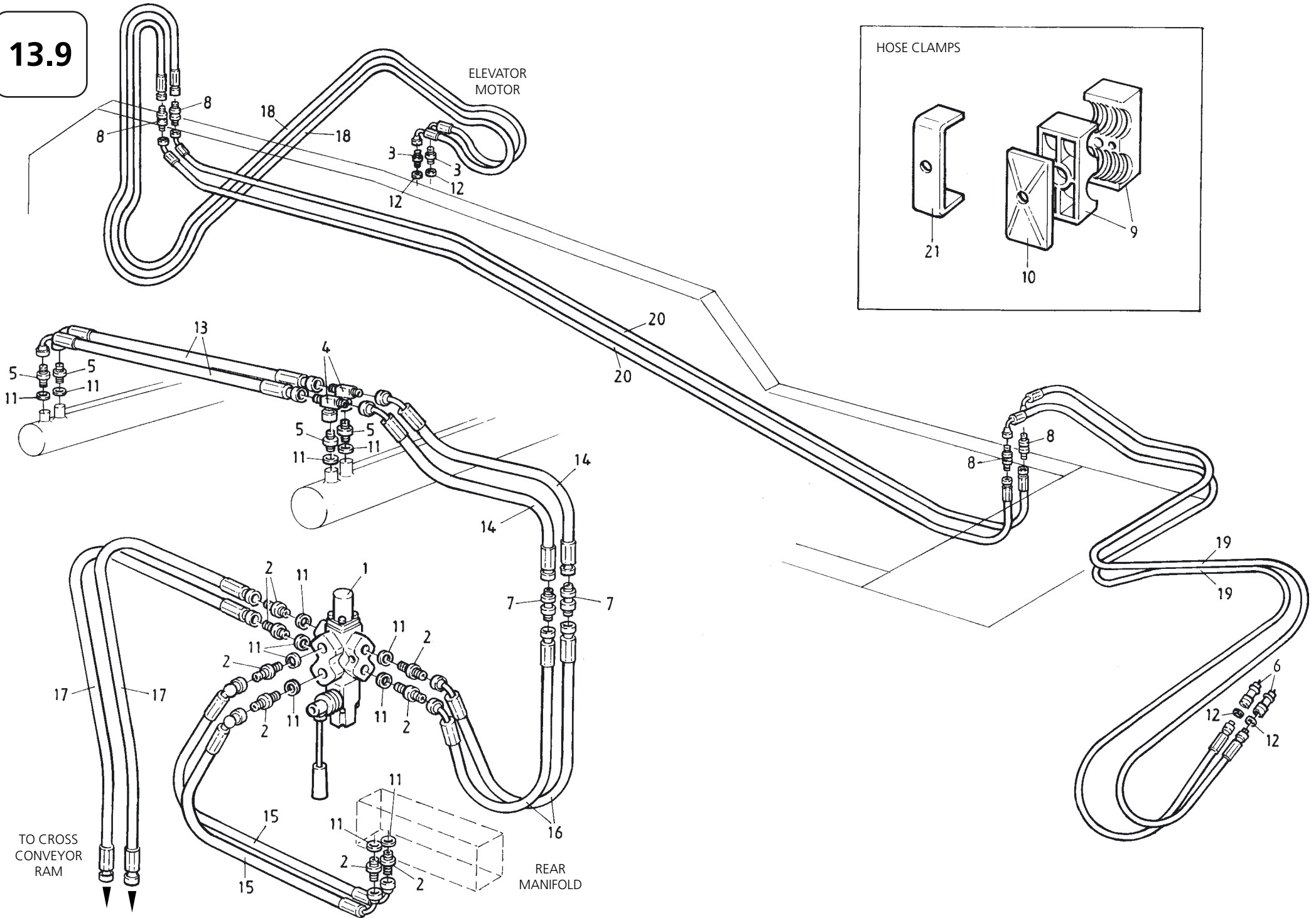
Item	Description	Part No.	Qty.
1	Rear Manifold	UN-00096	1
2	Ram	UN-00119	2
2A	Ram Seal Kit	UN-00122	
3	Hose: Stone Box Ram to Stone Box Manifold (LH - Narrow machines)	UN-00822	2
3	Hose: Stone Box Ram to Stone Box Manifold (LH - Wide machines)	UN-01033	2
4	Hose: Rear Manifold to Stone Box Manifold	UN-00823	2
5	Hose: Stone Box Ram to Stone Box Manifold (RH)	UN-00824	2
6	Stone Box Manifold	UN-15085	1
7	3/8" x 1/4" BSP MM Adapter	UN-05003	6
8	3/8" BSP Dowty Washer	UN-05101	6
9	1/4" x 1/4" BSP MM Adapter	UN-05000	6
10	1/4" BSP Dowty Washer	UN-05100	6
11	Hose Bracket	UN-10294	4

Item	Description	Part No.	Qty.

13.9

ELEVATOR
MOTOR

HOSE CLAMPS



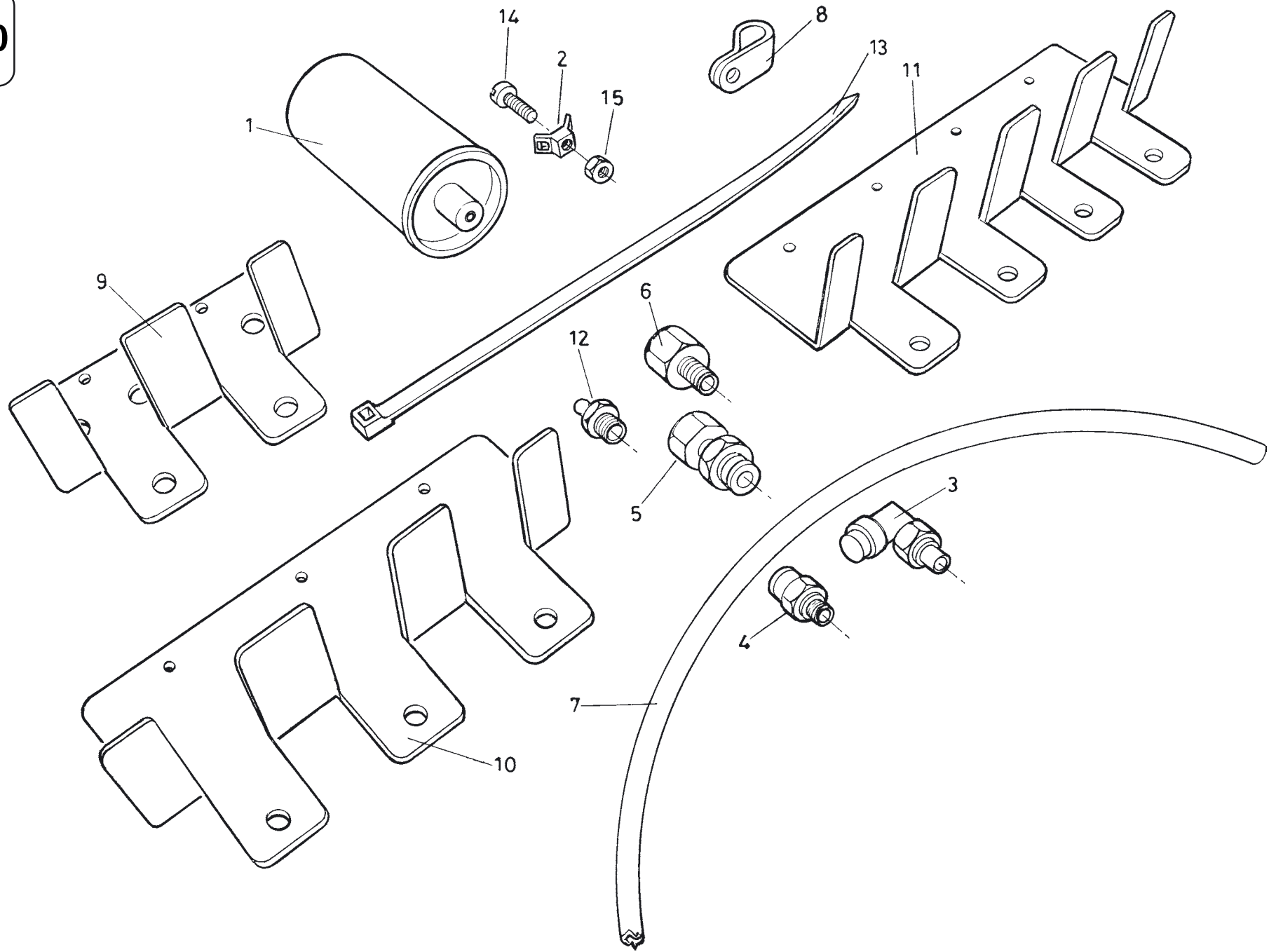
Assembly Group 13.9 -Loading Elevator Hydraulic Arrangement

Item	Description	Part No.	Qty.
1	Diverter Valve	UN-01183	1
2	3/8 " x 1/4 " BSP MM Adapter	UN-05003	6
3	3/8 " x 1/2 " BSP MM Adapter	UN-05004	2
4	1/4 " BSP MMF Tee	UN-05055	2
5	3/8 " x 1/4 " BSP MM Restrictor (1/32 " - 2 way)	UN-05065	4
6	1/2 " BSP Quick Release Coupling	UN-05075	2
7	1/4 " BSP MM Bulkhead Adapter	UN-05080	2
8	3/8 " BSP MM Bulkhead Adapter	UN-05081	4
9	Double Hose Clamp	UN-05088	5
10	Cover Plate	UN-05089	5
11	3/8 " BSP Dowty Washer	UN-05101	10
12	1/2 " BSP Dowty Washer	UN-05102	4
13	Hose: Lift Ram to Lift Ram	UN-01235	2
14	Hose: Bulkhead to Lift Ram	UN-01236	2
15	Hose: Rear Manifold to Diverter Valve	UN-01237	2
16	Hose: Diverter Valve to Bulkhead	UN-01238	2
17	Hose: Diverter Valve to Cross Conveyor Ram	UN-01239	2
18	Hose: Elevator Motor to Bulkhead	UN-01240	2
19	Hose: Feed & Return	UN-01241	2
20	Hose: Bulkhead to Bulkhead	UN-01242	2
21	Hose Clamp	UN-10663	5

Item	Description	Part No.	Qty.

A/R = As Required NI = Not Illustrated N/A = Not Applicable

13.10



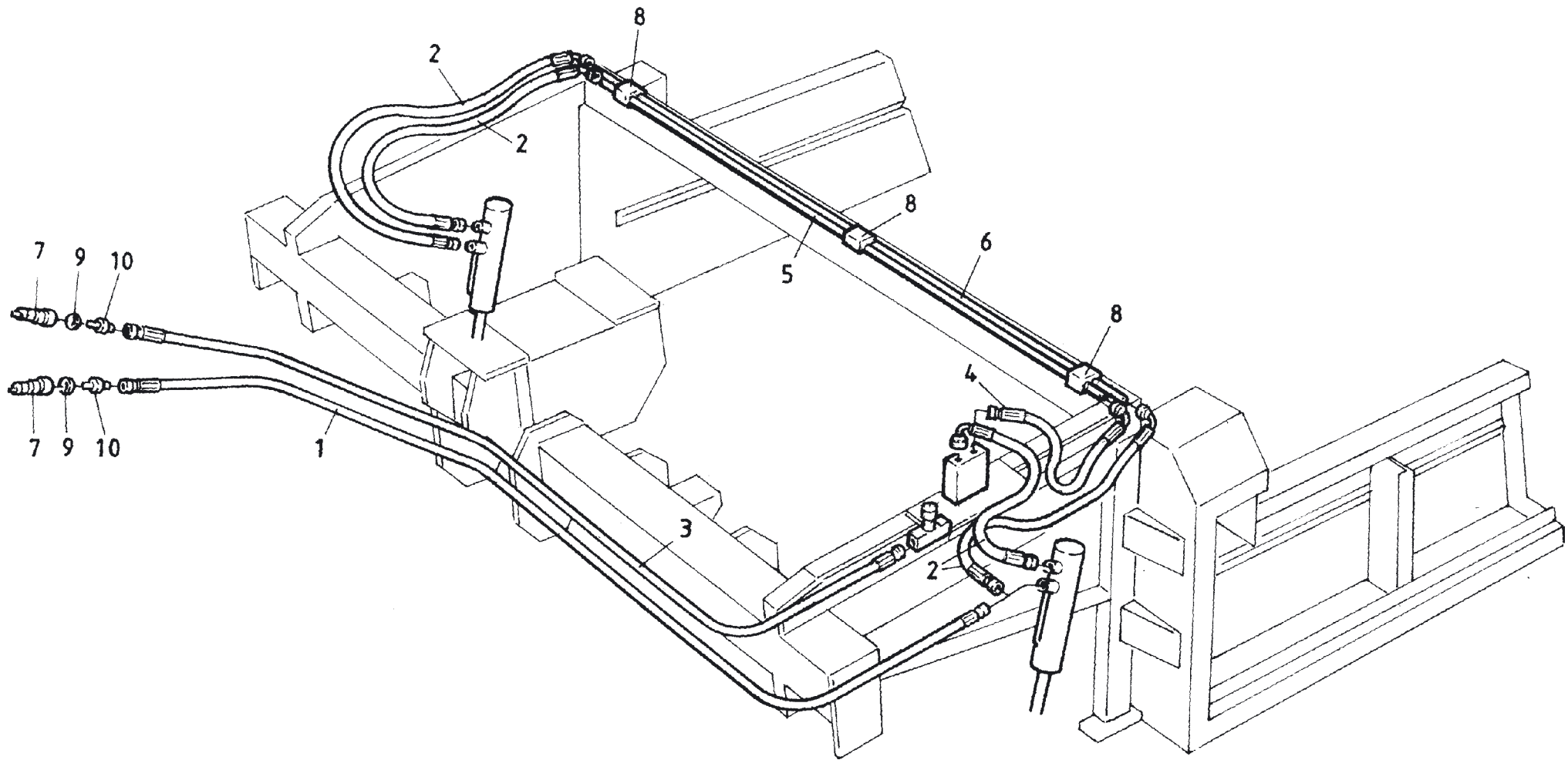
Assembly Group 13.10 - Auto Grease System

Item	Description	Part No.	Qty.
1	Auto Grease Cartridge	UN-00832	A/R
2	Plastic Retainer	UN-00833	A/R
3	M6 x 90° Push Fit Male Adapter	UN-00834	A/R
4	M6 Straight Push Fit Male Adapter	UN-00835	A/R
5	1/8" BSP Female Push Fit Bulkhead Adapter	UN-00836	A/R
6	1/8" BSP Male x 1/4" BSP Female Fixed Adapter	UN-00837	A/R
7	Grease Pipe	UN-00838	per mtr.
8	P-Clip	UN-00839	A/R
9	2 Stage Bracket	UN-11011	A/R
10	3 Stage Bracket	UN-11012	A/R
11	4 Stage Bracket (Yr. 2004)	UN-11013	A/R
12	Grease Nipple 1/8" BSP Straight		A/R
13	Cable Tie	UN-00894	A/R
14	Slotted Screw M5 x 16		A/R
15	Nyloc Nut M5		A/R

Item	Description	Part No.	Qty.

A/R = As Required NI = Not Illustrated N/A = Not Applicable

13.11



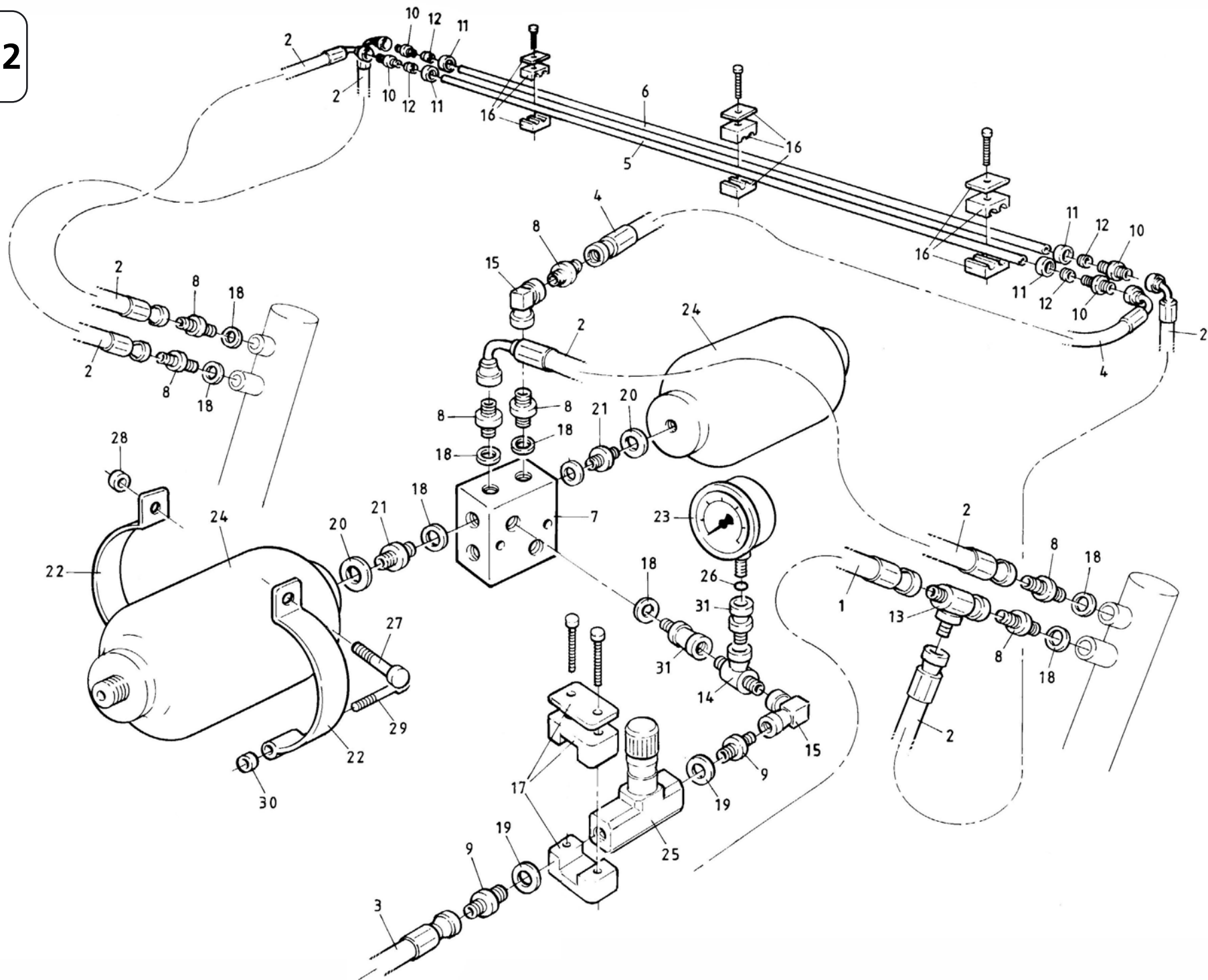
Assembly Group 13.11 - Pipe & Hose Arrangement - Diablo Machines (up to 2008)

Item	Description	Part No.	Qty.
1	Hose: Feed from Tractor	UN-01594	1
2	Hose: Ram to Manifold / Steel Pipe	UN-01595	4
3	Hose: Tractor to Needle Valve	UN-01596	1
4	Hose: Manifold to Steel Pipe	UN-01597	1
5	Steel Pipe - Short	UN-01589	1
6	Steel Pipe - Long	UN-01588	1
7	1/2" BSP Probe	UN-05075	2
8	Double Pipe Clamp	UN-05090	3
9	1/2" BSP Dowty Washer	UN-05102	2
10	1/2" BSP x 1/4" BSP Adaptor	UN-05105	2

Item	Description	Part No.	Qty.

A/R = As Required NI = Not Illustrated N/A = Not Applicable

13.12



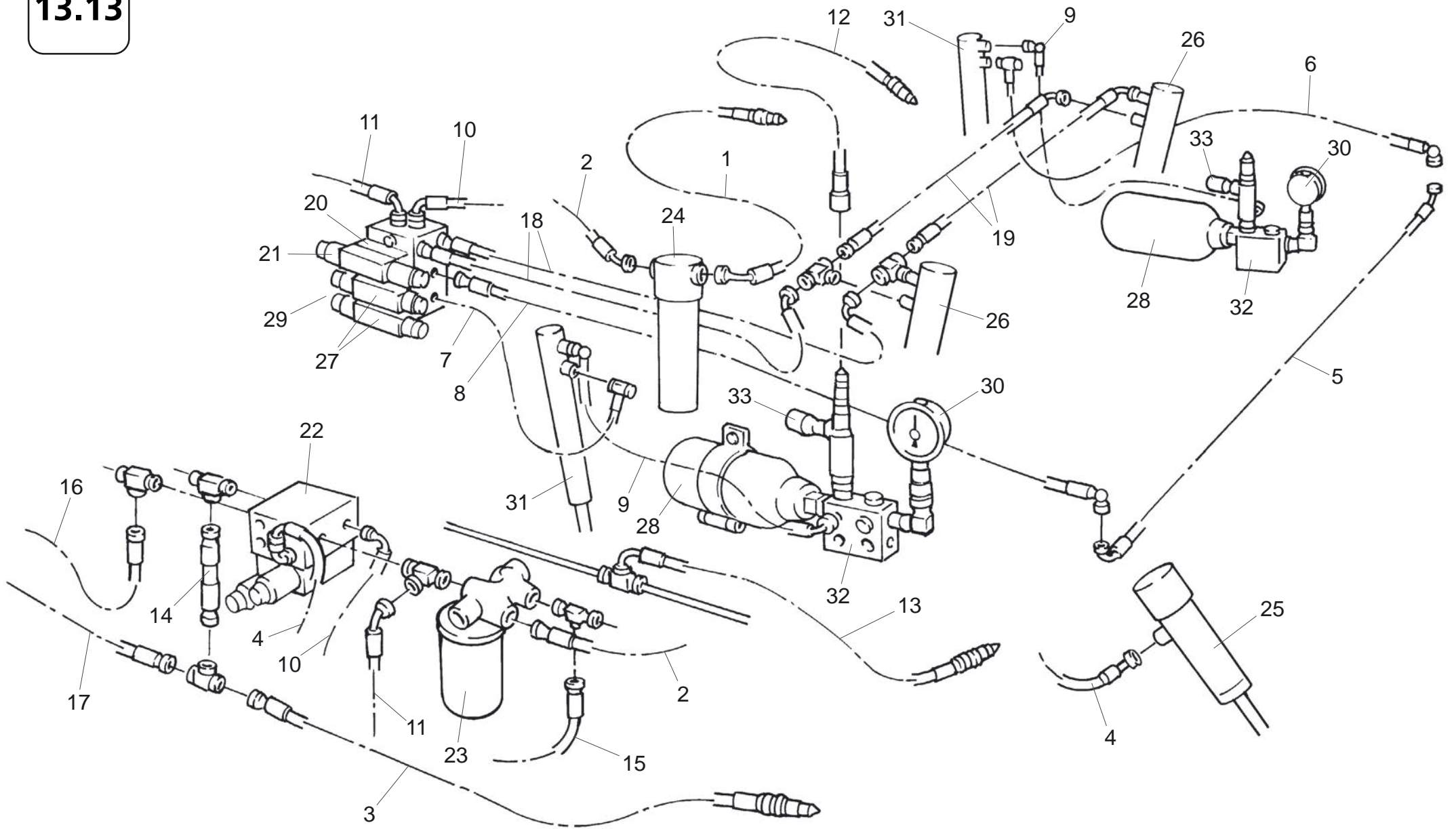
Assembly Group 13.12 - Diablo Manifold Fittings (up to 2008)

Item	Description	Part No.	Qty.
1	Hose: Feed from Tractor	UN-01594	1
2	Hose: Ram to Manifold / Steel Pipe	UN-01595	4
3	Hose: Tractor to Needle Valve	UN-01596	1
4	Hose: Manifold to Steel Pipe	UN-01597	1
5	Steel Pipe - Short	UN-01589	1
6	Steel Pipe - Long	UN-01588	1
7	Manifold	UN-17197	1
8	1/4" BSP x 1/4" BSP MM Adapter	UN-05000	7
9	3/8" BSP x 1/4" BSP MM Adapter	UN-05003	2
10	1/4" BSP x 12L MM Adapter	UN-05007	4
11	Tube Nut 12L	UN-05016	4
12	Cutting Ring 12L	UN-05021	4
13	1/4" BSP FMM Branch Tee	UN-05054	1
14	1/4" BSP MMF Branch Tee	UN-05055	1
15	1/4" BSP FF 90° Compact Elbow	UN-05069	2
16	Double Pipe Clamp	UN-05090	3
17	Single Pipe Clamp	UN-05091	1
18	1/4" BSP Dowty Washer	UN-05100	9
19	3/8" BSP Dowty Washer	UN-05101	2
20	1/2" BSP Dowty Washer	UN-05102	2
21	1/2" BSP x 1/4" BSP Adaptor	UN-05105	2
22	Accumulator Clamp	UN-15031	4
23	Gauge	UN-15081	1
24	Accumulator	UN-15170	2
25	Needle Valve	UN-15198	1
26	Rubber 'O' Ring		1
27	Hex Bolt M10 x 40		2
28	Nyloc M10		2
29	Socket Head Machine Screw M10 x 70		4
30	Nyloc M8		4
31	1/4" x 1/4" MF Swivel Adapter	UN-05087	2

Item	Description	Part No.	Qty.

A/R = As Required NI = Not Illustrated N/A = Not Applicable

13.13



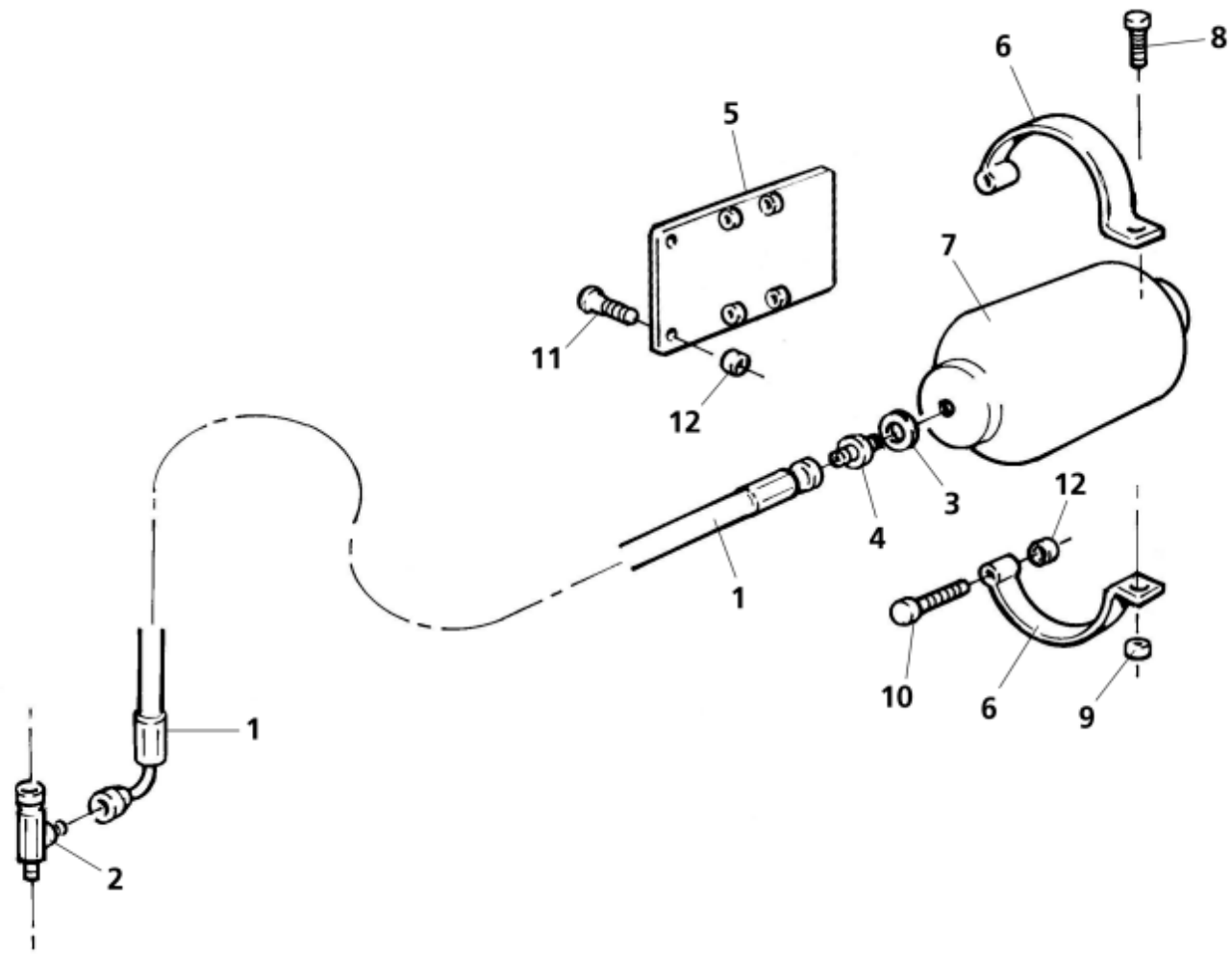
Assembly Group 13.13 - Diablo Manifold Pipework - (2009 Onwards)

Item	Description	Part No.	Qty.
1	Hose: Tractor to Filter	UN-12620	1
2	Hose: Feed from Filter to Webtec Valve	UN-12621	1
3	Hose: Return from Tee piece to Tractor	UN-12622	1
4	Hose: Main Manifold to Front Lift Ram	UN-12623	1
5	Hose: Crossmember 'through' Hose (4215)	UN-12619	1
5	Hose: Crossmember 'through' Hose (4213/5)	UN-12624	1
6	Hose: Bottom Ram Port to Cross Member (LH)	UN-12625	1
7	Hose: Extra Manifold to (RH) Ram - (Bottom Port)	UN-12626	1
8	Hose: Extra Manifold to Crossmember	UN-12627	1
9	Hose: Accumulator to Disc Ram (Top Port)	UN-12628	2
10	Hose: Return from Extra Manifold to Main Manifold	UN-12629	1
11	Hose: Pressure from Main Manifold to Extra Manifold	UN-12630	1
12	Hose: Charge Pressure Hose	UN-12631	1
13	Hose: Load Sensing Hose	UN-12632	1
14	Hose: Return from Main Manifold to Tee piece	UN-12633	1
15	Hose: Webtec Valve to Steel Pipe (Directional Valve)	UN-12634	1
16	Hose: Main Manifold to Steel Pipe (to Rear Manifold)	UN-12635	1
17	Hose: Return from Steel Pipe to Main Manifold Tee piece	UN-12636	1
18	Hose: Diablo Ram to Extra Manifold	UN-12637	2
19	Hose: Diablo Ram to Ram	UN-12638	2
20	Valve: RPE3 - 043Y11 / 01200E2	UN-00091	1
21	Pilot Operated Check Valve: VJR1 - 04/MC	UN-00093	1
22	2 Station Manifold	UN-00095	1
23	Electric Webtec Valve: TSK5377-2	UN-00106	1
24	Filter Assembly	UN-00107	1
25	Front Lift Ram	UN-00109	1
26	Ram	UN-00119	2
27	Valve: ROE3 - 042S5MJ04 / 01200E2	UN-01554	2
28	Diablo Accumulator	UN-01772	2
29	Manifold Assembly c/w Valves	UN-01839	1
30	Gauge - 1400 psi (0-100 bar)	UN-01852	2
31	Disc Ram	UN-11704	2
32	Manifold	UN-17197	2
33	Needle Valve	UN-05198	2

Item	Description	Part No.	Qty.

A/R = As Required NI = Not Illustrated N/A = Not Applicable

13.14



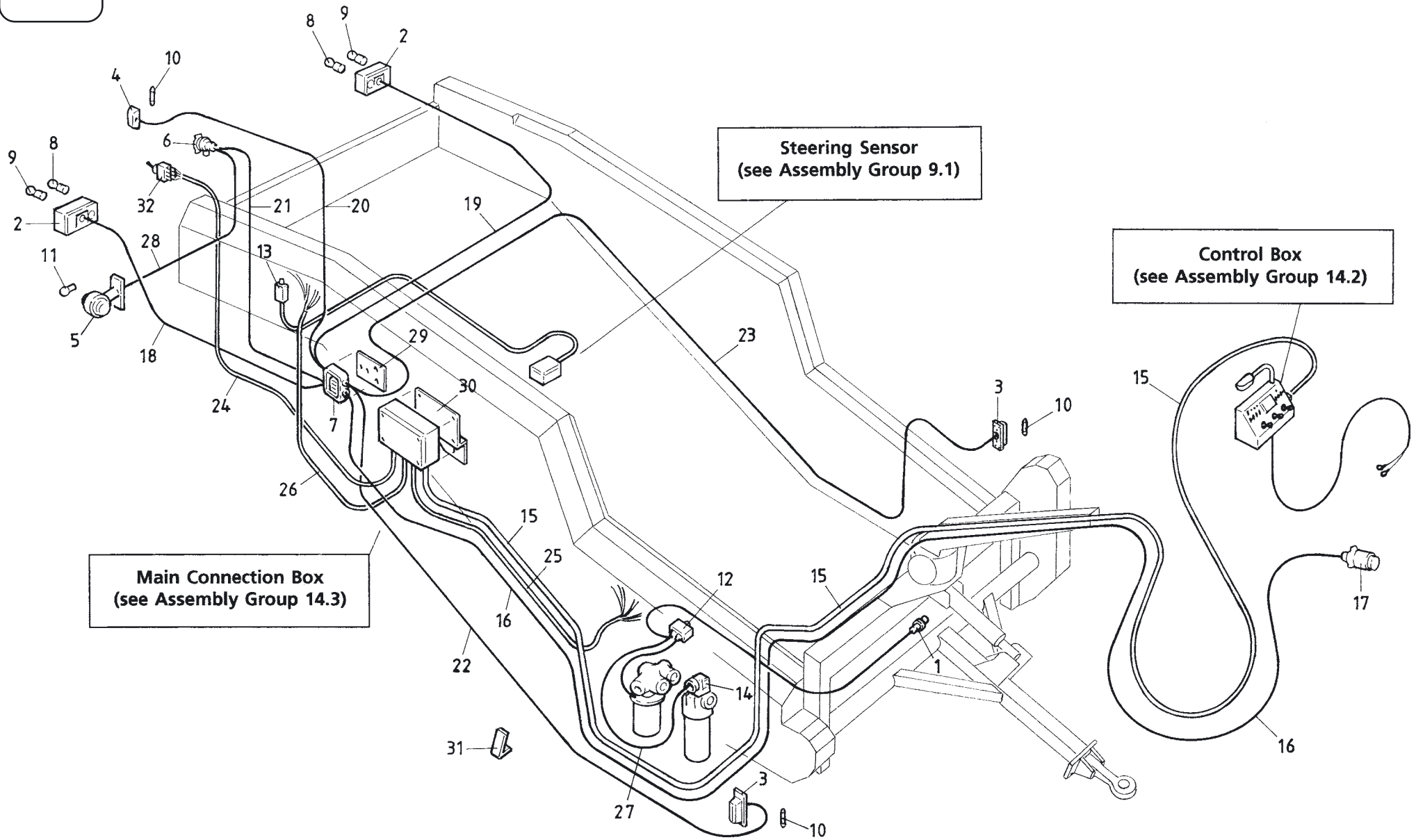
Assembly Group 13.14 - Transport Suspension System

Item	Description	Part No.	Qty.
1	Hose: Accumulator to Rear Manifold	UN-00824	1
2	1/4" BSP FMM Branch Tee	UN-05054	1
3	1/2" BSP Dowty Washer	UN-05102	1
4	1/2" BSP x 1/4" BSP Adaptor	UN-05105	1
5	Accumulator Mount Plate	UN-12196	1
6	Accumulator Clamp	UN-15031	2
7	Accumulator	UN-15170	1
8	Hex Bolt M10 x 40		1
9	Nyloc Nut M10		1
10	Socket Head Machine Screw M8 x 70		2
11	Cup Square Bolt M8 x 25		4
12	Nyloc Nut M8		6

Item	Description	Part No.	Qty.

A/R = As Required NI = Not Illustrated N/A = Not Applicable

14.1

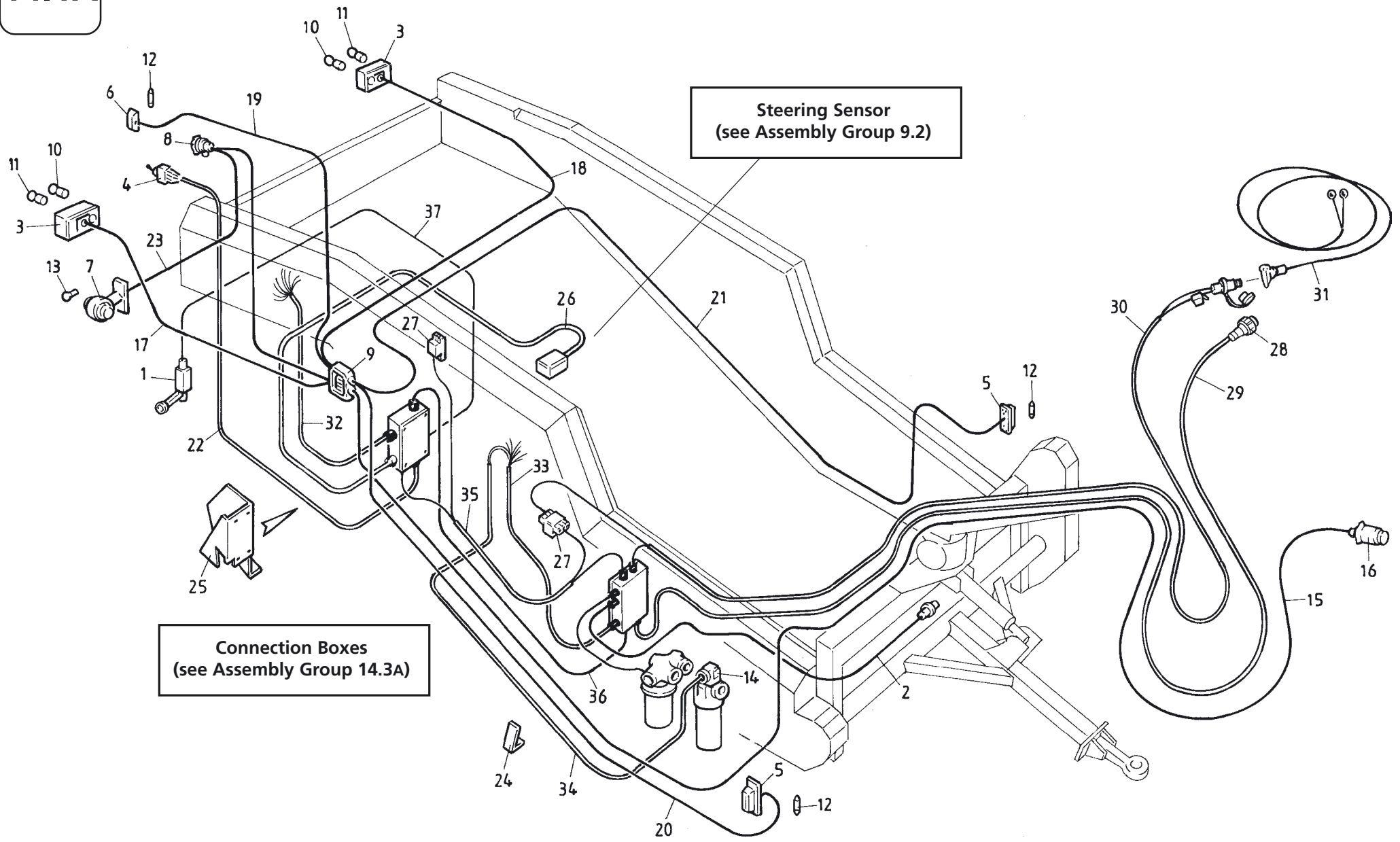


Assembly Group 14.1 - Electrical Wiring Loom (Yr. 2004)

Item	Description	Part No.	Qty.	Item	Description	Part No.	Qty.
1	Depth Sensor c/w Cable	UN-00598	1				
2	Rear Combination Light	UN-00641	2				
3	Side Marker Lamp	UN-00918	2				
4	Number Plate Lamp	UN-00919	1				
5	Rubber Neck Side Light	UN-00920	1				
6	Beacon Socket	UN-00921	1				
7	8 Way Junction Box	UN-00922	1				
8	Spare Bulb for UN-00641 (Stop Lamp)	UN-00928	-				
9	Spare Bulb for UN-00641 (Indicator)	UN-00929	-				
10	Spare Bulb for Number Plate / Side Marker	UN-00930	-				
11	Spare Bulb for UN-00920 Rubber Side Light	UN-00931	-				
12	Plastic Connection box - Front (complete)	UN-00932	1				
13	Plastic Connection box - Rear (complete)	UN-00933	1				
14	Filter GDM Appliance Connector	UN-00934	1				
15	31 core Armoured Tractor Cable (10m) c/w plug	UN-00935	1				
16	7 core Road Light Cable c/w 12N plug	UN-00936	1				
17	12N plug only (7 pole)	UN-00937	1				
18	7 core Cable (2.1m)	UN-00938	1				
19	7 core Cable (4.1m)	UN-00939	1				
20	2 core Cable (5.1m)	UN-00940	1				
21	2 core Cable (3.6m)	UN-00941	1				
22	2 core Cable (6.1m)	UN-00942	1				
23	2 core Cable (9.1m)	UN-00943	1				
24	5 core Armoured Cable (2.6m)	UN-00944	1				
25	18 core Armoured Cable (4.23m)	UN-00945	1				
26	18 core Armoured Cable (2.63m)	UN-00946	1				
27	2 core Cable (0.3m)	UN-00947	1				
28	2 core Cable ()	UN-00948	1				
29	8 Way Junction Box - Mount Plate	UN-10295	1				
30	Main Connection Box - Mount Plate	UN-11008	1				
31	Cable Tie In - (Star Machine only)	UN-11048	4				
32	Toggle Switch - DPDT (M - Off - M)	UN-00903	1				
33	Lighting Loom (complete)	UN-00231	1				
34	Main Wiring Loom (complete)	UN-00232	1				

A/R = As Required NI = Not Illustrated N/A = Not Applicable

14.1A



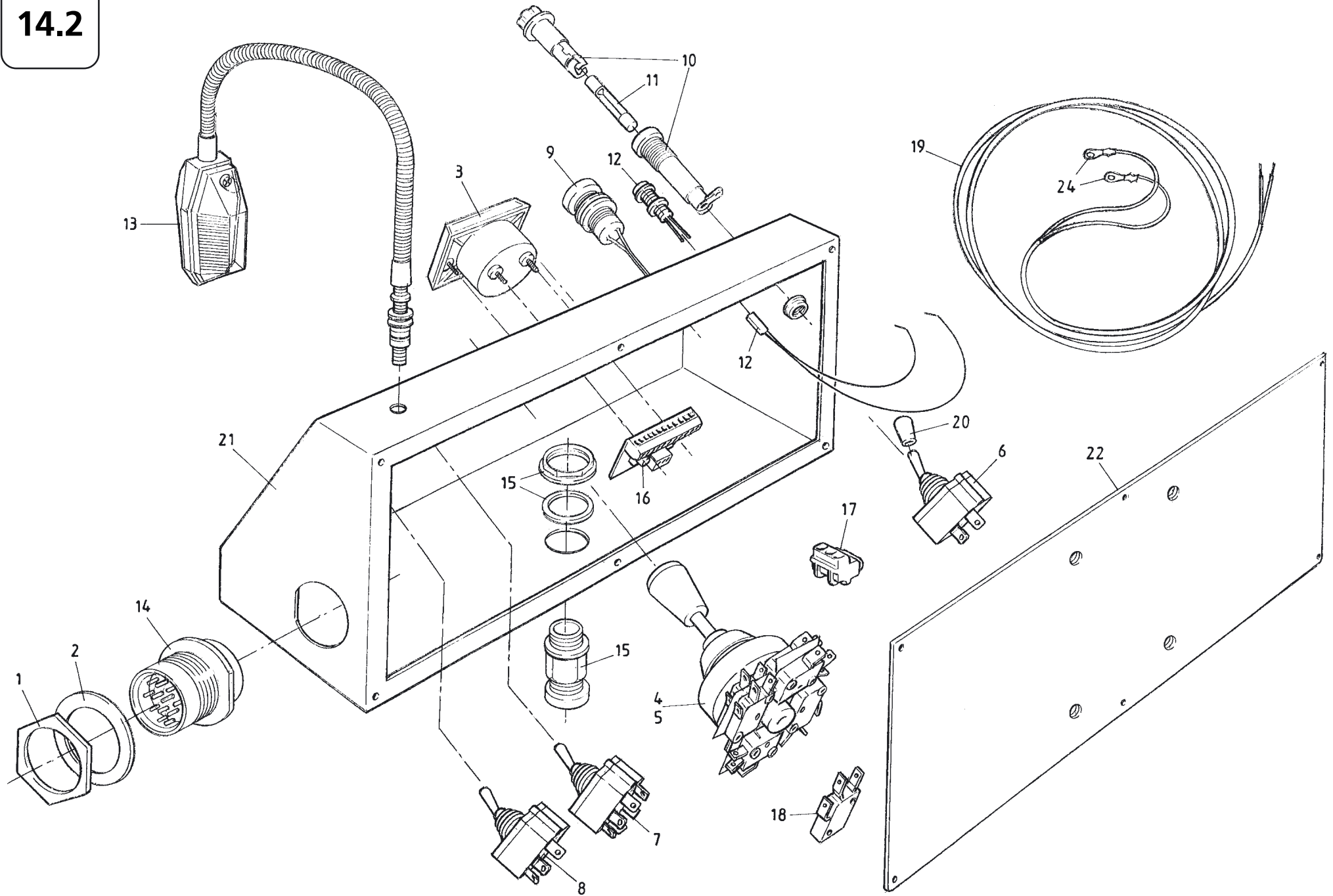
Assembly Group 14.1A - Electrical Wiring Loom (2005 onwards)

Item	Description	Part No.	Qty.
1	Limit Switch	UN-00457	1
2	Depth Sensor c/w Cable	UN-00598	1
3	Rear Combination Light	UN-00641	2
4	Toggle Switch - DPDT (M - Off - M)	UN-00903	1
5	Side Marker Lamp	UN-00918	2
6	Number Plate Lamp	UN-00919	1
7	Rubber Neck Side Light	UN-00920	1
8	Beacon Socket	UN-00921	1
9	8 Way Junction Box	UN-00922	1
10	Spare Bulb for UN-00641 (Stop Lamp)	UN-00928	-
11	Spare Bulb for UN-00641 (Indicator)	UN-00929	-
12	Spare Bulb for Number Plate / Side Marker	UN-00930	-
13	Spare Bulb for UN-00920 Rubber Side Light	UN-00931	-
14	Filter GDM Appliance Connector	UN-00934	1
15	7 core Road Light Cable c/w 12N plug	UN-00936	1
16	12N plug only (7 pole)	UN-00937	1
17	7 core Cable (2.1m)	UN-00938	1
18	7 core Cable (4.1m)	UN-00939	1
19	2 core Cable (5.1m)	UN-00940	1
20	2 core Cable (6.1m)	UN-00942	1
21	2 core Cable (9.1m)	UN-00943	1
22	5 core Armoured Cable (2.6m)	UN-00944	1
23	2 core Cable ()	UN-00948	1
24	Cable Tie In - (Star Machine only)	UN-11048	4
25	Connection Box Support Bracket	UN-11534	1
26	Steering Conduit - 5 metres	UN-01200	1
27	6 way Earth Block	UN-01201	2
28	Canbus Control Box Connector	UN-01202	1
29	6 core Cable - 6.85 metres	UN-01203	1
30	2 core Cable - 7.7 metres c/w Euro Plug	UN-01204	1
31	2 core Cable - 2 metres c/w Euro Socket	UN-01205	1
32	12 core Cable - 1.8 metres	UN-01206	1
33	12 core Cable - 1.3 metres	UN-01207	1
34	Rubber Sleeve - 0.8 metres	UN-01208	1

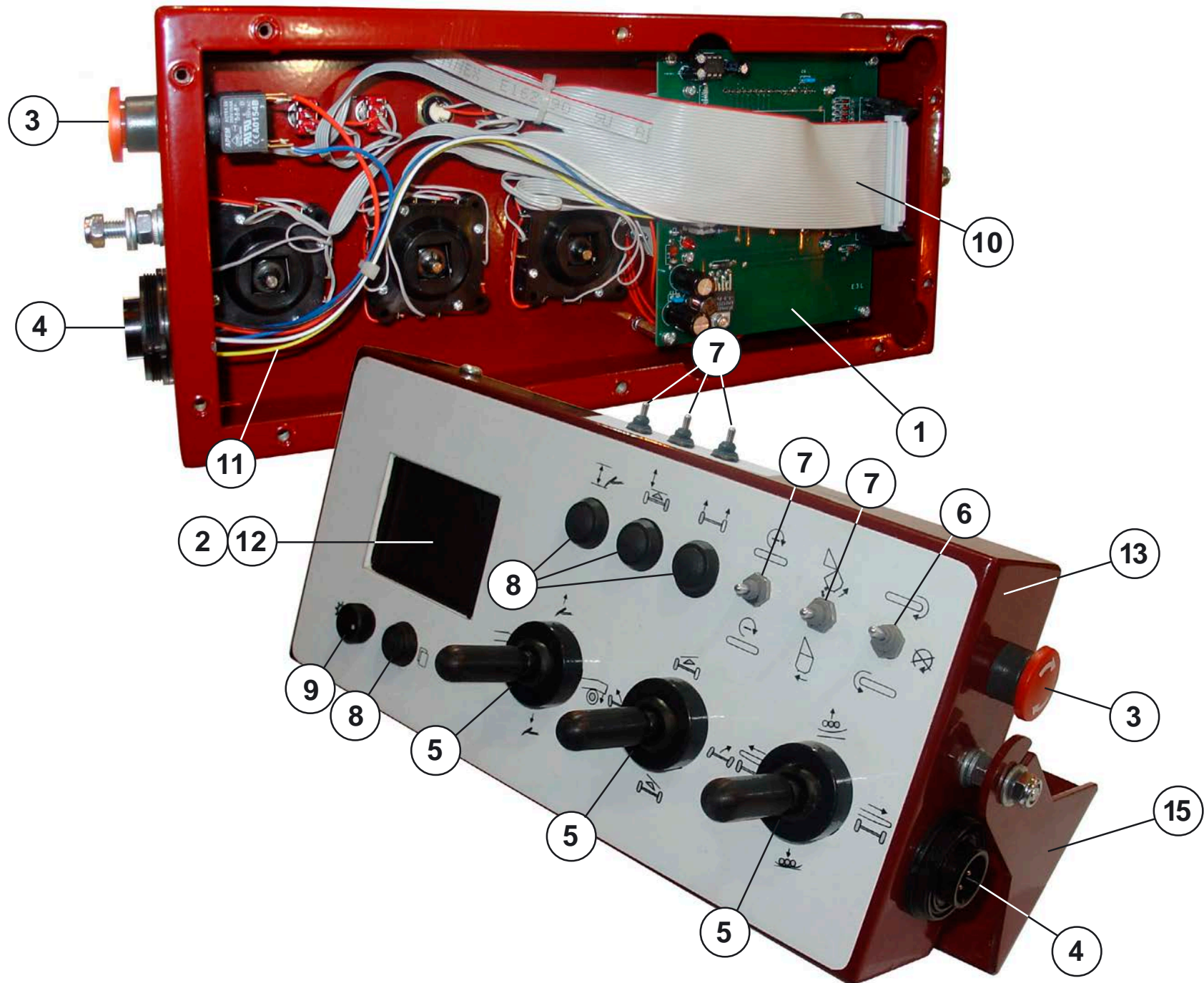
Item	Description	Part No.	Qty.
35	Power Cable 2 core - 5.3 metres	UN-01209	1
36	6 core Data Cable - 5 metres	UN-01210	1
37	Limit Switch Cable	UN-01211	1
38	Lighting Loom (complete)	UN-00231	1
39	Main Wiring Loom (complete)	UN-01032	1

A/R = As Required NI = Not Illustrated N/A = Not Applicable

14.2



14.2A



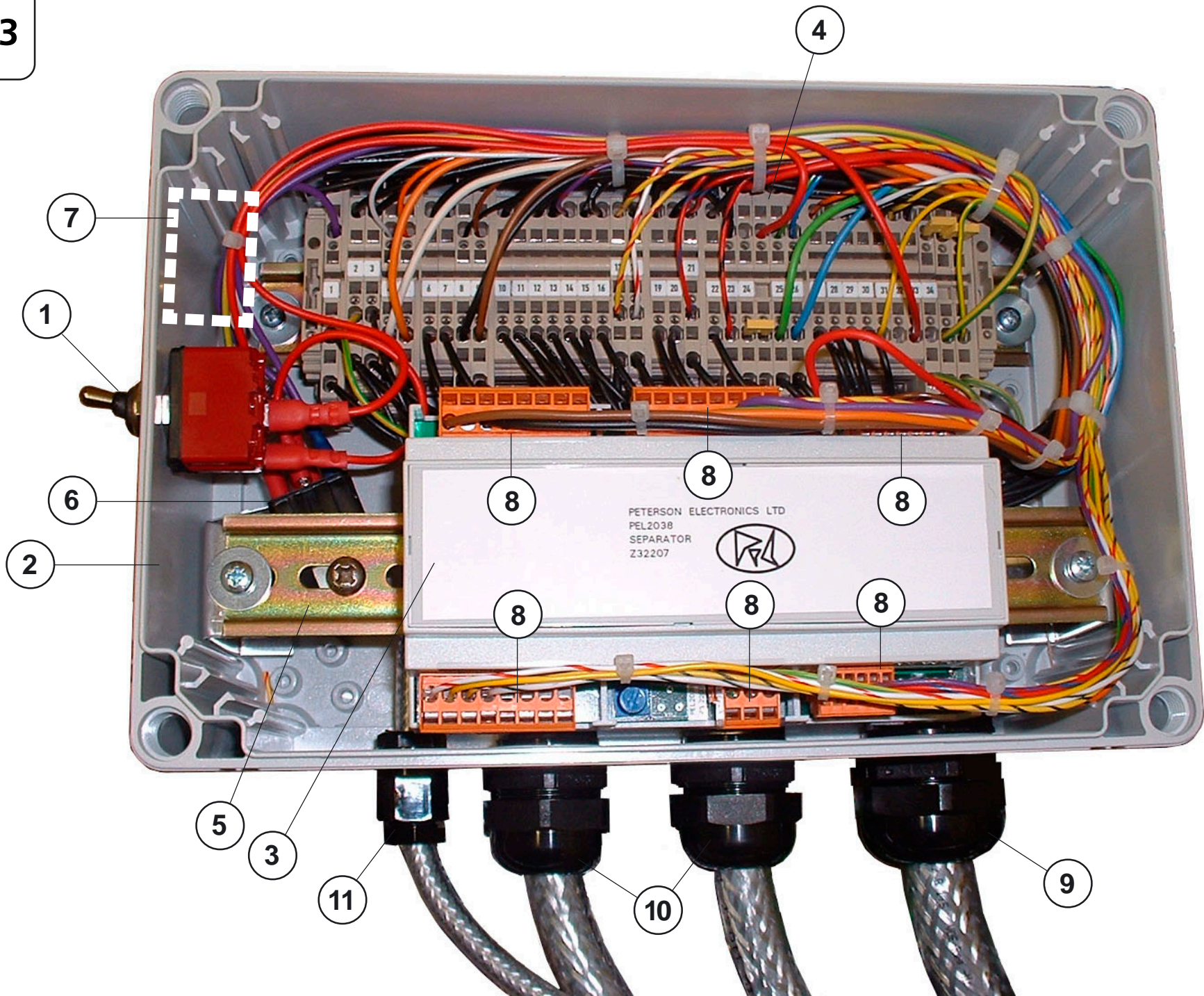
Assembly Group 14.2A - Control Box (2005 onwards)

Item	Description	Part No.	Qty.
1	Printed Circuit Assembly	UN-01212	1
2	LCD Assembly	UN-01213	1
3	Stop Switch	UN-01214	1
4	Chassis Plug	UN-01215	1
5	Joystick	UN-01216	3
6	Switch On-Off-On	UN-01217	1
7	Switch Momentary-Off-Momentary	UN-01218	2*
8	Pushbutton Switch	UN-01219	4
9	Knobpot (Yr. 2005)	UN-01220	1
10	Ribbon Cable	UN-01221	1
11	Power & Data Wiring with PCB Connector	UN-01222	1
12	Acrylic Window	UN-01223	1
13	Control Box Front	UN-11540	1
14	Control Box Backplate (NI)	UN-11544	1
15	Mount Bracket	UN-11545	1
16	Control Box (complete)	UN-01428	1
	*Qty = 5 on Diablo machines (2009 onwards)		

Item	Description	Part No.	Qty.

A/R = As Required NI = Not Illustrated N/A = Not Applicable

14.3



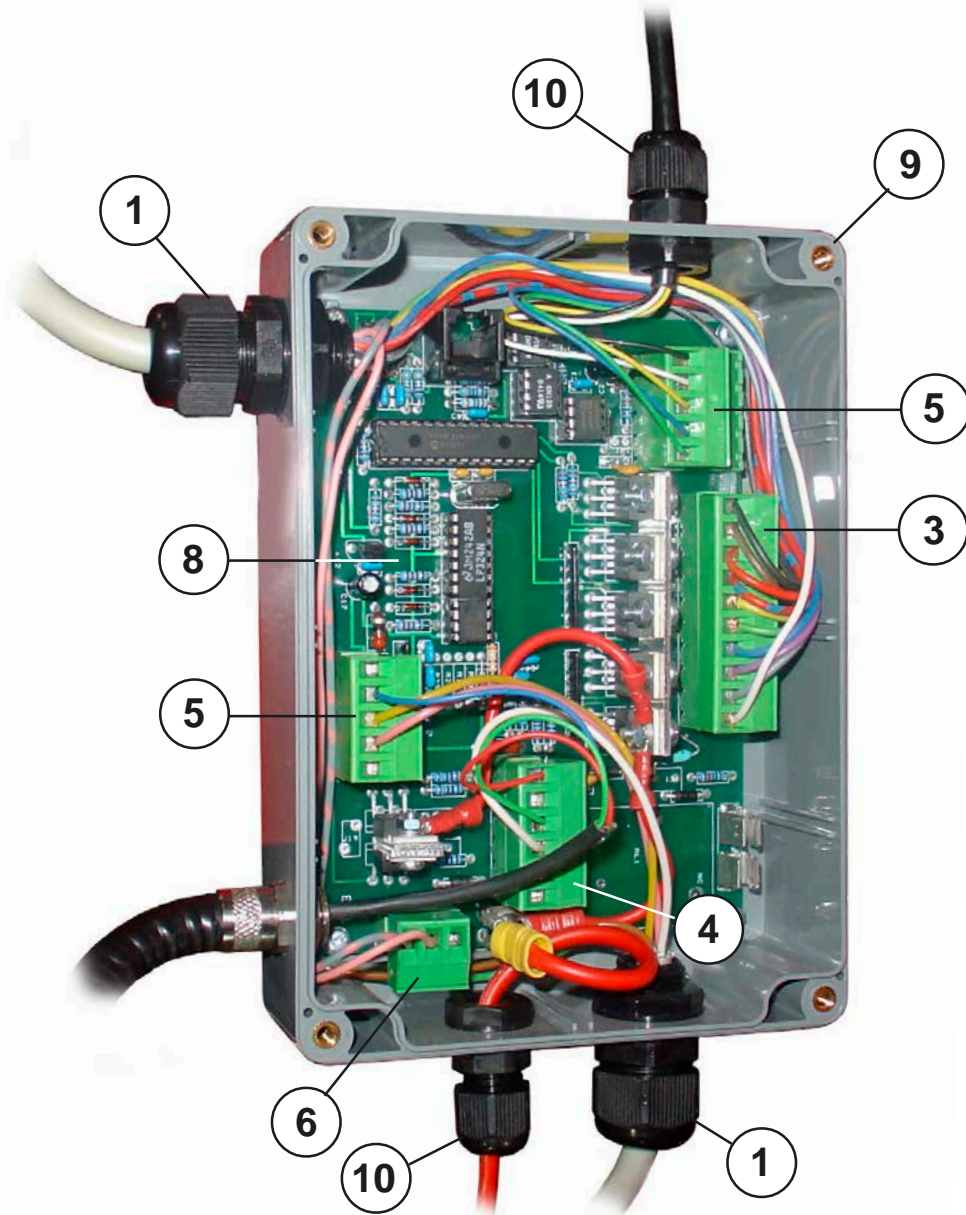
Assembly Group 14.3 - Main Connection Box (Yr. 2004)

Item	Description	Part No.	Qty.
1	Toggle Switch - SPST (On - Off)	UN-00902	1
2	Main Connection Box (Shell) c/w Lid and Seal	UN-00949	1
3	Electronic Module	UN-00950	1
4	Connector Block with Din Rail	UN-00951	1
5	Din Rail for Electronic Module c/w Stand-off Brackets	UN-00952	1
6	12V Relay (Load Sensing)	UN-00953	1
7	Auto Level Control Box (Optional) (NI)	UN-00954	1
8	Module Connector Kit c/w Tails	UN-00955	1
9	M32 Cable Gland	UN-00956	1
10	M25 Cable Gland	UN-00957	2
11	M16 Cable Gland	UN-00958	1

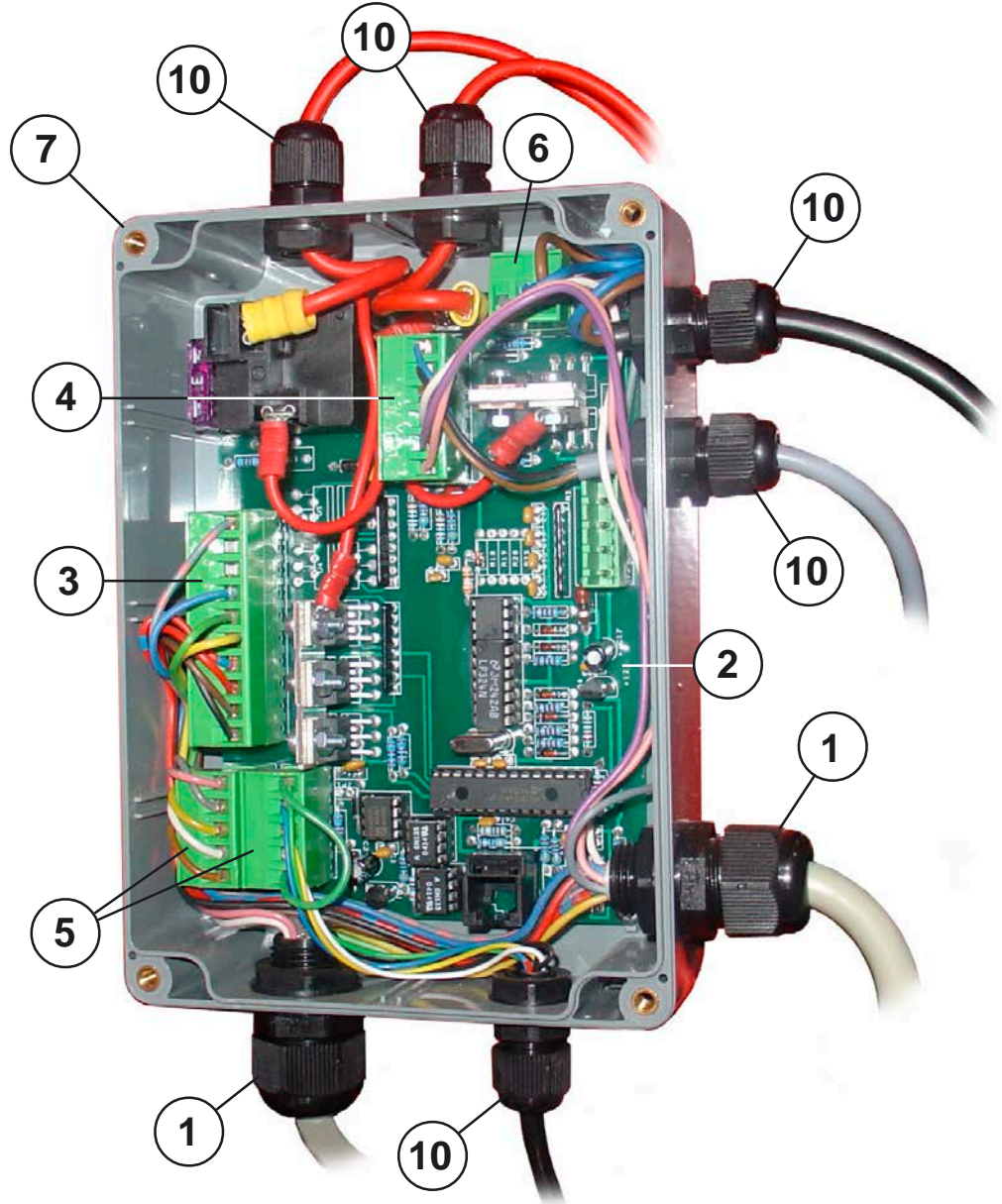
Item	Description	Part No.	Qty.

14.3A

Rear Connection Box

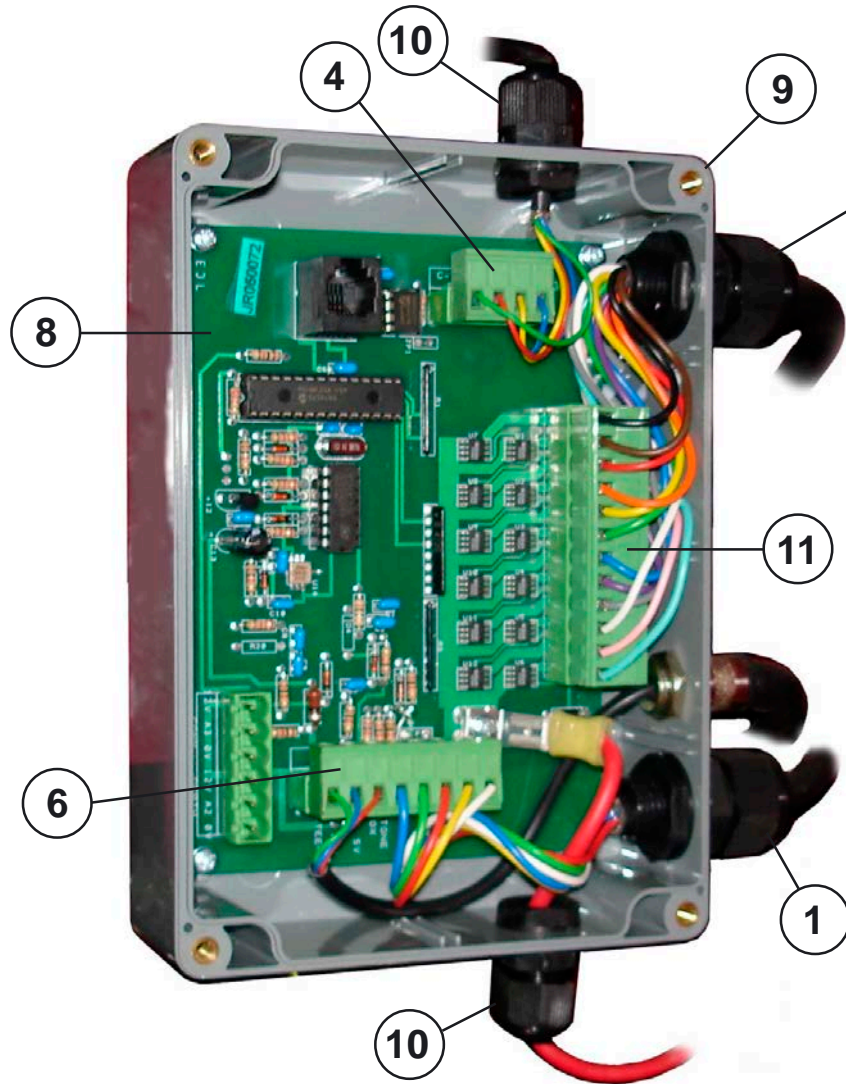


Front Connection Box

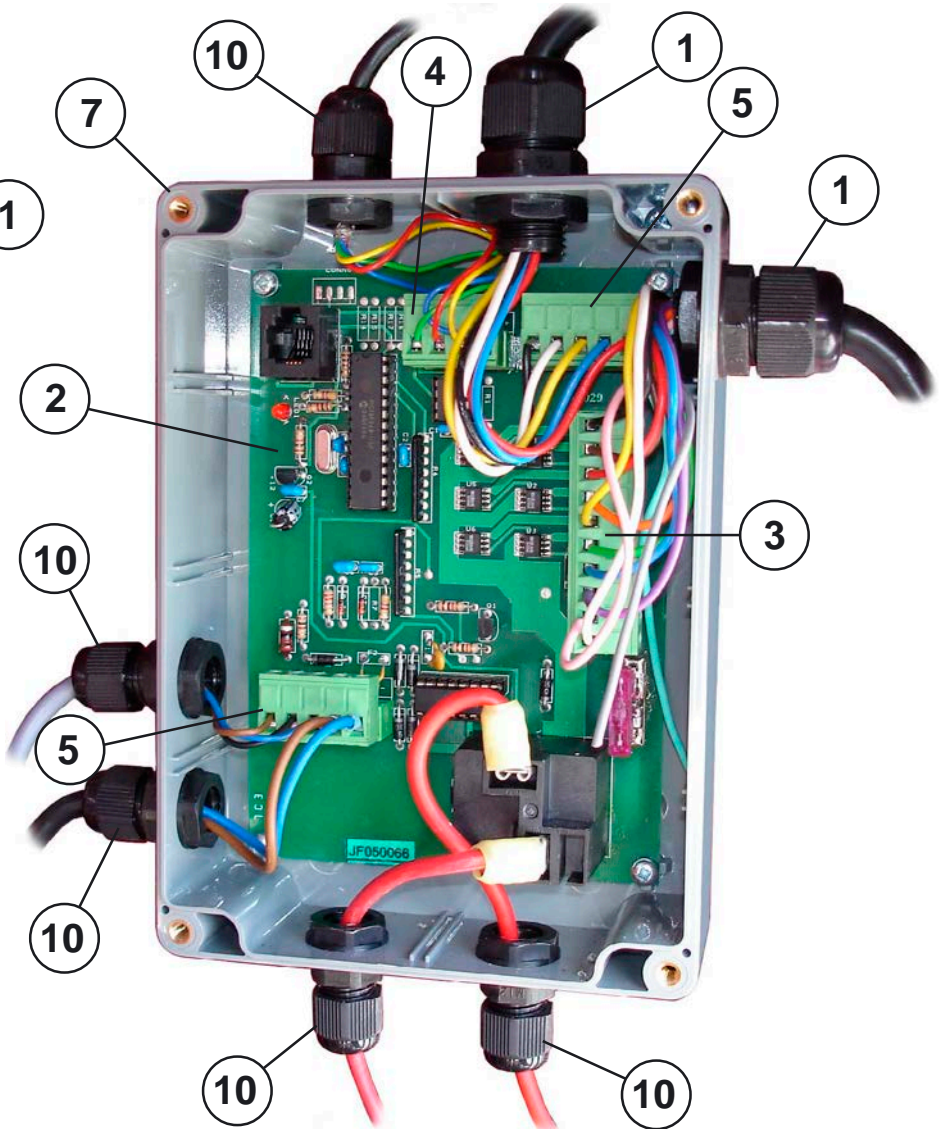


14.3B

Rear Connection Box



Front Connection Box



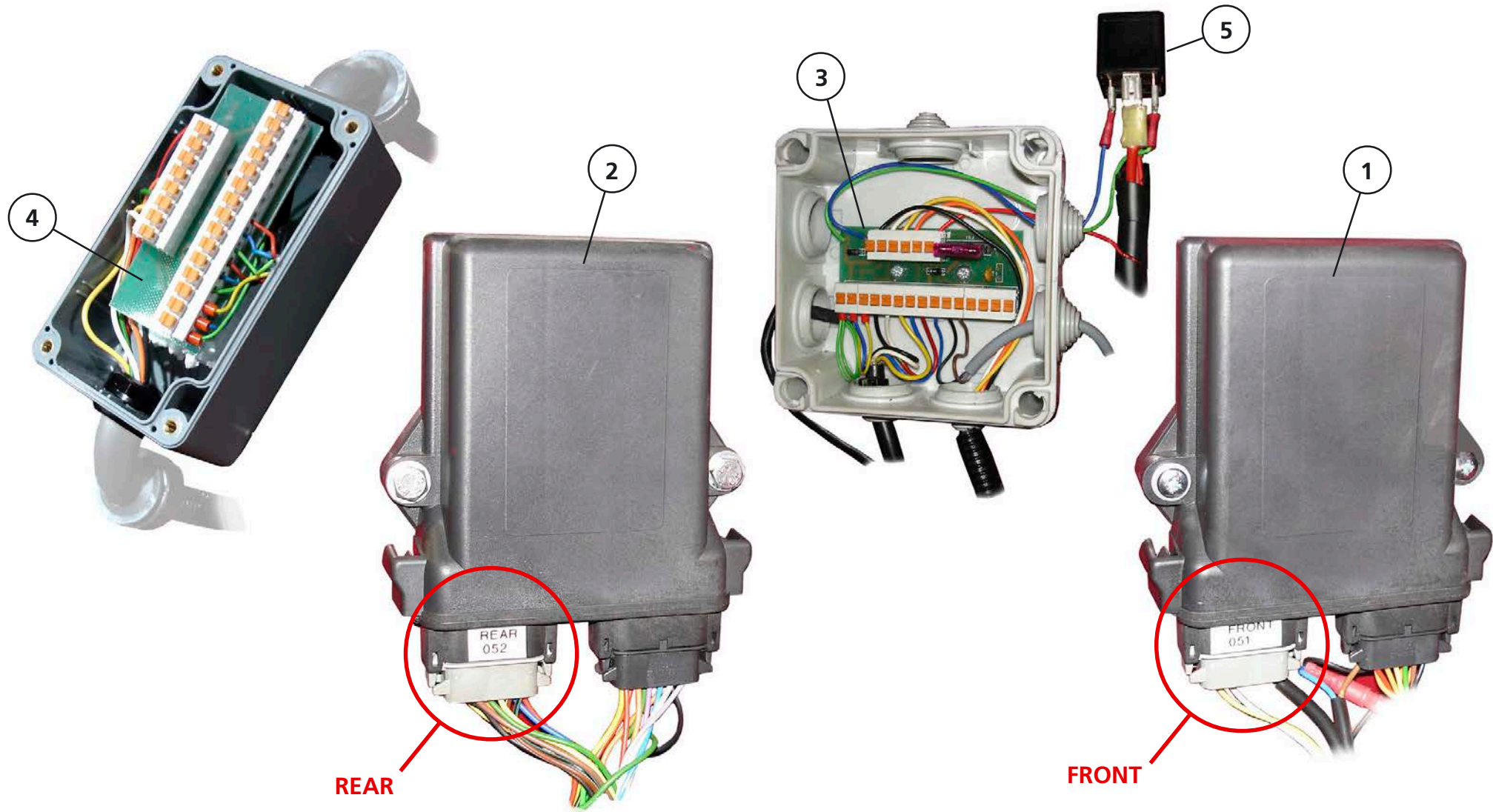
Assembly Group 14.3B - Connection Boxes (Yr. 2006 - 2008)

Item	Description	Part No.	Qty.
1	M16 Cable Gland	UN-00958	4
2	PCB Assembly - Front Connection Box	UN-01607	1
3	10 Way Socket	UN-01225	1
4	4 Way Socket	UN-01608	2
5	5 Way Socket	UN-01227	2
6	8 Way Socket	UN-01609	1
7	Front Enclosure (only)	UN-01229	1
8	PCB Assembly - Rear Connection Box	UN-01610	1
9	Rear Enclosure (only)	UN-01231	1
10	12mm Cable Gland	UN-01232	7
11	12 Way Socket	UN-01611	1

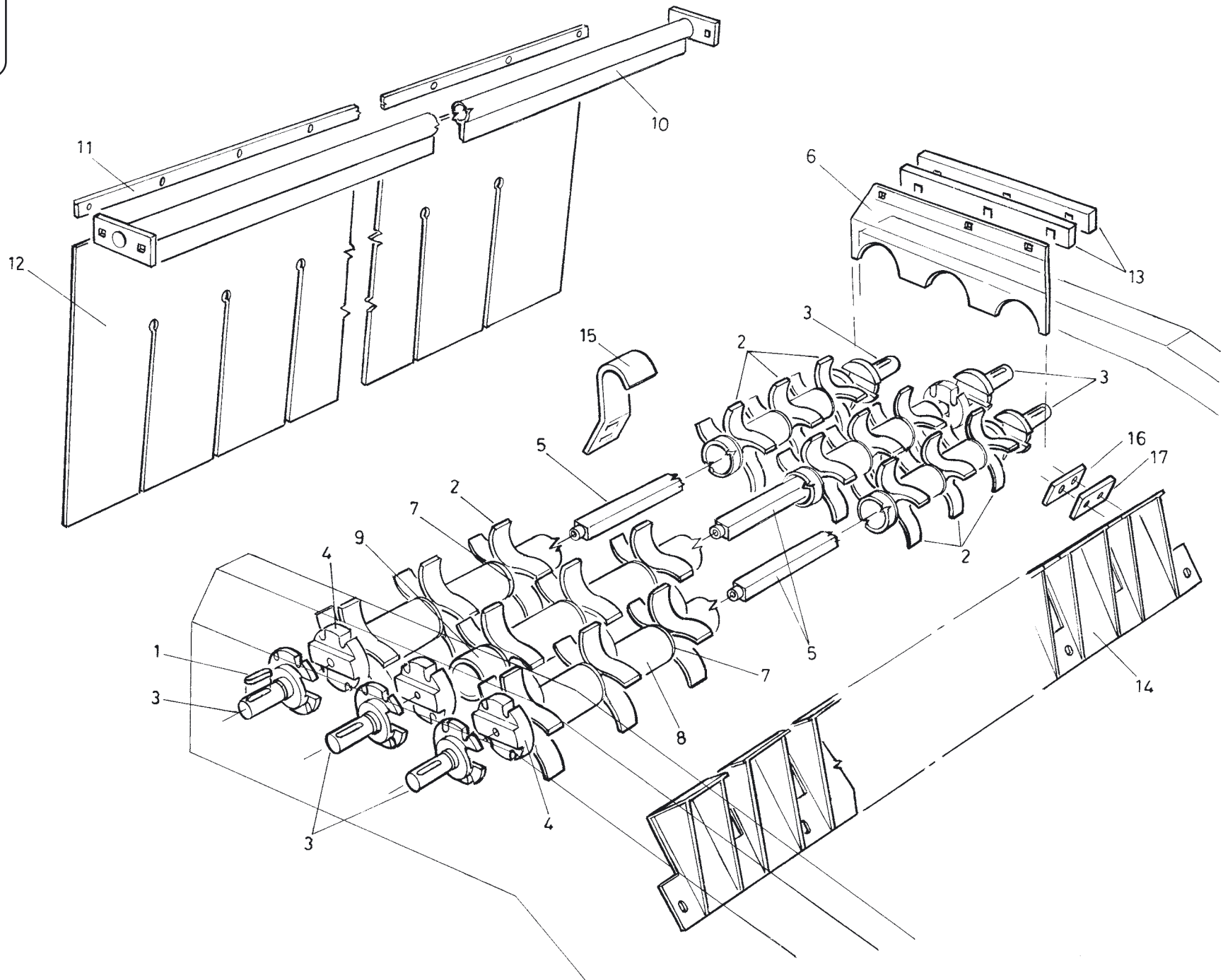
Item	Description	Part No.	Qty.

A/R = As Required NI = Not Illustrated N/A = Not Applicable

14.3C



15.1

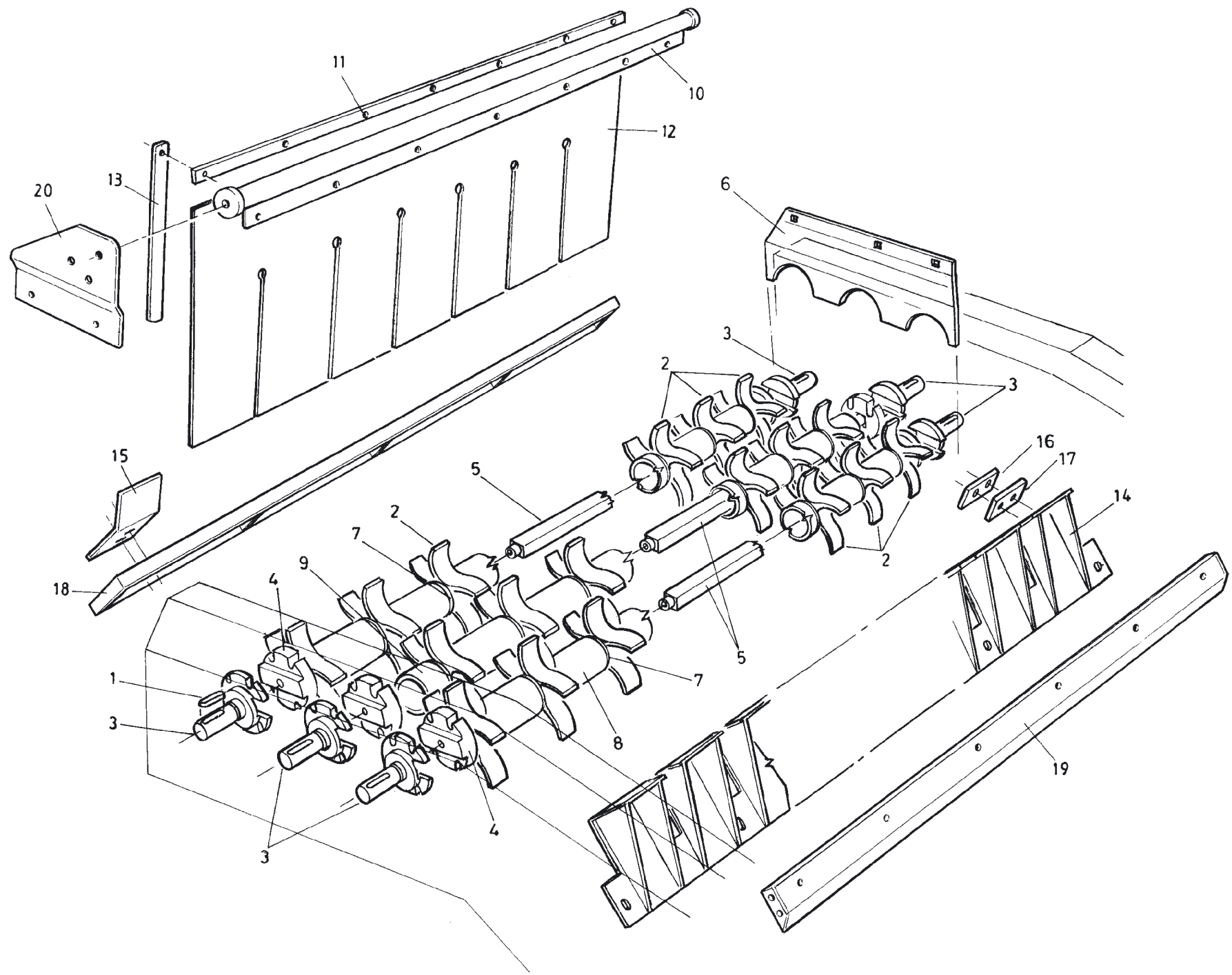


Assembly Group 15.1 - Rear Star Unit (Yr. 2004)

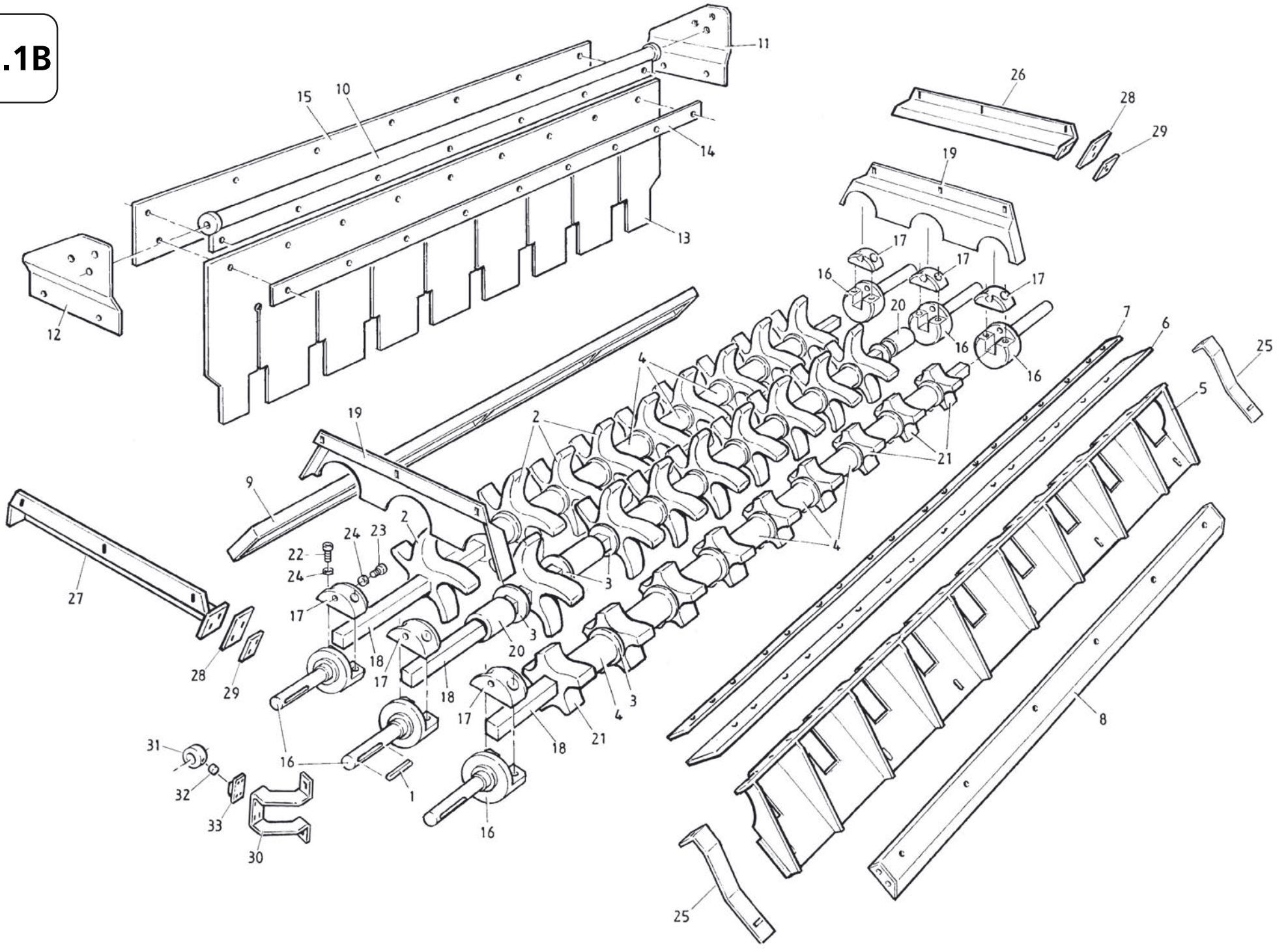
Item	Description	Part No.	Qty.
1	Key 10 x 8 x 75	UN-00057	6
2	Rear Star	UN-10837	26 / 29
3	Stub Shaft	UN-10847	6
4	End Flange	UN-10848	6
5	Rear Star Shaft (Narrow Machines)	UN-10850	3
5	Rear Star Shaft (Wide Machines)	UN-10851	3
6	Deflector Plate	UN-10861	2
7	Spacer Washer	UN-10862	48 / 54
8	Long Spacer	UN-10863	23 / 26
9	Short Spacer (Narrow Machines)	UN-10865	2
9	Short Spacer (Wide Machines)	UN-10864	2
10	Curtain Hanger (Narrow Machines)	UN-10868	1
10	Curtain Hanger (Wide Machines)	UN-10874	1
11	Curtain Clamp (Narrow Machines)	UN-10872	1
11	Curtain Clamp (Wide Machines)	UN-10877	1
12	Curtain (Narrow Machines)	UN-10873	1
12	Curtain (Wide Machines)	UN-10878	1
13	Packer Plate	UN-10879	4
14	Deflector (Narrow Machines)	UN-11095	1
14	Deflector (Wide Machines)	UN-11100	1
15	Star Deflector	UN-10835	8 / 9
16	Rubber Insert	UN-11103	8 / 9
17	Clamp Plate	UN-11104	8 / 9

Item	Description	Part No.	Qty.

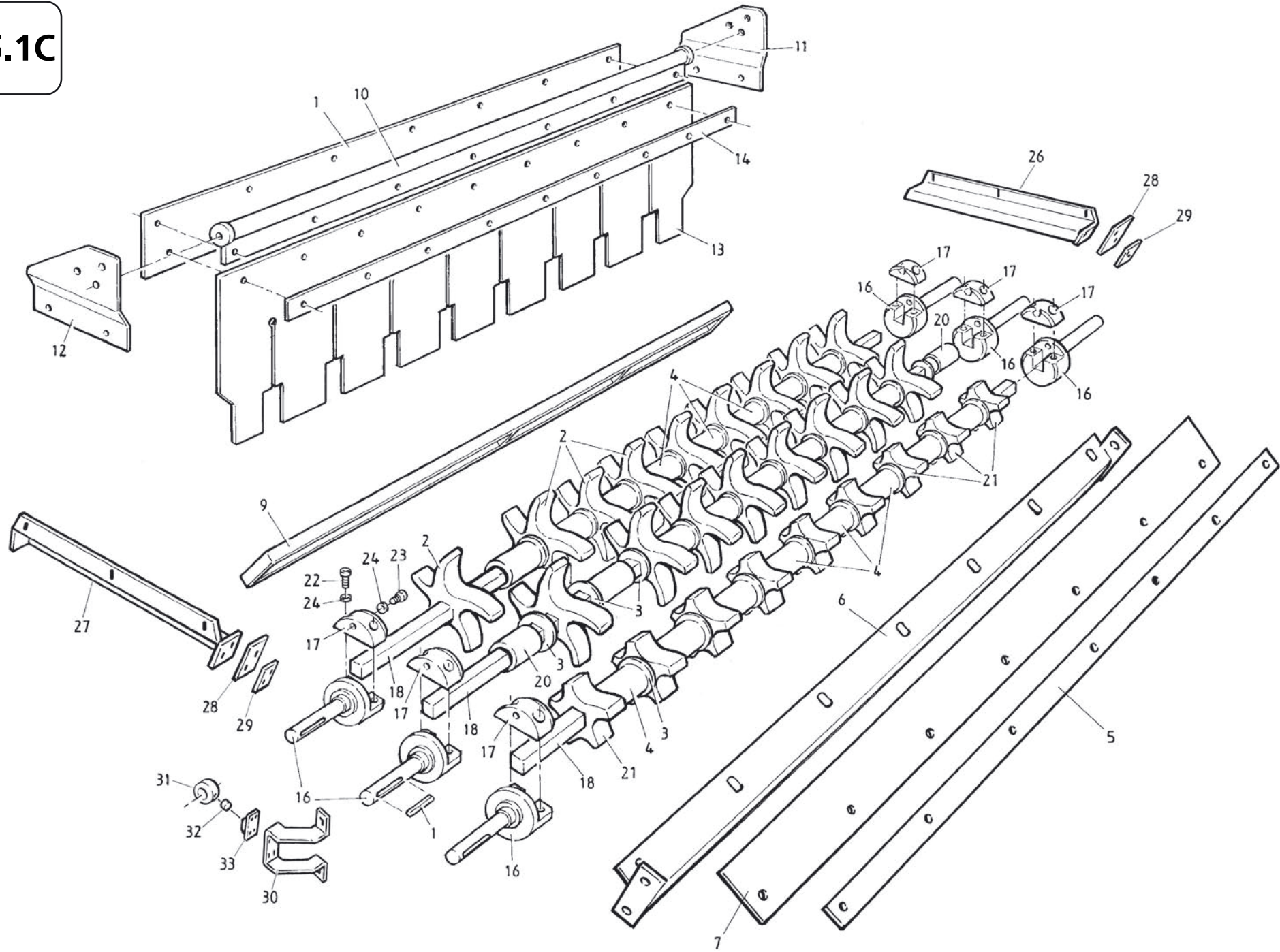
15.1A



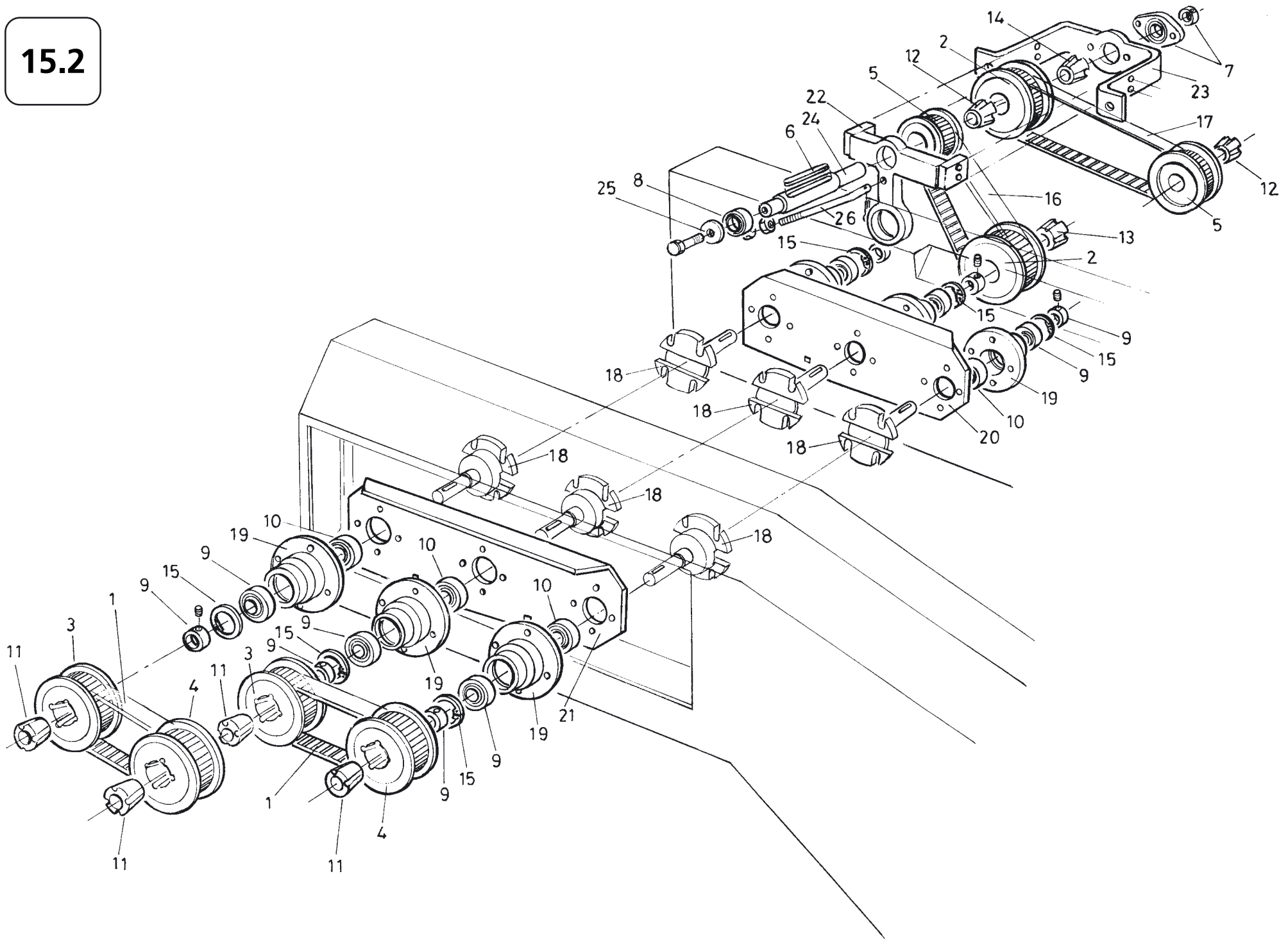
15.1B



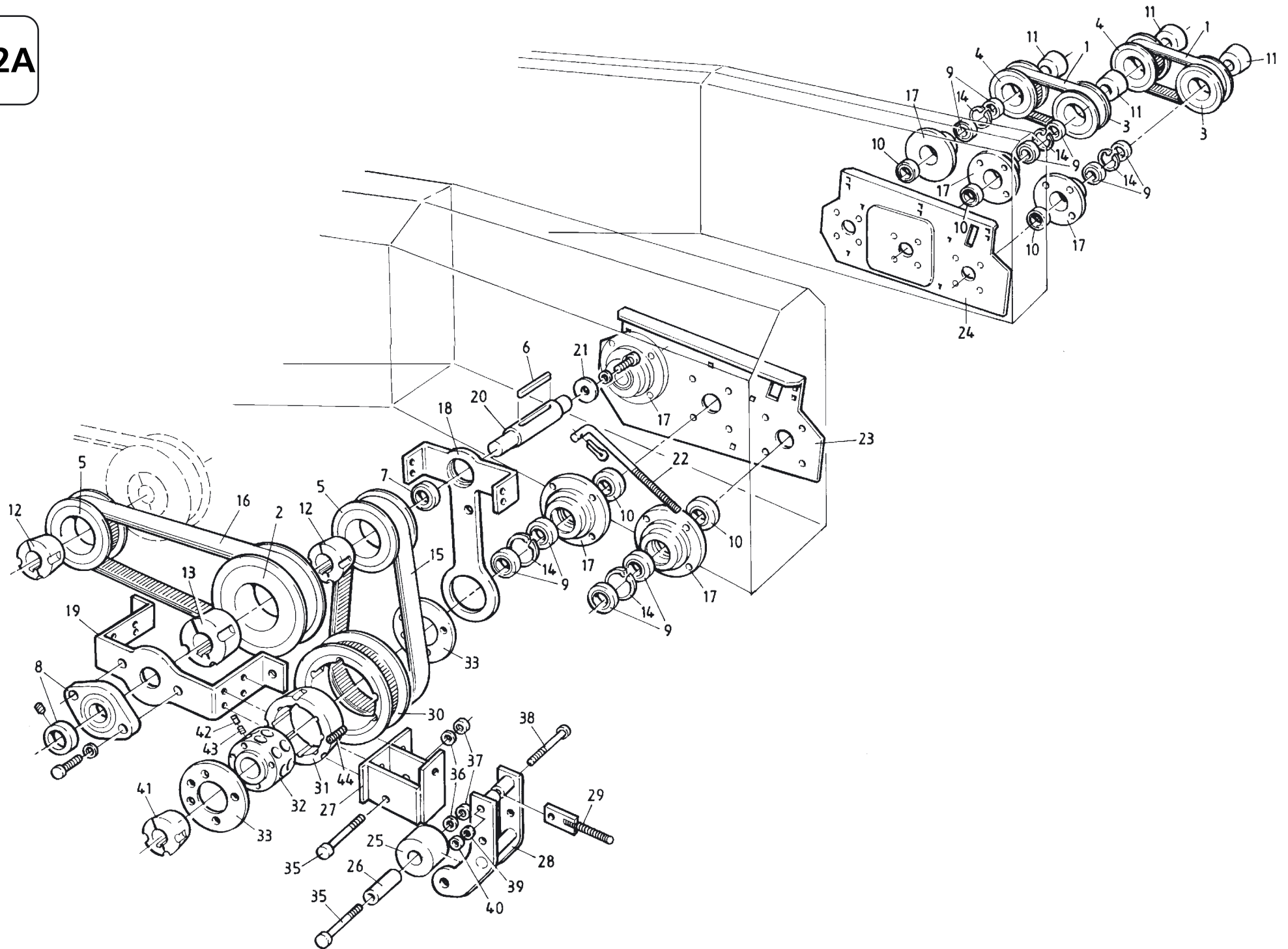
15.1C



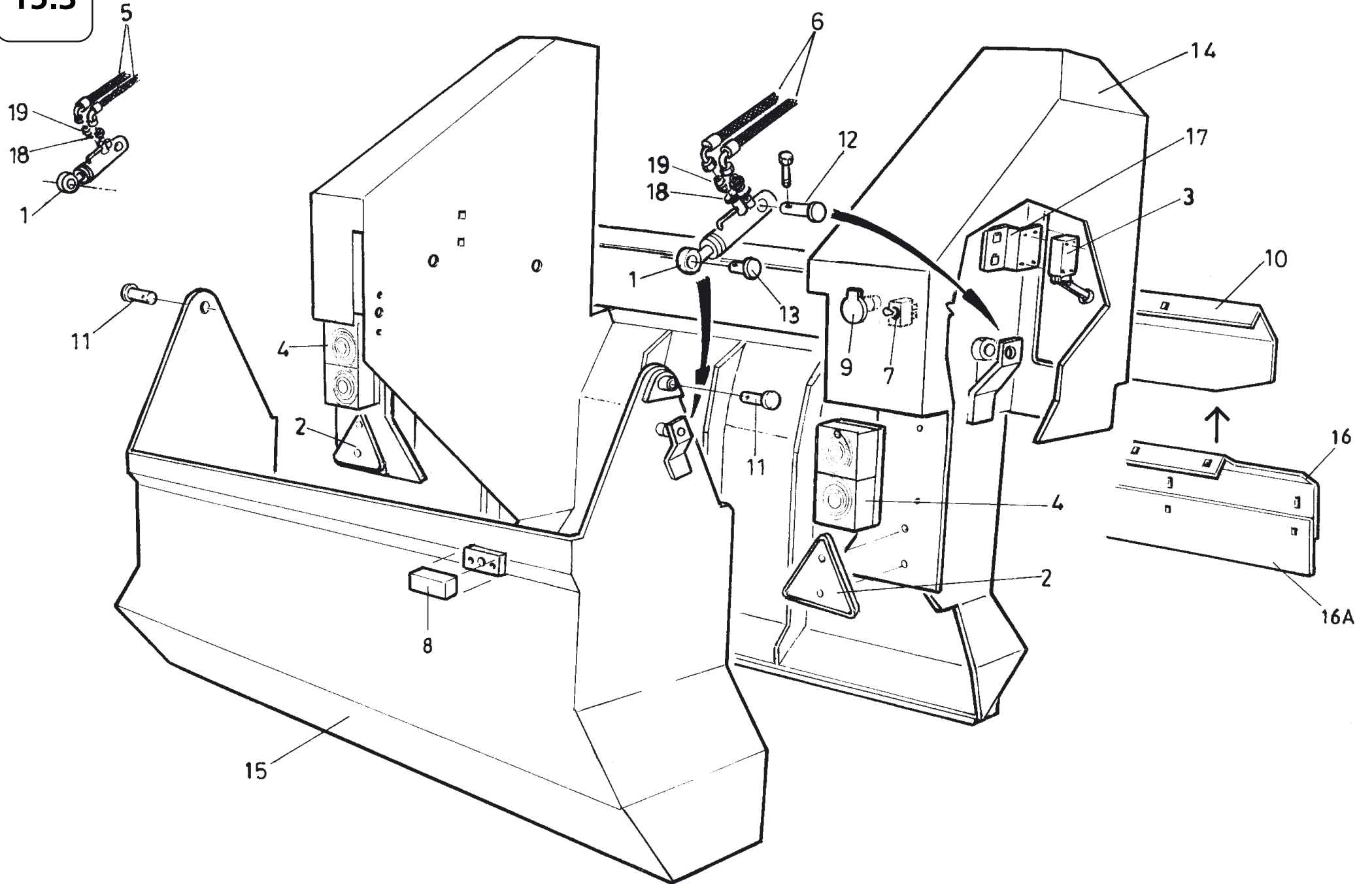
15.2



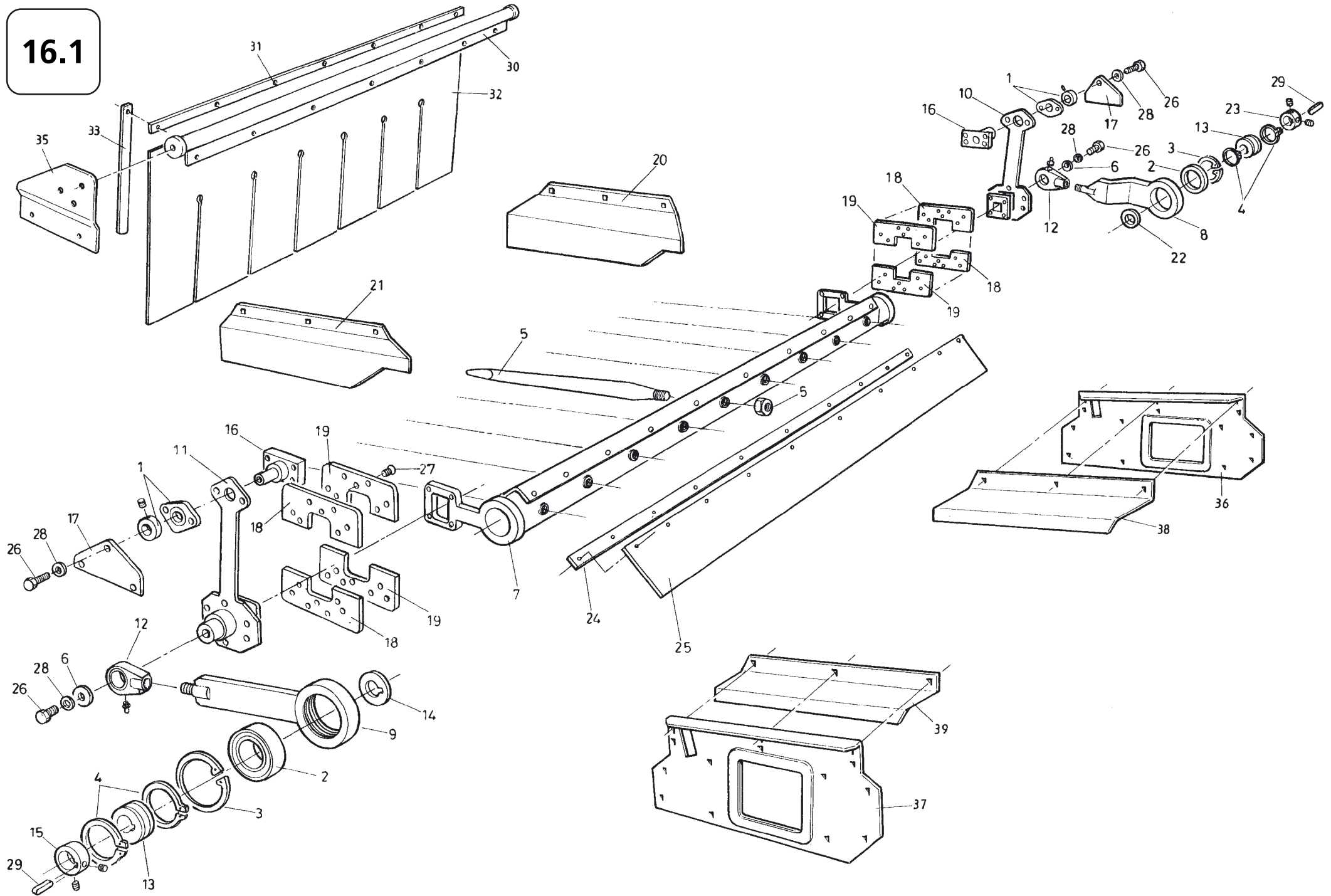
15.2A



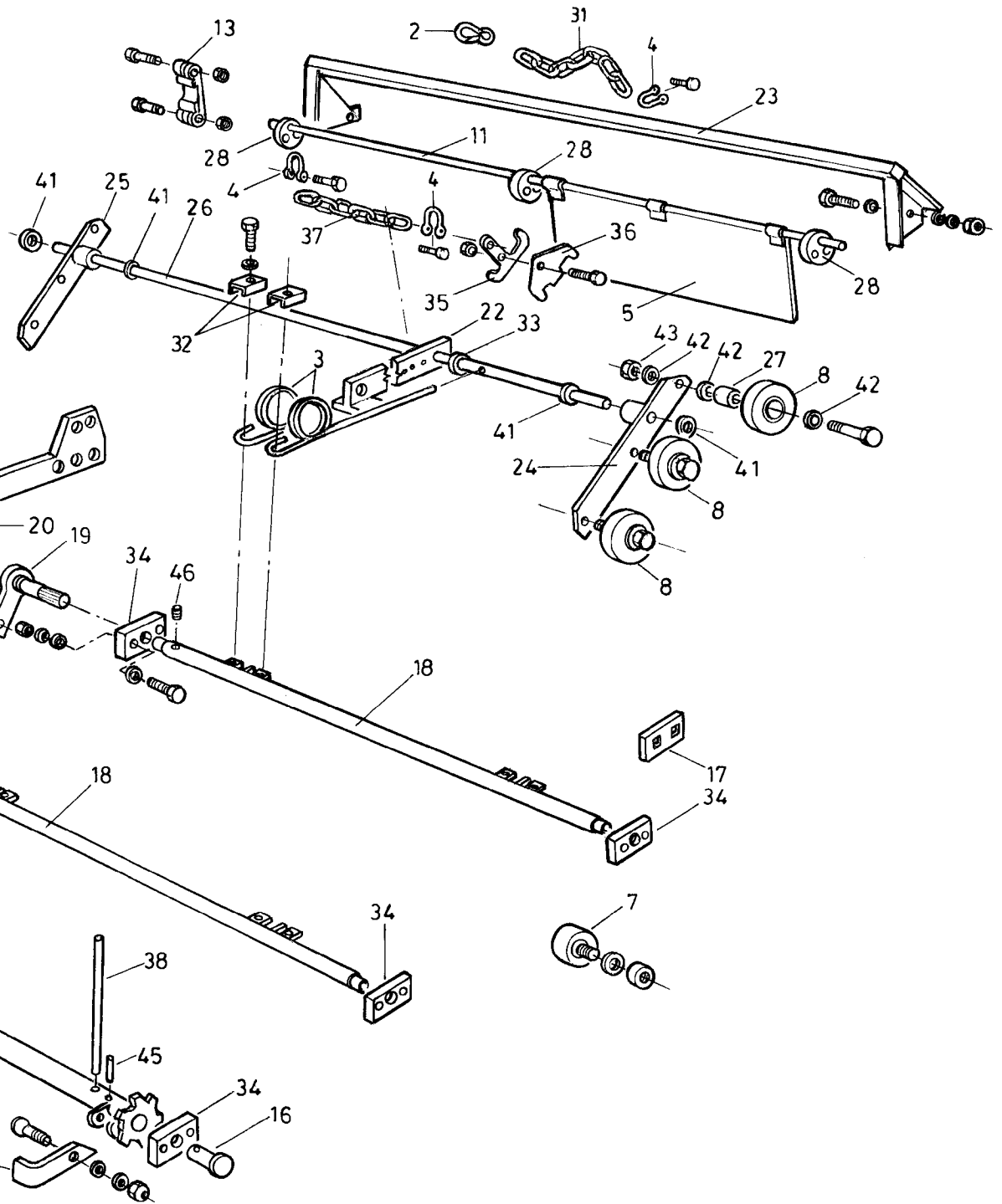
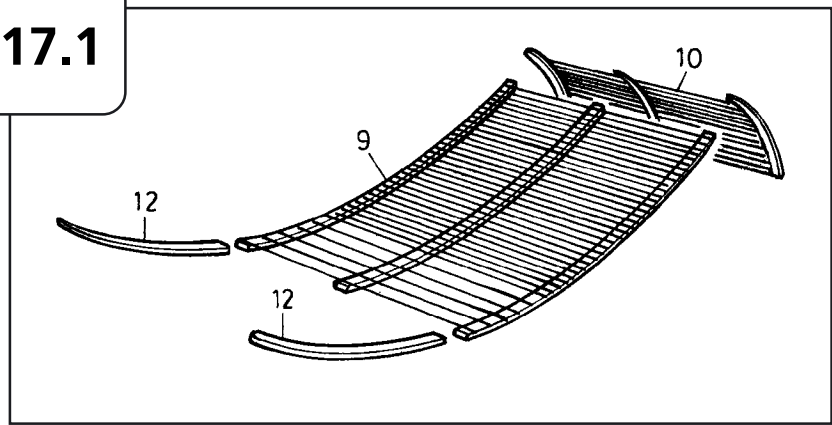
15.3



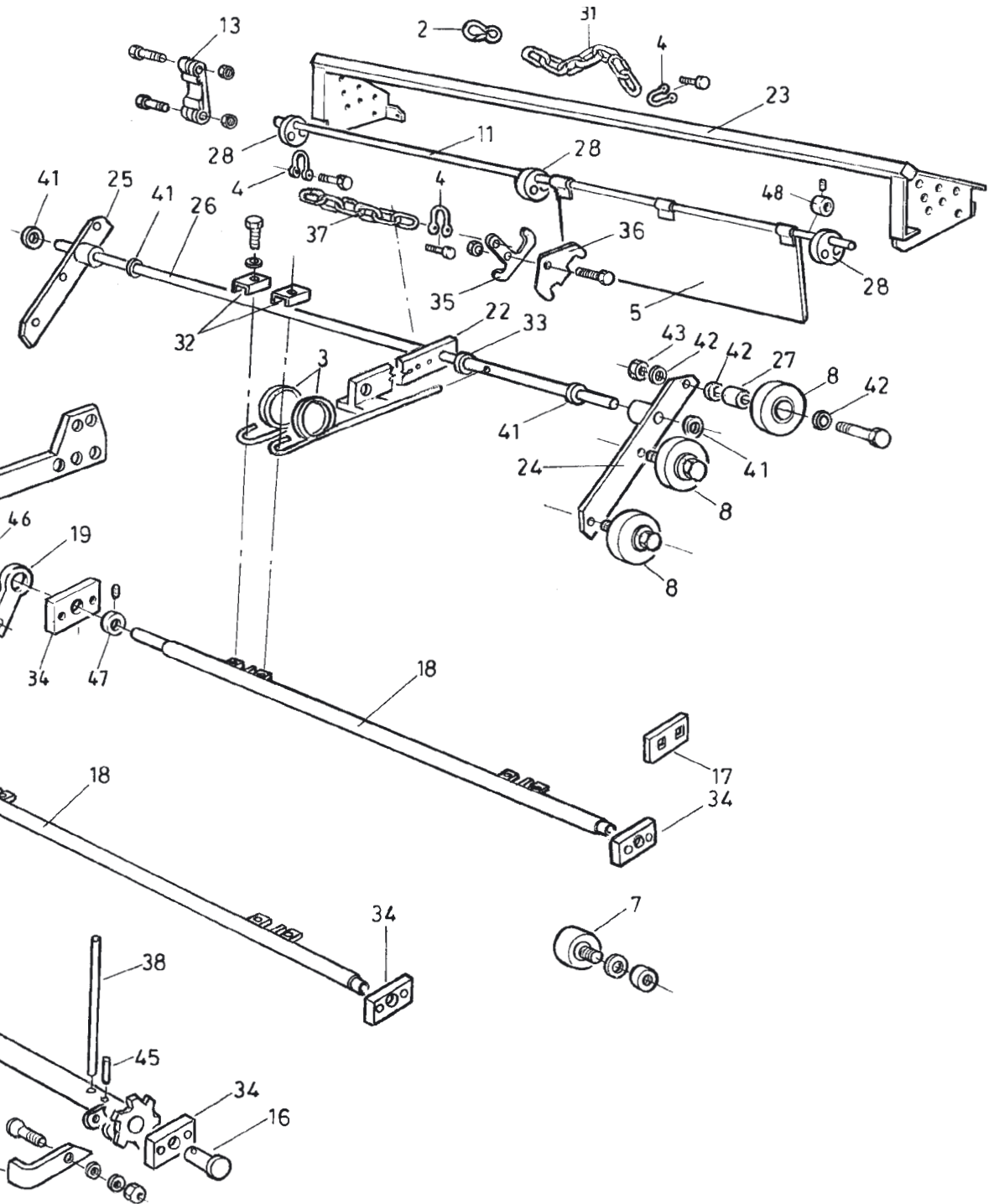
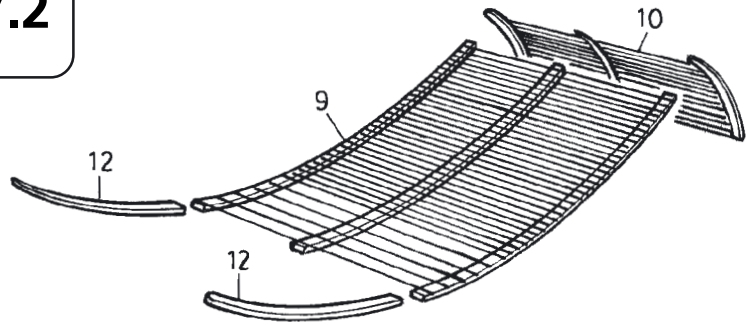
16.1



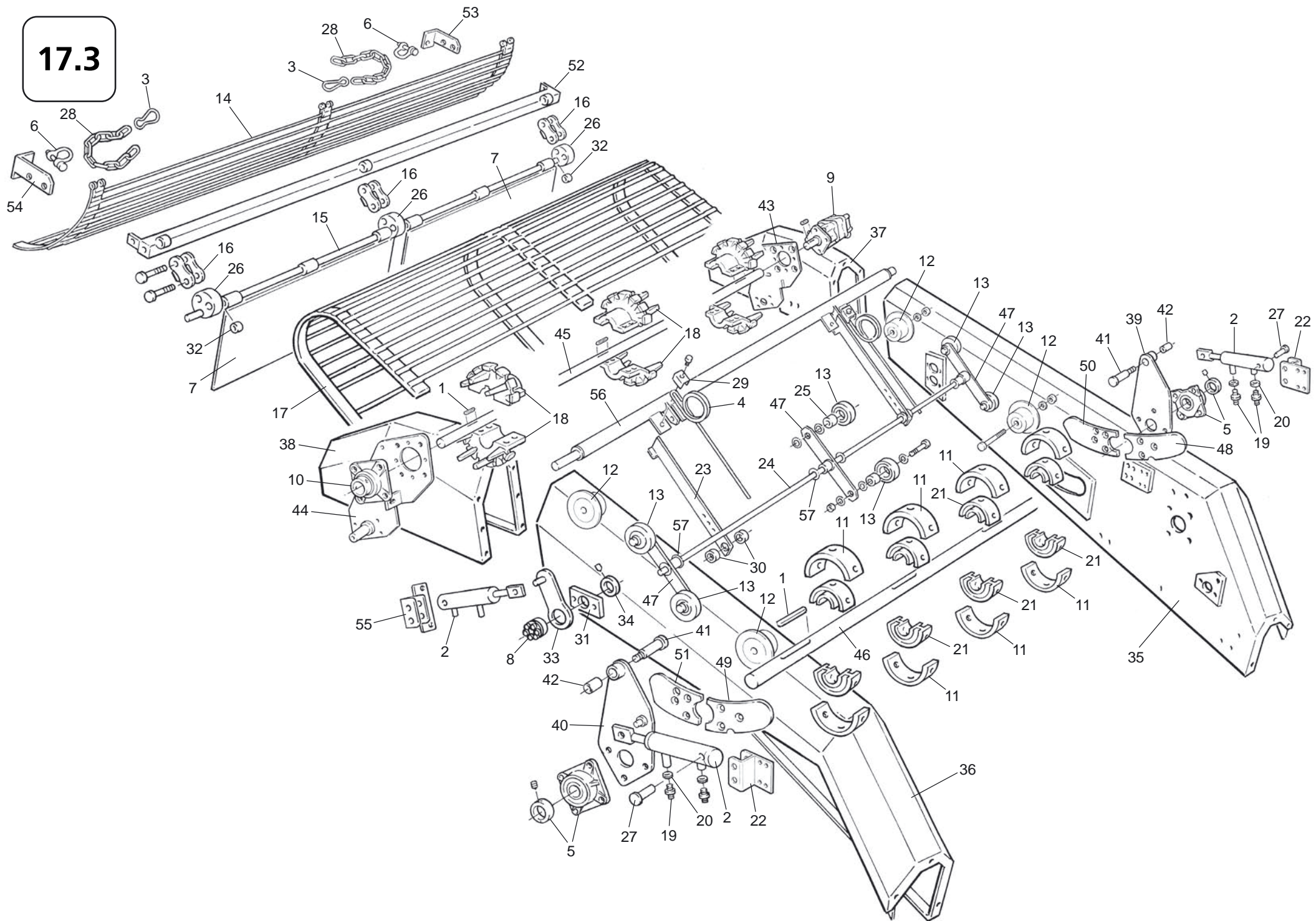
17.1



17.2



17.3

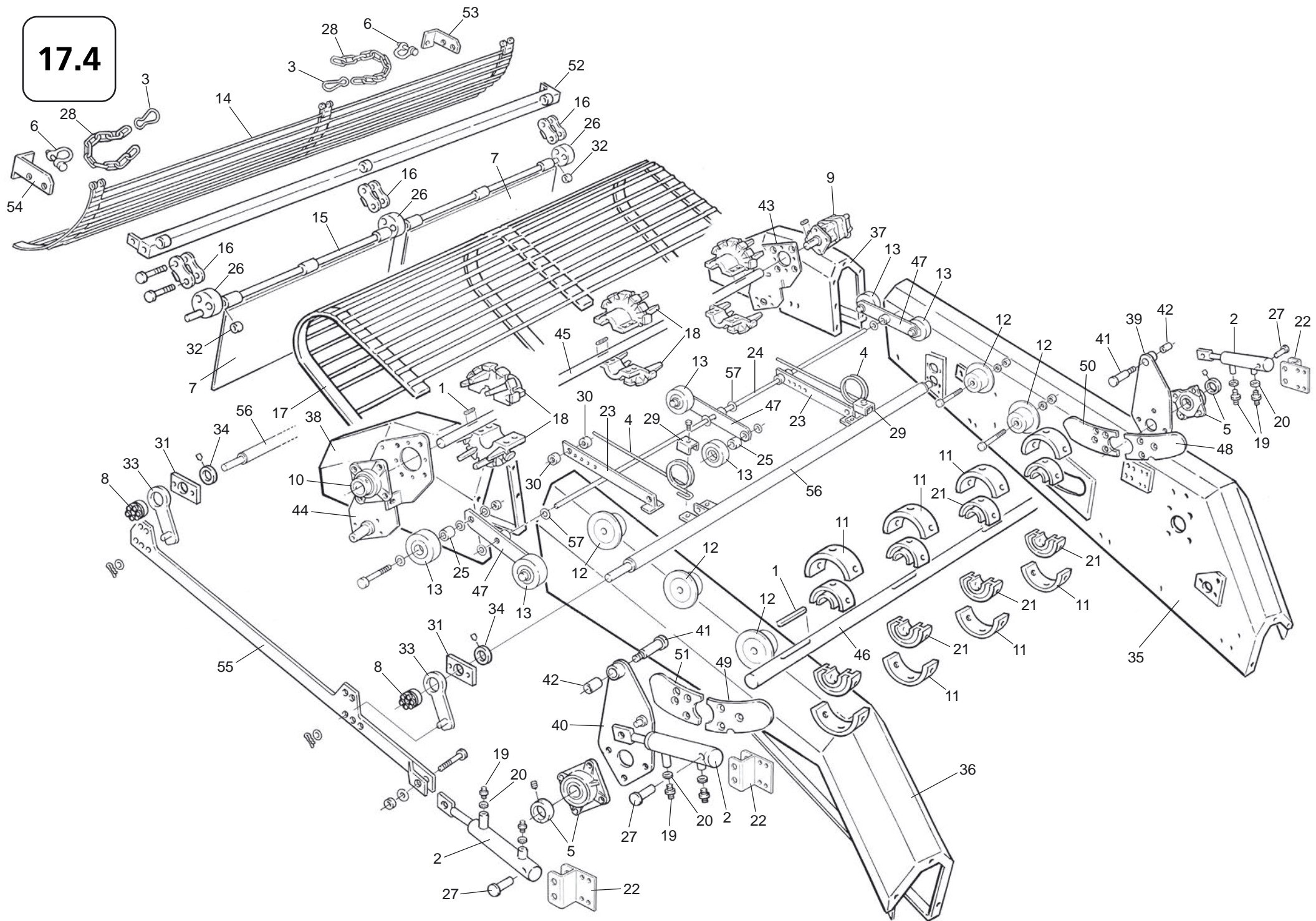


Assembly Group 17.3 - Driven Scrubber Web (Multiweb machines)

Item	Description	Part No.	Qty.
1	Key (14 x 9 x 90 2 Round Ends)	UN-00042	7
2	Pressure Roller Ram	UN-00121	3
2A	Pressure Roller Ram Seal Kit	UN-00122	
3	Spring Hook	UN-00200	2
4	Pressurising Spring	UN-00218	2
5	4 Hole Bearing with locking collar	UN-00234	2
6	D-Shackle	UN-00588	2
7	Rubber Curtain (Narrow Machines)	UN-00594	2
7	Rubber Curtain (Wide Machines)	UN-00596	2
8	Tollok Bush	UN-00890	1
9	Hydraulic Motor	UN-01038	1
10	4 Hole Bearing with grub screws	UN-01919	1
11	Drive Shoe	UN-02974	8
12	Flanged Rubber Roller	UN-03030	6
13	Plain Rubber Covered Roller	UN-03037	6
14	43mm 3 Belt Web (Narrow Machines)	UN-03202	1
14	43mm 3 Belt Web (Wide Machines)	UN-03203	1
15	Web Rod (Narrow Machines)	UN-03594	1
15	Web Rod (Wide Machines)	UN-03595	1
16	50mm Joining Clip	UN-03627	3
17	Driven Scrubber Web (Narrow Machines)	UN-04122	1
17	Driven Scrubber Web (Wide Machines)	UN-04123	1
18	45mm Web Sprocket with Fingers	UN-04124	3
19	¼" BSP M x ¼" BSP M Adapter	UN-05000	6
20	¼" BSP Dowty Washer	UN-05100	6
21	Drive Shoe Hub	UN-08125	4
22	Ram Bracket	UN-10408	2
23	Stop Arm	UN-10411	2
24	Link Shaft (Narrow Machines)	UN-10720	1
24	Link Shaft (Wide Machines)	UN-10721	1
25	Bearing Centre	UN-10722	6
26	Tri-hole Boss	UN-10723	3
27	Ram Pin	UN-10724	3
28	Support Chain	UN-10726	2

Item	Description	Part No.	Qty.
29	Spring Clamp	UN-10727	2
30	Locking Collar	UN-10728	4
31	Pivot Block	UN-10729	2
32	Fixing Collar	UN-10733	4
33	Adjuster Lever	UN-11503	1
34	Locking Collar	UN-11535	1
35	Middle Guard (Left Hand)	UN-12712	1
36	Middle Guard (Right Hand)	UN-12720	1
37	Rear Guard (Left Hand)	UN-12723	1
38	Rear Guard (Right Hand)	UN-12727	1
39	Front Mount (Left Hand)	UN-12730	1
40	Front Mount (Right Hand)	UN-12735	1
41	Pivot Pin	UN-12737	2
42	Nylon Bush	UN-12738	2
43	Rear Mount (Left Hand)	UN-12740	1
44	Rear Mount (Right Hand)	UN-12744	1
45	Driven Shaft (Narrow Machines)	UN-12754	1
45	Driven Shaft (Wide Machines)	UN-12753	1
46	Idler Shaft (Narrow Machines)	UN-12755	1
46	Idler Shaft (Wide Machines)	UN-12756	1
47	Pressure Pad	UN-12757	3
48	Front Wear Plate (Left Hand)	UN-12872	1
49	Front Wear Plate (Right Hand)	UN-12873	1
50	Rear Wear Plate (Left Hand)	UN-12874	1
51	Rear Wear Plate (Right Hand)	UN-12875	1
52	Anchor Rail (Narrow Machines)	UN-13068	1
52	Anchor Rail (Wide Machines)	UN-13125	1
53	Chain Fixing Bracket (Left Hand)	UN-13074	1
54	Chain Fixing Bracket (Right Hand)	UN-13075	1
55	Ram Mount Bracket	UN-13181	1
56	Mount Bar (Narrow Machines)	UN-13185	1
56	Mount Bar (Wide Machines)	UN-13186	1
57	Plain Washer M25		6

17.4

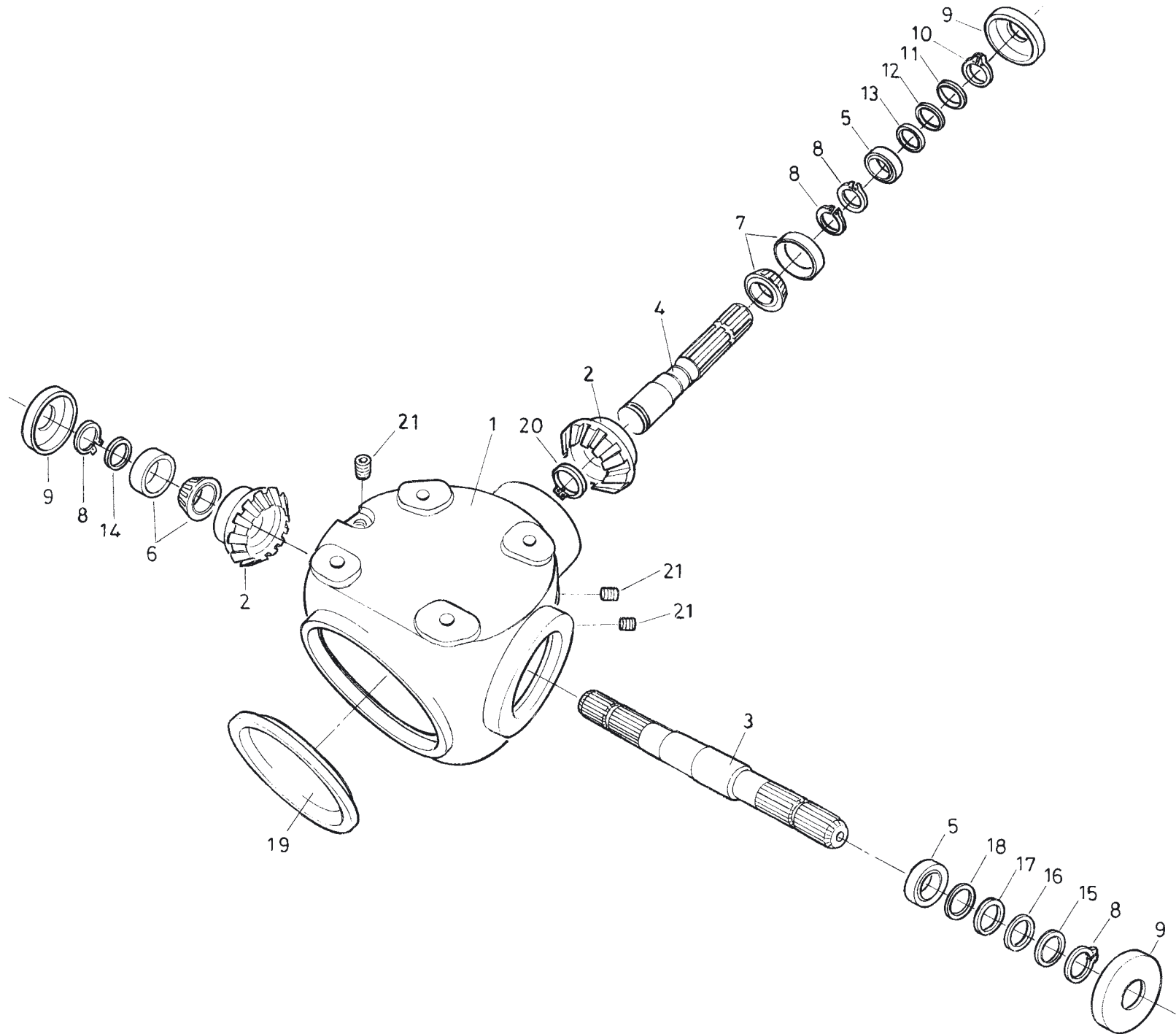


Assembly Group 17.4 - Driven Scrubber Web (Star machines)

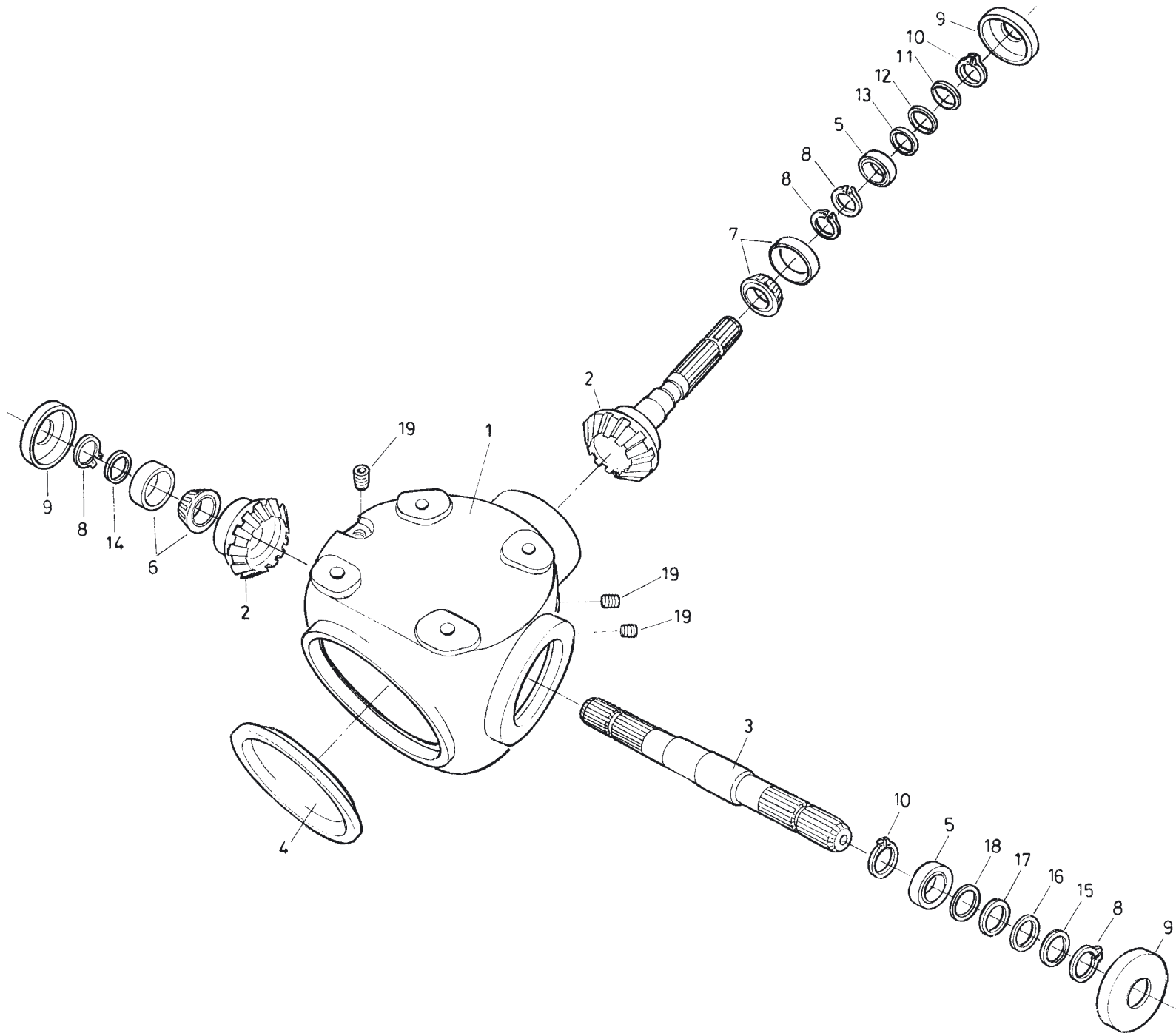
Item	Description	Part No.	Qty.
1	Key (14 x 9 x 90 2 Round Ends)	UN-00042	7
2	Pressure Roller Ram	UN-00121	3
2A	Pressure Roller Ram Seal Kit	UN-00122	
3	Spring Hook	UN-00200	2
4	Pressurising Spring	UN-00218	2
5	4 Hole Bearing with locking collar	UN-00234	2
6	D-Shackle	UN-00588	2
7	Rubber Curtain (Narrow Machines)	UN-00594	2
7	Rubber Curtain (Wide Machines)	UN-00596	2
8	Tollok Bush	UN-00890	2
9	Hydraulic Motor	UN-01038	1
10	4 Hole Bearing with grub screws	UN-01919	1
11	Drive Shoe	UN-02974	8
12	Flanged Rubber Roller	UN-03030	6
13	Plain Rubber Covered Roller	UN-03037	12
14	43mm 3 Belt Web (Narrow Machines)	UN-03202	1
14	43mm 3 Belt Web (Wide Machines)	UN-03203	1
15	Web Rod (Narrow Machines)	UN-03594	1
15	Web Rod (Wide Machines)	UN-03595	1
16	50mm Joining Clip	UN-03627	3
17	Driven Scrubber Web (Narrow Machines)	UN-04122	1
17	Driven Scrubber Web (Wide Machines)	UN-04123	1
18	45mm Web Sprocket with Fingers	UN-04124	3
19	¼" BSP M x ¼" BSP M Adapter	UN-05000	6
20	¼" BSP Dowty Washer	UN-05100	6
21	Drive Shoe Hub	UN-08125	4
22	Ram Bracket	UN-10408	3
23	Stop Arm	UN-10411	4
24	Link Shaft (Narrow Machines)	UN-10720	2
24	Link Shaft (Wide Machines)	UN-10721	2
25	Bearing Centre	UN-10722	12
26	Tri-hole Boss	UN-10723	3
27	Ram Pin	UN-10724	3
28	Support Chain	UN-10726	2

Item	Description	Part No.	Qty.
29	Spring Clamp	UN-10727	4
30	Locking Collar	UN-10728	8
31	Pivot Block	UN-10729	4
32	Fixing Collar	UN-10733	4
33	Adjuster Lever	UN-11503	2
34	Locking Collar	UN-11535	2
35	Middle Guard (Left Hand)	UN-12760	1
36	Middle Guard (Right Hand)	UN-12763	1
37	Rear Guard (Left Hand)	UN-12723	1
38	Rear Guard (Right Hand)	UN-12727	1
39	Front Mount (Left Hand)	UN-12730	1
40	Front Mount (Right Hand)	UN-12735	1
41	Pivot Pin	UN-12737	2
42	Nylon Bush	UN-12738	2
43	Rear Mount (Left Hand)	UN-12740	1
44	Rear Mount (Right Hand)	UN-12744	1
45	Driven Shaft (Narrow Machines)	UN-12754	1
45	Driven Shaft (Wide Machines)	UN-12753	1
46	Idler Shaft (Narrow Machines)	UN-12755	1
46	Idler Shaft (Wide Machines)	UN-12756	1
47	Pressure Pad	UN-12757	6
48	Front Wear Plate (Left Hand)	UN-12872	1
49	Front Wear Plate (Right Hand)	UN-12873	1
50	Rear Wear Plate (Left Hand)	UN-12874	1
51	Rear Wear Plate (Right Hand)	UN-12875	1
52	Anchor Rail (Narrow Machines)	UN-13068	1
52	Anchor Rail (Wide Machines)	UN-13125	1
53	Chain Fixing Bracket (Left Hand)	UN-13074	1
54	Chain Fixing Bracket (Right Hand)	UN-13075	1
55	Link Bar	UN-10405	1
56	Mount Bar (Narrow Machines)	UN-11500	2
56	Mount Bar (Wide Machines)	UN-11502	2
57	Plain Washer M25		12

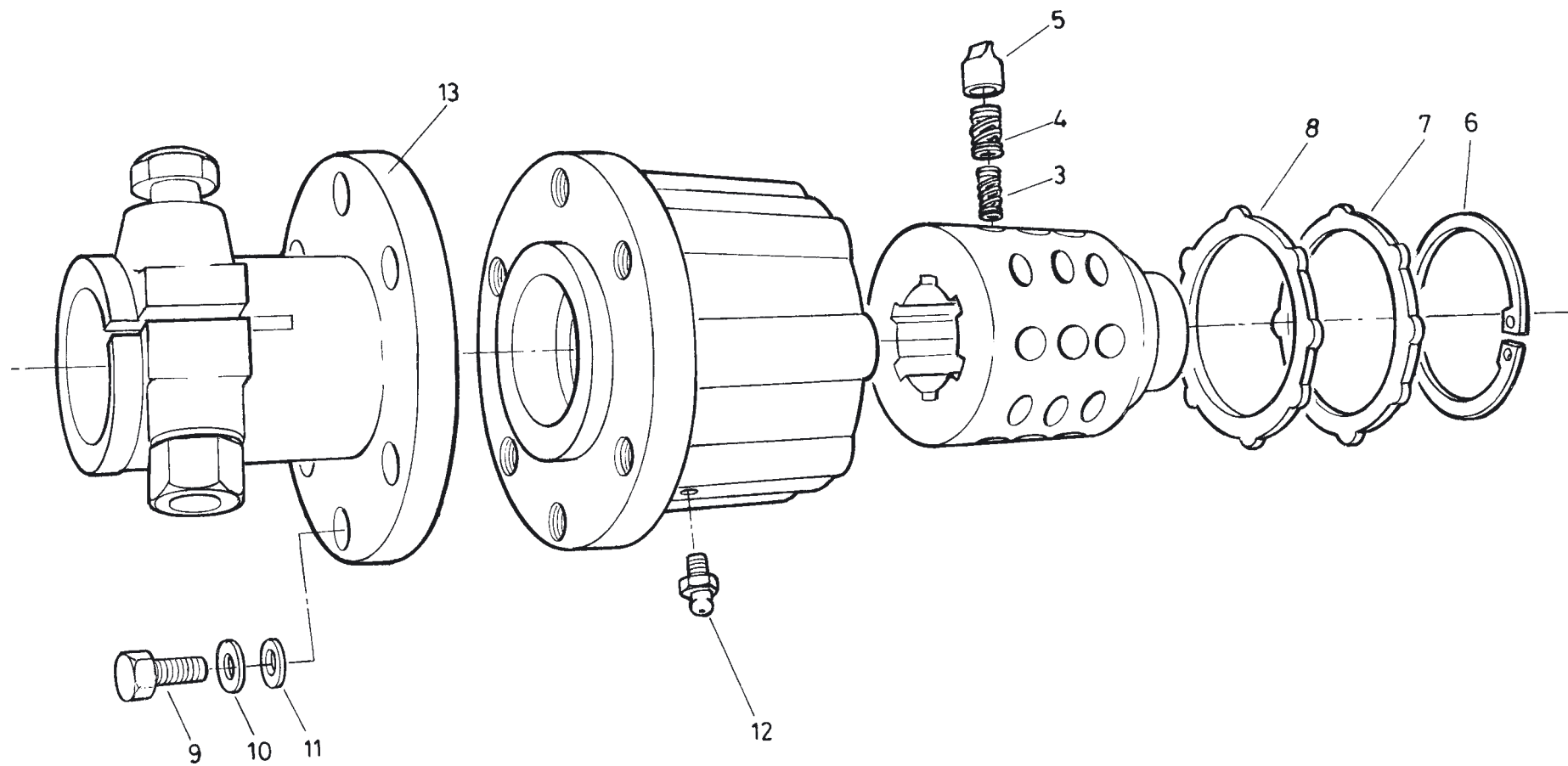
18.1



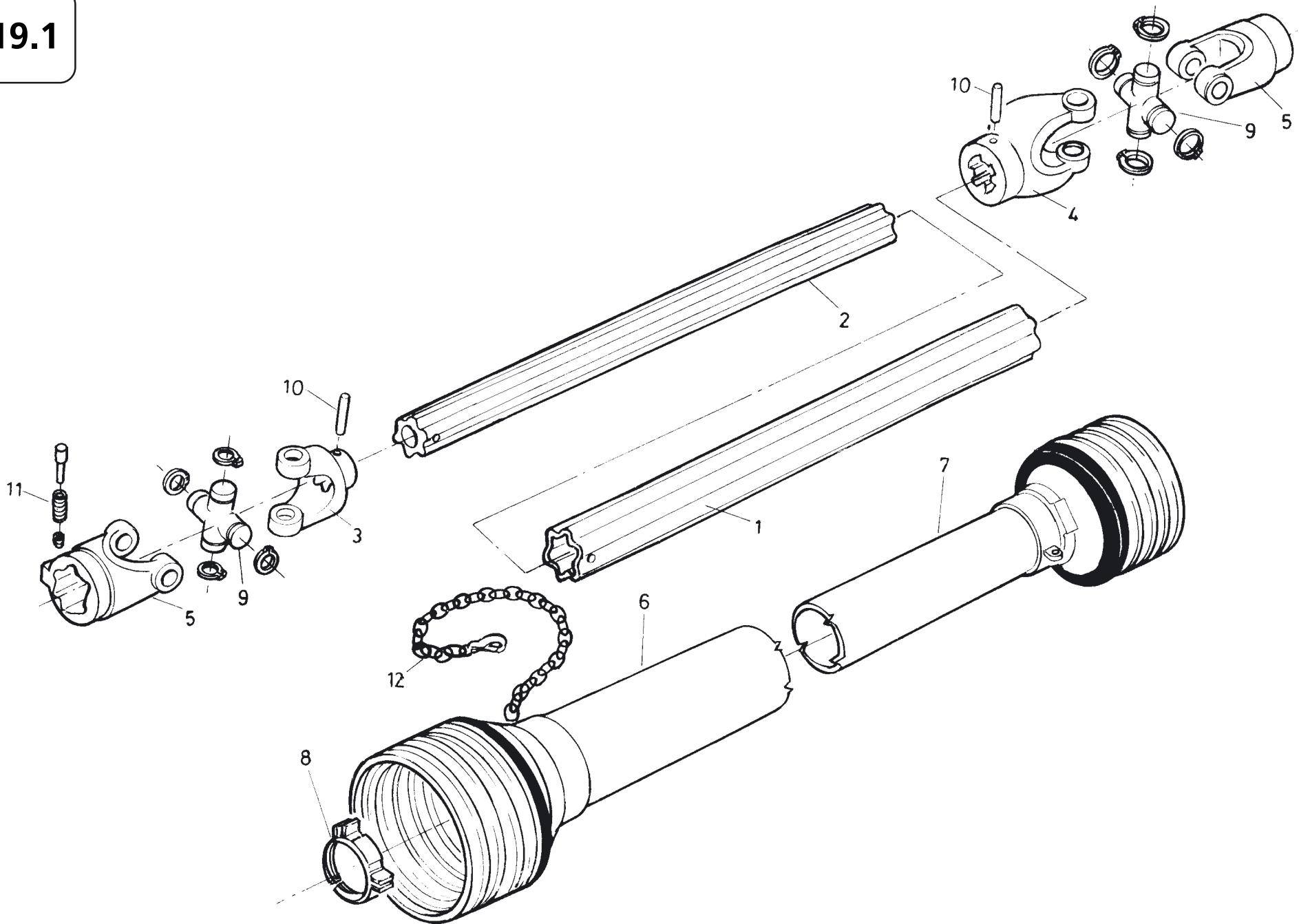
18.2



18.3



19.1



Assembly Group 19.1 - P.T.O. Shaft

Item	Description	Every Machine	Multiweb Machines	Star Machines
		Separator to Tractor	Between Gearboxes	Between Gearboxes
	Shaft & Guard Assembly (Complete)	UN-00500	UN-00501	UN-00502
1	Outer Tube	UN-00567	UN-00572 including Yoke	UN-00575 including Yoke
2	Inner Tube	UN-00566	UN-00556 including Yoke	UN-00556 including Yoke
3	Inner Tube Yoke	UN-00518		
4	Outer Tube Yoke	UN-00523		
5	End Yoke	UN-00516	UN-00554	UN-00554
6	Outer Half Guard	UN-00570	UN-00573	UN-00573
7	Inner Half Guard	UN-00569	UN-00574	UN-00576
8	Retaining Ring	UN-00560	UN-00560	UN-00560
9	Unit Package c/w Circlips	UN-00517	UN-00555	UN-00555
10	Tension Pin	UN-00565		
11	Quick Release Pin Kit	UN-00561	UN-00544	UN-00544
12	Chain for Guard	UN-00545	UN-00545	UN-00545

20.1

Freeflow
18 *special*

RGS4215-S

7

RGS4215-W

6

ScanStone

P O T A T O S Y S T E M S

3

RGS4217-S

11

RGS4217-W

10

ScanStone

P O T A T O S Y S T E M S

4

RGS4215-SD

9

RGS4215-WD

8

ScanStone

RGS4217-SD

13

RGS4217-WD

12

5



2



1

RGS5215-W

16

RGS5217-W

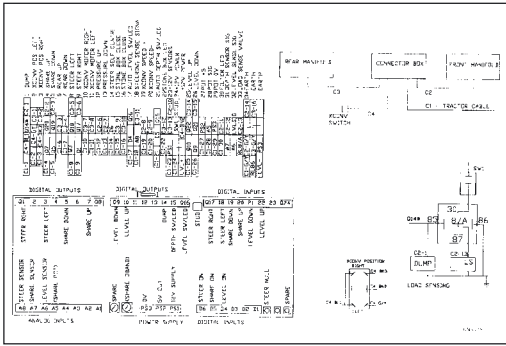
17

RGS4213/5-SD

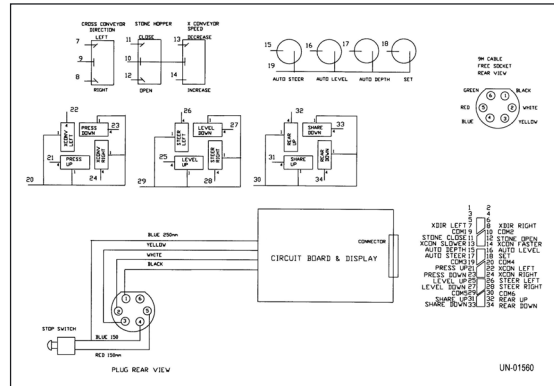
14

RGS4213/5-WD

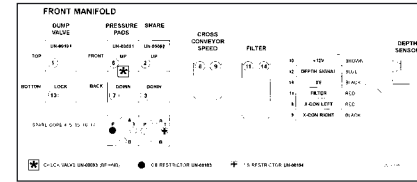
15



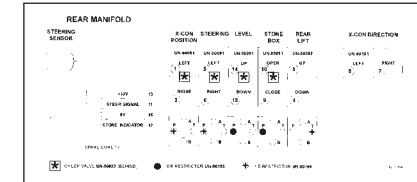
2



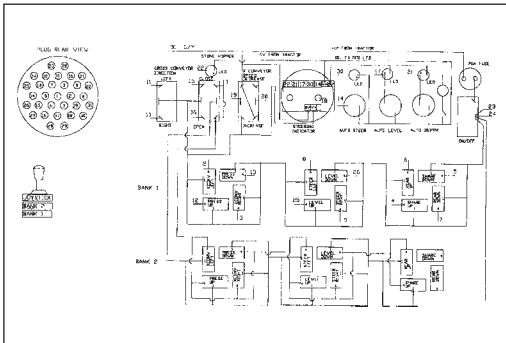
8



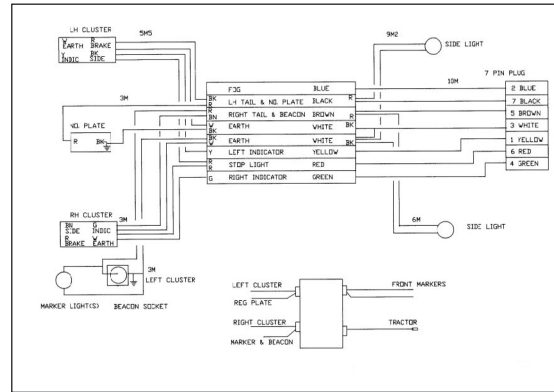
3



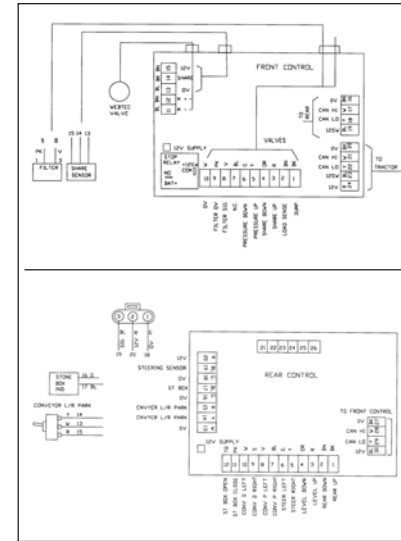
4



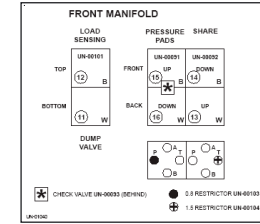
1



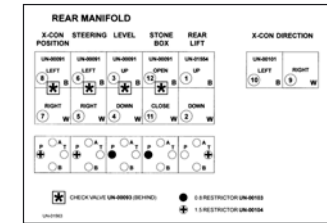
11



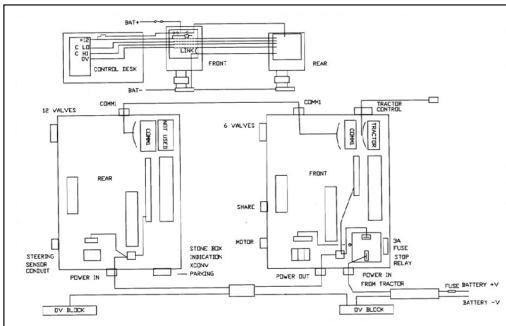
5



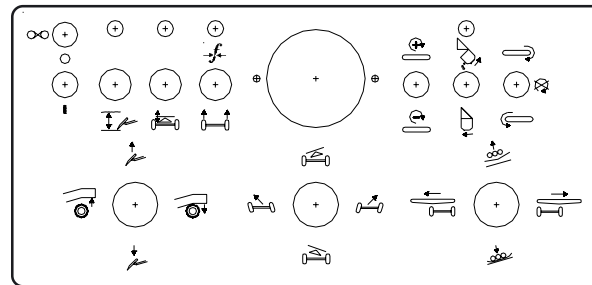
6



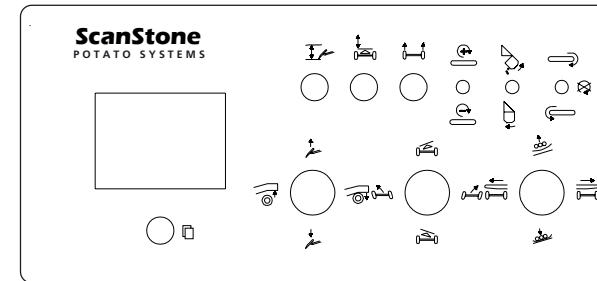
7



10



12



9

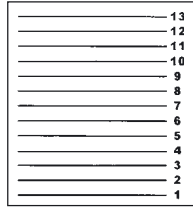


13

PATENT APPLIED FOR

13

26



6

WARNING
ONLY TO BE USED WHEN
LOAD SENSING KIT
IS FITTED TO TRACTOR

SEE OPERATORS HANDBOOK

9

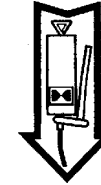
18

IMPORTANT
THIS CABLE MUST BE CONNECTED DIRECTLY ONTO TRACTOR BATTERY OR STARTER SOLENOID.
RED WIRE - POSITIVE +
BLACK WIRE - NEGATIVE -
DO NOT CONNECT THROUGH TRACTOR MULTIPIN PLUG OR SIMILAR.

IMPORTANT
THIS CABLE MUST BE CONNECTED DIRECTLY ONTO TRACTOR BATTERY OR STARTER SOLENOID.
RED WIRE - POSITIVE +
BLACK WIRE - NEGATIVE -
DO NOT CONNECT THROUGH TRACTOR MULTIPIN PLUG OR SIMILAR.

2

STAR SHAFTS ONLY
1 PUMP OF GREASE DAILY



25



23

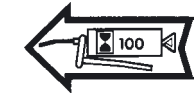
Designed and
Manufactured by

RGS Forfar Ltd.

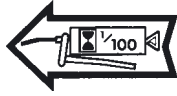
24

MAXIMUM SPEED
19MPH - 30KM/H

22



3



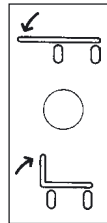
5



14

PROTECT HYDRAULIC VALVES BY REPLACING FILTER AT START OF EACH SEASON

7



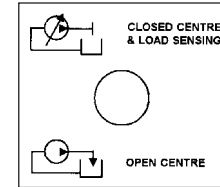
4

IMPORTANT
HOSE CONNECTIONS

RED HOSE - PRESSURE
BLUE HOSE - RETURN

INCORRECT HOSE CONNECTION MAY RESULT IN SERIOUS DAMAGE TO HYDRAULIC SYSTEM

1



8

TYRE PRESSURE
2.5 bar - 36 psi

10

PTO SPEED

540 RPM

19

LUBRICATION - MULTIWEBS MACHINE

STONE RAKE

REAR STAR

GREASE AT 1 HOUR INTERVALS
1. P.T.O. Universal Joints
CHECK AT 8 HOUR INTERVALS
2. Wheel Seal Torque Settings (271-280)

GREASE AT 40 HOUR INTERVALS
3. Wheel Seal
4. Grease Plug
5. Drive Shaft Bearings
6. Coummet Bearings
7. Main Drive Shafts
10. Drive Shafts
11. Scraper Web Mount for Bearings
12. Main Gear
13. Rear Star Bearings
14. Rear Main Pin & Bush Ends

GREASE AT 100 HOUR INTERVALS
15. Oil Level - Greasehouse

GREASE AT 40 HOUR INTERVALS
4. P.T.O. Guard Cover

GREASE AT 100 HOUR INTERVALS
16. Input Drive Shaft Seal

LN-0087

16

LUBRICATION - STAR MACHINE

STONE RAKE

REAR STAR

GREASE AT 8 HOUR INTERVALS
1. P.T.O. Universal Joints
CHECK AT 8 HOUR INTERVALS
2. Wheel Seal Torque Settings (271-280)

GREASE AT 10 HOUR INTERVALS
3. P.T.O. Guard Cover

GREASE AT 40 HOUR INTERVALS
4. P.T.O. Guard Cover

GREASE AT 100 HOUR INTERVALS
5. Wheel Seal
6. Grease Plug
7. Drive Shaft Bearings
8. Coummet Bearings
9. Main Drive Shafts
10. Drive Shafts
11. Scraper Web Mount for Bearings
12. Main Gear
13. Rear Star Bearings
14. Rear Main Pin & Bush Ends

GREASE AT 100 HOUR INTERVALS
15. Oil Level - Greasehouse

LN-0089

17

12

11

20

DO NOT OVER GREASE BEARINGS

REFER TO INSTRUCTION BOOK

21

Parts Index

Item	Assembly	Item	Assembly	Item	Assembly	Item	Assembly
UN-00001	11.1 11.1A 11.2 11.4	UN-00037	15.2 15.2A	UN-00103	13.3 13.3D 13.4 13.4D 13.6 13.7	UN-00139	9.2 9.3 13.1 13.1D 13.2 13.2D
UN-00002	11.1 11.1A 11.2 11.4	UN-00040	1.2	UN-00104	13.3 13.3D 13.4 13.4D 13.6 13.7	UN-00140	9.2 9.3 13.1 13.1D 13.2 13.2D
UN-00003	11.1 11.1A 11.4	UN-00041	5.1 5.2 5.3 5.4 5.5 5.6 5.7	UN-00105	10.1 10.2 13.1 13.2	UN-00143	1.4D
UN-00004	11.1 11.4	UN-00042	5.1 5.2 5.3 5.4 5.5 5.6 5.7 10.5 17.3 17.4	UN-00106	13.1 13.1D 13.2 13.2D 13.3 13.3D 13.4 13.4D 13.13	UN-00168	15.2 15.2A
UN-00005	15.2 15.2A	UN-00043	12.1	UN-00107	13.1 13.1D 13.2 13.2D 13.3 13.4 13.13	UN-00180	20.2
UN-00006	11.1 11.1A 11.4	UN-00044	10.1 10.2	UN-00108	13.1 13.1D 13.2 13.2D 13.3 13.4	UN-00181	20.2
UN-00007	11.1 11.1A 11.4	UN-00047	5.1 5.2 5.3 5.4 5.5 5.6	UN-00109	1.1 1.5D 13.1 13.1D 13.2 13.2D 13.13	UN-00183	20.2
UN-00009	11.2	UN-00057	15.1 15.1A 15.1B 15.1C	UN-00110	1.1 1.5D 13.1 13.1D 13.2 13.2D	UN-00184	20.2
UN-00010	11.2	UN-00058	2.1	UN-00111	10.1 13.1 13.1D 13.2 13.2D	UN-00199	10.1 10.2 10.5 15.2 15.2A 16.1
UN-00012	11.1 11.1A 11.2 11.3 11.4	UN-00060	10.1 10.2	UN-00112	10.1 13.1 13.1D 13.2 13.2D	UN-00200	17.1 17.2 17.3 17.4
UN-00013	11.1 11.1A 11.2 11.4	UN-00088	1.2	UN-00113	9.1 9.2 9.3 13.1 13.1D 13.2 13.2D	UN-00202	20.3
UN-00014	11.1 11.1A 11.2 11.3 11.4	UN-00089	3.1 3.1A	UN-00114	9.1 9.2 9.3 13.1 13.1D 13.2 13.2D 15.3	UN-00203	20.3
UN-00015	11.1 11.1A 11.4	UN-00090	13.3 13.3D 13.4 13.4D 13.6 13.7	UN-00115	9.1 13.1 13.2	UN-00205	20.3
UN-00016	11.1 11.1A 11.4	UN-00091	13.3 13.3D 13.4 13.4D 13.6 13.7 13.13	UN-00116	9.1 13.1 13.2	UN-00206	20.3
UN-00017	11.1 11.1A 11.2 11.4	UN-00093	13.3 13.3D 13.4 13.4D 13.6 13.7 13.13	UN-00117	9.1 9.2 13.1 13.2	UN-00207	20.3
UN-00018	11.1 11.1A 11.2 11.4	UN-00095	13.1 13.1D 13.2 13.2D 13.3 13.3D 13.4 13.4D 13.13	UN-00119	1.7D 1.8D 1.9D 13.8 13.13 15.3	UN-00208	20.3
UN-00019	11.1 11.1A 11.2 11.4	UN-00096	13.1 13.1D 13.2 13.2D 13.6 13.7 13.8	UN-00121	13.1 13.1D 13.2 13.2D 17.1 17.2 17.3 17.4	UN-00209	20.3
UN-00020	11.1 11.1A 11.2 11.4	UN-00097	13.3 13.3D 13.4 13.4D 13.6 13.7	UN-00122	13.1 13.1D 13.2 13.2D 13.8 17.1 17.2 17.3 17.4	UN-00210	20.3
UN-00021	11.1 11.1A 11.4	UN-00098	13.3 13.3D 13.4 13.4D 13.6 13.7	UN-00139	9.2 9.3 13.1 13.1D 13.2 13.2D	UN-00211	20.3
UN-00022	11.1 11.1A 11.4	UN-00099	13.6 13.7	UN-00140	9.2 9.3 13.1 13.1D 13.2 13.2D	UN-00212	20.3
UN-00023	11.2	UN-00101	13.3 13.3D 13.4 13.4D 13.6 13.7	UN-00143	1.4D	UN-00213	20.3
UN-00024	11.2	UN-00102	13.6 13.7	UN-00168	15.2 15.2A	UN-00214	20.3
UN-00025	11.2 11.3			UN-00180	20.2	UN-00215	20.3
UN-00029	15.2 15.2A			UN-00181	20.2	UN-00216	10.1
UN-00031	15.2 15.2A			UN-00183	20.2	UN-00218	17.1 17.2 17.3 17.4
UN-00032	15.2 15.2A			UN-00184	20.2	UN-00222	7.1 7.2 7.4D 7.5D
UN-00033	15.2 15.2A			UN-00199	10.1 10.2 10.5 15.2 15.2A 16.1	UN-00223	1.1 1.4D 1.7D 1.8D 1.9D 11.1 11.1A 11.2 11.4
UN-00035	3.2 3.2A 3.3 3.3A 3.4 3.4A 3.5 3.5A 3.6D 3.7D			UN-00200	17.1 17.2 17.3 17.4	UN-00225	10.3 10.4 15.3
UN-00036	5.1 5.2 5.3 5.4 5.5 5.6 5.7 16.1			UN-00202	20.3	UN-00226	7.1 7.2 7.4D 7.5D

Parts Index

Item	Assembly	Item	Assembly	Item	Assembly	Item	Assembly
UN-00227	1.1 1.4D 2.1	UN-00264	3.3 3.3A 3.5 3.5A	UN-00451	11.1 11.1A 11.2 11.4 15.2 15.2A	UN-00556	19.1
UN-00228	7.1 7.2 7.4D 7.5D	UN-00265	3.3 3.3A 3.5 3.5A	UN-00452	15.2	UN-00560	19.1
UN-00229	1.1	UN-00271	2.1 18.2	UN-00453	11.2	UN-00561	19.1
UN-00230	1.1	UN-00272	8.1 18.1	UN-00454	11.1 11.1A 11.2 11.4 15.2 15.2A	UN-00565	19.1
UN-00231	14.1 14.1A	UN-00275	18.1 18.2	UN-00455	11.1 11.1A 11.2 11.4	UN-00566	19.1
UN-00232	14.1	UN-00276	18.1	UN-00457	14.1A 15.3	UN-00567	19.1
UN-00233	9.1 9.2	UN-00277	18.1 18.2	UN-00483	3.1 3.1A 3.2 3.2A 3.3 3.3A 3.4 3.4A 3.5 3.5A	UN-00569	19.1
UN-00234	1.1 1.4D 1.7D	UN-00278	18.1	UN-00489	9.3	UN-00570	19.1
	1.8D 1.9D 8.1	UN-00279	18.1 18.2	UN-00490	15.2 15.2A	UN-00572	19.1
	11.1 11.1A 11.2	UN-00280	18.1 18.2	UN-00494	15.2 15.2A	UN-00573	19.1
	11.4 17.3 17.4	UN-00281	18.1 18.2	UN-00495	15.2 15.2A	UN-00574	19.1
UN-00235	2.1 11.1 11.1A 11.2 11.4	UN-00282	18.1 18.2	UN-00500	19.1	UN-00575	19.1
UN-00236	16.1	UN-00283	18.1 18.2	UN-00501	19.1	UN-00576	19.1
UN-00237	11.3	UN-00284	18.1 18.2	UN-00502	19.1	UN-00577	7.1 7.2 7.4D 7.5D
UN-00241	6.3	UN-00286	18.1 18.2	UN-00505	2.1 18.3	UN-00578	7.1 7.2
UN-00242	9.4	UN-00288	18.1	UN-00506	8.1 18.3	UN-00579	2.1 8.1
UN-00243	9.4	UN-00289	18.2	UN-00508	18.3	UN-00580	1.1
UN-00245	15.2 15.2A	UN-00290	18.1 18.2	UN-00509	15.2A 18.3	UN-00581	14.2
UN-00246	11.2 11.3 15.2 15.2A	UN-00291	18.1 18.2	UN-00510	15.2A 18.3	UN-00582	14.2
UN-00247	1.1 1.7D 1.8D	UN-00292	18.1 18.2	UN-00511	18.3	UN-00583	10.1
	1.9D 10.5 11.1	UN-00293	18.1 18.2	UN-00512	18.3	UN-00584	1.4D 1.7D 1.8D 1.9D 2.1 8.1
	11.1A 11.2 11.4	UN-00294	18.1 18.2	UN-00513	18.3		
UN-00249		UN-00295	18.1 18.2	UN-00514	18.3	UN-00585	1.4D 1.7D 1.8D 1.9D 2.1
UN-00250	3.1 3.1A	UN-00296	18.1 18.2	UN-00516	19.1	UN-00586	9.1 9.2 9.3
UN-00251	1.2	UN-00297	18.1 18.2	UN-00517	19.1	UN-00587	10.1 10.2 10.5
UN-00252	3.1 3.1A 3.2 3.2A 3.3	UN-00298	18.1 18.2	UN-00518	19.1	UN-00588	17.1 17.2 17.3 17.4
	3.3A 3.4 3.4A 3.5 3.5A	UN-00423	10.1 10.2	UN-00523	19.1	UN-00589	9.1 9.2 9.3
UN-00257	3.1 3.1A	UN-00425	20.3	UN-00544	19.1	UN-00592	9.1 9.2 9.3
UN-00259	3.1 3.1A	UN-00428	9.1 9.2 9.3	UN-00545	19.1	UN-00594	17.1 17.2 17.3 17.4
UN-00260	3.4 3.4A 3.5 3.5A 3.6D	UN-00429	9.1 9.2 9.3	UN-00554	19.1	UN-00596	17.1 17.2 17.3 17.4
UN-00261	3.2 3.2A 3.3 3.3A	UN-00441	15.2A	UN-00555	19.1	UN-00598	1.1 1.5D 14.1 14.1A
UN-00262	3.2 3.2A 3.4 3.4A	UN-00444	15.2 15.2A			UN-00599	6.3
UN-00263	3.2 3.2A 3.4 3.4A	UN-00450	11.1 11.1A 11.2 11.3 11.4			UN-00600	12.1

Parts Index

Item	Assembly	Item	Assembly	Item	Assembly	Item	Assembly
UN-00640	7.1 7.2 7.4D 7.5D	UN-00789	13.1 13.1D 13.2 13.2D 13.6 13.7	UN-00823	13.6 13.7 13.8	UN-00892	3.2 3.2A 3.3 3.3A 3.4 3.4A 3.5 3.5A
UN-00641	14.1 14.1A 15.3	UN-00790	13.1 13.1D 13.2 13.2D	UN-00824	13.8 13.13 15.3	UN-00893	20.3
UN-00660	1.4D	UN-00791	13.1D 13.2 13.3D	UN-00825	13.2 13.2D 13.4 13.4D	UN-00894	13.10
UN-00685	14.2	UN-00793	16.1	UN-00827	13.2 13.2D 13.7	UN-00895	9.1 9.2 9.3
UN-00687	14.2	UN-00794	16.1	UN-00829	13.2 13.2D 13.7	UN-00896	9.1 9.2 9.3
UN-00689	14.2	UN-00795	8.1	UN-00830	12.1	UN-00900	14.2
UN-00697	13.1D 13.2D 13.3 13.4	UN-00798	10.5 11.2 11.3	UN-00831	12.1	UN-00901	14.2
UN-00700	9.4	UN-00799	13.1 13.1D 13.2 13.2D	UN-00832	13.10	UN-00902	14.2 14.3
UN-00701	9.4	UN-00800	13.1 13.1D 13.2 13.2D	UN-00833	13.10	UN-00903	14.1 14.1A 14.2 15.3
UN-00702	9.4	UN-00801	13.1 13.1D 13.3 13.3D 13.6	UN-00834	13.10	UN-00904	14.2
UN-00705	9.1 9.2 9.3 9.4	UN-00802	13.1 13.1D 13.3 13.3D 13.6	UN-00835	13.10	UN-00905	14.2
UN-00706	9.4	UN-00803	13.1 13.1D 13.3 13.3D	UN-00836	13.10	UN-00908	14.2
UN-00714	3.6D 3.7D	UN-00805	13.1 13.1D 13.3 13.3D	UN-00837	13.10	UN-00909	14.2
UN-00715	9.4	UN-00806	13.1 13.3	UN-00838	13.10	UN-00910	14.2
UN-00716	9.4	UN-00807	13.1 13.2 13.3 13.4	UN-00839	13.10	UN-00911	14.2
UN-00717	9.4	UN-00808	13.1 13.1D 13.6	UN-00861	13.5	UN-00912	14.2
UN-00718	9.4	UN-00809	13.1 13.2 13.3 13.4	UN-00862	13.2	UN-00913	14.2
UN-00719	9.4	UN-00810	13.1 13.2	UN-00863	13.2 13.4	UN-00914	14.2
UN-00780	13.1 13.1D 13.2 13.2D	UN-00811	13.1 13.2	UN-00864	13.2 13.2D 13.4 13.4D 13.7	UN-00915	14.2
UN-00781	13.1 13.1D 13.2 13.2D	UN-00812	13.1	UN-00865	13.2 13.2D 13.4 13.4D 13.7	UN-00916	14.2
UN-00782	13.1 13.1D 13.2 13.2D	UN-00813	13.1 13.2 13.3 13.4	UN-00866	13.2 13.2D 13.4 13.4D 13.7	UN-00917	14.2
UN-00783	13.1 13.2D 13.3 13.4 13.4D	UN-00814	13.1 13.1D 13.2 13.2D 13.3 13.3D 13.4 13.4D	UN-00872	9.4	UN-00918	14.1 14.1A
UN-00784	13.1 13.1D 13.2 13.2D 13.6 13.7	UN-00815	13.1D 13.2D 13.3 13.3D 13.4 13.4D	UN-00873	9.4	UN-00919	14.1 14.1A 15.3
UN-00785	13.1 13.1D 13.2 13.2D 13.6 13.7	UN-00816	13.1 13.2 13.6 13.7	UN-00874	1.4D	UN-00920	10.3 10.4 14.1 14.1A
UN-00786	13.1 13.1D 13.2 13.2D 13.6 13.7	UN-00817	13.1 13.2 13.6 13.7	UN-00876	1.4D	UN-00921	14.1 14.1A 15.3
UN-00787	13.1 13.1D 13.2 13.2D 13.6 13.7	UN-00818	13.1 13.2 13.6 13.7	UN-00881	11.1A	UN-00922	14.1 14.1A
UN-00788	13.1 13.1D 13.2 13.2D 13.6 13.7	UN-00819	13.1 13.2 13.6 13.7	UN-00885	11.2	UN-00923	9.1 9.2 9.3
		UN-00820	13.1 13.2	UN-00886	10.1 10.2 13.1 13.1D 13.2 13.2D	UN-00924	9.1 9.2 9.3
		UN-00822	13.8 15.3	UN-00890	17.2 17.3 17.4	UN-00925	9.1 9.2 9.3
						UN-00926	9.1 9.2 9.3
						UN-00927	9.1 9.2 9.3
						UN-00928	14.1 14.1A
						UN-00929	14.1 14.1A

Parts Index

Item	Assembly	Item	Assembly	Item	Assembly	Item	Assembly
UN-00930	14.1 14.1A	UN-01033	13.8 15.3	UN-01214	14.2A	UN-01252	10.7
UN-00931	14.1 14.1A	UN-01038	10.5 17.3 17.4	UN-01215	14.2A	UN-01265	1.3 1.6D
UN-00932	14.1	UN-01039	20.2	UN-01216	14.2A	UN-01266	1.3 1.6D
UN-00933	14.1	UN-01040	20.2	UN-01217	14.2A	UN-01267	1.3 1.6D
UN-00934	14.1 14.1A	UN-01041	20.2	UN-01218	14.2A	UN-01423	20.3
UN-00935	14.1	UN-01047	20.2	UN-01219	14.2A	UN-01424	20.3
UN-00936	14.1 14.1A	UN-01061	20.2	UN-01220	14.2A	UN-01428	14.2A
UN-00937	14.1 14.1A	UN-01062	20.1	UN-01221	14.2A	UN-01437	1.7D 1.8D 1.9D
UN-00938	14.1 14.1A	UN-01063	20.1	UN-01222	14.2A	UN-01477	9.4
UN-00939	14.1 14.1A	UN-01068	13.6 13.7	UN-01223	14.2A	UN-01478	9.4
UN-00940	14.1 14.1A	UN-01069	13.1 13.1D 13.6	UN-01224	14.3A	UN-01489	20.3
UN-00941	14.1	UN-01071	13.3 13.3D 13.4 13.4D	UN-01225	14.3A 14.3B	UN-01512	12.1
UN-00942	14.1 14.1A		13.5 13.5D 13.6 13.7	UN-01226	14.3A	UN-01548	20.3
UN-00943	14.1 14.1A	UN-01092	1.7D 1.8D 1.9D	UN-01227	14.3A 14.3B	UN-01552	20.3
UN-00944	14.1 14.1A	UN-01124	20.2	UN-01228	14.3A	UN-01553A	20.3
UN-00945	14.1	UN-01125	20.2	UN-01229	14.3A 14.3B	UN-01554	13.3 13.3D 13.4
UN-00946	14.1	UN-01125A	20.2	UN-01230	14.3A		13.4D 13.6 13.7 13.13
UN-00947	14.1	UN-01135	9.2	UN-01231	14.3A 14.3B	UN-01560	20.2
UN-00948	14.1 14.1A	UN-01183	13.9	UN-01232	14.3A 14.3B	UN-01560A	20.2
UN-00949	14.3	UN-01184	10.5	UN-01235	13.9	UN-01561	20.2
UN-00950	14.3	UN-01200	14.1A	UN-01236	13.9	UN-01562	20.2
UN-00951	14.3	UN-01201	14.1A	UN-01237	13.9	UN-01562A	20.2
UN-00952	14.3	UN-01202	14.1A	UN-01238	13.9	UN-01562C	20.2
UN-00953	14.3	UN-01203	14.1A	UN-01239	13.9	UN-01563	20.2
UN-00954	14.3	UN-01204	14.1A	UN-01240	13.9	UN-01563A	20.2
UN-00955	14.3	UN-01205	14.1A	UN-01241	13.9	UN-01563D	20.2
UN-00956	14.3	UN-01206	14.1A	UN-01242	13.9	UN-01564A	20.2
UN-00957	14.3	UN-01207	14.1A	UN-01245	12.1	UN-01566A	20.1
UN-00958	14.3 14.3A 14.3B	UN-01208	14.1A	UN-01246	12.1	UN-01567A	20.1
UN-00962	20.3	UN-01209	14.1A	UN-01247	10.7	UN-01570	20.3
UN-01001	7.1 7.2 7.4D 7.5D	UN-01210	14.1A	UN-01248	10.7	UN-01579	13.1D 13.2D
UN-01002	7.1 7.2 7.4D 7.5D	UN-01211	14.1A	UN-01249	10.7		13.3D 13.4D
UN-01005	20.3	UN-01212	14.2A	UN-01250	10.7	UN-01580	13.1D 13.2D
UN-01032	14.1A	UN-01213	14.2A	UN-01251	10.7	UN-01581	13.1D 13.2D

Parts Index

Item	Assembly	Item	Assembly	Item	Assembly	Item	Assembly
UN-01582	13.1D 13.2D 13.4D	UN-01824	20.1	UN-02999	12.1 12.2 12.3 12.4 12.5	UN-03201	6.1 17.1 17.2
UN-01583	13.1D 13.2D	UN-01825	20.1	UN-03000	5.1 5.2 5.3 5.4	UN-03202	6.1 17.1 17.2 17.3 17.4
	13.3D 13.4D	UN-01826	20.1		5.5 5.6 5.7 10.5	UN-03203	6.1 17.1 17.2 17.3 17.4
UN-01584	13.2D 13.4D	UN-01827	20.1	UN-03001	5.1 5.5	UN-03204	6.1
UN-01585	13.1D 13.2D 13.3D	UN-01828	20.1	UN-03002	5.1 5.2 5.3 5.4	UN-03205	6.1
UN-01587	13.1D 13.3D	UN-01829	20.1		5.5 5.6 5.7	UN-03206	6.1
UN-01588	13.11 13.12	UN-01830	20.1	UN-03003	5.1 5.5 5.7	UN-03207	6.1
UN-01589	1.6D 13.11 13.12	UN-01831	20.1	UN-03006	5.1 5.2 5.3 5.4	UN-03208	6.1
UN-01594	13.11 13.12	UN-01832	20.3		5.5 5.6 5.7	UN-03209	6.1
UN-01595	13.11 13.12	UN-01833	20.1	UN-03007	5.1 5.5 5.7	UN-03210	6.1
UN-01596	13.11 13.12	UN-01834	20.1	UN-03010	5.1 5.2 5.3 5.4	UN-03211	6.1
UN-01597	13.11 13.12	UN-01842	20.2		5.5 5.6 5.7	UN-03214	6.1
UN-01598	1.6D 13.1D 13.2D	UN-01846	20.1	UN-03011	5.1 5.5 5.7	UN-03215	6.1
UN-01599	9.3	UN-01847	20.1	UN-03014	5.1 5.2 5.3 5.4	UN-03284	6.1
UN-01600	9.3	UN-01848	1.7D		5.5 5.6 5.7	UN-03285	6.1
UN-01607	14.3B	UN-01852	13.13	UN-03015	5.1 5.5	UN-03286	6.1
UN-01608	14.3B	UN-01853	14.3C	UN-03016	5.1 5.2 5.3 5.4	UN-03287	6.1
UN-01609	14.3B	UN-01854	14.3C		5.5 5.6 5.7 10.5	UN-03288	6.1
UN-01610	14.3B	UN-01862	14.3C	UN-03030	4.1 4.2 4.3 4.4 4.5	UN-03289	6.1
UN-01611	14.3B	UN-01863	14.3C		4.6 6.3 10.1 17.3 17.4	UN-03290	6.1
UN-01612	20.3	UN-01864	14.3C	UN-03031	3.2 3.2A 3.3	UN-03291	6.1
UN-01634	1.7D	UN-01892	20.1		3.3A 3.4 3.4A 3.5	UN-03292	6.1
UN-01661	1.7D 1.8D 1.9D	UN-01894	20.3	3.5A 3.6D 3.7D 6.3	UN-03293	6.1	
UN-01669	1.7D 1.8D 1.9D	UN-01895	20.3	UN-03032	6.3 10.1 10.2 10.6	UN-03294	6.1
UN-01712	1.3 1.6D	UN-01919	17.3 17.4	UN-03033	6.3 10.1 10.2 10.6	UN-03295	6.1
UN-01713	1.3	UN-02974	17.3 17.4	UN-03034	6.3 10.6	UN-03296	6.1
UN-01714	10.7	UN-02975	10.1 10.2 10.5	UN-03035	3.1 3.1A 6.3	UN-03297	6.1
UN-01715	9.2	UN-02982	13.1 13.1D 13.2 13.2D	UN-03036	17.1 17.2	UN-03298	6.1
UN-01716	9.2 9.3		13.3 13.3D 13.4 13.4D	UN-03037	17.1 17.2 17.3 17.4	UN-03299	6.1
UN-01771	1.6D	UN-02984	13.1 13.1D 13.2 13.2D	UN-03038	4.1 4.2 4.3	UN-03300	6.1
UN-01772	13.13	UN-02995	12.1 12.2 12.3 12.4 12.5		4.4 4.5 4.6	UN-03301	6.1
UN-01821	20.1	UN-02996	12.1 12.2 12.3 12.4 12.5	UN-03040	4.1 4.2 4.3	UN-03550	6.2
UN-01822	20.1	UN-02997	12.1 12.2 12.3 12.4 12.5		4.4 4.5 4.6	UN-03551	6.2
UN-01823	20.1	UN-02998	12.1 12.2 12.3 12.4 12.5	UN-03200	6.1 17.1 17.2	UN-03558	6.2

Parts Index

Item	Assembly	Item	Assembly	Item	Assembly	Item	Assembly
UN-03559	6.2	UN-03627	17.3 17.4	UN-03903	6.1	UN-03949	6.2A
UN-03560	6.2	UN-03642	6.2	UN-03904	6.1	UN-03950	6.2A
UN-03561	6.2	UN-03643	6.2	UN-03905	6.1	UN-03951	6.2A
UN-03562	6.2	UN-03644	6.2	UN-03906	6.1	UN-03952	6.2A
UN-03563	6.2	UN-03645	6.2	UN-03907	6.1	UN-03953	6.2A
UN-03572	6.2	UN-03646	6.2	UN-03908	6.1	UN-03954	6.2A
UN-03575	6.2	UN-03648	6.1	UN-03909	6.1	UN-03955	6.2A
UN-03576	6.2	UN-03649	6.1	UN-03910	6.1	UN-03956	6.2A
UN-03577	6.2	UN-03758	10.6	UN-03911	6.1	UN-03957	6.2A
UN-03578	6.2	UN-03827	6.1	UN-03912	6.1	UN-03958	6.2A
UN-03579	6.2	UN-03828	6.1	UN-03913	6.1	UN-03959	6.2A
UN-03584	6.2	UN-03829	6.1	UN-03914	6.1	UN-03960	6.2A
UN-03585	6.2	UN-03830	6.1	UN-03915	6.1	UN-03961	6.2A
UN-03587	6.2	UN-03831	6.1	UN-03916	6.1	UN-03962	6.2A
UN-03588	6.2	UN-03832	6.1	UN-03917	6.1	UN-03963	6.2A
UN-03591	6.2	UN-03836	6.1	UN-03918	6.1	UN-03964	6.2A
UN-03594	6.2 6.2A 17.1 17.2 17.3 17.4	UN-03837	6.1	UN-03919	6.1	UN-03965	6.2A
UN-03595	6.2 6.2A 17.1 17.2 17.3 17.4	UN-03838	6.1	UN-03920	6.1	UN-03966	6.2A
UN-03598	6.2	UN-03839	6.1	UN-03921	6.1	UN-03967	6.2A
UN-03602	6.2 6.2A	UN-03840	6.1	UN-03922	6.1	UN-03968	6.2A
UN-03603	6.2 6.2A	UN-03841	6.1	UN-03923	6.1	UN-03969	6.2A
UN-03604	6.2 6.2A	UN-03859	6.2A	UN-03924	6.1	UN-03970	6.2A
UN-03605	17.1 17.2	UN-03860	6.2A	UN-03925	6.1	UN-03971	6.2A
UN-03606	17.1 17.2	UN-03861	6.1	UN-03926	6.1	UN-03972	6.2A
UN-03608	6.2	UN-03866	6.2A	UN-03927	6.1	UN-03973	6.2A
UN-03609	6.2	UN-03867	6.2A	UN-03928	6.1	UN-03974	6.2A
UN-03610	6.3	UN-03868	6.2A	UN-03929	6.1	UN-03975	6.2A
UN-03611	6.3	UN-03869	6.2A	UN-03930	6.1	UN-03976	6.2A
UN-03612	6.3	UN-03870	6.1	UN-03943	6.2A	UN-03977	6.2A
UN-03613	6.3	UN-03871	6.1	UN-03944	6.2A	UN-03978	6.2A
UN-03614	6.3	UN-03872	6.2A	UN-03945	6.2A	UN-03979	6.2A
UN-03615	6.3	UN-03873	6.1 6.2A	UN-03946	6.2A	UN-03980	6.2A
		UN-03901	6.1	UN-03947	6.2A	UN-03981	6.2A
		UN-03902	6.1	UN-03948	6.2A	UN-03982	6.2A

Parts Index

Item	Assembly	Item	Assembly	Item	Assembly	Item	Assembly
UN-03983	6.2A	UN-05001	1.1 1.3 1.5D 1.6D 13.6 13.7	UN-05068	1.3 1.6D	UN-05199	13.3 13.3D 13.4 13.4D
UN-03984	6.2A	UN-05002	13.1 13.1D 13.2 13.2D	UN-05069	1.3 1.6D 13.12	UN-08014	1.1 1.4D 1.7D 1.8D 1.9D 10.1
UN-03985	6.2A	UN-05003	1.3 1.6D 9.1 9.2 9.3 10.1 13.1 13.1D 13.2 13.2D 13.5 13.5D 13.6 13.7 13.8 13.9 13.12 15.3	UN-05070	1.3 1.6D	UN-08125	17.3 17.4
UN-03986	6.2A		UN-05071	1.3 1.6D	UN-08280	6.4	
UN-03987	6.2A		UN-05074	13.1 13.1D 13.2 13.2D	UN-08285	6.4	
UN-03988	6.2A		UN-05075	1.3 1.6D 13.1 13.1D 13.2 13.2D 13.9 13.11	UN-08287	6.4	
UN-03989	6.2A		UN-05076	13.1 13.1D 13.2 13.2D	UN-08295	6.4	
UN-03990	6.2A		UN-05004	1.3 1.6D 10.1 10.2 13.9	UN-05080	1.3 1.6D 13.9	UN-08297
UN-03991	6.2A	UN-05006	13.5 13.5D 13.6 13.7	UN-05081	13.9	UN-08299	6.4
UN-03992	6.2A	UN-05007	13.5 13.5D 13.6 13.7 13.12	UN-05087	1.3 1.6D 13.12	UN-10001	1.1
UN-03993	6.2A	UN-05010	13.6 13.7	UN-05088	13.9	UN-10023	1.1
UN-03994	6.2A	UN-05011	13.5 13.5D	UN-05089	13.9	UN-10025	1.1
UN-03995	6.2A	UN-05015	13.5	UN-05090	13.1 13.1D 13.3 13.3D 13.11 13.12	UN-10026	1.4D 1.7D 1.8D 1.9D 2.1
UN-03996	6.2A	UN-05016	13.12	UN-05091	13.1 13.1D 13.3 13.3D 13.12	UN-10029	1.1 1.5D
UN-03997	6.2A	UN-05017	13.5D 13.6	UN-05100	13.8 13.12 17.1 17.2 17.3 17.4	UN-10033	1.1
UN-03998	6.2A	UN-05020	13.5	UN-05101	1.1 1.3 1.5D 1.6D 9.1 9.2 9.3 10.1 13.1 13.1D 13.2 13.2D 13.5 13.5D 13.6 13.7 13.8 13.9 13.12 15.3	UN-10048	1.1
UN-03999	6.2A	UN-05021	13.12		UN-10050	1.1	
UN-04110	6.1	UN-05025	13.5 13.5D		UN-10053	5.1 5.3 5.7 11.1 11.1A 11.2 11.4	
UN-04111	6.1	UN-05026	13.5 13.5D 13.6		UN-10054	5.2 5.4 5.6 11.1 11.1A 11.2 11.4	
UN-04112	6.1	UN-05027	13.5 13.5D		UN-10055	2.1	
UN-04113	6.1	UN-05028	13.5 13.5D		UN-10056	2.1	
UN-04114	6.1	UN-05029	13.3 13.3D 13.4 13.4D	UN-10057	8.1		
UN-04115	6.1	UN-05030	13.5 13.5D 13.6 13.7	UN-10058	8.1		
UN-04116	6.1	UN-05046	13.1 13.1D 13.2 13.2D	UN-10059	1.1 5.1 5.3 11.1 11.1A 11.2 11.4		
UN-04117	6.1	UN-05054	13.12 13.13		UN-10060	1.1 5.2 5.4 5.6 11.1 11.1A 11.2 11.4	
UN-04118	6.1	UN-05055	9.1 9.2 9.3 13.6 13.7 13.9 13.12		UN-10062	1.2	
UN-04119	6.1	UN-05059	13.3 13.3D 13.4 13.4D 13.7	UN-10063	1.1 1.4D		
UN-04120	6.1	UN-05065	13.9	UN-10064	11.1		
UN-04121	6.1	UN-05067	1.3 1.6D				
UN-04122	17.3 17.4						
UN-04123	17.3 17.4						
UN-04124	17.3 17.4						
UN-05000	13.8 13.12 17.1 17.2 17.3 17.4						

Parts Index

Item	Assembly	Item	Assembly	Item	Assembly	Item	Assembly
UN-10071	8.1	UN-10188	9.1 9.2	UN-10296	9.2 9.3	UN-10411	17.1 17.2 17.3 17.4
UN-10072	8.1	UN-10201	9.1 9.2	UN-10297	13.1 13.1D 13.2 13.2D	UN-10414	17.1 17.2
UN-10075	7.3	UN-10203	9.1	UN-10300	7.1 7.2 7.4D 7.5D	UN-10419	2.1
UN-10078	7.3	UN-10205	1.1 7.3	UN-10301	7.1 7.4D	UN-10420	3.1 3.1A
UN-10080	9.1	UN-10206	1.1 7.3	UN-10302	7.1 7.2 7.4D 7.5D	UN-10425	3.1 3.1A
UN-10098	9.1	UN-10231	1.1	UN-10303	7.1 7.2 7.4D 7.5D	UN-10430	3.2 3.2A 3.3 3.3A 3.4 3.4A 3.5 3.5A
UN-10105	9.1 9.2 9.3	UN-10232	1.1	UN-10304	7.3		UN-10435
UN-10109	1.1 1.5D	UN-10233	1.1	UN-10310	4.1 4.3 4.5	UN-10437	
UN-10110	1.1 1.5D	UN-10234	1.1	UN-10318	4.2 4.4 4.6	UN-10440	13.3 13.3D 13.4 13.4D
UN-10111	1.1 1.5D	UN-10235	1.1	UN-10320	4.1 4.5	UN-10445	13.3 13.3D 13.4 13.4D
UN-10115	9.1	UN-10236	1.1	UN-10325	4.2 4.6	UN-10449	13.6 13.7
UN-10120	3.1 3.1A	UN-10237	1.1	UN-10327	4.1 4.3	UN-10452	12.1 12.2 12.3 12.4 12.5
UN-10130	3.1 3.1A	UN-10238	1.1	UN-10332	4.2 4.4	UN-10454	12.1
UN-10133	9.3	UN-10239	1.1	UN-10333	4.1 4.3	UN-10455	7.3 12.1
UN-10135	3.2 3.2A 3.4 3.4A 3.6D	UN-10240	3.1 3.2 3.3 3.4 3.5	UN-10337	4.2 4.4	UN-10460	7.3 12.1
UN-10145	3.3 3.3A 3.5 3.5A	UN-10241	3.1 3.2 3.3 3.4 3.5	UN-10338	4.1 4.3	UN-10465	11.3
UN-10150	9.1	UN-10246	11.1 11.1A 11.4	UN-10343	3.7D 4.1 4.2 4.3 4.4 4.5 4.6	UN-10470	11.3
UN-10155	9.1	UN-10259	1.1		UN-10344	4.1 4.2 4.5 4.6	UN-10471
UN-10157	9.1 9.2 9.3	UN-10264	1.1	UN-10345	4.2 4.6	UN-10472	11.2 11.3
UN-10158	9.1 9.2 9.3	UN-10266	4.1 4.2 4.3 4.4 4.5 4.6	UN-10346	4.2 4.4	UN-10474	12.1 12.2 12.3 12.4 12.5
UN-10159	9.1 9.2 9.3		UN-10270	9.1	UN-10347	11.3	UN-10475
UN-10160	9.1 9.2 9.3	UN-10281	9.1 9.2 9.3	UN-10348	11.3	UN-10476	11.3
UN-10161	9.1 9.2 9.3 11.3	UN-10284	9.1	UN-10350	7.3	UN-10477	8.1 11.2
UN-10162	1.5D 1.6D 9.1 9.2	UN-10287	1.4D 1.7D 1.8D 1.9D 9.1 9.2 9.3	UN-10351	7.3	UN-10478	11.3
UN-10163	9.1 9.2 9.3		UN-10288	9.1 9.2 9.3	UN-10385	17.1 17.2	UN-10479
UN-10164	9.1 9.2 9.3	UN-10290	1.4D 1.5D 1.7D 1.8D 1.9D 9.1 9.2 9.3	UN-10387	17.1 17.2	UN-10480	1.7D 1.8D 1.9D 4.1 4.2 4.3 4.4 4.5 4.6
	10.1 10.3 10.4 10.7		UN-10291	9.1 9.2 9.3	UN-10388		17.1 17.2
UN-10165	1.2	UN-10292	9.1 9.2 9.3	UN-10390	17.1 17.2	UN-10481	11.1 11.1A 11.4
UN-10174	1.1	UN-10293	1.4D 9.1 9.2 9.3	UN-10391	17.1	UN-10484	11.1
UN-10175	1.2	UN-10294	13.8	UN-10401	17.1	UN-10485	1.1 1.4D 1.7D 1.8D 1.9D 11.1 11.1A 11.2 11.4
UN-10178	1.2	UN-10295	14.1	UN-10405	17.1 17.2 17.4		
UN-10179	1.2			UN-10408	17.1 17.2 17.3 17.4		
UN-10180	9.1 9.2						
UN-10186	9.1 9.2						

Parts Index

Item	Assembly	Item	Assembly	Item	Assembly	Item	Assembly
UN-10488	14.2	UN-10577	7.1 7.2 7.4D 7.5D	UN-10660	10.1 10.2 10.5	UN-10724	17.1 17.2 17.3 17.4
UN-10489	14.2	UN-10579	7.1 7.2 7.4D 7.5D	UN-10661	10.1 10.2	UN-10725	17.1 17.2
UN-10497	9.1 9.2 9.3	UN-10581	7.1 7.2 7.4D 7.5D	UN-10662	10.1 10.2	UN-10726	17.1 17.2 17.3 17.4
UN-10499	4.1 4.2 4.3 4.4 4.5 4.6	UN-10585	7.1 7.4D	UN-10663	13.1 13.1D 13.2 13.2D 13.9	UN-10727	17.1 17.2 17.3 17.4
UN-10502	20.2	UN-10588	7.1	UN-10664	10.1	UN-10728	17.1 17.2 17.3 17.4
UN-10503	4.1 4.2 4.5 4.6	UN-10590	7.1	UN-10665	10.3 10.4	UN-10729	17.1 17.2 17.3 17.4
UN-10504	4.1 4.2 4.5 4.6	UN-10591	7.1	UN-10666	10.3 10.4	UN-10730	17.1 17.2
UN-10505	4.1 4.2 4.5 4.6	UN-10592	7.1	UN-10674	10.3	UN-10731	17.1 17.2
UN-10506	4.1 4.2 4.5 4.6	UN-10594	7.1	UN-10675	10.4	UN-10732	17.1 17.2
UN-10507	4.1 4.2 4.3 4.4 4.5 4.6	UN-10595	7.1	UN-10676	10.3	UN-10733	17.2 17.3 17.4
UN-10508	4.1 4.2 4.3 4.4 4.5 4.6	UN-10596	1.1 7.1 7.2	UN-10677	10.4	UN-10735	3.1 3.1A
UN-10509	1.1	UN-10599	12.1 12.2 12.3 12.4 12.5	UN-10678	7.1 7.2 7.4D 7.5D	UN-10738	3.1 3.1A
UN-10510	9.1 9.2 9.3	UN-10600	10.1	UN-10679	7.1 7.2	UN-10739	3.1 3.1A
UN-10511	9.1 9.2 9.3	UN-10601	10.1	UN-10682	10.1	UN-10740	3.1 3.1A
UN-10512	9.1 9.2 9.3	UN-10615	10.2	UN-10683	10.1	UN-10742	3.1 3.1A
UN-10513	9.1 9.2 9.3	UN-10616	10.2	UN-10684	10.2	UN-10750	11.1
UN-10514	8.1	UN-10630	10.1	UN-10685	10.2	UN-10752	7.1 7.2 7.4D 7.5D
UN-10520	1.1 1.5D	UN-10638	10.2	UN-10686	10.1	UN-10756	7.1 7.2 7.4D 7.5D
UN-10525	1.1 1.5D	UN-10640	10.1	UN-10687	10.1	UN-10757	7.1 7.4D
UN-10530	1.1 1.5D	UN-10641	10.2	UN-10688	10.2	UN-10761	7.1 7.4D
UN-10533	1.1 1.5D	UN-10646	10.2	UN-10689	10.2	UN-10763	7.1 7.4D
UN-10536	1.1	UN-10647	10.1	UN-10692	10.1	UN-10767	7.1 7.4D
UN-10540	7.1	UN-10651	10.1 10.2	UN-10697	10.1	UN-10770	7.1 7.4D
UN-10548	7.1	UN-10652	10.1 10.2	UN-10700	10.1	UN-10773	7.2 7.5D
UN-10550	7.1 7.2 7.4D 7.5D	UN-10653	10.1 10.2	UN-10702	10.1	UN-10780	2.1 8.1
UN-10555	7.1 7.2 7.4D 7.5D	UN-10654	10.1 10.2	UN-10705	17.1	UN-10781	2.1
UN-10557	7.1 7.2	UN-10655	9.1 9.2 9.3 10.1 10.3 10.4	UN-10712	17.1	UN-10782	2.1
UN-10559	7.1 7.2	UN-10656	9.1 9.2 9.3 10.1 10.3 10.4	UN-10715	17.1 17.2	UN-10783	2.1
UN-10560	1.1 7.1 7.2	UN-10657	10.1	UN-10719	17.1 17.2	UN-10784	8.1
UN-10570	7.1	UN-10658	10.1	UN-10720	17.1 17.2 17.3 17.4	UN-10785	8.1
UN-10574	7.1	UN-10659	10.1	UN-10721	17.1 17.2 17.3 17.4	UN-10786	2.1 8.1
				UN-10722	17.1 17.2 17.3 17.4	UN-10787	8.1
				UN-10723	17.1 17.2 17.3 17.4	UN-10790	2.1
						UN-10791	2.1

Parts Index

Item	Assembly	Item	Assembly	Item	Assembly	Item	Assembly
UN-10792	8.1	UN-10872	15.1	UN-10970	7.2	UN-11042	7.2 7.5D
UN-10793	8.1	UN-10873	15.1	UN-10973	7.2	UN-11043	7.2 7.5D
UN-10794	2.1 8.1	UN-10874	15.1	UN-10975	7.2	UN-11045	7.1 7.4D
UN-10796	9.1 9.2 9.3	UN-10877	15.1	UN-10978	7.2 7.5D	UN-11046	7.1 7.4D
UN-10797	13.2 13.2D	UN-10878	15.1	UN-10982	7.2 7.5D	UN-11048	14.1 14.1A
UN-10798	13.2 13.2D	UN-10879	15.1	UN-10983	7.2 7.5D	UN-11050	9.1 9.2 9.3
UN-10815	1.1	UN-10880	7.3	UN-10984	7.2 7.5D	UN-11051	9.1 9.2 9.3
UN-10816	1.1	UN-10881	7.3	UN-10985	11.3	UN-11057	16.1
UN-10832	15.3	UN-10888	16.1	UN-10988	7.2 7.5D 11.3	UN-11058	16.1
UN-10833	15.3	UN-10891	16.1	UN-10992	11.3	UN-11059	16.1
UN-10834	15.3	UN-10893	16.1	UN-10995	11.3	UN-11060	16.1
UN-10835	15.1	UN-10895	16.1	UN-10996	8.1	UN-11075	10.4
UN-10837	15.1 15.1A 15.1B 15.1C	UN-10900	16.1	UN-10998	12.1	UN-11076	10.4
UN-10838	16.1	UN-10905	16.1	UN-11000	1.1	UN-11080	3.1A 3.2A 3.3A 3.4A 3.5A
UN-10840	7.3	UN-10906	16.1	UN-11004	1.1	UN-11081	3.1A 3.2A 3.3A 3.4A 3.5A
UN-10841	7.3	UN-10907	16.1	UN-11007	9.1 9.2 9.3	UN-11085	3.1A 3.2A 3.3A 3.4A 3.5A
UN-10847	15.1 15.1A 15.2	UN-10908	16.1	UN-11008	14.1	UN-11086	3.1A 3.2A 3.3A 3.4A 3.5A
UN-10848	15.1 15.1A	UN-10909	16.1	UN-11011	13.10	UN-11093	7.3
UN-10849	15.2 15.2A	UN-10910	16.1	UN-11012	13.10	UN-11095	15.1 15.1A 15.1B
UN-10850	15.1 15.1A	UN-10913	16.1	UN-11013	13.10	UN-11100	15.1 15.1A 15.1B
UN-10851	15.1 15.1A	UN-10914	16.1	UN-11015	9.1	UN-11103	15.1 15.1A
UN-10852	15.2	UN-10915	16.1	UN-11016	9.1	UN-11104	15.1 15.1A
UN-10853	15.2	UN-10916	16.1	UN-11017	9.1	UN-11105	15.3
UN-10854	15.2 15.2A	UN-10917	16.1	UN-11019	9.1	UN-11110	9.2
UN-10857	15.2 15.2A	UN-10918	16.1	UN-11020	7.1 7.4D	UN-11120	9.2 9.3
UN-10858	15.2 15.2A	UN-10919	16.1	UN-11022	7.1 7.4D	UN-11125	9.2 9.3
UN-10859	1.4D 15.2 15.2A 16.1	UN-10920	15.3	UN-11024	7.1 7.4D	UN-11129	9.2
UN-10860	15.2 15.2A	UN-10938	15.3	UN-11026	7.1 7.4D	UN-11132	9.2
UN-10861	15.1	UN-10942	15.3	UN-11030	7.2 7.5D	UN-11134	9.2
UN-10862	15.1 15.1A 15.1B 15.1C	UN-10954	15.3	UN-11031	7.2 7.5D	UN-11136	9.2
UN-10863	15.1 15.1A 15.1B 15.1C	UN-10960	7.2	UN-11033	7.2 7.5D		
UN-10864	15.1 15.1A	UN-10964	7.2	UN-11035	7.2 7.5D		
UN-10865	15.1 15.1A	UN-10966	1.8D 7.2 7.5D	UN-11037	7.2 7.5D		
UN-10868	15.1	UN-10968	1.8D 7.2 7.5D	UN-11039	7.2 7.5D		

Parts Index

Item	Assembly	Item	Assembly	Item	Assembly	Item	Assembly
UN-11138	9.2 9.3	UN-11340	1.1 7.1 7.2	UN-11467	10.3 15.3	UN-11560	10.1
UN-11140	9.2	UN-11349	1.1 7.1 7.2	UN-11468	15.1A 15.1B 15.1C	UN-11561	10.1
UN-11150	9.2	UN-11351	7.1 7.4D	UN-11471	15.1A 15.1B 15.1C	UN-11566	10.1
UN-11154	9.2	UN-11354	7.1 7.4D	UN-11473	15.3	UN-11567	10.1
UN-11158	9.2 9.3	UN-11356	1.9D 7.1 7.4D	UN-11480	15.3	UN-11568	10.1
UN-11159	9.2 9.3 10.4	UN-11358	1.9D 7.1 7.4D	UN-11485	17.2	UN-11569	10.1
UN-11160	9.2 9.3 10.4	UN-11362	17.1 17.2	UN-11488	17.2	UN-11570	1.3
UN-11165	10.4	UN-11363	1.1	UN-11490	15.1A 15.1B 15.1C 16.1	UN-11576	1.3 1.6D
UN-11166	10.4	UN-11364	7.1 7.2 7.4D 7.5D	UN-11494	15.1A 16.1	UN-11580	1.3
UN-11167	10.4	UN-11365	1.1 7.1 7.2	UN-11495	15.1A 15.1B 15.1C	UN-11582	1.3 1.6D
UN-11168	10.4	UN-11371	9.1	UN-11498	15.1A	UN-11585	1.3 1.6D
UN-11171	10.4	UN-11372	9.1	UN-11499	15.1A 16.1	UN-11586	1.3 1.6D
UN-11172	10.4	UN-11373	9.1	UN-11500	17.2 17.4	UN-11587	1.3 1.6D
UN-11176	15.1A	UN-11374	9.1	UN-11502	17.2 17.4	UN-11590	1.3 1.6D
UN-11177	15.2	UN-11380	1.4D 1.7D 1.8D 1.9D 7.3	UN-11503	17.2 17.3 17.4	UN-11592	1.6D
UN-11178	15.2		UN-11381	1.4D 1.7D 1.8D 1.9D 7.3	UN-11510	11.3	UN-11612
UN-11180	7.3	UN-11387		3.6D	UN-11514	11.3	
UN-11181	7.3	UN-11388	3.6D	UN-11516	7.3 12.1	UN-11619	15.1A 15.1B 15.1C 16.1
UN-11185	15.1A 15.1B	UN-11392	1.4D	UN-11518	7.3 12.1	UN-11650	10.6
UN-11190	15.1A 15.1B	UN-11433	1.4D	UN-11525	7.2 7.5D	UN-11680	1.4D
UN-11193	10.1	UN-11440	1.4D	UN-11528	7.2 7.5D	UN-11685	1.4D
UN-11195	9.2 9.3 10.4	UN-11448	1.7D 1.8D 1.9D	UN-11531	13.3 13.3D	UN-11689	1.4D
UN-11199	9.2 9.3	UN-11449	1.4D	UN-11534	14.1A	UN-11690	1.4D
UN-11220	1.5D	UN-11454	3.6D 3.7D	UN-11535	17.2 17.3 17.4	UN-11695	1.4D
UN-11250	1.5D 1.6D	UN-11455	3.6D 3.7D	UN-11539	1.4D 2.1	UN-11697	1.4D
UN-11280	1.4D	UN-11456	3.6D 3.7D	UN-11540	14.2A	UN-11698	1.4D
UN-11282	1.4D 1.7D 1.8D 1.9D	UN-11457	15.1A 16.1	UN-11544	14.2A	UN-11700	1.4D
UN-11285	1.4D 1.7D 1.8D 1.9D	UN-11458	15.1A	UN-11545	14.2A	UN-11704	1.4D 1.7D 1.8D 1.9D 13.13
UN-11301	1.4D 1.7D 1.8D 1.9D	UN-11460	16.1	UN-11550	10.4		UN-11705
UN-11303	1.7D 1.8D 1.9D	UN-11462	16.1	UN-11554	10.4	UN-11712	1.4D
UN-11310	7.3	UN-11465	15.1A	UN-11555	1.4D 1.7D 1.8D 1.9D 2.1	UN-11716	1.4D
UN-11312	7.3	UN-11466	10.3 15.3		UN-11559	1.4D 1.7D 1.8D 1.9D 2.1	UN-11720

Parts Index

Item	Assembly	Item	Assembly	Item	Assembly	Item	Assembly
UN-11723	7.5D	UN-11875	10.7	UN-12026	12.1	UN-12124	10.3
UN-11725	7.5D	UN-11880	10.7	UN-12027	12.1	UN-12125	10.3
UN-11727	7.5D	UN-11885	10.7	UN-12030	15.1B 15.1C	UN-12126	10.4 15.3
UN-11729	7.5D	UN-11887	10.6	UN-12031	15.1B 15.1C	UN-12127	10.4 15.3
UN-11731	7.4D	UN-11888	10.6	UN-12032	15.1B 15.1C	UN-12128	10.4 15.3
UN-11733	7.4D	UN-11889	10.6	UN-12035	15.1B 15.1C	UN-12129	10.4 15.3
UN-11735	7.4D	UN-11890	10.7	UN-12036	15.1B 15.1C	UN-12132	15.2A
UN-11737	7.4D	UN-11900	10.7	UN-12037	15.1B 15.1C	UN-12133	15.2A
UN-11739	13.5D	UN-11905	10.7	UN-12040	9.3	UN-12135	15.2A
UN-11740	1.4D	UN-11907	10.7	UN-12055	9.3	UN-12140	15.2A
UN-11741	1.4D	UN-11910	10.7	UN-12057	9.3	UN-12145	15.2A
UN-11742	1.4D	UN-11911	10.7	UN-12058	9.3	UN-12158	9.3
UN-11743	1.4D	UN-11918	10.7	UN-12060	9.3	UN-12160	9.3
UN-11746	1.4D	UN-11920	7.3	UN-12061	9.3	UN-12165	9.3
UN-11748	1.4D	UN-11921	7.3	UN-12065	9.3	UN-12168	9.3
UN-11756	1.4D	UN-11925	7.3 15.2A	UN-12070	2.1 8.1	UN-12169	9.3
UN-11758	1.4D 1.7D 1.8D 1.9D	UN-11926	7.3 15.2A	UN-12078	1.1 1.4D	UN-12170	16.1
UN-11760	1.4D	UN-11933	7.3 16.1	UN-12080	12.1	UN-12175	16.1
UN-11798	9.3 13.1 13.1D 13.2 13.2D	UN-11934	7.3 16.1	UN-12081	12.1	UN-12178	16.1
UN-11799	10.7	UN-11945	9.3	UN-12083	12.1	UN-12179	16.1
UN-11800	10.5	UN-11950	9.3	UN-12084	12.1	UN-12180	15.2A
UN-11801	10.5	UN-11951	9.3	UN-12085	9.3	UN-12181	15.2A
UN-11825	10.5	UN-11970	8.1	UN-12095	9.3	UN-12182	15.2A
UN-11827	10.5	UN-11974	8.1	UN-12100	9.3	UN-12183	15.2A
UN-11830	10.6	UN-11975	8.1	UN-12105	15.1B 15.1C	UN-12184	15.2A
UN-11831	10.6	UN-11980	10.5	UN-12106	15.1B 15.1C	UN-12190	13.1
UN-11838	10.6	UN-11983	10.5	UN-12107	15.1B 15.1C	UN-12196	13.13
UN-11839	10.6	UN-12005	10.7	UN-12108	15.1B 15.1C	UN-12220	1.5D
UN-11840	10.6	UN-12010	10.7	UN-12110	15.1B	UN-12227	3.7D
UN-11841	10.6	UN-12015	10.7	UN-12113	15.1B 15.1C	UN-12228	3.7D
UN-11843	10.5	UN-12017	10.4 10.7	UN-12114	15.1B 15.1C	UN-12260	15.1B 15.1C
UN-11844	10.5	UN-12020	10.6	UN-12115	15.1B 15.1C	UN-12261	15.1B 15.1C
UN-11845	10.7	UN-12021	10.6	UN-12118	10.4	UN-12262	15.1B 15.1C
		UN-12025	12.1	UN-12121	10.4	UN-12263	15.1B 15.1C

Parts Index

Item	Assembly	Item	Assembly	Item	Assembly	Item	Assembly
UN-12265	15.1B	UN-12414	4.3	UN-12589	1.8D 1.9D	UN-12737	17.3 17.4
UN-12266	15.1B	UN-12417	1.7D	UN-12592	1.8D 1.9D	UN-12738	17.3 17.4
UN-12267	15.1B	UN-12421	1.7D	UN-12619	13.13	UN-12740	17.3 17.4
UN-12280	12.2 12.3 12.4 12.5	UN-12424	1.7D	UN-12620	13.13	UN-12744	17.3 17.4
UN-12281	12.2 12.3 12.4 12.5	UN-12427	1.7D	UN-12621	13.13	UN-12753	17.3 17.4
UN-12282	12.2 12.3 12.4 12.5	UN-12430	1.7D	UN-12622	13.13	UN-12754	17.3 17.4
UN-12283	12.2 12.3 12.4 12.5	UN-12431	1.7D	UN-12623	13.13	UN-12755	17.3 17.4
UN-12287	1.1 1.4D 1.8D 11.2	UN-12479	15.1C	UN-12624	13.13	UN-12756	17.3 17.4
UN-12291	1.1 1.4D 11.2	UN-12481	15.1C	UN-12625	13.13	UN-12757	17.3 17.4
UN-12292	15.1B 15.1C	UN-12486	15.1C	UN-12626	13.13	UN-12760	17.4
UN-12295	15.1B 15.1C	UN-12487	1.7D 1.8D 1.9D	UN-12627	13.13	UN-12763	17.4
UN-12303	15.1B 15.1C	UN-12535	1.7D 1.8D 1.9D	UN-12628	13.13	UN-12872	17.3 17.4
UN-12304	15.1B 15.1C		7.1 7.2 7.4D 7.5D	UN-12629	13.13	UN-12873	17.3 17.4
UN-12310	13.1	UN-12536	1.7D 1.8D 1.9D	UN-12630	13.13	UN-12874	17.3 17.4
UN-12315	13.1 13.6		7.1 7.2 7.4D 7.5D	UN-12631	13.13	UN-12875	17.3 17.4
UN-12316	13.1 13.6	UN-12537	7.1 7.4D	UN-12632	13.13	UN-13068	17.3 17.4
UN-12317	13.1 13.3	UN-12538	7.1 7.4D	UN-12633	13.13	UN-13074	17.3 17.4
UN-12318	13.1 13.3	UN-12539	7.1 7.4D	UN-12634	13.13	UN-13075	17.3 17.4
UN-12319	13.1 13.6	UN-12540	7.1 7.4D	UN-12635	13.13	UN-13125	17.3 17.4
UN-12320	13.1 13.6	UN-12541	7.1 7.2 7.4D 7.5D	UN-12636	13.13	UN-13181	17.3
UN-12323	13.1 13.3	UN-12542	7.1 7.2 7.4D 7.5D	UN-12637	13.13	UN-13185	17.3
UN-12330	1.7D 1.8D 1.9D	UN-12543	7.1 7.2 7.4D 7.5D	UN-12638	13.13	UN-13186	17.3
UN-12332	1.7D 1.8D 1.9D	UN-12544	7.1 7.2 7.4D 7.5D	UN-12640	4.5	UN-15031	1.3 1.6D 13.12 13.13
UN-12333	1.7D 1.8D 1.9D	UN-12545	7.1 7.3	UN-12645	7.4D	UN-15081	1.3 1.6D 13.12
UN-12340	1.7D 1.8D 1.9D	UN-12546	7.1 7.3	UN-12646	7.4D	UN-15085	13.8
UN-12355	1.7D 1.8D 1.9D	UN-12547	7.2 7.5D	UN-12647	7.1 7.4D	UN-15126	10.7
UN-12364	1.7D	UN-12548	7.2 7.5D	UN-12648	7.1 7.4D	UN-15170	1.3 13.12 13.13
UN-12380	1.7D	UN-12565	1.7D	UN-12665	4.6	UN-15198	1.3 1.6D 13.12
UN-12387	1.7D 1.8D 1.9D	UN-12570	5.7	UN-12712	17.3	UN-15220	7.2 7.5D
UN-12390	1.7D	UN-12571	1.7D	UN-12720	17.3	UN-15222	7.2 7.5D
UN-12392	1.7D	UN-12572	1.7D 1.8D 1.9D	UN-12723	17.3 17.4	UN-15224	7.2 7.5D
UN-12400	3.7D	UN-12578	1.7D	UN-12727	17.3 17.4	UN-15226	7.2 7.5D
UN-12405	1.7D	UN-12582	1.8D 1.9D	UN-12730	17.3 17.4	UN-15228	7.2 7.5D
UN-12406	1.7D	UN-12587	3.7D	UN-12735	17.3 17.4	UN-15230	7.2 7.5D

ScanStone

POTATO SYSTEMS

RGS Forfar Ltd. East Mains of Burnside,
Forfar, Angus, Scotland DD8 2RX

tel & fax: 0044 (0) 1307 818994

e-mail: rgssales@btconnect.com