

ScanStone

SOIL PREPARATION SYSTEMS



SEPARATOR PARTS LIST 2012

Every effort is made to ensure the data contained in this manual is as accurate and as up to date as possible at time of going to print. RGS Forfar Ltd. however reserves the right to make changes or add improvements to its range of products at any time without notice.

December 2011

Parts List

Assembly Groups

- 1.1 - Front End - Rotor Type
- 1.2 - Rotor
- 1.3 - Hydraulic Sliding Drawbar
- 1.4D - Front End - Diablo Type (up to 2008)
- 1.5D - Standard Drawbar - (Diablo machines)
- 1.6D - Hydraulic Sliding Drawbar - (Diablo machines)
- 1.7D - Front End - 1340 Star Diablo (2009 - 2010)
- 1.8D - Front End - 1540 Star Diablo (2009 - 2010)
- 1.9D - Front End - 1540 Web Diablo (2009 - 2010)
- 1.10 - Open Front End - Star (2011 onwards)
- 1.11 - Open Front End - Web (2011 onwards)
- 1.12 - Diablo Roller

- 2.1 - Rotor Drive Gearbox and Pedestal

- 3.1 - Full Width Share - Yr. 2004
- 3.1A - Full Width Share - 2005 onwards
- 3.2 - Narrow type Multiblade Share - (Narrow machines) - Yr. 2004
- 3.2A - Narrow type Multiblade Share - (Narrow machines) - 2005 onwards
- 3.3 - Narrow type Multiblade Share - (Wide machines) - Yr. 2004
- 3.3A - Narrow type Multiblade Share - (Wide machines) - 2005 onwards
- 3.4 - Wide type Multiblade Share - (Narrow machines) - Yr. 2004
- 3.4A - Wide type Multiblade Share - (Narrow machines) - 2005 onwards
- 3.5 - Wide type Multiblade Share - (Wide machines) - Yr. 2004
- 3.5A - Wide type Multiblade Share - (Wide machines) - 2005 onwards
- 3.6D - Wide type Multiblade Share - (Diablo machines - up to 2008)
- 3.7D - Multiblade Share - (Diablo machines - (2009 - 2010)
- 3.8 - Share Configurations (Open Fronted machines 1250 - 1450 wide) - 2011 onwards
- 3.9 - Share Configurations (Open Fronted machines 1450 - 1650 wide) - 2011 onwards

- 4.1 - Roller Carrier Frames (Narrow Multiweb machines)
- 4.2 - Roller Carrier Frames (Wide Multiweb machines)
- 4.3 - Roller Carrier Frames (Narrow Star machines)
- 4.4 - Roller Carrier Frames (Wide Star machines)
- 4.5 - Roller Carrier Frames (5215W machines)
- 4.6 - Roller Carrier Frames (5217W Star machines)
- 4.7 - Roller Carrier Frames - Inboard Rollers (4215W machines)
- 4.8 - Roller Carrier Frames - Inboard Rollers (5215W machines)
- 4.9 - Roller Carrier Frames (Narrow Multiweb machines - Inboard Rollers, Digger Position only)
- 4.10 - Roller Carrier Frames (Narrow Star machines - Inboard Rollers, Digger Position only)
- 4.11 - Roller Carrier Frames (5215W machines - Inboard Rollers, Digger Position only)

- 5.1 - Shafts & Sprockets (Narrow Multiweb machines)
- 5.2 - Shafts & Sprockets (Wide Multiweb machines)
- 5.3 - Shafts & Sprockets (Narrow Star machines)
- 5.4 - Shafts & Sprockets (Wide Star machines)
- 5.5 - Shafts & Sprockets (5215W machines)
- 5.6 - Shafts & Sprockets (5217W machines)
- 5.7 - Shafts & Sprockets (4213/5-SD machines)

- 6.1 - Webs (Up to 2010)
- 6.1A - Webs (2011 onwards)
- 6.1B - Webs (2011 onwards)
- 6.2 - Web Accessories (Up to 2005)
- 6.2A - Web Accessories - High Strength Joining Clip System
- 6.3 - Roller Assemblies
- 6.4 - Web Cleaners

- 7.1 - Doors, Guards & Wear Plates (Multiweb machines)
- 7.2 - Doors, Guards & Wear Plates (Star machines)
- 7.3 - Main Sides
- 7.4D - Doors, Guards etc. (Multiweb mach's with Diablo / Open Front)
- 7.5D - Doors, Guards etc. (Star machines with Diablo / Open Front)

- 8.1 - Web Drive Gearbox & Support Bridge

- 9.1 - Axle Assembly (Yr. 2004)
- 9.2 - Axle Assembly (Yr. 2005)
- 9.3 - Axle Assembly (2006 - 2009)
- 9.4 - Hub Assembly
- 9.5 - Axle Assembly (2010 onwards)

- 10.1 - Cross Conveyor (Long Section)
- 10.2 - Cross Conveyor (Short Section)
- 10.3 - Cross Conveyor Supports and Deflectors (Yr. 2004)
- 10.4 - Cross Conveyor Supports and Deflectors (2005 onwards)
- 10.5 - Loading Elevator Frame
- 10.6 - Loading Elevator Rollers and Web
- 10.7 - Loading Elevator Lifting Frame and Supports

- 11.1 - Pulleys & Drive Belts (Multiweb machines - Yr. 2004)
- 11.1A - Pulleys & Drive Belts (Multiweb machines - 2005 onwards)
- 11.2 - Pulleys & Drive Belts (Star machines)
- 11.3 - Pulleys & Drive Belt Tensioners (Star machines)
- 11.4 - Pulleys & Drive Belts (5 Web machines)

- 12.1 - Star Unit
- 12.2 - Drop Out Star Shafts (40mm Spacings)
- 12.3 - Drop Out Star Shafts (45mm Spacings)
- 12.4 - Drop Out Star Shafts (50mm Spacings)
- 12.5 - Drop Out Star Shafts (55mm Spacings)

- 13.1 - Hydraulic General Arrangement (Multiweb machines)
- 13.1D - Hydraulic G. A. (Multiweb mach's with Diablo - up to 2008)
- 13.2 - Hydraulic General Arrangement (Star machines)
- 13.2D - Hydraulic G. A. (Star machines with Diablo - up to 2008)
- 13.3 - Front Manifold General Arrangement (Multiweb machines)
- 13.3D - Front Manifold G. A. (Multiweb machines with Diablo - up to 2008)
- 13.4 - Front Manifold General Arrangement (Star machines)
- 13.4D - Front Manifold G. A. (Star machines with Diablo - up to 2008)
- 13.5 - Front Manifold Fittings
- 13.5D - Front Manifold - (Diablo machines - up to 2008)
- 13.6 - Rear Manifold - (Multiweb machines)
- 13.7 - Rear Manifold - (Star machines)
- 13.8 - Stone Hopper Hydraulic Arrangement
- 13.9 - Loading Elevator Hydraulics
- 13.10 - Auto Grease System
- 13.11 - Hose & Pipework - (Diablo Machines - up to 2008)
- 13.12 - Diablo Manifold Fittings (up to 2008)
- 13.13 - Diablo Manifold Pipework (2009 onwards)
- 13.14 - Transport Suspension System
- 13.15 - Driven Scrubber Web Hydraulics (Multiweb machines 2010 onwards)
- 13.16 - Driven Scrubber Web Hydraulics (Star machines 2010 onwards)
- 13.17 - Hydraulic General Arrangement (Std. Open Head machines - 4 Web 2012 onwards)
- 13.18 - Front Manifold General Arrangement (Multiweb machines with Open Head 2012 onwards)
- 13.19 - Rear Manifold General Arrangement (2012 onwards)
- 13.20 - Proportional Valve Block Assembly (Spares & Seal Kits (2012 onwards)

- 14.1 - Electrical Wiring Loom (Yr. 2004)
- 14.1A - Electrical Wiring Loom (2005 - 2009)
- 14.1B - Electrical Wiring Loom (2010 onwards)
- 14.2 - Control Box (Yr. 2004)
- 14.2A - Control Box (2005 - 2010)
- 14.2B - Control Box (2011 onwards)
- 14.3 - Main Connection Box (Yr. 2004)
- 14.3A - Connection Boxes (Yr. 2005)
- 14.3B - Connection Boxes (Yr. 2006 - 2008)
- 14.3C - Connection Boxes (2009 onwards)
- 14.4 - Linear Sensors

- 15.1 - Rear Star Unit (Yr. 2004)
- 15.1A - Rear Star Unit (Yr. 2005)
- 15.1B - Rear Star Unit (2006 - 2007)
- 15.1C - Rear Star Unit (2008 onwards)
- 15.2 - Rear Star Unit Drives (up to 2005)
- 15.2A - Rear Star Unit Drives (2006 onwards)
- 15.3 - Stone Hopper

- 16.1 - Stone Rake

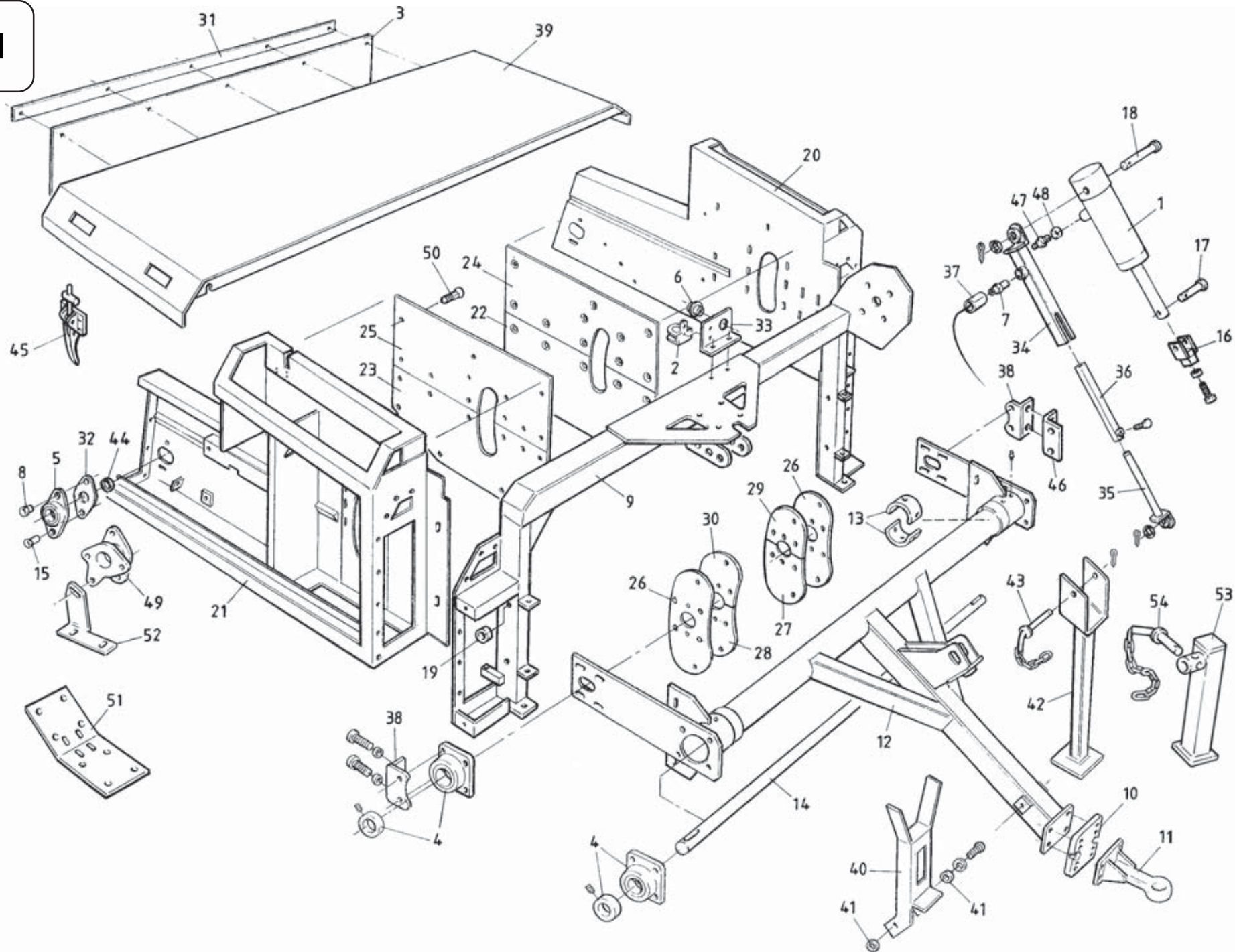
- 17.1 - Scrubber Web (Yr. 2004)
- 17.2 - Scrubber Web (2005 onwards)
- 17.3 - Driven Scrubber Web (Multiweb machines - 2010)
- 17.3A - Driven Scrubber Web (Multiweb machines - 2011 onwards)
- 17.4 - Driven Scrubber Web (Star machines - 2010)
- 17.4A - Driven Scrubber Web (Star machines - 2011 onwards)

- 18.1 - Web Drive Gearbox
- 18.2 - Rotor Drive Gearbox
- 18.3 - Clutch Assembly

- 19.1 - P.T.O. Shaft

- 20.1 - Decals - Identity (up to 2011)
- 20.1A - Decals - Identity (2012 onwards)
- 20.2 - Decals - Electrical / Hydraulic
- 20.2A - Decals - Electrical / Hydraulic (2012 onwards)
- 20.3 - Decals - Information / Warning

1.1



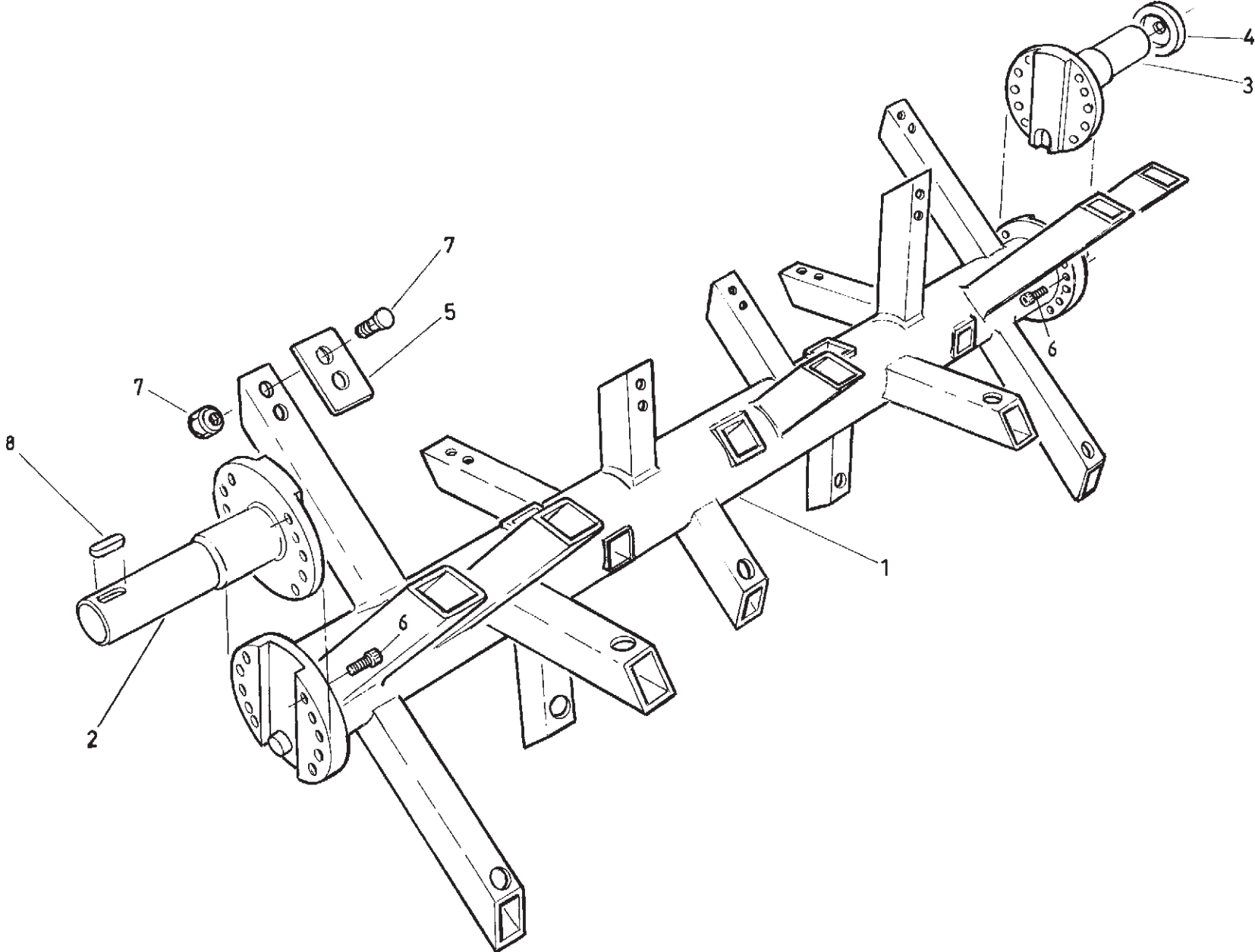
Assembly Group 1.1 - Front End - Rotor Type

Item	Description	Part No.	Qty.
1	Front Lift Ram	UN-00109	1
1A	Front Lift Ram Seal Kit	UN-00110	
2	Plug Holder	UN-00227	1
3	Rotor Flap (Narrow Machines)	UN-00229	1
3	Rotor Flap (Wide Machines)	UN-00230	1
4	4 Hole Bearing	UN-00234	4
5	2 Hole Bearing	UN-00247	2
6	Dust Cap (Yr. 2004)	UN-00580	1
7	Sensor	UN-00598	1
8	Bearing Reducer	UN-08014	2
9	Front Support Frame (Narrow Machines)	UN-10001	1
9	Front Support Frame (Wide Machines)	UN-10025	1
10	Drawbar Dropper Plate (optional)	UN-10023	1
11	Towing Eye	UN-10029	1
12	Drawbar (Narrow Machines)	UN-12525	1
12	Drawbar (Wide Machines)	UN-12530	1
13	Nylon Bush (pair)	UN-10048	2
14	Counter Shaft (Narrow Machines)	UN-10059	1
14	Counter Shaft (Wide Machines)	UN-10060	1
15	Long Bearing Bush	UN-10063	2
16	Adjuster Block	UN-10109	1
17	Ram Pin (Bottom)	UN-10110	1
18	Ram Pin (Top)	UN-10111	1
19	Rotor Stop	UN-10174	2
20	Digger Side LH (Yr. 2004)	UN-10205	1
20	Digger Side LH (2005 onwards)	UN-11315	1
21	Digger Side RH (Yr. 2004)	UN-10206	1
21	Digger Side RH (2005 onwards)	UN-11317	1
22	Lower Side Wear Plate LH	UN-10231	1
23	Lower Side Wear Plate RH	UN-10232	1
24	Upper Side Wear Plate LH	UN-10233	1
25	Upper Side Wear Plate RH	UN-10234	1
26	Slot Cover Backplate	UN-10235	2
27	Lower Wear Plate LH	UN-10236	1

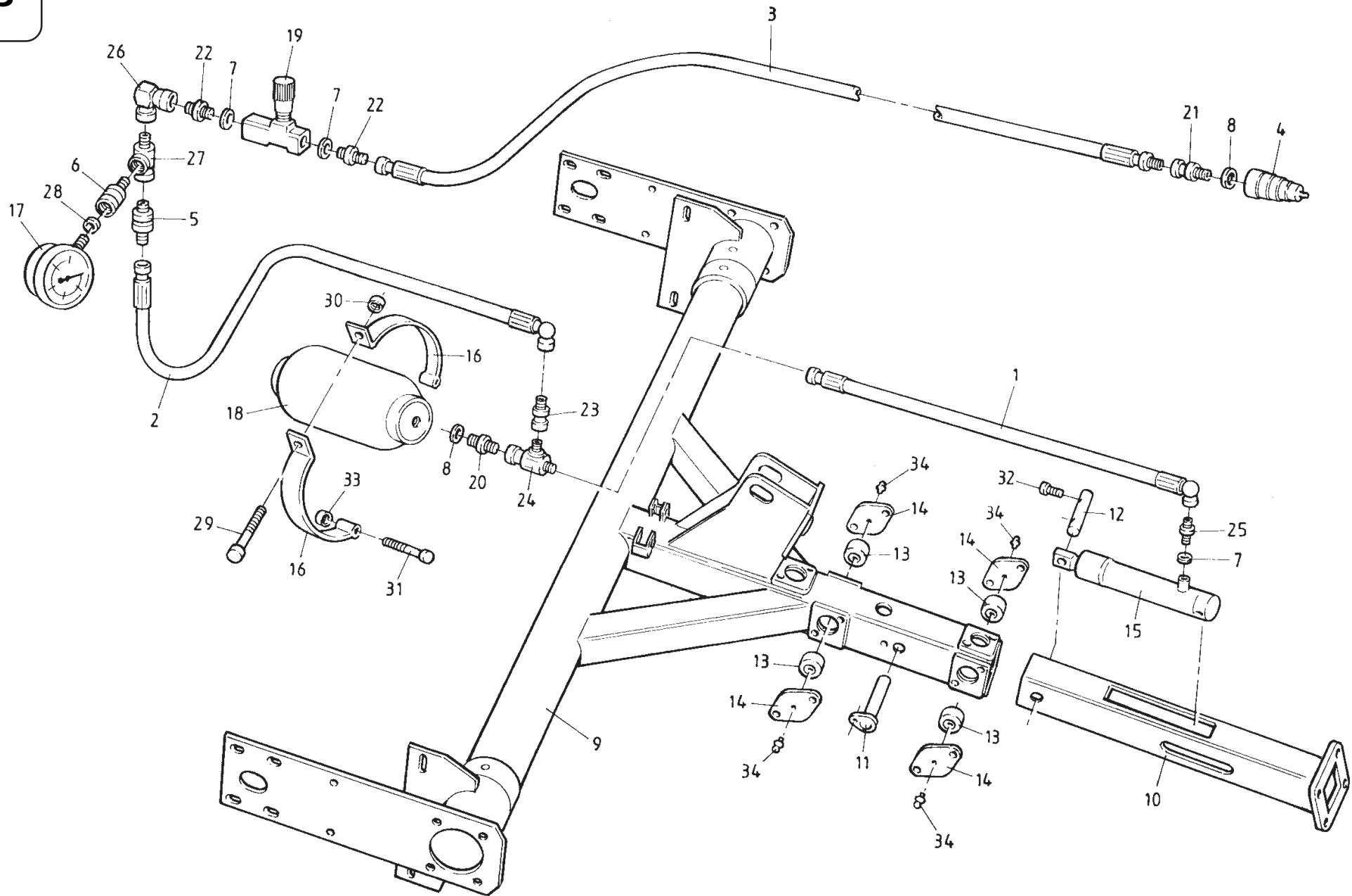
Item	Description	Part No.	Qty.
28	Lower Wear Plate RH	UN-10237	1
29	Upper Wear Plate LH	UN-10238	1
30	Upper Wear Plate RH	UN-10239	1
31	Clamp Strip (Narrow Machines)	UN-10259	1
31	Clamp Strip (Wide Machines)	UN-10264	1
32	Bearing Backplate	UN-10485	2
33	Plug Holder Bracket (Yr. 2004)	UN-10509	1
34	Sensor Tube	UN-10520	1
35	Sensor Slide	UN-10525	1
36	Setting Tube	UN-10530	1
37	Cable Shield	UN-10533	1
38	Rotor Belt Tensioner	UN-10536	2
39	Rotor Hood (Narrow Machines - Yr. 2004)	UN-10560	1
39	Rotor Hood (Narrow Machines - 2005 onwards)	UN-11340	1
39	Rotor Hood (Wide Machines - Yr. 2004)	UN-10596	1
39	Rotor Hood (Wide Machines - 2005 onwards)	UN-11365	1
40	P.T.O. Support (Yr. 2004)	UN-10815	1
41	Spacer (Yr. 2004)	UN-10816	2
42	Drawbar Stand (Up to 2008)	UN-11000	1
43	Stand Pin (Up to 2008)	UN-11004	1
44	Shaft Seal	UN-00223	2
45	Clamp	UN-11349	4
46	Tensioner Bracket	UN-11363	1
47	3/8" BSP MM Adapter	UN-05001	1
48	3/8" BSP Dowty Washer	UN-05101	1
49	Adjuster Extension Stub (Star Machines only)	UN-12287	1
50	Bolt - Countersunk Square M10 x 25 c/w Nut		A/R
51	Joint Stiffener Plate	UN-12078	2
52	Lock Bracket (Star Machines only)	UN-12291	1
53	Drawbar Stand (2009 onwards)	UN-12801	1
54	Stand Pin (2009 onwards)	UN-12807	1

A/R = As Required NI = Not Illustrated N/A = Not Applicable

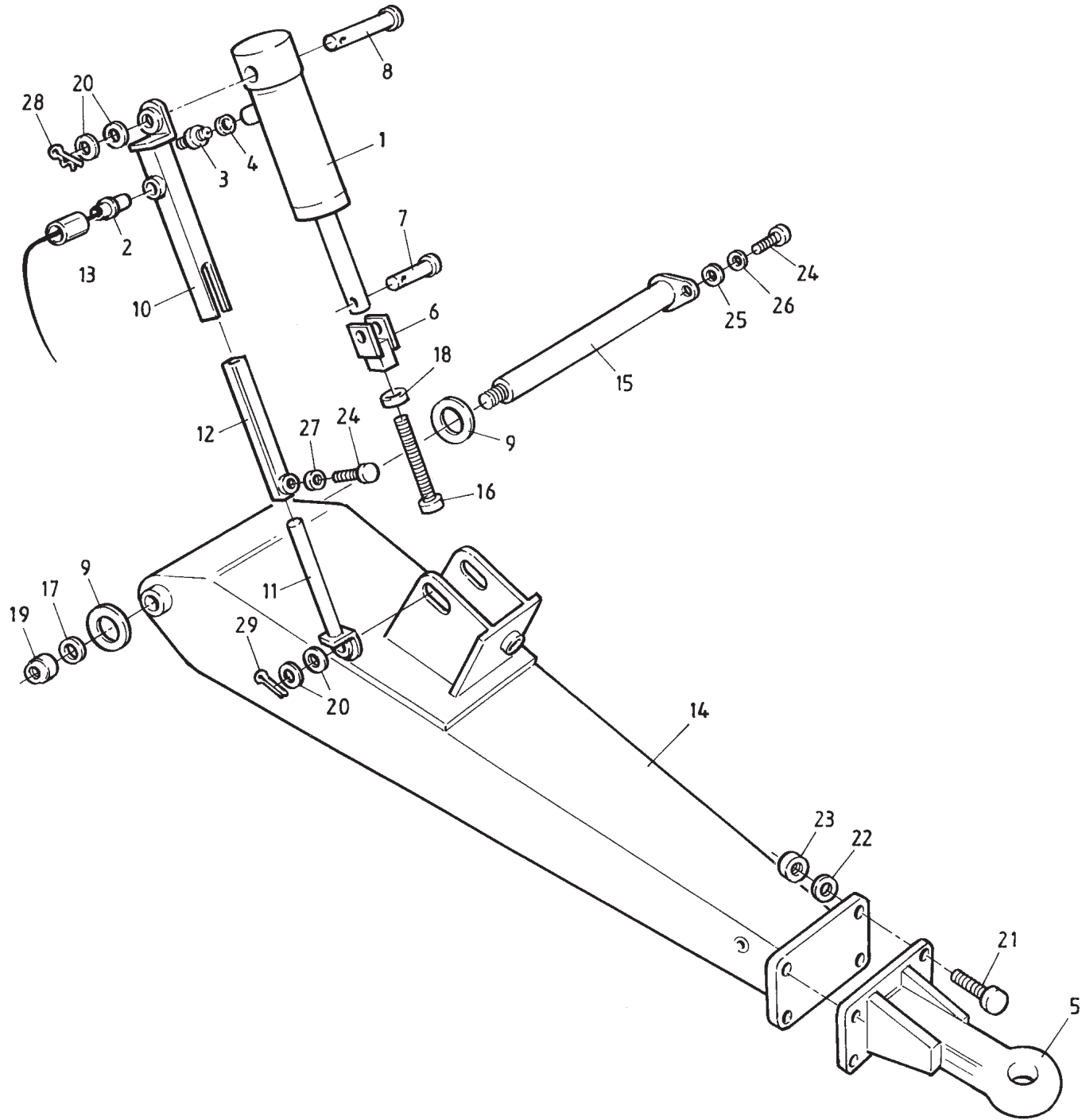
1.2



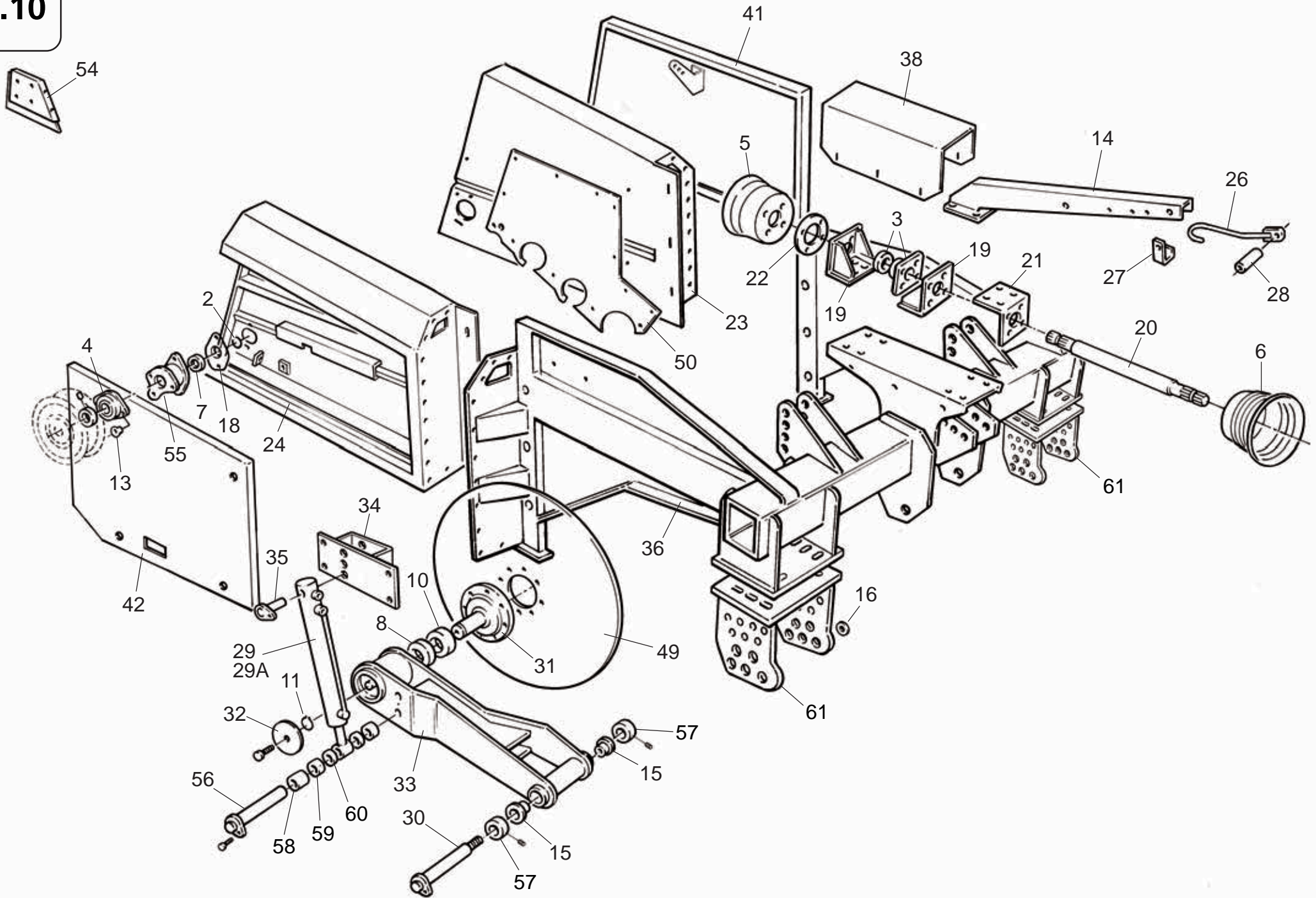
1.3



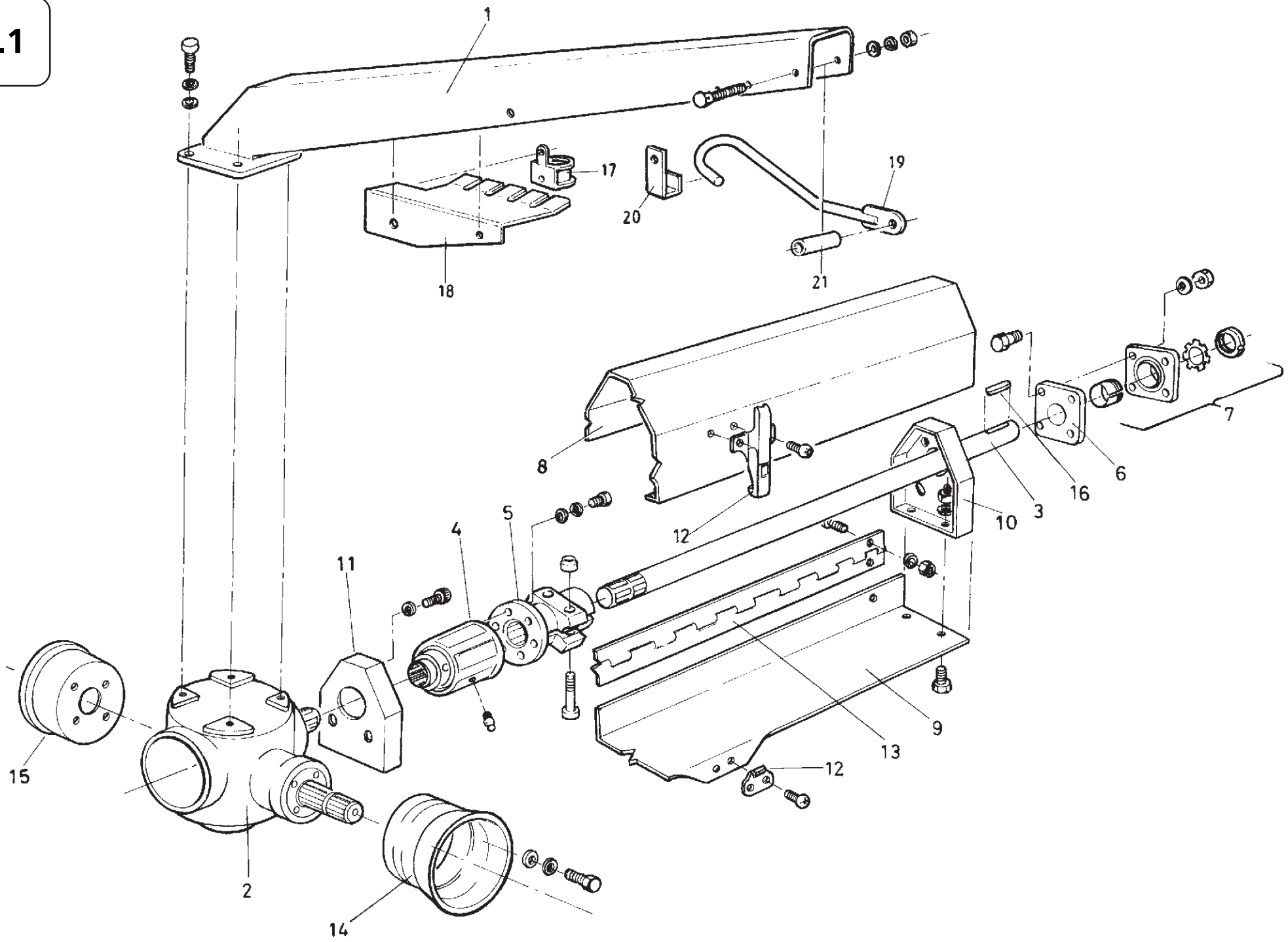
1.5D



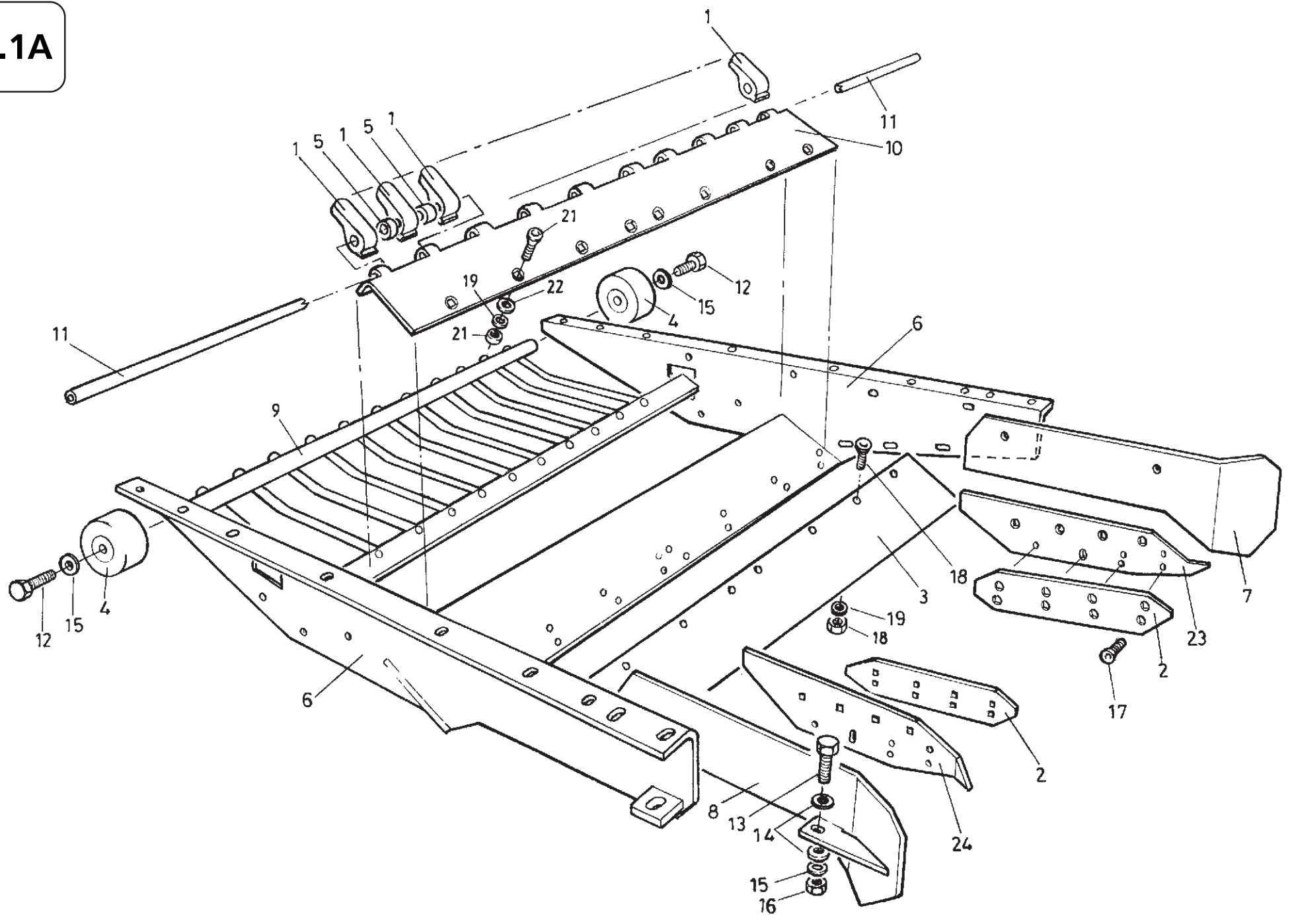
1.10



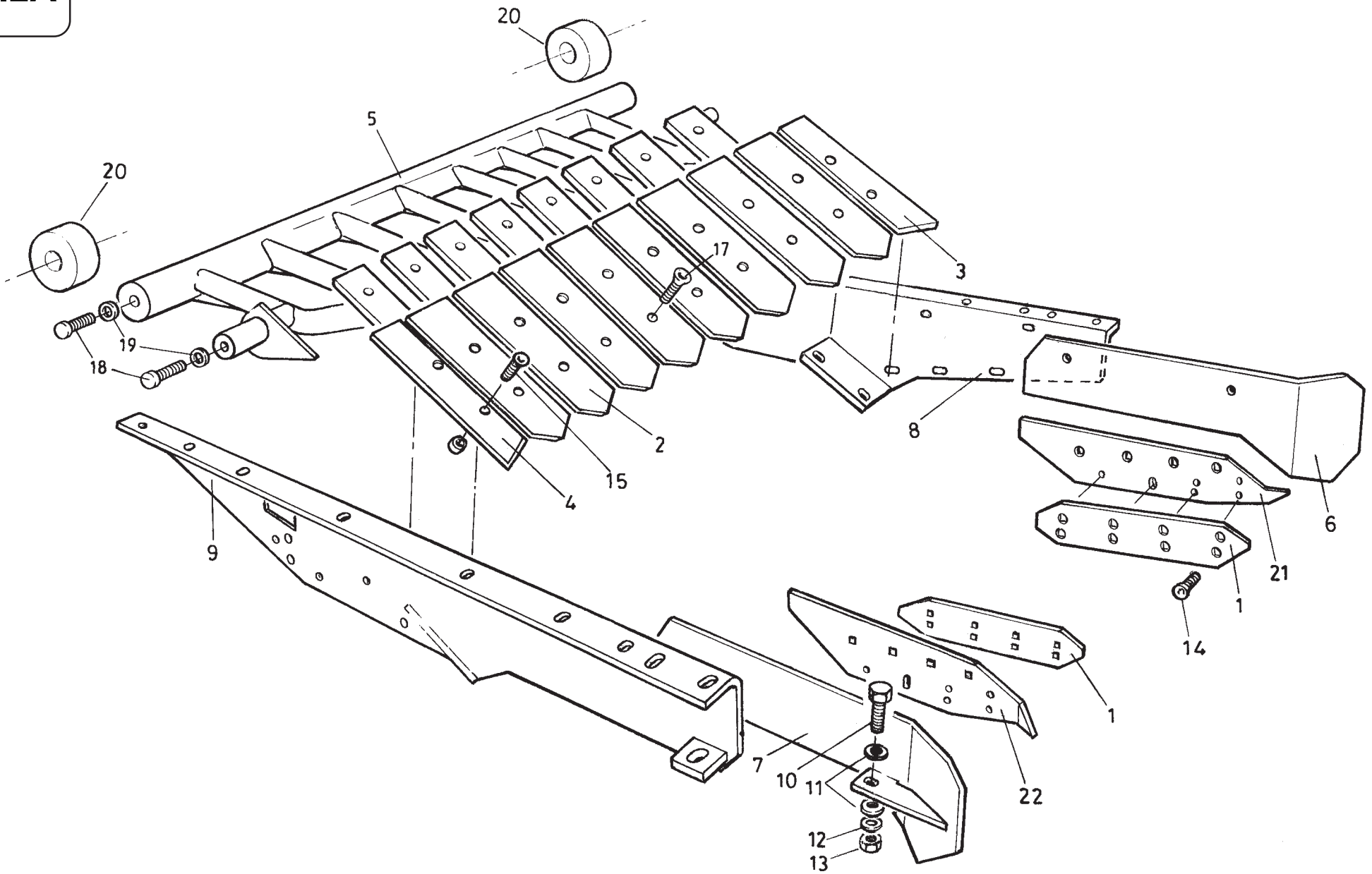
2.1



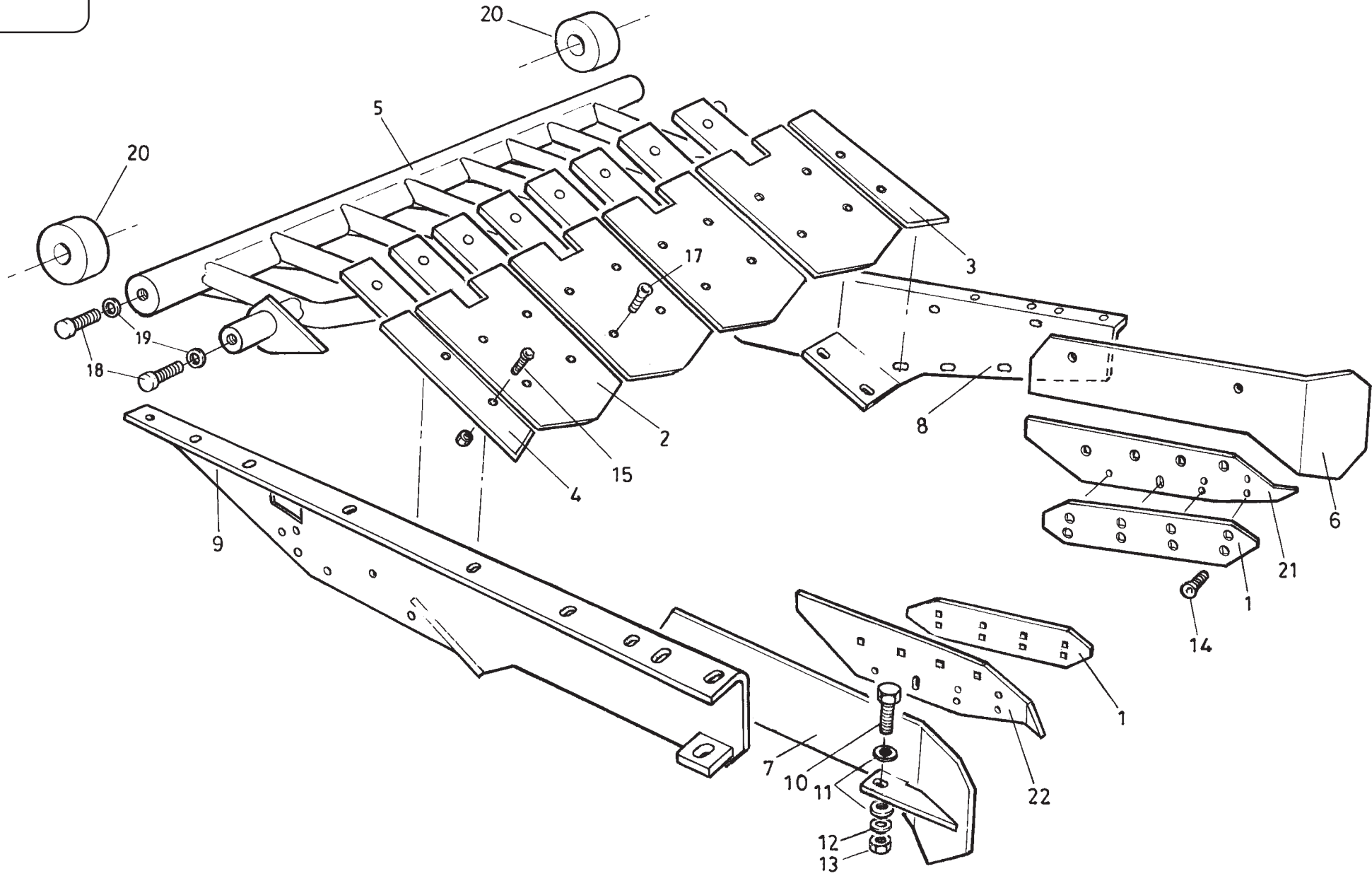
3.1A



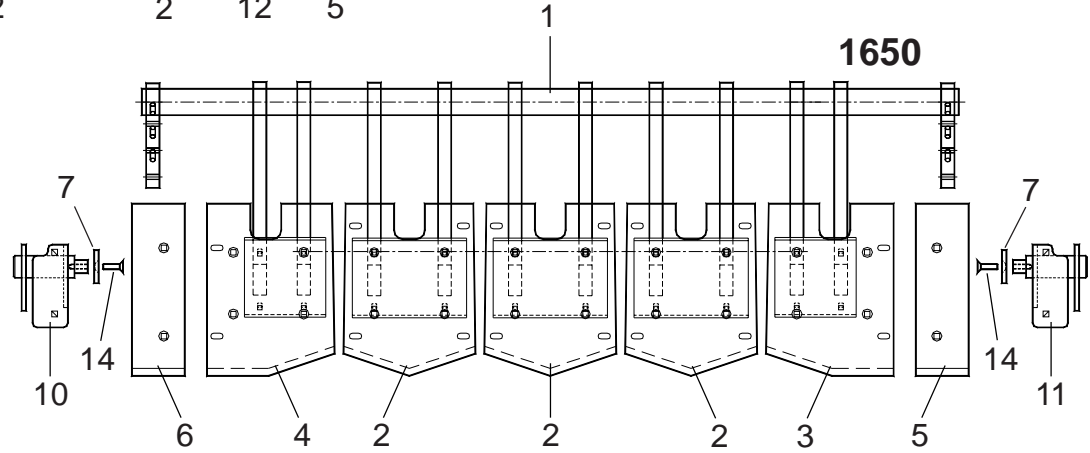
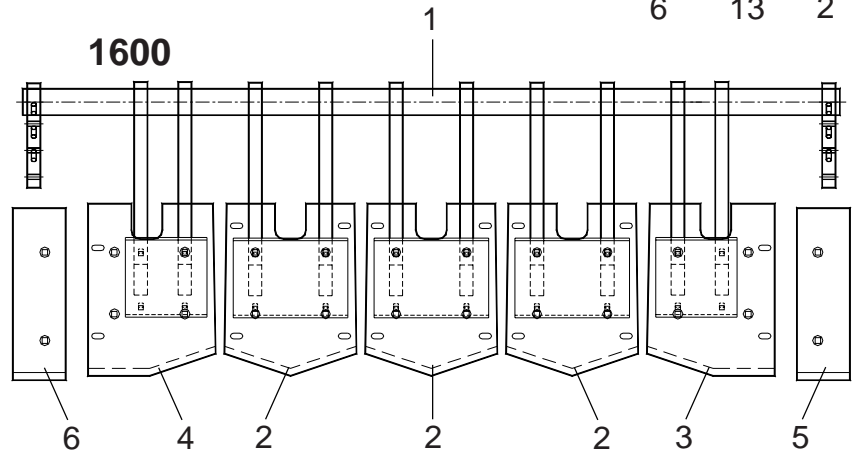
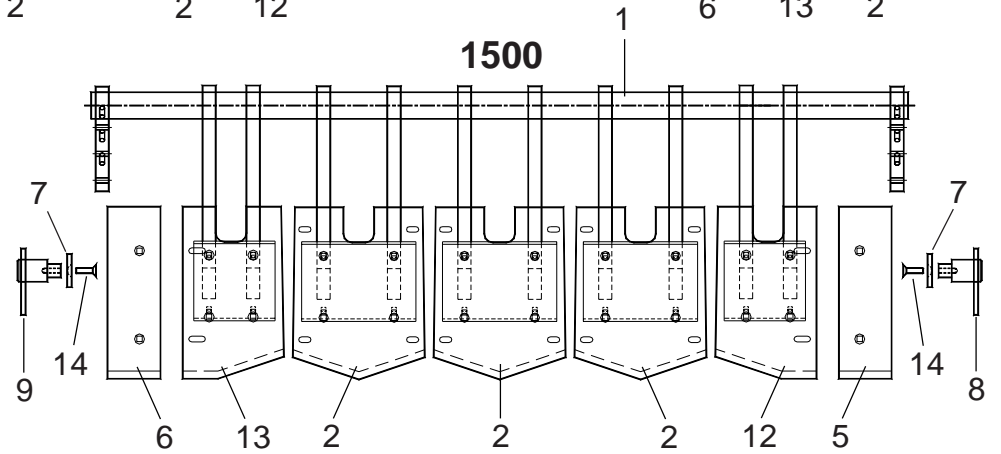
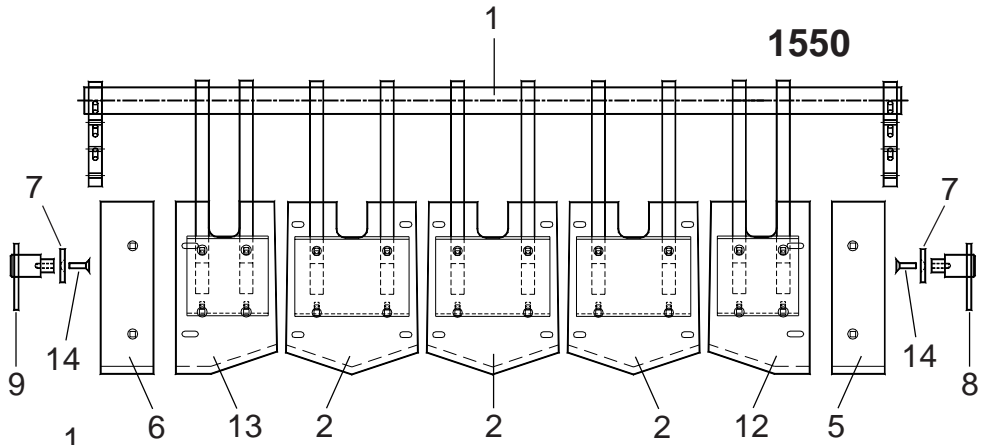
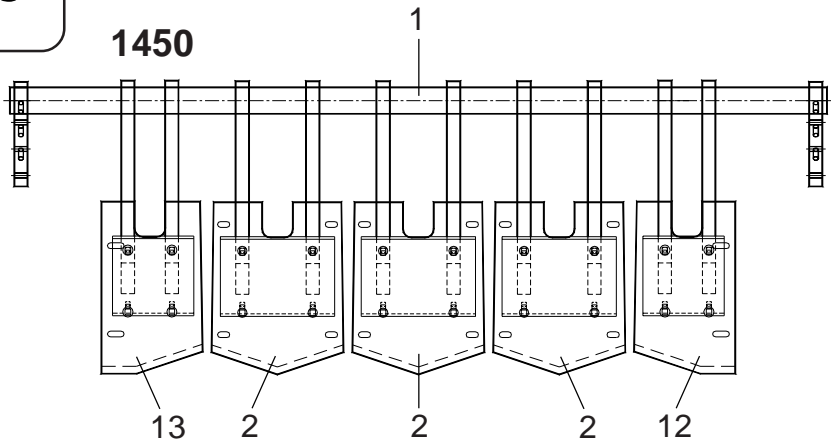
3.2A



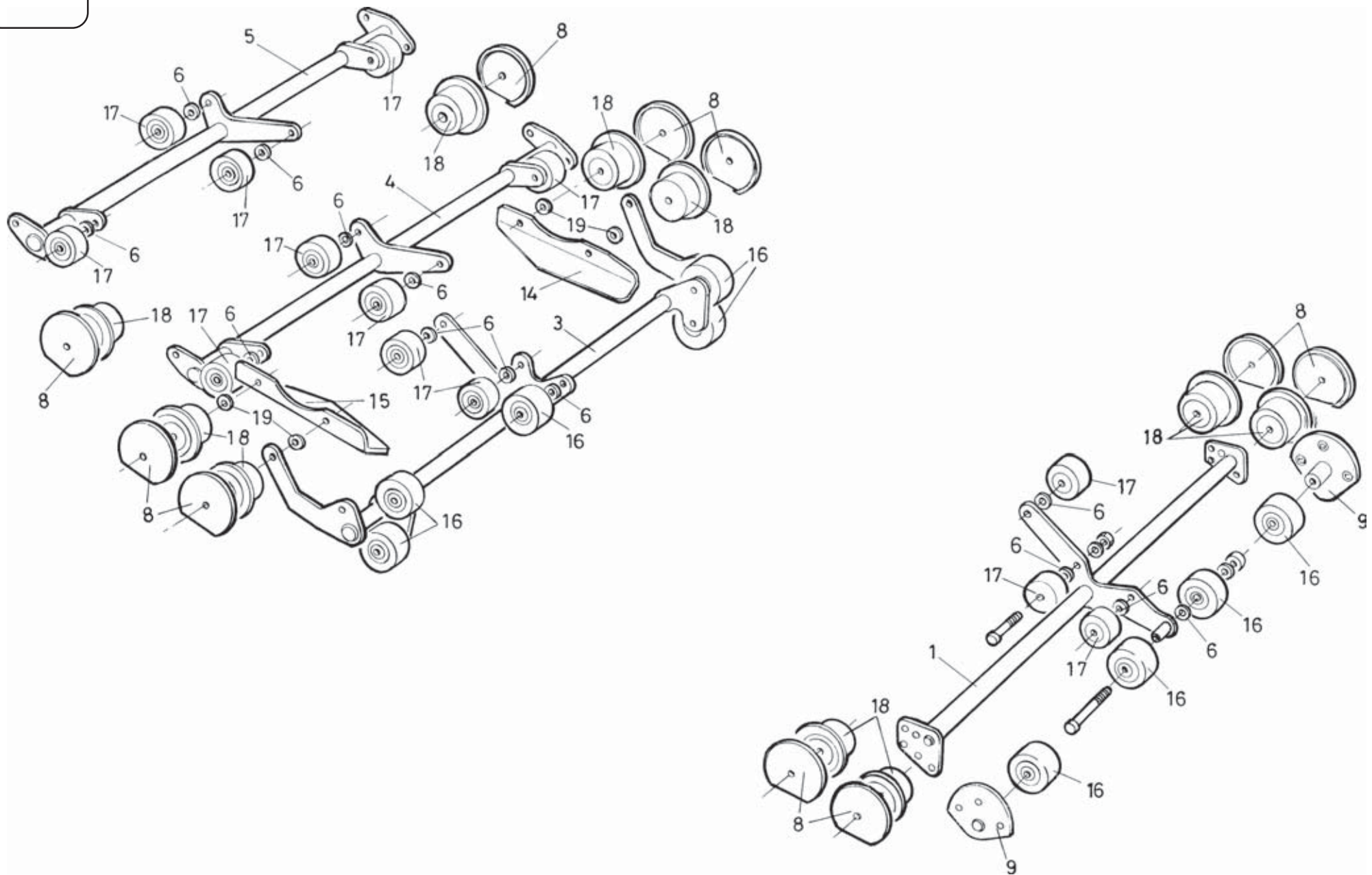
3.4A



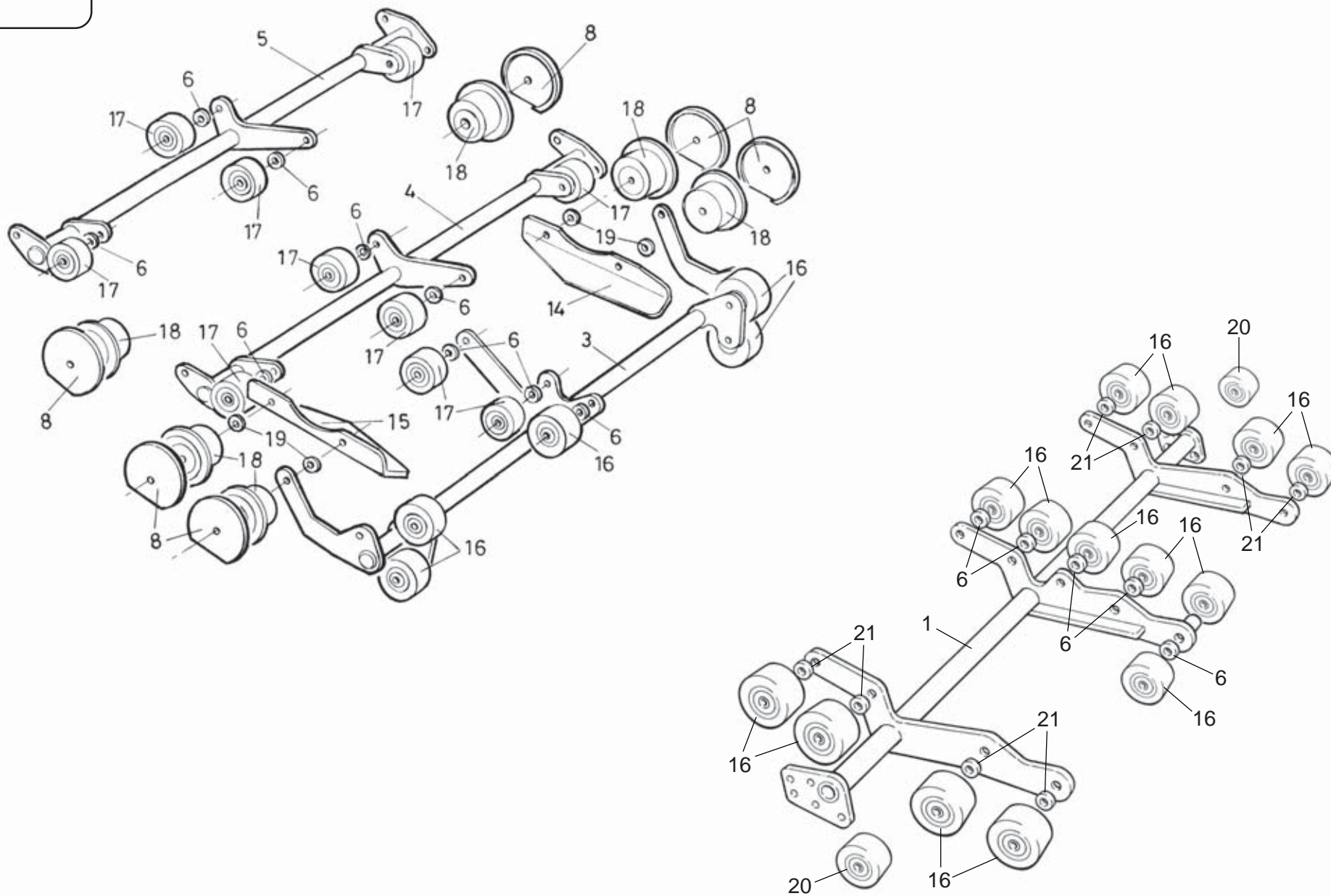
3.9



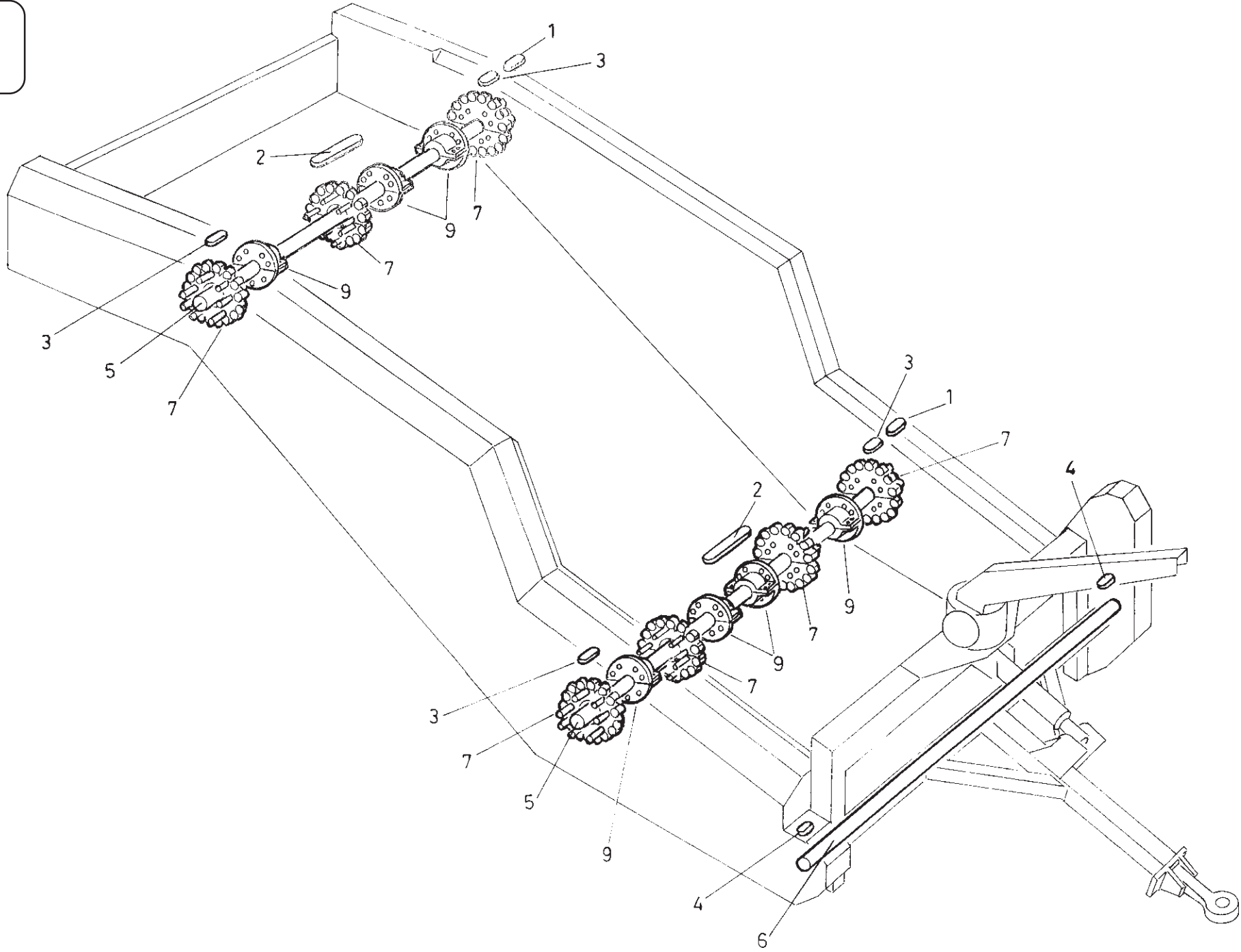
4.3



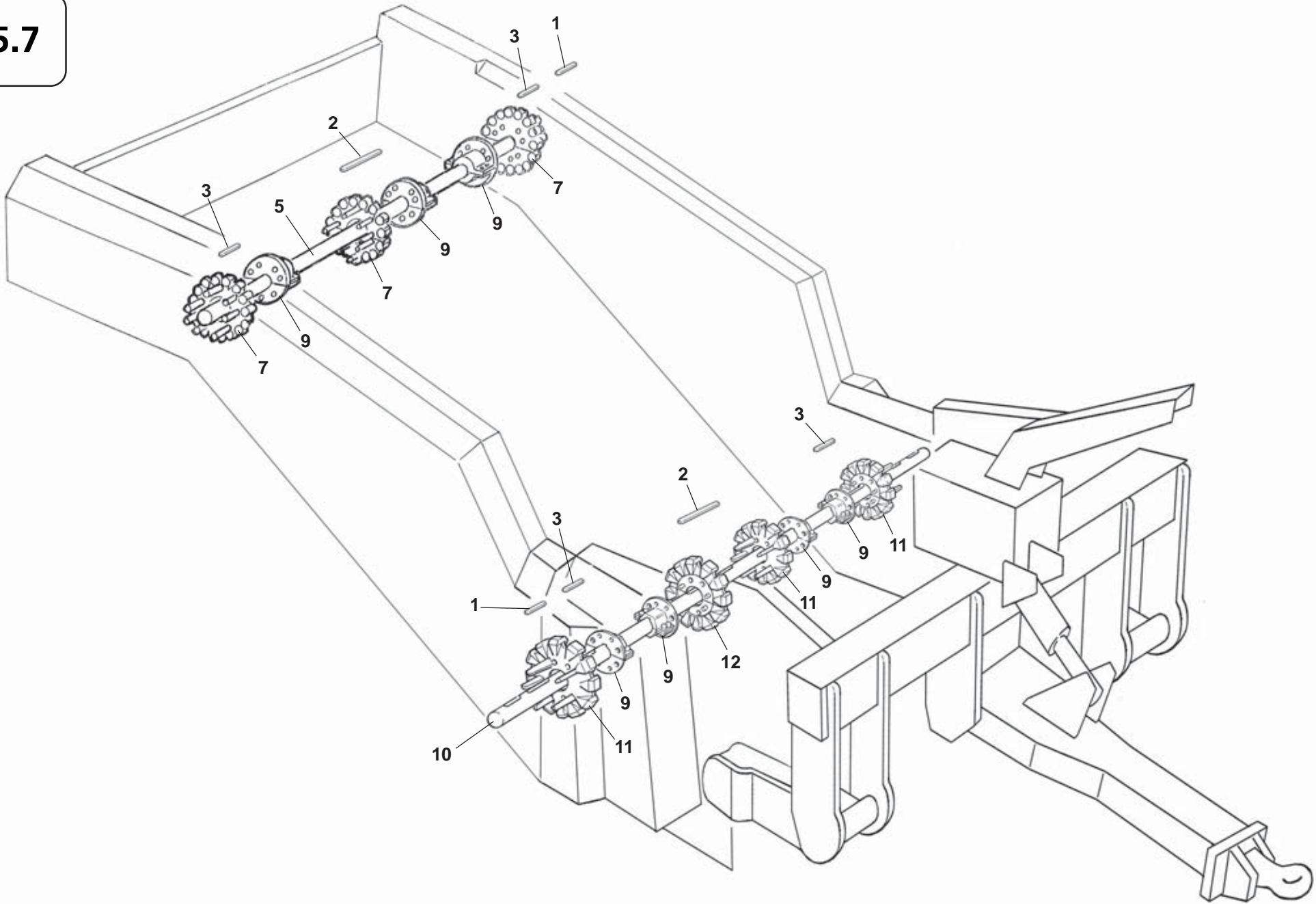
4.10



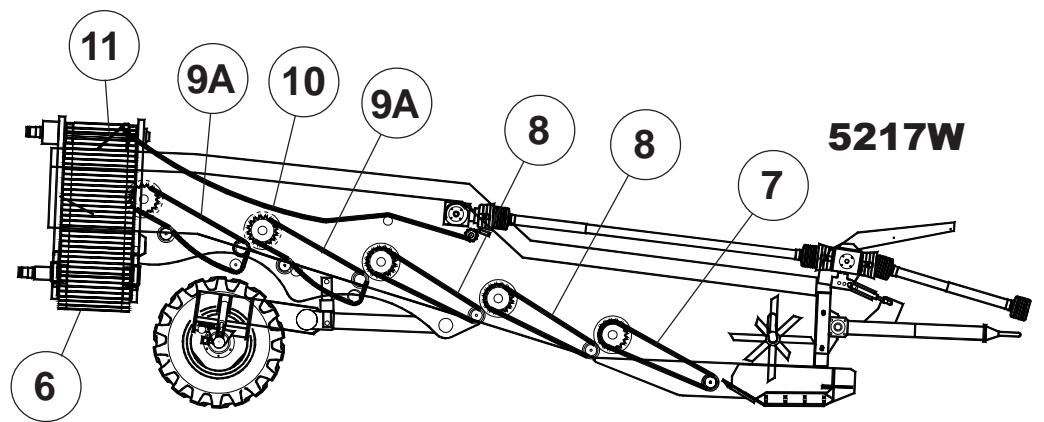
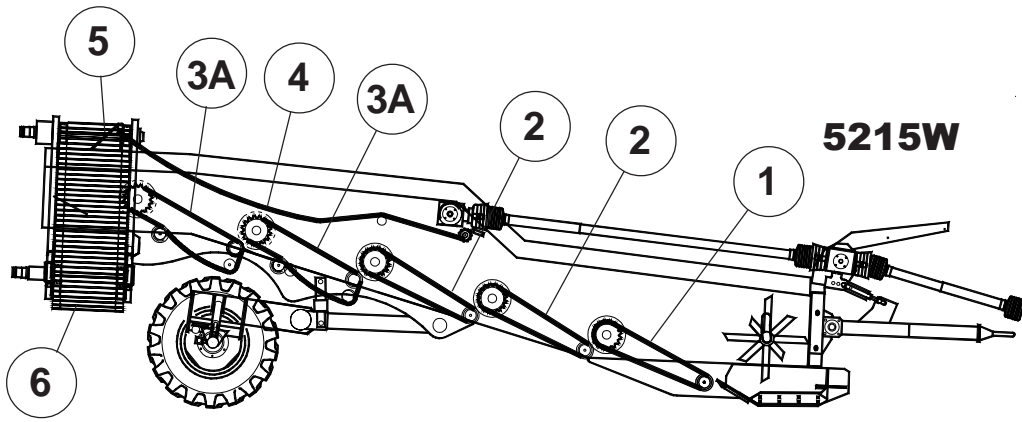
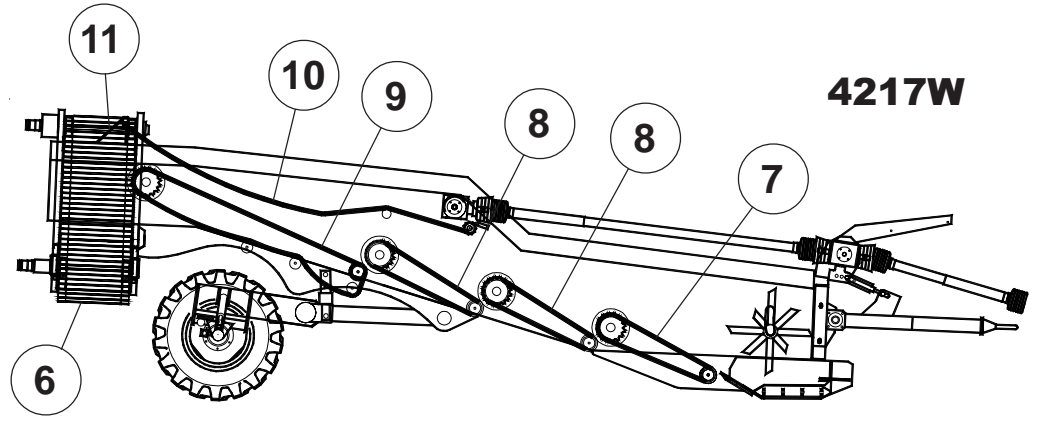
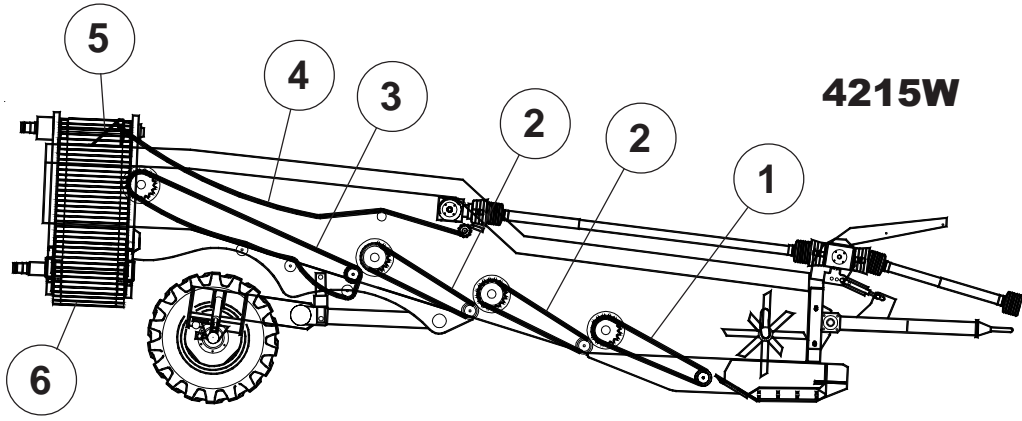
5.3



5.7



6.1A

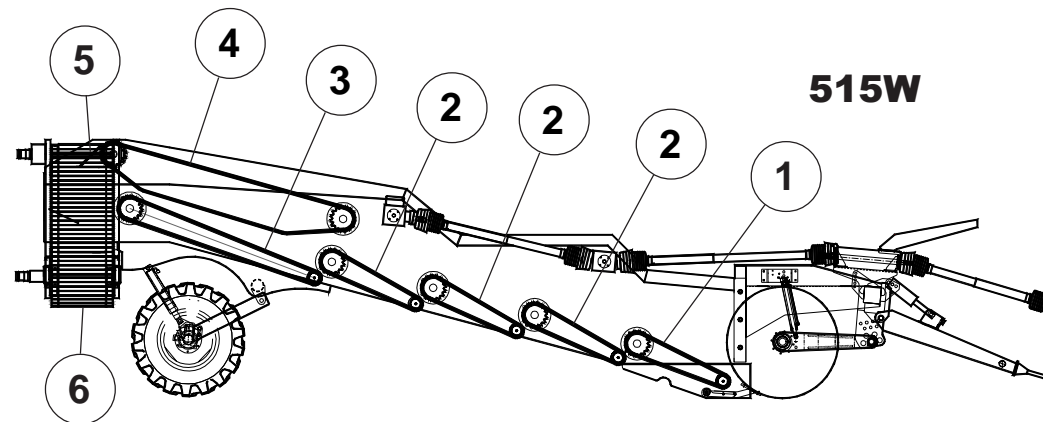
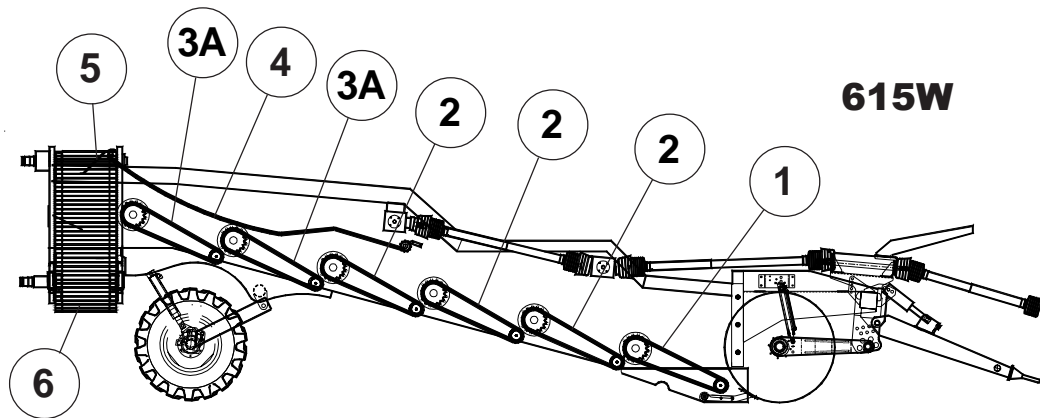
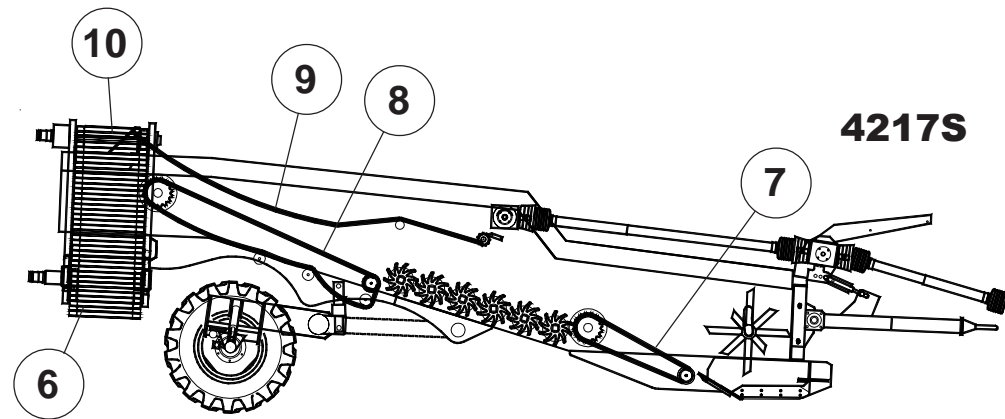
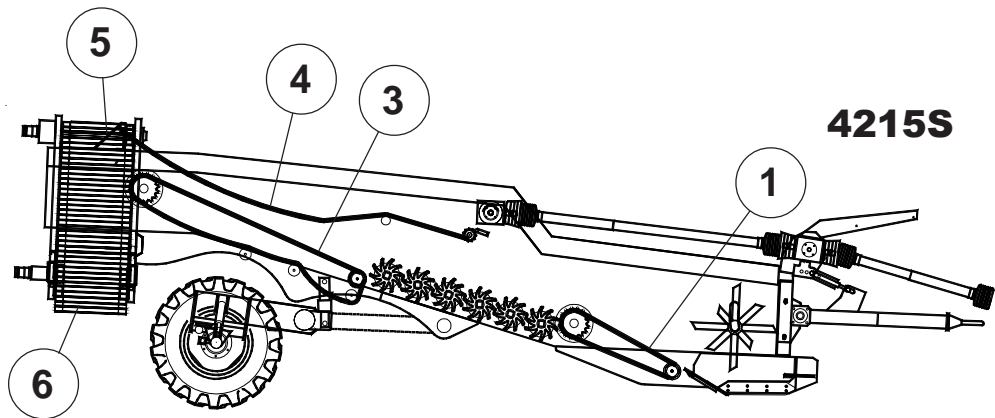


Assembly Group 6.1A - Webs (2011 onwards)

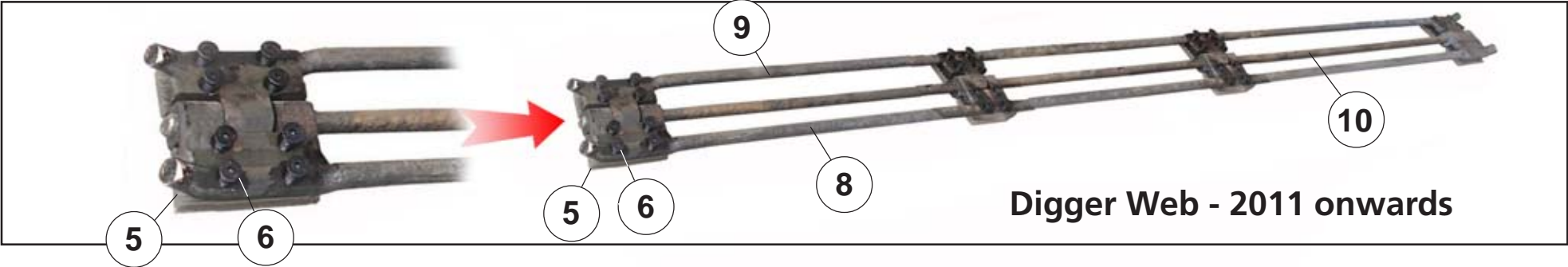
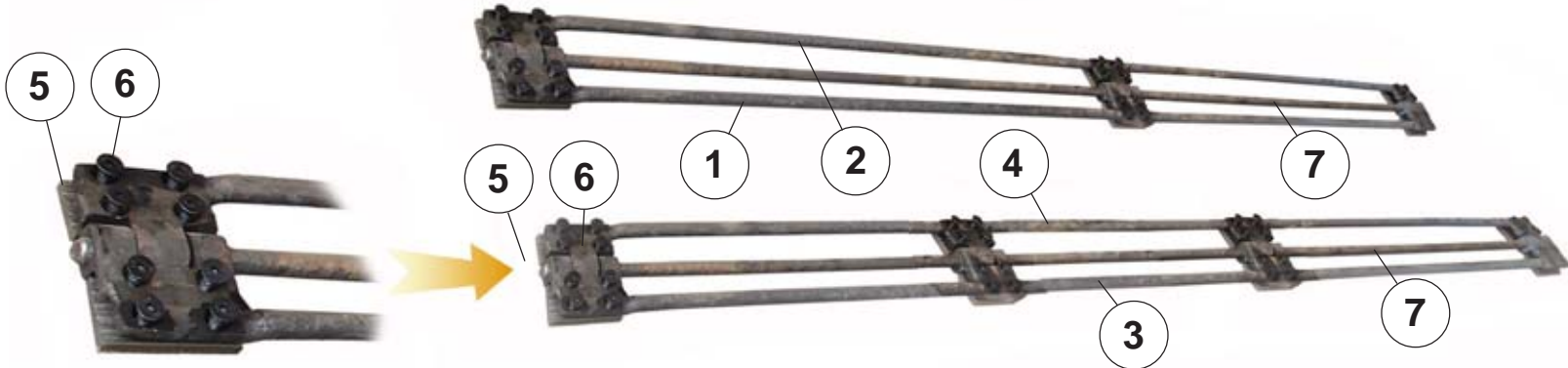
Item	Pitches Available	Part No.
1	28mm x 4 Belt Heavy Duty Digger Web 1535mm	UN-04335
1	32mm x 4 Belt Heavy Duty Digger Web 1535mm	UN-04336
1	37mm x 4 Belt Heavy Duty Digger Web 1535mm	UN-04337
1	43mm x 4 Belt Heavy Duty Digger Web 1535mm	UN-04338
1	45mm x 4 Belt Heavy Duty Digger Web 1535mm	UN-04339
1	50mm x 4 Belt Heavy Duty Digger Web 1535mm	UN-04340
2	28mm x 3 Belt Heavy Duty 2nd/3rd Web 1540mm	UN-03907
2	32mm x 3 Belt Heavy Duty 2nd/3rd Web 1540mm	UN-03908
2	37mm x 3 Belt Heavy Duty 2nd/3rd Web 1540mm	UN-03909
2	43mm x 3 Belt Heavy Duty 2nd/3rd Web 1540mm	UN-03910
2	45mm x 3 Belt Heavy Duty 2nd/3rd Web 1540mm	UN-03911
2	50mm x 3 Belt Heavy Duty 2nd/3rd Web 1540mm	UN-03912
3	28mm x 3 Belt Heavy Duty 4th Web 1540mm	UN-03913
3	32mm x 3 Belt Heavy Duty 4th Web 1540mm	UN-03914
3	37mm x 3 Belt Heavy Duty 4th Web 1540mm	UN-03915
3	43mm x 3 Belt Heavy Duty 4th Web 1540mm	UN-03916
3	45mm x 3 Belt Heavy Duty 4th Web 1540mm	UN-03917
3	50mm x 3 Belt Heavy Duty 4th Web 1540mm	UN-03918
3A	28mm x 3 Belt Heavy Duty 4th/5th Web 1540mm	UN-04116
3A	32mm x 3 Belt Heavy Duty 4th/5th Web 1540mm	UN-04117
3A	37mm x 3 Belt Heavy Duty 4th/5th Web 1540mm	UN-04118
3A	43mm x 3 Belt Heavy Duty 4th/5th Web 1540mm	UN-04119
3A	45mm x 3 Belt Heavy Duty 4th/5th Web 1540mm	UN-04120
3A	50mm x 3 Belt Heavy Duty 4th/5th Web 1540mm	UN-04121
4	45/90 3 Belt Scrubber Web	UN-03200
4	45mm 3 Belt Driven Scrubber Web 1540mm	UN-04189
5	43mm x 3 Belt Scrubber Web Extension	UN-03202
6	20mm Cross Conveyor Web	UN-03294
6	28mm Cross Conveyor Web	UN-03295
6	36mm Cross Conveyor Web	UN-03296

Item	Pitches Available	Part No.
7	28mm x 4 Belt Heavy Duty Digger Web 1735mm	UN-04356
7	32mm x 4 Belt Heavy Duty Digger Web 1735mm	UN-04357
7	37mm x 4 Belt Heavy Duty Digger Web 1735mm	UN-04358
7	43mm x 4 Belt Heavy Duty Digger Web 1735mm	UN-04359
7	45mm x 4 Belt Heavy Duty Digger Web 1735mm	UN-04360
7	50mm x 4 Belt Heavy Duty Digger Web 1735mm	UN-04361
8	28mm x 4 Belt Heavy Duty 2nd/3rd Web 1740mm	UN-03919
8	32mm x 4 Belt Heavy Duty 2nd/3rd Web 1740mm	UN-03920
8	37mm x 4 Belt Heavy Duty 2nd/3rd Web 1740mm	UN-03921
8	43mm x 4 Belt Heavy Duty 2nd/3rd Web 1740mm	UN-03922
8	45mm x 4 Belt Heavy Duty 2nd/3rd Web 1740mm	UN-03923
8	50mm x 4 Belt Heavy Duty 2nd/3rd Web 1740mm	UN-03924
9	28mm x 4 Belt Heavy Duty 4th Web 1740mm	UN-03925
9	32mm x 4 Belt Heavy Duty 4th Web 1740mm	UN-03926
9	37mm x 4 Belt Heavy Duty 4th Web 1740mm	UN-03927
9	43mm x 4 Belt Heavy Duty 4th Web 1740mm	UN-03928
9	45mm x 4 Belt Heavy Duty 4th Web 1740mm	UN-03929
9	50mm x 4 Belt Heavy Duty 4th Web 1740mm	UN-03930
9A	28mm x 4 Belt Heavy Duty 4th/5th Web 1740mm	UN-04110
9A	32mm x 4 Belt Heavy Duty 4th/5th Web 1740mm	UN-04111
9A	37mm x 4 Belt Heavy Duty 4th/5th Web 1740mm	UN-04112
9A	43mm x 4 Belt Heavy Duty 4th/5th Web 1740mm	UN-04113
9A	45mm x 4 Belt Heavy Duty 4th/5th Web 1740mm	UN-04114
9A	50mm x 4 Belt Heavy Duty 4th/5th Web 1740mm	UN-04115
10	45/90 3 Belt Scrubber Web	UN-03201
10	45mm 3 Belt Driven Scrubber Web 1740mm (web)	UN-04190
11	43mm x 3 Belt Scrubber Web Extension	UN-03203

6.1B



6.2A



Digger Web - 2011 onwards

Assembly Group 6.2A - Web Accessories - High Strength Joining Clip System

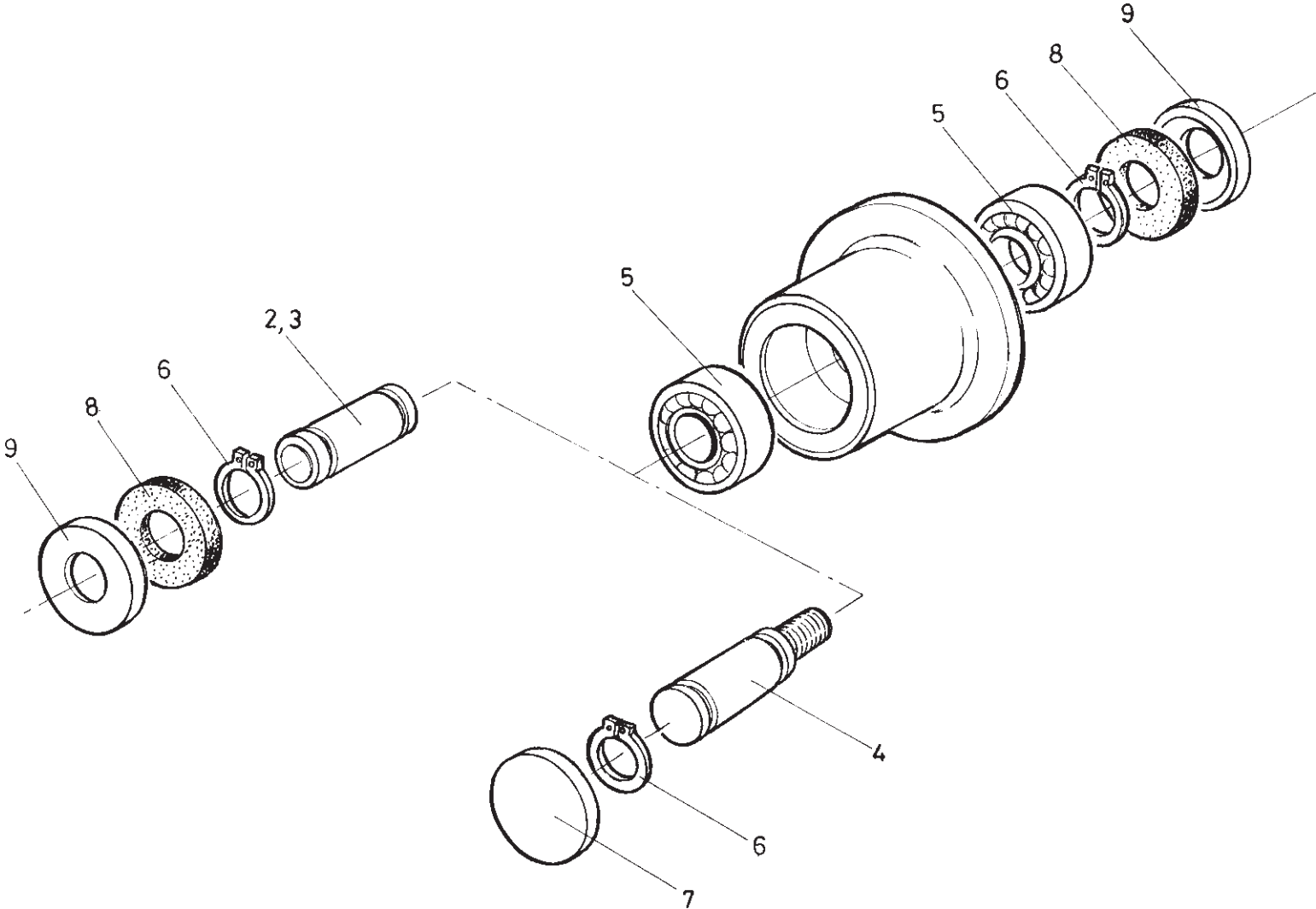
Item	Description	Part No.	Qty.
8	Heavy Duty Female Joining Clip Kit - 4 Belt - (1535 wide) 28mm	UN-04341	
8	Heavy Duty Female Joining Clip Kit - 4 Belt - (1535 wide) 32mm	UN-04343	
8	Heavy Duty Female Joining Clip Kit - 4 Belt - (1535 wide) 37mm	UN-04345	
8	Heavy Duty Female Joining Clip Kit - 4 Belt - (1535 wide) 43mm	UN-04347	
8	Heavy Duty Female Joining Clip Kit - 4 Belt - (1535 wide) 45mm	UN-04349	
8	Heavy Duty Female Joining Clip Kit - 4 Belt - (1535 wide) 50mm	UN-04351	
8	Heavy Duty Female Joining Clip Kit - 4 Belt - (1735 wide) 28mm	UN-04362	
8	Heavy Duty Female Joining Clip Kit - 4 Belt - (1735 wide) 32mm	UN-04364	
8	Heavy Duty Female Joining Clip Kit - 4 Belt - (1735 wide) 37mm	UN-04366	
8	Heavy Duty Female Joining Clip Kit - 4 Belt - (1735 wide) 43mm	UN-04368	
8	Heavy Duty Female Joining Clip Kit - 4 Belt - (1735 wide) 45mm	UN-04370	
8	Heavy Duty Female Joining Clip Kit - 4 Belt - (1735 wide) 50mm	UN-04372	
10	Joining Rod (1535 wide)	UN-04355	
10	Joining Rod (1735 wide)	UN-04376	

Item	Description	Part No.	Qty.
9	Heavy Duty Male Joining Clip Kit - 4 Belt - (1535 wide) 28mm	UN-04342	
9	Heavy Duty Male Joining Clip Kit - 4 Belt - (1535 wide) 32mm	UN-04344	
9	Heavy Duty Male Joining Clip Kit - 4 Belt - (1535 wide) 37mm	UN-04346	
9	Heavy Duty Male Joining Clip Kit - 4 Belt - (1535 wide) 43mm	UN-04348	
9	Heavy Duty Male Joining Clip Kit - 4 Belt - (1535 wide) 45mm	UN-04350	
9	Heavy Duty Male Joining Clip Kit - 4 Belt - (1535 wide) 50mm	UN-04352	
9	Heavy Duty Male Joining Clip Kit - 4 Belt - (1735 wide) 28mm	UN-04363	
9	Heavy Duty Male Joining Clip Kit - 4 Belt - (1735 wide) 32mm	UN-04365	
9	Heavy Duty Male Joining Clip Kit - 4 Belt - (1735 wide) 37mm	UN-04367	
9	Heavy Duty Male Joining Clip Kit - 4 Belt - (1735 wide) 43mm	UN-04369	
9	Heavy Duty Male Joining Clip Kit - 4 Belt - (1735 wide) 45mm	UN-04371	
9	Heavy Duty Male Joining Clip Kit - 4 Belt - (1735 wide) 50mm	UN-04373	
NI	Repair Rod - 4 Belt - 12mm - (1535 wide)	UN-04353	
NI	Repair Rod - 4 Belt - 15mm - (1535 wide)	UN-04354	
NI	Repair Rod - 4 Belt - 12mm - (1735 wide)	UN-04374	
NI	Repair Rod - 4 Belt - 15mm - (1735 wide)	UN-04375	

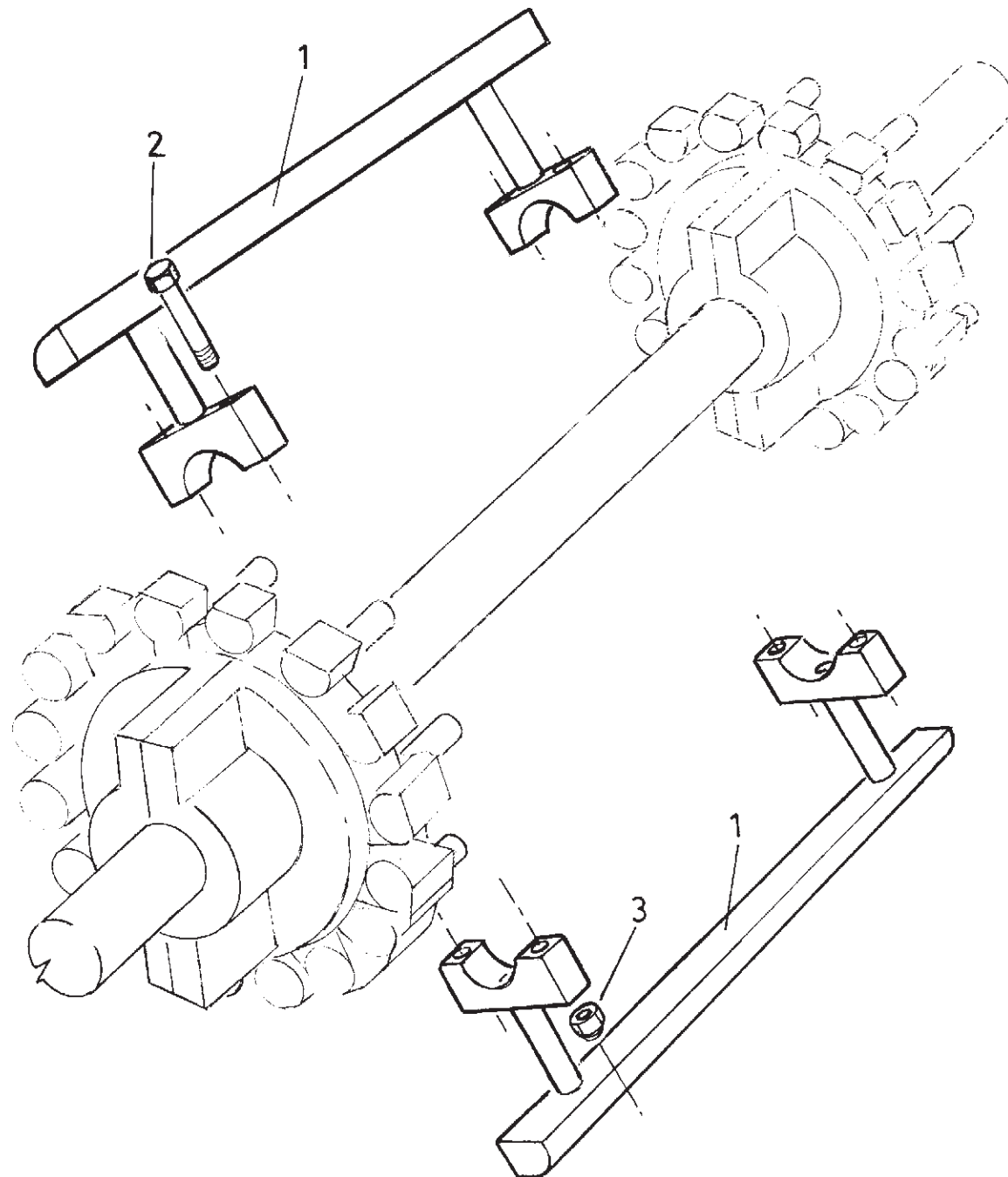
1	Heavy Duty Female Joining Clip Kit - 3 Belt - (1540 wide) 28mm	UN-03943	
1	Heavy Duty Female Joining Clip Kit - 3 Belt - (1540 wide) 32mm	UN-03945	
1	Heavy Duty Female Joining Clip Kit - 3 Belt - (1280 wide) 32mm	UN-03859	
1	Heavy Duty Female Joining Clip Kit - 3 Belt - (1540 wide) 36mm	UN-03947	
1	Heavy Duty Female Joining Clip Kit - 3 Belt - (1540 wide) 37mm	UN-03949	
1	Heavy Duty Female Joining Clip Kit - 3 Belt - (1280 wide) 37mm	UN-03866	
1	Heavy Duty Female Joining Clip Kit - 3 Belt - (1540 wide) 42mm	UN-03951	
1	Heavy Duty Female Joining Clip Kit - 3 Belt - (1540 wide) 43mm	UN-03953	
1	Heavy Duty Female Joining Clip Kit - 3 Belt - (1280 wide) 43mm	UN-03868	
1	Heavy Duty Female Joining Clip Kit - 3 Belt - (1540 wide) 45mm	UN-03955	
1	Heavy Duty Female Joining Clip Kit - 3 Belt - (1540 wide) 50mm	UN-03957	
2	Heavy Duty Male Joining Clip Kit - 3 Belt - (1540 wide) 28mm	UN-03944	
2	Heavy Duty Male Joining Clip Kit - 3 Belt - (1540 wide) 32mm	UN-03946	
2	Heavy Duty Male Joining Clip Kit - 3 Belt - (1280 wide) 32mm	UN-03860	
2	Heavy Duty Male Joining Clip Kit - 3 Belt - (1540 wide) 36mm	UN-03948	
2	Heavy Duty Male Joining Clip Kit - 3 Belt - (1540 wide) 37mm	UN-03950	
2	Heavy Duty Male Joining Clip Kit - 3 Belt - (1280 wide) 37mm	UN-03867	
2	Heavy Duty Male Joining Clip Kit - 3 Belt - (1540 wide) 42mm	UN-03952	
2	Heavy Duty Male Joining Clip Kit - 3 Belt - (1540 wide) 43mm	UN-03954	
2	Heavy Duty Male Joining Clip Kit - 3 Belt - (1280 wide) 43mm	UN-03869	
2	Heavy Duty Male Joining Clip Kit - 3 Belt - (1540 wide) 45mm	UN-03956	
2	Heavy Duty Male Joining Clip Kit - 3 Belt - (1540 wide) 50mm	UN-03958	
3	Heavy Duty Female Joining Clip Kit - 4 Belt - (1540 wide) 28mm	UN-03959	
3	Heavy Duty Female Joining Clip Kit - 4 Belt - (1540 wide) 32mm	UN-03961	
3	Heavy Duty Female Joining Clip Kit - 4 Belt - (1540 wide) 36mm	UN-03963	
3	Heavy Duty Female Joining Clip Kit - 4 Belt - (1540 wide) 37mm	UN-03965	
3	Heavy Duty Female Joining Clip Kit - 4 Belt - (1540 wide) 42mm	UN-03967	
3	Heavy Duty Female Joining Clip Kit - 4 Belt - (1540 wide) 43mm	UN-03969	
3	Heavy Duty Female Joining Clip Kit - 4 Belt - (1540 wide) 45mm	UN-03971	
3	Heavy Duty Female Joining Clip Kit - 4 Belt - (1540 wide) 50mm	UN-03973	
3	Heavy Duty Female Joining Clip Kit - 4 Belt - (1740 wide) 28mm	UN-03984	
3	Heavy Duty Female Joining Clip Kit - 4 Belt - (1740 wide) 32mm	UN-03986	
3	Heavy Duty Female Joining Clip Kit - 4 Belt - (1740 wide) 36mm	UN-03988	
3	Heavy Duty Female Joining Clip Kit - 4 Belt - (1740 wide) 37mm	UN-03990	
3	Heavy Duty Female Joining Clip Kit - 4 Belt - (1740 wide) 42mm	UN-03992	
3	Heavy Duty Female Joining Clip Kit - 4 Belt - (1740 wide) 43mm	UN-03994	
3	Heavy Duty Female Joining Clip Kit - 4 Belt - (1740 wide) 45mm	UN-03996	
3	Heavy Duty Female Joining Clip Kit - 4 Belt - (1740 wide) 50mm	UN-03998	

4	Heavy Duty Male Joining Clip Kit - 4 Belt - (1540 wide) 28mm	UN-03960	
4	Heavy Duty Male Joining Clip Kit - 4 Belt - (1540 wide) 32mm	UN-03962	
4	Heavy Duty Male Joining Clip Kit - 4 Belt - (1540 wide) 36mm	UN-03964	
4	Heavy Duty Male Joining Clip Kit - 4 Belt - (1540 wide) 37mm	UN-03966	
4	Heavy Duty Male Joining Clip Kit - 4 Belt - (1540 wide) 42mm	UN-03968	
4	Heavy Duty Male Joining Clip Kit - 4 Belt - (1540 wide) 43mm	UN-03970	
4	Heavy Duty Male Joining Clip Kit - 4 Belt - (1540 wide) 45mm	UN-03972	
4	Heavy Duty Male Joining Clip Kit - 4 Belt - (1540 wide) 50mm	UN-03974	
4	Heavy Duty Male Joining Clip Kit - 4 Belt - (1740 wide) 28mm	UN-03985	
4	Heavy Duty Male Joining Clip Kit - 4 Belt - (1740 wide) 32mm	UN-03987	
4	Heavy Duty Male Joining Clip Kit - 4 Belt - (1740 wide) 36mm	UN-03989	
4	Heavy Duty Male Joining Clip Kit - 4 Belt - (1740 wide) 37mm	UN-03991	
4	Heavy Duty Male Joining Clip Kit - 4 Belt - (1740 wide) 42mm	UN-03993	
4	Heavy Duty Male Joining Clip Kit - 4 Belt - (1740 wide) 43mm	UN-03995	
4	Heavy Duty Male Joining Clip Kit - 4 Belt - (1740 wide) 45mm	UN-03997	
4	Heavy Duty Male Joining Clip Kit - 4 Belt - (1740 wide) 50mm	UN-03999	
5	4 Hole Backplate 28mm	UN-03975	
5	4 Hole Backplate 32mm	UN-03976	
5	4 Hole Backplate 36mm	UN-03977	
5	4 Hole Backplate 37mm	UN-03978	
5	4 Hole Backplate 42mm	UN-03979	
5	4 Hole Backplate 43mm	UN-03980	
5	4 Hole Backplate 45mm	UN-03981	
5	4 Hole Backplate 50mm	UN-03982	
6	Countersunk Fixing Screw	UN-03983	A/R
7	Joining Rod (1280 wide)	UN-03872	
7	Joining Rod (1295 wide)	UN-04220	
7	Joining Rod (1540 wide)	UN-03594	
7	Joining Rod (1740 wide)	UN-03595	
7	Joining Rod (Cross Conveyor)	UN-03591	
NI	Repair Rod (Narrow Machine 3 Belt)	UN-03602	
NI	Repair Rod (Narrow Machine 4 Belt)	UN-03603	
NI	Repair Rod (Wide Machine 4 Belt)	UN-03604	
NI	Repair Rod (1280mm - 3 Belt)	UN-03873	
NI	Repair Rod (1295mm - 12mm)	UN-04218	
NI	Repair Rod (1295mm - 15mm)	UN-04219	
NI	Repair Rod (Cross Conveyor)	UN-03598	

6.3



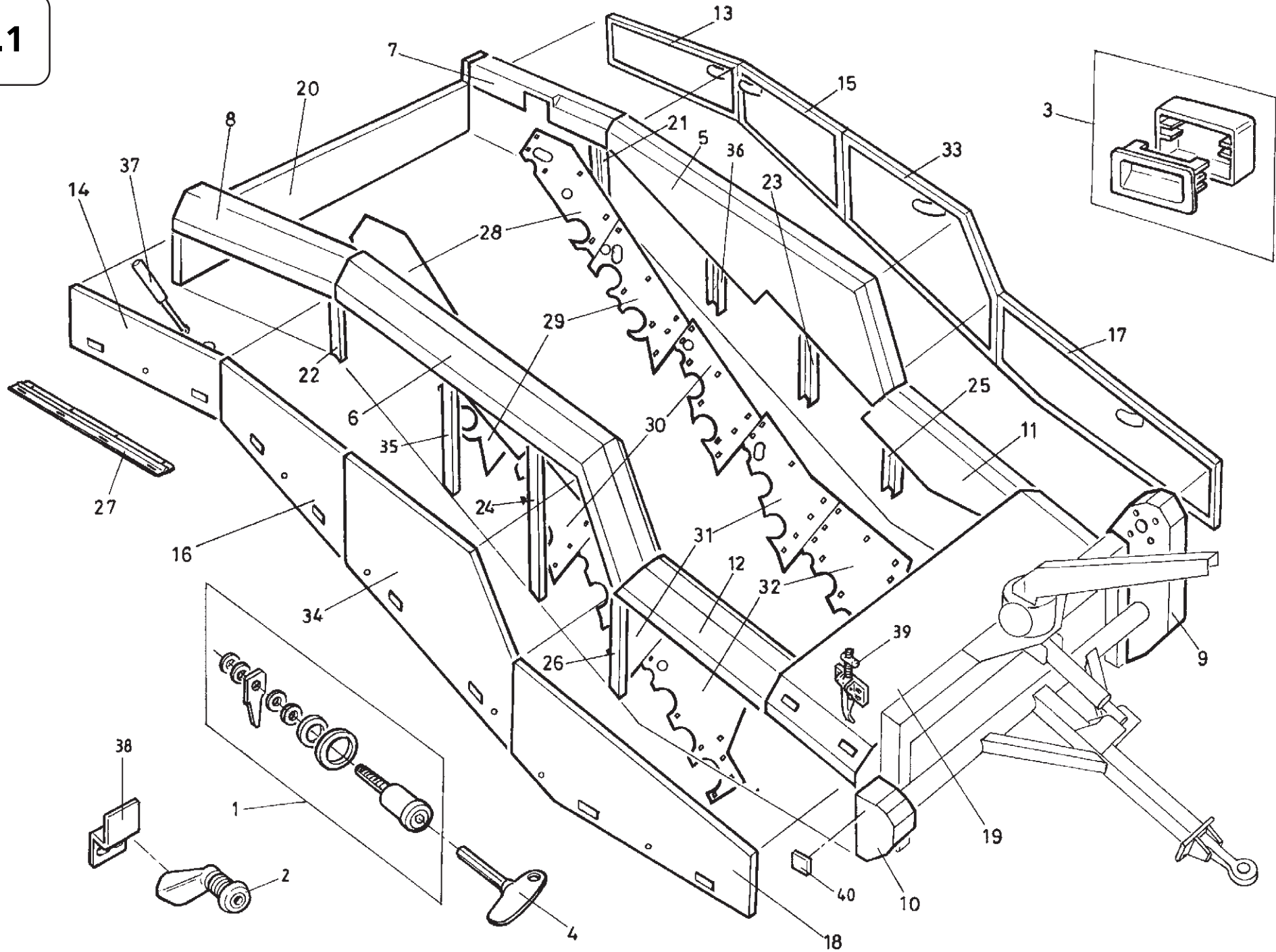
6.4



Assembly Group 6.4 - Web Cleaners

Item	Description	Web Pitch	Machine	Web Type	Part No.	Qty. per Web
1	2 Part Web Cleaner	37mm	Narrow	3 Belt	UN-08280	2 Pairs
1	2 Part Web Cleaner	37mm	Narrow	4 Belt	UN-08285	2 Pairs
1	2 Part Web Cleaner	37mm	Wide	4 Belt	UN-08287	3 Pairs
1	2 Part Web Cleaner	43mm	Narrow	3 Belt	UN-08280	2 Pairs
1	2 Part Web Cleaner	43mm	Narrow	4 Belt	UN-08285	2 Pairs
1	2 Part Web Cleaner	43mm	Wide	4 Belt	UN-08287	3 Pairs
1	2 Part Web Cleaner	50mm	Narrow	3 Belt	UN-08295	2 Pairs
1	2 Part Web Cleaner	50mm	Narrow	4 Belt	UN-08297	2 Pairs
1	2 Part Web Cleaner	50mm	Wide	4 Belt	UN-08299	3 Pairs
2	M10 x 75 High Tensile Bolt					
3	M10 Nyloc Nut					

7.1

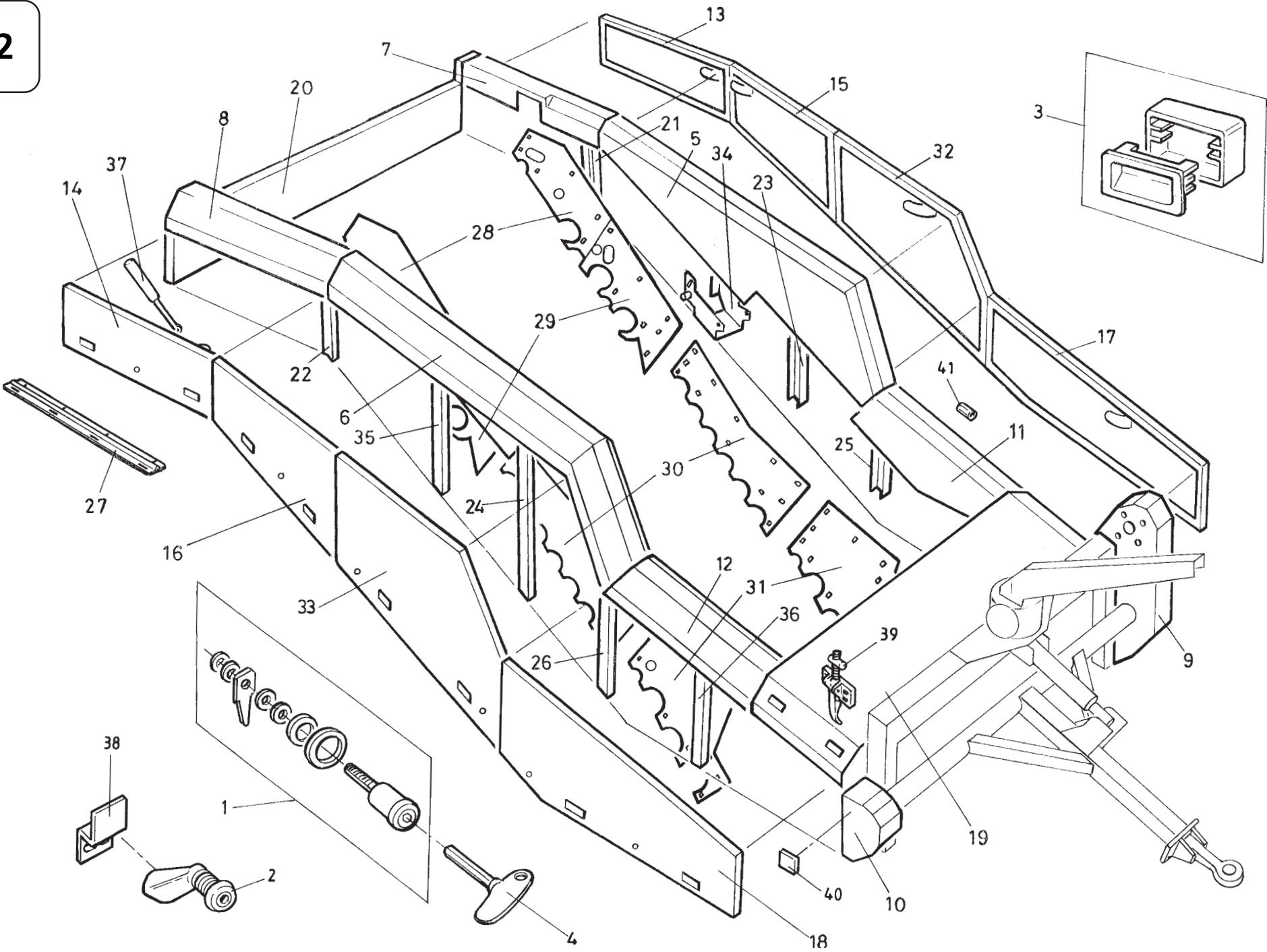


Assembly Group 7.1 - Doors, Guards & Wear Plates (Multiweb machine)

Item	Description	Part No.	Qty.
1	Door Lock (complete)	UN-00222	14
2	Slam Lock (Left Hand - 2005 onwards)	UN-01001	4
2	Slam Lock (Right Hand - 2005 onwards)	UN-01002	4
3	Door Handle (complete) - for Doors	UN-00577	16
3	Door Handle (complete) - for Rotor Hoods	UN-00578	4
4	Door Key	UN-00640	1
5	Middle Guard (Left Hand - Yr. 2004)	UN-10540	1
5	Middle Guard (Left Hand - 2005 onwards)	UN-11351	1
6	Middle Guard (Right Hand - Yr. 2004)	UN-10548	1
6	Middle Guard (Right Hand - 2005 onwards)	UN-11354	1
7	Rear Guard (Left Hand)	UN-10550	1
8	Rear Guard (Right Hand)	UN-10555	1
9	Rotor Drive Guard (Left Hand)	UN-10557	1
10	Rotor Drive Guard (Right Hand)	UN-10559	1
11	Front Guard (Left Hand - Yr. 2004)	UN-10570	1
11	Front Guard (Left Hand - 2005 onwards)	UN-11356	1
12	Front Guard (Right Hand - Yr. 2004)	UN-10574	1
12	Front Guard (Right Hand - 2005 onwards)	UN-11358	1
13	Rear Door (Left Hand)	UN-10577	1
13	Rear Door (Left Hand - Painted 2009 onwards)	UN-15232	1
14	Rear Door (Right Hand)	UN-10581	1
14	Rear Door (Right Hand - Painted 2009 onwards)	UN-15234	1
15	Centre Door (Left Hand)	UN-11024	1
15	Centre Door (Left Hand - Painted 2009 onwards)	UN-15244	1
16	Centre Door (Right Hand)	UN-11026	1
16	Centre Door (Right Hand - Painted 2009 onwards)	UN-15246	1
17	Front Door (Left Hand)	UN-10588	1
17	Front Door (Left Hand - Painted 2009 onwards)	UN-15236	1
18	Front Door (Right Hand)	UN-10592	1
18	Front Door (Right Hand - Painted 2009 onwards)	UN-15238	1
19	Rotor Hood (Narrow Machines - Yr. 2004)	UN-10560	1
19	Rotor Hood (Narrow Machines - 2005 onwards)	UN-11340	1
19	Rotor Hood (Wide Machines - Yr. 2004)	UN-10596	1
19	Rotor Hood (Wide Machines - 2005 onwards)	UN-11365	1
20	Back Panel (Narrow Machines)	UN-10678	1
20	Back Panel (Wide Machines)	UN-10679	1
21	Door Support Strap (Left Hand)	UN-10752	1
22	Door Support Strap (Right Hand)	UN-10756	1
23	Door Support Strap (Left Hand)	UN-10757	1
24	Door Support Strap (Right Hand)	UN-10761	1
25	Door Support Strap (Left Hand)	UN-10763	1

Item	Description	Part No.	Qty.
26	Door Support Strap (Right Hand)	UN-10767	1
27	Door Hinge to suit UN-10577 & UN-10581	UN-10579	
27	Door Hinge to suit UN-11022 & UN-11026	UN-10585	
27	Door Hinge to suit UN-11020 & UN-11024	UN-10585	
27	Short Door Hinge to suit UN-10588	UN-10590	
27	Long Door Hinge to suit UN-10588	UN-10591	
27	Short Door Hinge to suit UN-10592	UN-10594	
27	Long Door Hinge to suit UN-10592	UN-10595	
28	Rear Wear Plate (Up to 2008)	UN-10303	2
28	Rear Wear Plate LH (2009 onwards)	UN-12543	1
28	Rear Wear Plate RH (2009 onwards)	UN-12544	1
28	Rear Wear Plate LH (5215W machines - 2009 onwards)	UN-12647	1
28	Rear Wear Plate RH (5215W machines - 2009 onwards)	UN-12648	1
29	4th Wear Plate (Up to 2008)	UN-10302	2
29	4th Wear Plate LH (2009 onwards)	UN-12541	1
29	4th Wear Plate RH (2009 onwards)	UN-12542	1
29	4th Wear Plate LH (5215W machines - 2009 onwards)	UN-12645	1
29	4th Wear Plate RH (5215W machines - 2009 onwards)	UN-12646	1
30	3rd Wear Plate (Up to 2008)	UN-10301	2
30	3rd Wear Plate LH (2009 onwards)	UN-12539	1
30	3rd Wear Plate RH (2009 onwards)	UN-12540	1
31	2nd Wear Plate (Up to 2008)	UN-10770	2
31	2nd Wear Plate LH (2009 onwards)	UN-12537	1
31	2nd Wear Plate RH (2009 onwards)	UN-12538	1
32	Digger Wear Plate (Up to 2008)	UN-10300	2
32	Digger Wear Plate LH (2009 - 2010)	UN-12535	1
32	Digger Wear Plate RH (2009 - 2010)	UN-12536	1
32	Digger Wear Plate LH (2011 onwards - to suit Inboard Rollers)	UN-12700	1
32	Digger Wear Plate RH (2011 onwards - to suit Inboard Rollers)	UN-12701	1
33	Centre Door (Left Hand)	UN-11020	1
33	Centre Door (Left Hand - Painted 2009 onwards)	UN-15240	1
34	Centre Door (Right Hand)	UN-11022	1
34	Centre Door (Right Hand - Painted 2009 onwards)	UN-15242	1
35	Door Support Strap (Right Hand)	UN-11046	1
36	Door Support Strap (Left Hand)	UN-11045	1
37	Gas Strut	UN-00228	12
38	Slam Lock Bracket	UN-11364	8
39	Clamp	UN-11349	4
40	Amber Reflector	UN-00226	6
41	Narrow Door seal (per linear metre) NI	UN-00727	
42	Wide Door seal (per linear metre) NI	UN-00728	

7.2

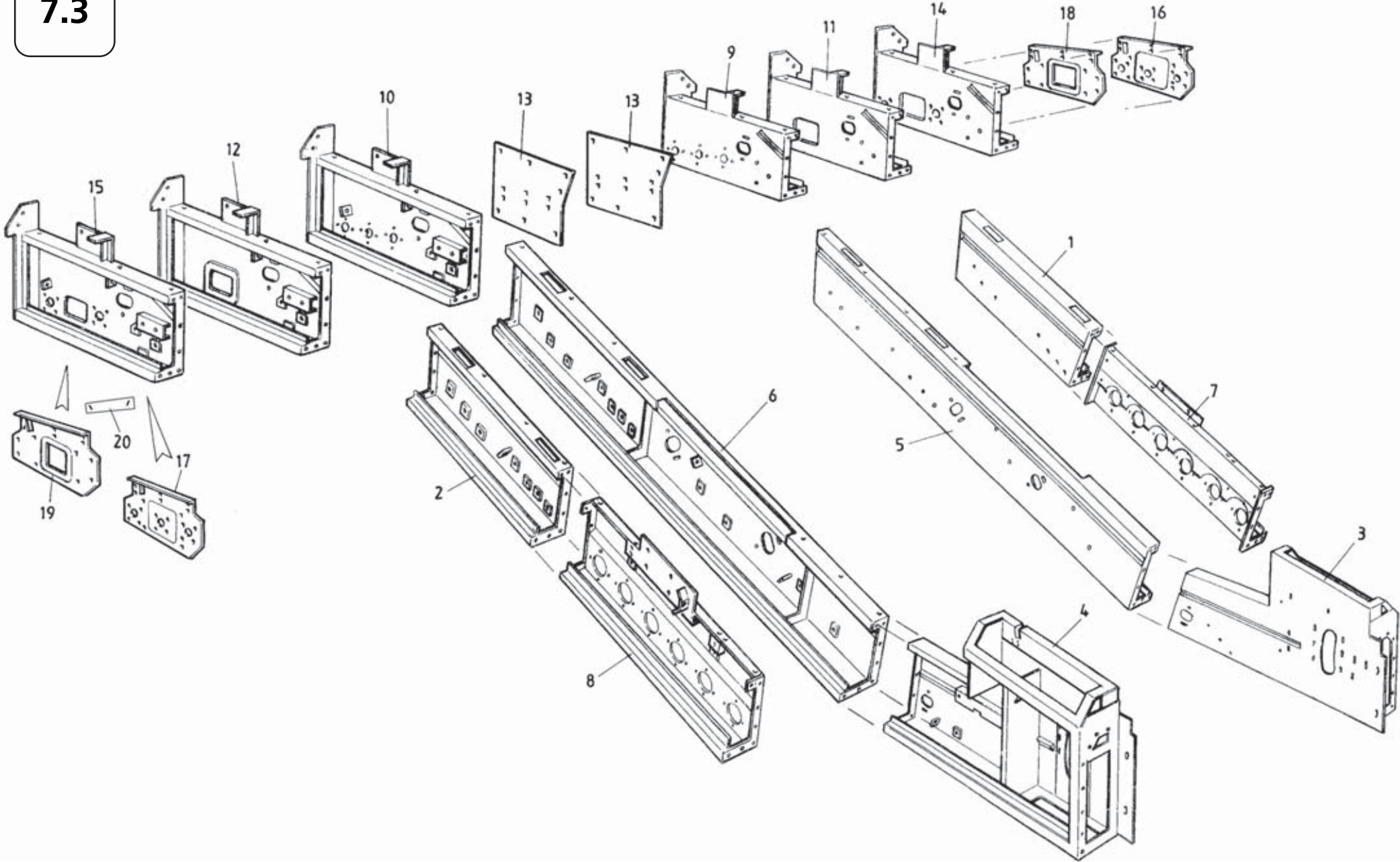


Assembly Group 7.2 - Doors, Guards & Wear Plates (Star machine)

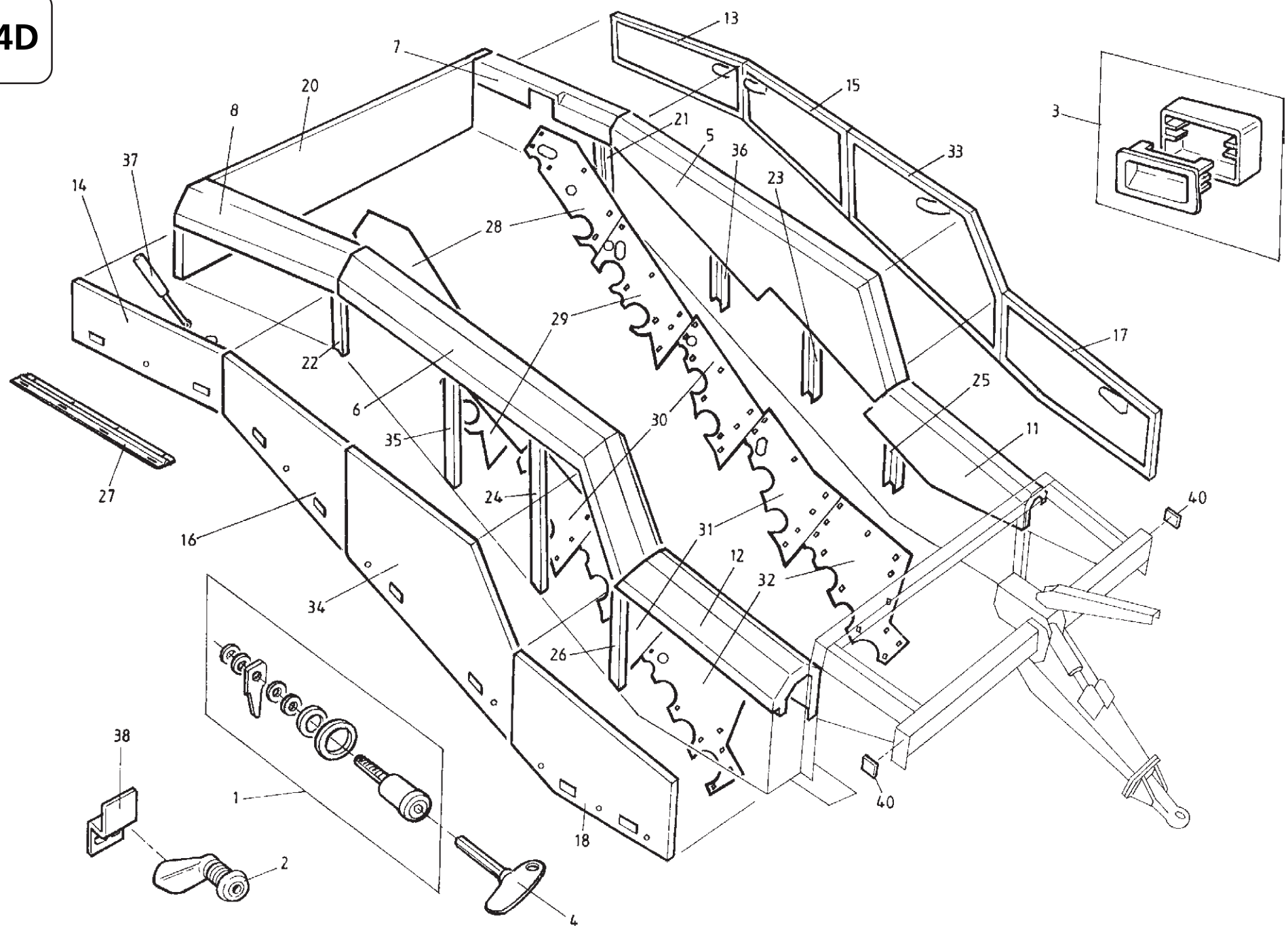
Item	Description	Part No.	Qty.
1	Door Lock (complete)	UN-00222	8
2	Slam Lock (Left Hand - 2005 onwards)	UN-01001	4
2	Slam Lock (Right Hand - 2005 onwards)	UN-01002	4
3	Door Handle (complete) - for Doors	UN-00577	16
3	Door Handle (complete) - for Rotor Hoods	UN-00578	4
4	Door Key	UN-00640	1
5	Middle Guard (Left Hand - Yr. 2004)	UN-10960	1
5	Middle Guard (Left Hand - 2005 onwards)	UN-11525	1
6	Middle Guard (Right Hand - Yr. 2004)	UN-10964	1
6	Middle Guard (Right Hand - 2005 onwards)	UN-11528	1
7	Rear Guard (Left Hand)	UN-10550	1
8	Rear Guard (Right Hand)	UN-10555	1
9	Rotor Drive Guard (Left Hand)	UN-10557	1
10	Rotor Drive Guard (Right Hand)	UN-10559	1
11	Front Guard (Left Hand)	UN-10966	1
12	Front Guard (Right Hand)	UN-10968	1
13	Rear Door (Left Hand)	UN-10577	1
13	Rear Door (Left Hand - Painted 2009 onwards)	UN-15232	1
14	Rear Door (Right Hand)	UN-10581	1
14	Rear Door (Right Hand - Painted 2009 onwards)	UN-15234	1
15	Centre Door (Left Hand)	UN-11033	1
15	Centre Door (Left Hand - Painted 2009 onwards)	UN-15228	1
16	Centre Door (Right Hand)	UN-11037	1
16	Centre Door (Right Hand - Painted 2009 onwards)	UN-15230	1
17	Front Door (Left Hand)	UN-10970	1
17	Front Door (Left Hand - Painted 2009 onwards)	UN-15220	1
18	Front Door (Right Hand)	UN-10973	1
18	Front Door (Right Hand - Painted 2009 onwards)	UN-15222	1
19	Rotor Hood (Narrow Machines - Yr. 2004)	UN-10560	1
19	Rotor Hood (Narrow Machines - 2005 onwards)	UN-11340	1
19	Rotor Hood (Wide Machines - Yr. 2004)	UN-10596	1
19	Rotor Hood (Wide Machines - 2005 onwards)	UN-11365	1
20	Back Panel (Narrow Machines)	UN-10678	1
20	Back Panel (Wide Machines)	UN-10679	1
21	Door Support Strap (Left Hand)	UN-10752	1
22	Door Support Strap (Right Hand)	UN-10756	1

Item	Description	Part No.	Qty.
23	Door Support Strap (Left Hand)	UN-11030	1
24	Door Support Strap (Right Hand)	UN-11039	1
25	Door Support Strap (Left Hand)	UN-10982	1
26	Door Support Strap (Right Hand)	UN-10983	1
27	Door Hinge to suit UN-10577 & UN-10581	UN-10579	
27	Door Hinge to suit UN-11031 & UN-11035	UN-10978	
27	Door Hinge to suit UN-11033 & UN-11037	UN-10978	
27	Door Hinge to suit UN-10970 & UN-10973	UN-10975	
28	Rear Wear Plate (Up to 2008)	UN-10303	2
28	Rear Wear Plate LH (2009 Onwards)	UN-12543	1
28	Rear Wear Plate RH (2009 Onwards)	UN-12544	1
29	4th Wear Plate (Up to 2008)	UN-10302	2
29	4th Wear Plate LH (2009 Onwards)	UN-12541	1
29	4th Wear Plate RH (2009 Onwards)	UN-12542	1
30	Star Box Wear Plate (Up to 2008)	UN-10984	2
30	Star Box Wear Plate LH (2009 Onwards)	UN-12547	1
30	Star Box Wear Plate RH (2009 Onwards)	UN-12548	1
31	Digger Wear Plate (Up to 2008)	UN-10300	2
31	Digger Wear Plate LH (2009 - 2010)	UN-12535	1
31	Digger Wear Plate RH (2009 - 2010)	UN-12536	1
31	Digger Wear Plate LH (2011 onwards - to suit inboard rollers)	UN-12700	1
31	Digger Wear Plate RH (2011 onwards - to suit inboard rollers)	UN-12701	1
32	Centre Door (Left Hand)	UN-11031	1
32	Centre Door (Left Hand - Painted 2009 onwards)	UN-15224	1
33	Centre Door (Right Hand)	UN-11035	1
33	Centre Door (Right Hand - Painted 2009 onwards)	UN-15226	1
34	Door Support Strap (Left Hand)	UN-10988	1
35	Door Support Strap (Right Hand)	UN-11042	1
36	Door Support Strap (Right Hand)	UN-11043	1
37	Gas Strut	UN-00228	12
38	Slam Lock Bracket	UN-11364	8
39	Clamp	UN-11349	4
40	Amber Reflector	UN-00226	6
41	Gas Strut Mount	UN-10773	1
42	Narrow Door seal (per linear metre) NI	UN-00727	
43	Wide Door seal (per linear metre) NI	UN-00728	

7.3



7.4D

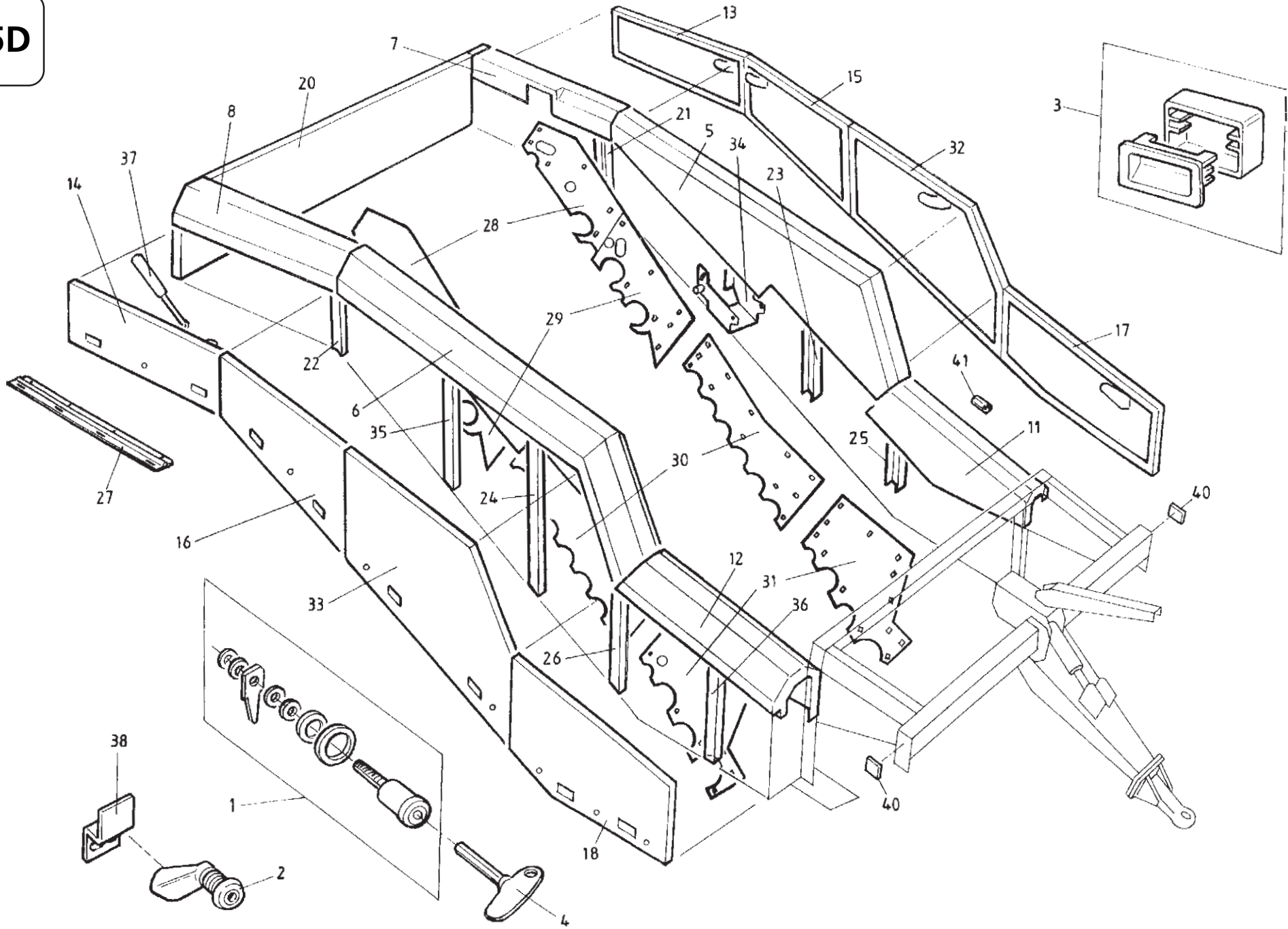


Assembly Group 7.4D - Doors, Guards & Wear Plates (Multiweb machine with Diablo / Open Front)

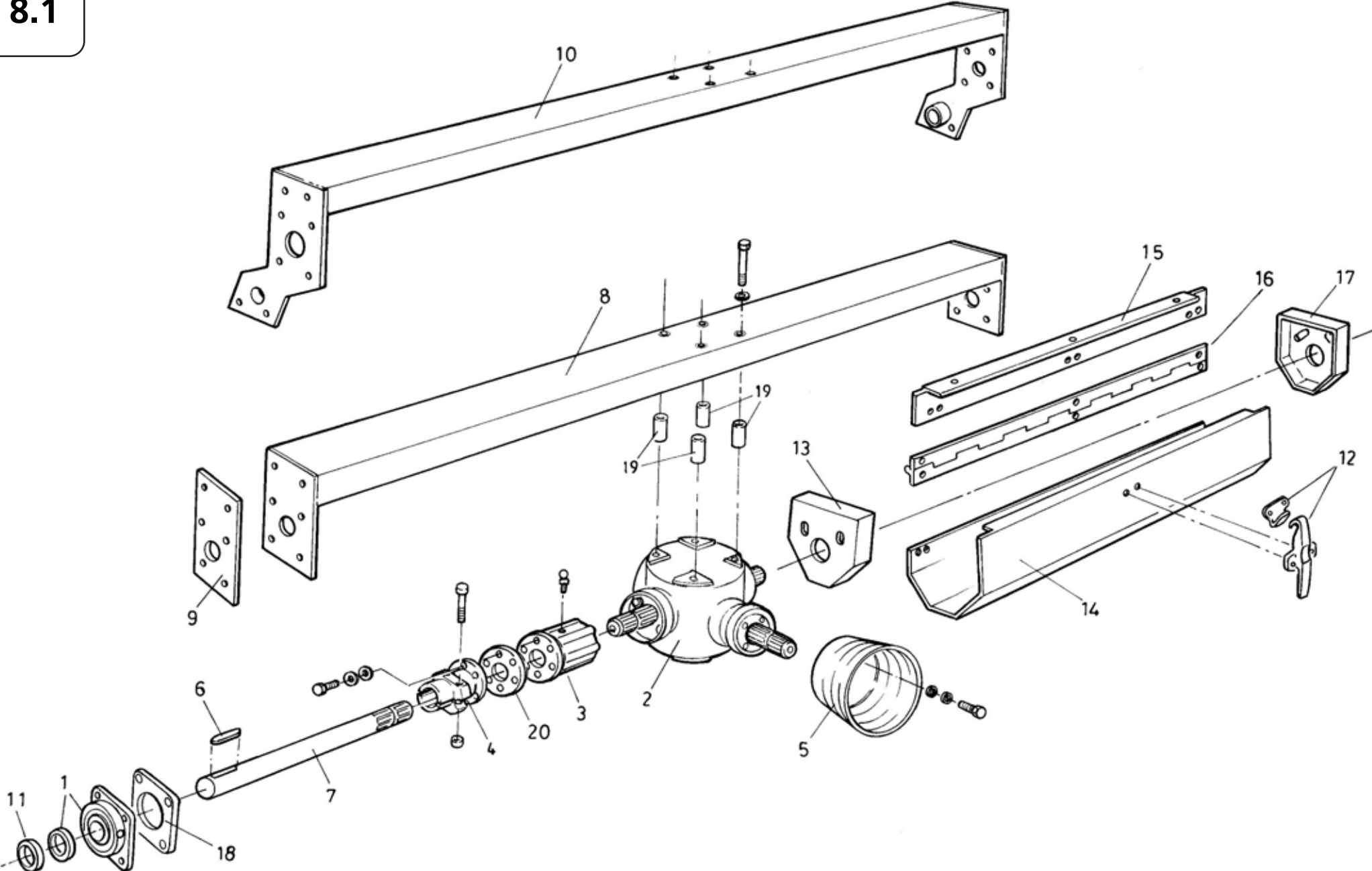
Item	Description	Part No.	Qty.
1	Door Lock (complete)	UN-00222	12
2	Slam Lock (Left Hand)	UN-01001	4
2	Slam Lock (Right Hand)	UN-01002	4
3	Door Handle (complete)	UN-00577	14
4	Door Key	UN-00640	1
5	Middle Guard (Left Hand)	UN-11351	1
6	Middle Guard (Right Hand)	UN-11354	1
7	Rear Guard (Left Hand)	UN-10550	1
8	Rear Guard (Right Hand)	UN-10555	1
11	Front Guard (Left Hand)	UN-11356	1
12	Front Guard (Right Hand)	UN-11358	1
13	Rear Door (Left Hand - Up to 2007)	UN-10577	1
13	Rear Door (Left Hand - 2008 onwards)	UN-15232	1
14	Rear Door (Right Hand - Up to 2007)	UN-10581	1
14	Rear Door (Right Hand - 2008 onwards)	UN-15234	1
15	Centre Door (Left Hand - Up to 2007)	UN-11024	1
15	Centre Door (Left Hand - 2008 onwards)	UN-15244	1
16	Centre Door (Right Hand - Up to 2007)	UN-11026	1
16	Centre Door (Right Hand - 2008 onwards)	UN-15246	1
17	Front Door (Left Hand - Up to 2007)	UN-11731	1
17	Front Door (Left Hand - 2008 onwards)	UN-15236	1
18	Front Door (Right Hand - Up to 2007)	UN-11735	1
18	Front Door (Right Hand - 2008 onwards)	UN-15238	1
20	Back Panel	UN-10678	1
21	Door Support Strap (Left Hand)	UN-10752	1
22	Door Support Strap (Right Hand)	UN-10756	1
23	Door Support Strap (Left Hand)	UN-10757	1
24	Door Support Strap (Right Hand)	UN-10761	1
25	Door Support Strap (Left Hand)	UN-10763	1
26	Door Support Strap (Right Hand)	UN-10767	1
27	Door Hinge to suit UN-10577 & UN-10581	UN-10579	
27	Door Hinge to suit UN-11022 & UN-11026	UN-10585	
27	Door Hinge to suit UN-11020 & UN-11024	UN-10585	
27	Door Hinge to suit UN-11731	UN-11733	

Item	Description	Part No.	Qty.
27	Door Hinge to suit UN-11735	UN-11737	
28	Rear Wear Plate (Up to 2008)	UN-10303	2
28	Rear Wear Plate LH (2009 onwards)	UN-12543	1
28	Rear Wear Plate RH (2009 onwards)	UN-12544	1
28	Rear Wear Plate LH (5215W machines - 2009 onwards)	UN-12647	1
28	Rear Wear Plate RH (5215W machines - 2009 onwards)	UN-12648	1
29	4th Wear Plate (Up to 2008)	UN-10302	2
29	4th Wear Plate LH (2009 onwards)	UN-12541	1
29	4th Wear Plate RH (2009 onwards)	UN-12542	1
29	4th Wear Plate LH (5215W machines - 2009 onwards)	UN-12645	1
29	4th Wear Plate RH (5215W machines - 2009 onwards)	UN-12646	1
30	3rd Wear Plate (Up to 2008)	UN-10301	2
30	3rd Wear Plate LH (2009 onwards)	UN-12539	1
30	3rd Wear Plate RH (2009 onwards)	UN-12540	1
31	2nd Wear Plate (Up to 2008)	UN-10770	2
31	2nd Wear Plate LH (2009 onwards)	UN-12537	1
31	2nd Wear Plate RH (2009 onwards)	UN-12538	1
32	Digger Wear Plate (Up to 2008)	UN-10300	2
32	Digger Wear Plate LH (2009 - 2010)	UN-12535	1
32	Digger Wear Plate RH (2009 - 2010)	UN-12536	1
32	Digger Wear Plate LH (2011 onwards - to suit inboard rollers)	UN-12700	1
32	Digger Wear Plate RH (2011 onwards - to suit inboard rollers)	UN-12701	1
33	Centre Door (Left Hand - Up to 2007)	UN-11020	1
33	Centre Door (Left Hand - 2008 onwards)	UN-15240	1
34	Centre Door (Right Hand - Up to 2007)	UN-11022	1
34	Centre Door (Right Hand - 2008 onwards)	UN-15242	1
35	Door Support Strap (Right Hand)	UN-11046	1
36	Door Support Strap (Left Hand)	UN-11045	1
37	Gas Strut	UN-00228	10
38	Slam Lock Bracket	UN-11364	8
40	Amber Reflector	UN-00226	6
41	Narrow Door seal (per linear metre) NI	UN-00727	
42	Wide Door seal (per linear metre) NI	UN-00728	

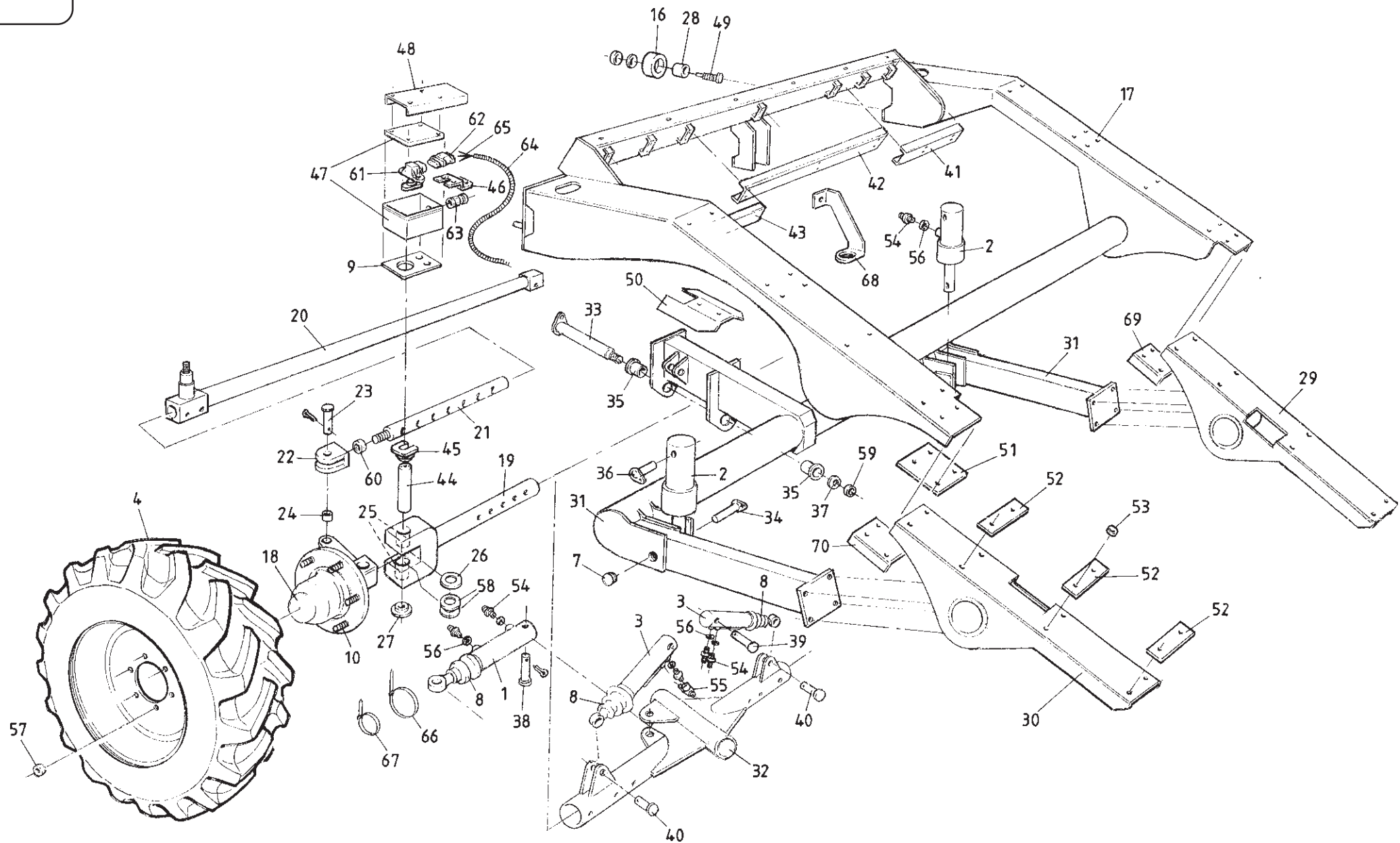
7.5D



8.1



9.1



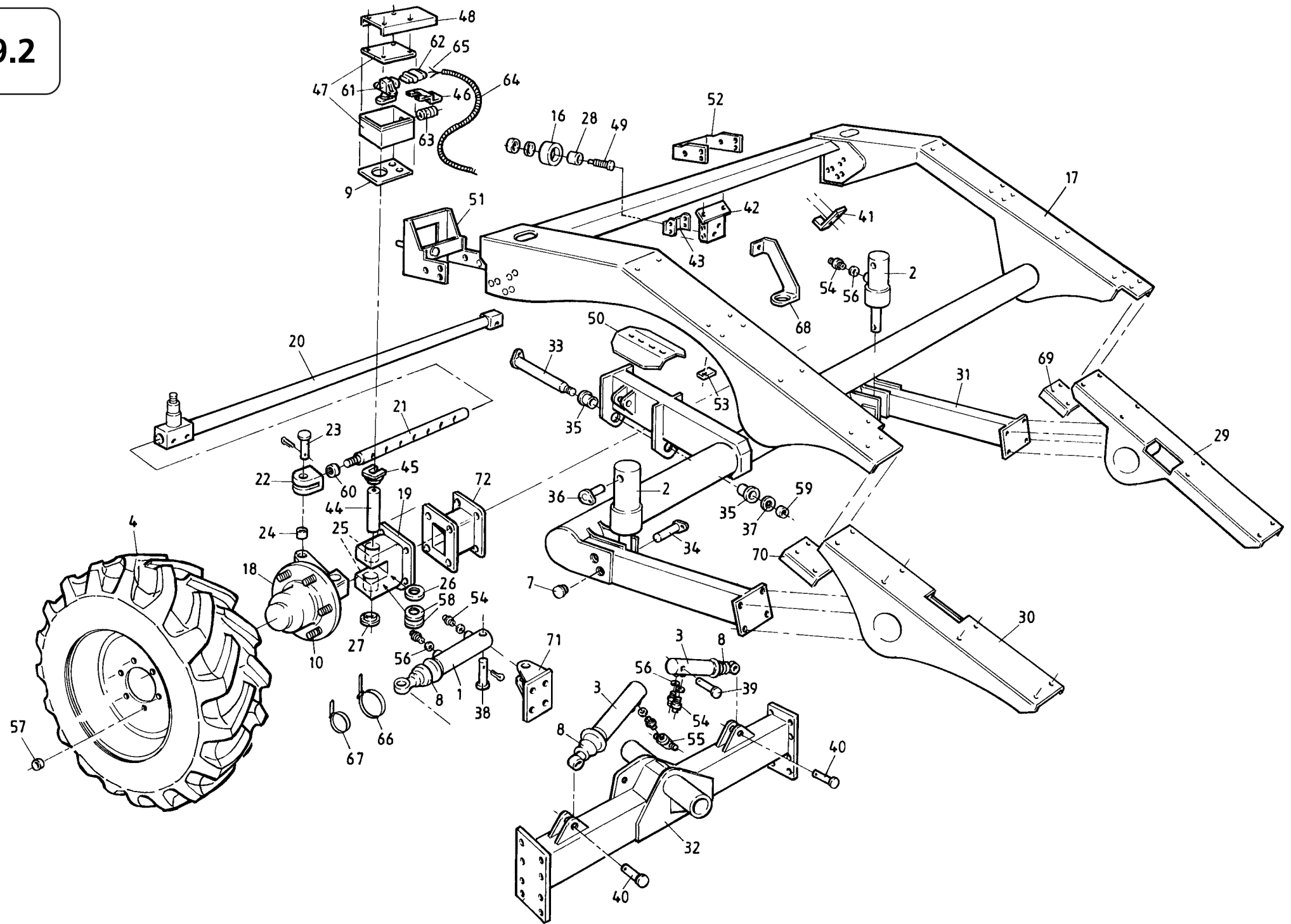
Assembly Group 9.1 - Axle Assembly (Yr. 2004)

Item	Description	Part No.	Qty.
1	Steering Ram	UN-00113	1
1A	Steering Ram Seal Kit	UN-00130	
2	Rear Lift Ram	UN-00115	2
2A	Rear Lift Ram Seal Kit	UN-00116	
3	Levelling Ram	UN-00117	2
3A	Levelling Ram Seal Kit	UN-00114	
4	Wheel (Complete) 335 / 80 R20 Track Grip	UN-00233	2
	Wheel Rim Only	UN-00428	2
	Tyre Only	UN-00429	2
7	Plastic Plug	UN-00586	2
8	Ram Boot	UN-00589	3
9	Rubber Mat	UN-00592	1
10	Wheel Stud	UN-00705	12
16	Cross Conveyor Roller	UN-10655	2
17	Support Assembly (Narrow Machines)	UN-10080	1
17	Support Assembly (Wide Machines)	UN-10098	1
18	Stub Assembly	UN-10105	2
19	Axle Stub	UN-10115	2
20	Track Tube (Narrow Machines)	UN-10150	1
20	Track Tube (Wide Machines)	UN-10155	1
21	Track Rod	UN-12877	2
22	Track Rod End	UN-10158	2
23	Track Rod Pin	UN-10159	2
24	Track Rod Arm Bush	UN-10160	2
25	Stub Pin Bush	UN-10161	4
26	Axle Thrust Washer	UN-10162	2
27	End Cap	UN-10163	3
28	Roller Bush	UN-10164	2
29	LH Frame Support	UN-10180	1
30	RH Frame Support	UN-10186	1
31	Axle Mount Assembly (Narrow Machines)	UN-10188	1
31	Axle Mount Assembly (Wide Machines)	UN-10201	1
32	Axle Tube (Wide Machines)	UN-10203	1
32	Axle Tube (Narrow Machines)	UN-10270	1
33	Levelling Axle Pivot Pin	UN-10281	1
34	Rear Lift Ram Pin - Lower	UN-10284	2
35	Pivot Pin Bush	UN-10287	2
36	Rear Lift Ram Pin - Upper	UN-10288	2

Item	Description	Part No.	Qty.
37	Clamp Washer	UN-10290	1
38	Steering Ram Pin	UN-10291	1
39	Levelling Ram Pin - Upper	UN-10292	2
40	Levelling Ram Pin - Lower	UN-10293	2
41	LH Pipe Clamp	UN-11372	1
42	Centre Pipe Clamp (Narrow Machines)	UN-11371	1
42	Centre Pipe Clamp (Wide Machines)	UN-11373	1
43	RH Pipe Clamp	UN-11374	1
44	Axle Stub Pin	UN-10497	2
45	Sensor Pin Mount	UN-10510	1
46	Sensor Bracket	UN-10511	1
47	Sensor Box	UN-10512	1
48	Deflector	UN-10513	1
49	Roller Pin	UN-10656	2
50	Deflector Plate	UN-10796	1
51	4 Hole Stiffener Plate	UN-11015	2
52	2 Hole Stiffener Plate - (Multiweb Machines)	UN-11016	6
52	2 Hole Stiffener Plate - (Star Machines)	UN-11019	6
53	Washer	UN-11017	16
54	3/8" x 1/4" BSP MM Adapter	UN-05003	8
55	1/4" BSP MMF Tee	UN-05055	2
56	3/8" Dowty Washer	UN-05101	8
57	Wheel Nut		12
58	M36 Plain Washer	W4M36	4
59	M24 Full Nut		1
60	M24 Half Nut		2
61	Sensor	UN-00923	1
62	Sensor Connector	UN-00924	1
63	10mm Cable Gland	UN-00925	1
64	Flexi-Conduit	UN-00926	1
65	3 Core Cable (No longer available)	UN-00927	1
66	Cable Tie - Large	UN-00896	3
67	Cable Tie - Small	UN-00895	3
68	Hose Support Bracket	UN-11007	1
69	Clamp / Ram Mount Plate (Left Hand)	UN-11050	1
70	Clamp / Ram Mount Plate (Right Hand)	UN-11051	1

A/R = As Required NI = Not Illustrated N/A = Not Applicable

9.2



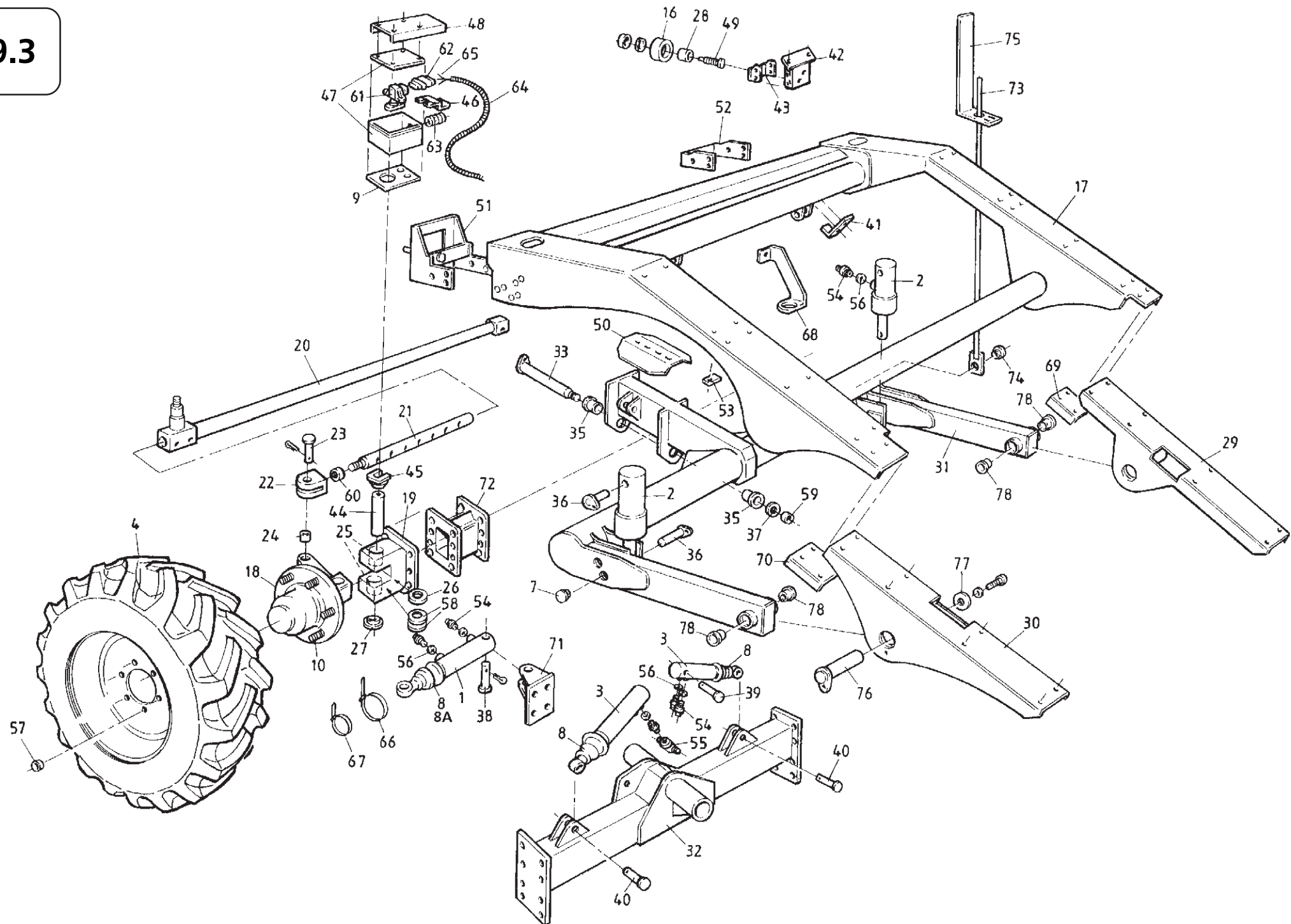
Assembly Group 9.2 - Axle Assembly (Yr. 2005)

Item	Description	Part No.	Qty.
1	Steering Ram	UN-00113	1
1A	Steering Ram Seal Kit	UN-00130	
2	Rear Lift Ram	UN-00139	2
2A	Rear Lift Ram Seal Kit	UN-00140	
3	Levelling Ram	UN-00117	2
3A	Levelling Ram Seal Kit	UN-00114	
4	Wheel (Complete) 335 / 80 R20 Track Grip	UN-00233	2
	Wheel Rim Only	UN-00428	2
	Tyre Only	UN-00429	2
4	Wheel (Complete) 12.5 / 80 x 18 Track Grip	UN-01135	2
	Wheel Rim Only	UN-01715	2
	Tyre Only	UN-01716	2
7	Plastic Plug	UN-00586	2
8	Ram Boot	UN-00589	3
9	Rubber Mat	UN-00592	1
10	Wheel Stud	UN-00705	12
16	Cross Conveyor Roller	UN-10655	2
17	Support Assembly (Narrow Machines)	UN-11140	1
17	Support Assembly (Wide Machines)	UN-11150	1
18	Stub Assembly	UN-10105	2
19	Axle Stub	UN-11120	2
20	Track Tube	UN-11138	1
21	Track Rod	UN-12877	2
22	Track Rod End	UN-10158	2
23	Track Rod Pin	UN-10159	2
24	Track Rod Arm Bush	UN-10160	2
25	Stub Pin Bush	UN-10161	4
26	Axle Thrust Washer	UN-10162	2
27	End Cap	UN-10163	3
28	Roller Bush	UN-10164	2
29	LH Frame Support	UN-10180	1
30	RH Frame Support	UN-10186	1
31	Axle Mount Assembly (Narrow Machines)	UN-10188	1
31	Axle Mount Assembly (Wide Machines)	UN-10201	1
32	Axle Crossmember	UN-11110	1
33	Levelling Axle Pivot Pin	UN-10281	1
35	Pivot Pin Bush	UN-10287	2
36	Rear Lift Ram Pin	UN-10288	4
37	Clamp Washer	UN-10290	1

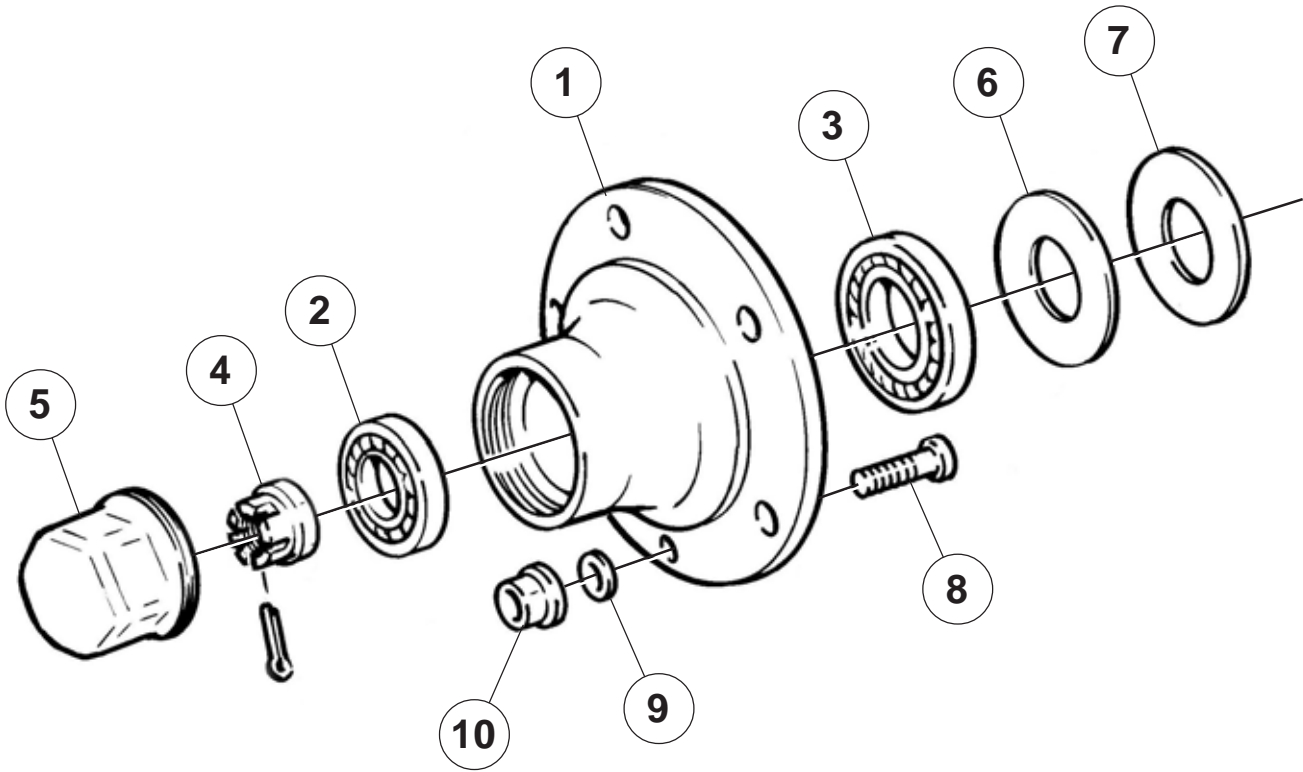
Item	Description	Part No.	Qty.
38	Steering Ram Pin	UN-10291	1
39	Levelling Ram Pin - Upper	UN-10292	2
40	Levelling Ram Pin - Lower	UN-10293	2
41	Pipe Clamp	UN-11199	4
42	Centre Roller Mount	UN-11154	1
43	Centre Roller Support	UN-11158	1
44	Axle Stub Pin	UN-10497	2
45	Sensor Pin Mount	UN-10510	1
46	Sensor Bracket	UN-10511	1
47	Sensor Box	UN-10512	1
48	Deflector	UN-10513	1
49	Roller Pin	UN-10656	2
50	Deflector Plate	UN-10796	1
51	Roller Support (Right Hand - Narrow Machines)	UN-11160	1
51	Roller Support (Right Hand - Wide Machines)	UN-11195	1
52	Roller Support (Left Hand)	UN-11159	1
53	Hose Support	UN-10296	4
54	3/8" x 1/4" BSP MM Adapter	UN-05003	8
55	1/4" BSP MMF Tee	UN-05055	2
56	3/8" Dowty Washer	UN-05101	8
57	Wheel Nut		12
58	M36 Plain Washer	W4M36	4
59	M24 Full Nut		1
60	M24 Half Nut		2
61	Sensor	UN-00923	1
62	Sensor Connector	UN-00924	1
63	10mm Cable Gland	UN-00925	1
64	Flexi-Conduit	UN-00926	1
65	3 Core Cable	UN-00927	1
66	Cable Tie - Large	UN-00896	3
67	Cable Tie - Small	UN-00895	3
68	Hose Support Bracket	UN-11007	1
69	Clamp / Ram Mount Plate (Left Hand)	UN-11050	1
70	Clamp / Ram Mount Plate (Right Hand)	UN-11051	1
71	Ram Mount Bracket	UN-11125	1
72	Axle Extension - 68 "	UN-11129	2
72	Axle Extension - 72 "	UN-11132	2
72	Axle Extension - 76 "	UN-11134	2
72	Axle Extension - 80 "	UN-11136	2

A/R = As Required NI = Not Illustrated N/A = Not Applicable

9.3



9.4

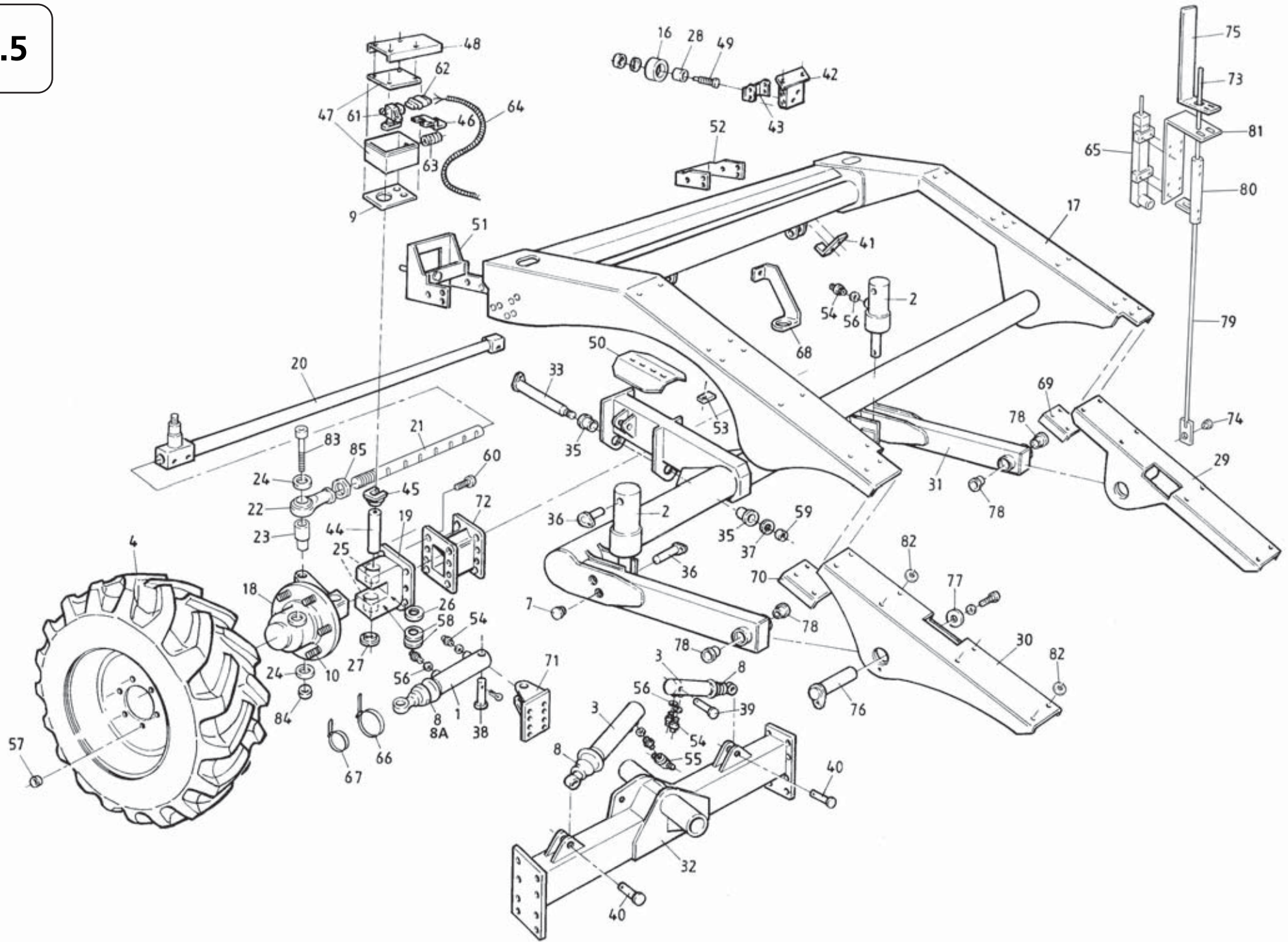


Assembly Group 9.4 - Hub Assembly

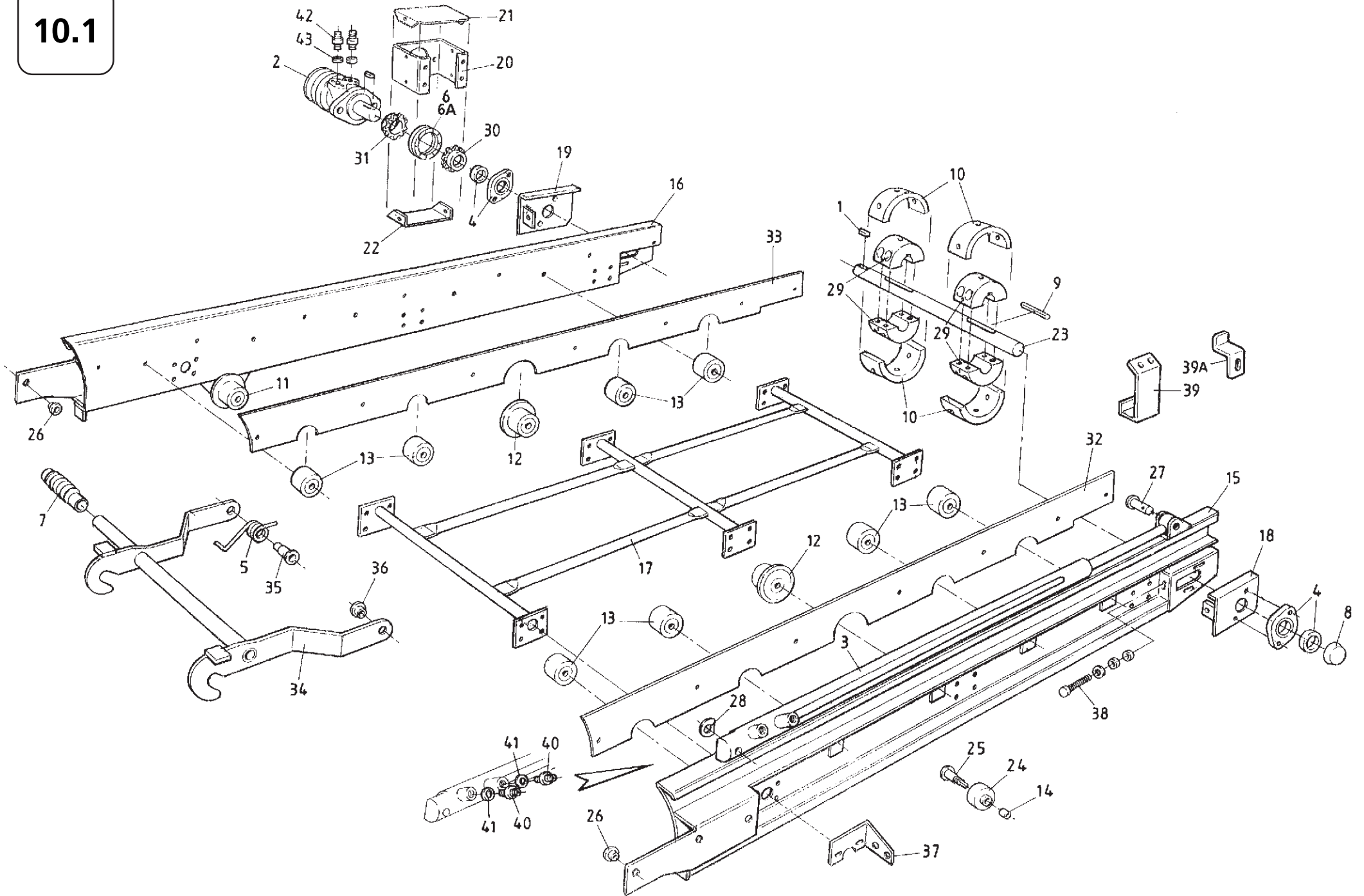
2004 Machines

Machines from 2005 Onwards

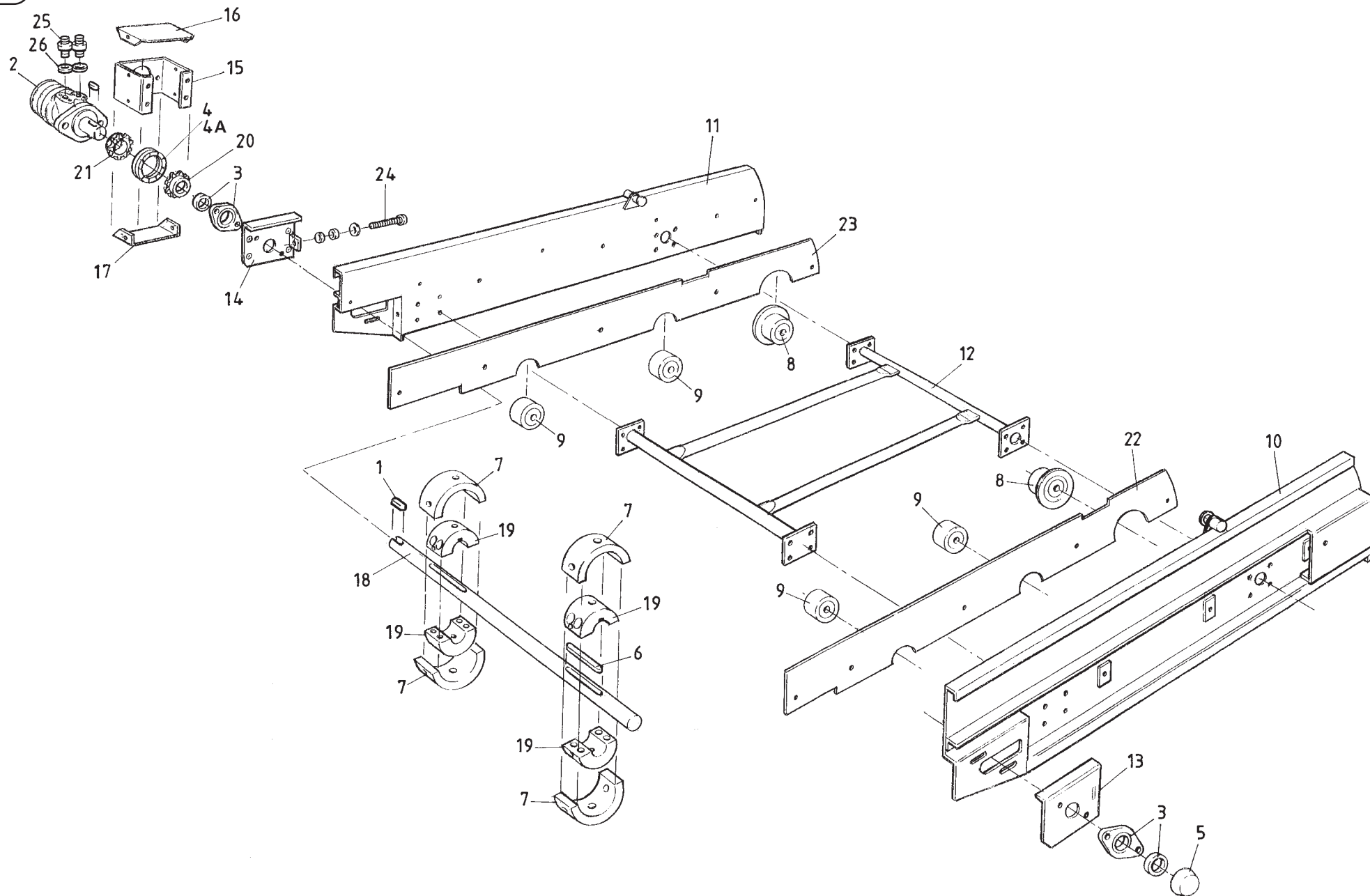
Item	Description	for FAD Hub	for ROC Hub
1	Hub	UN-00700	UN-00716
2	Outer Bearing	UN-00242	UN-00242
3	Inner Bearing	UN-00243	UN-00249
4	Nut	UN-00702	UN-00717
5	Hub Cap	UN-00701	UN-00715
6	Seal	UN-00706	UN-00718
7	Outer Backplate	UN-00719	UN-00719
8	Stud	UN-00705	UN-01477
9	Bevel Washer	UN-00873	-
10	Wheel Nut	UN-00872	(Cone Type) UN-01478 (Flat Type) UN-00872



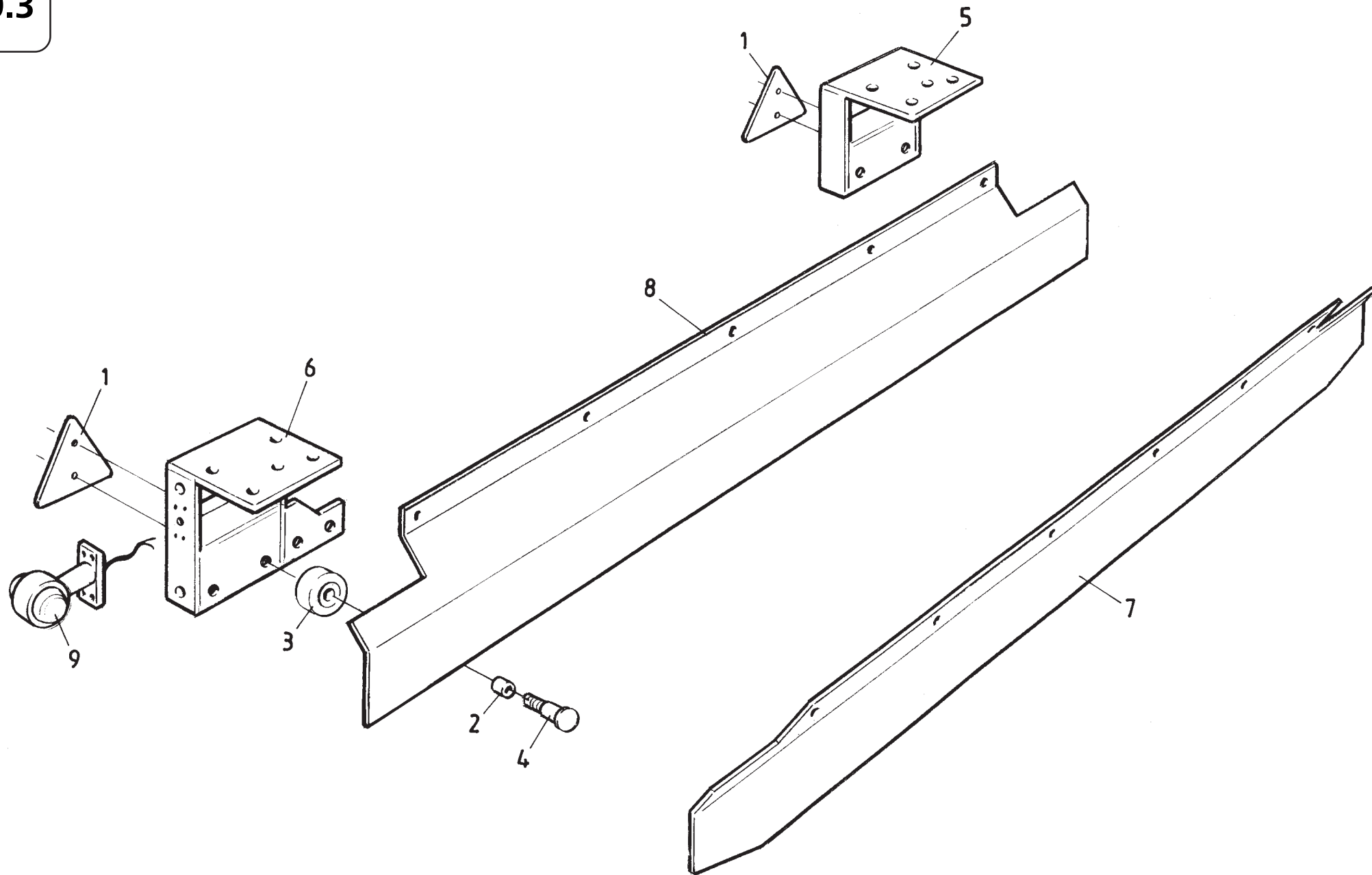
10.1



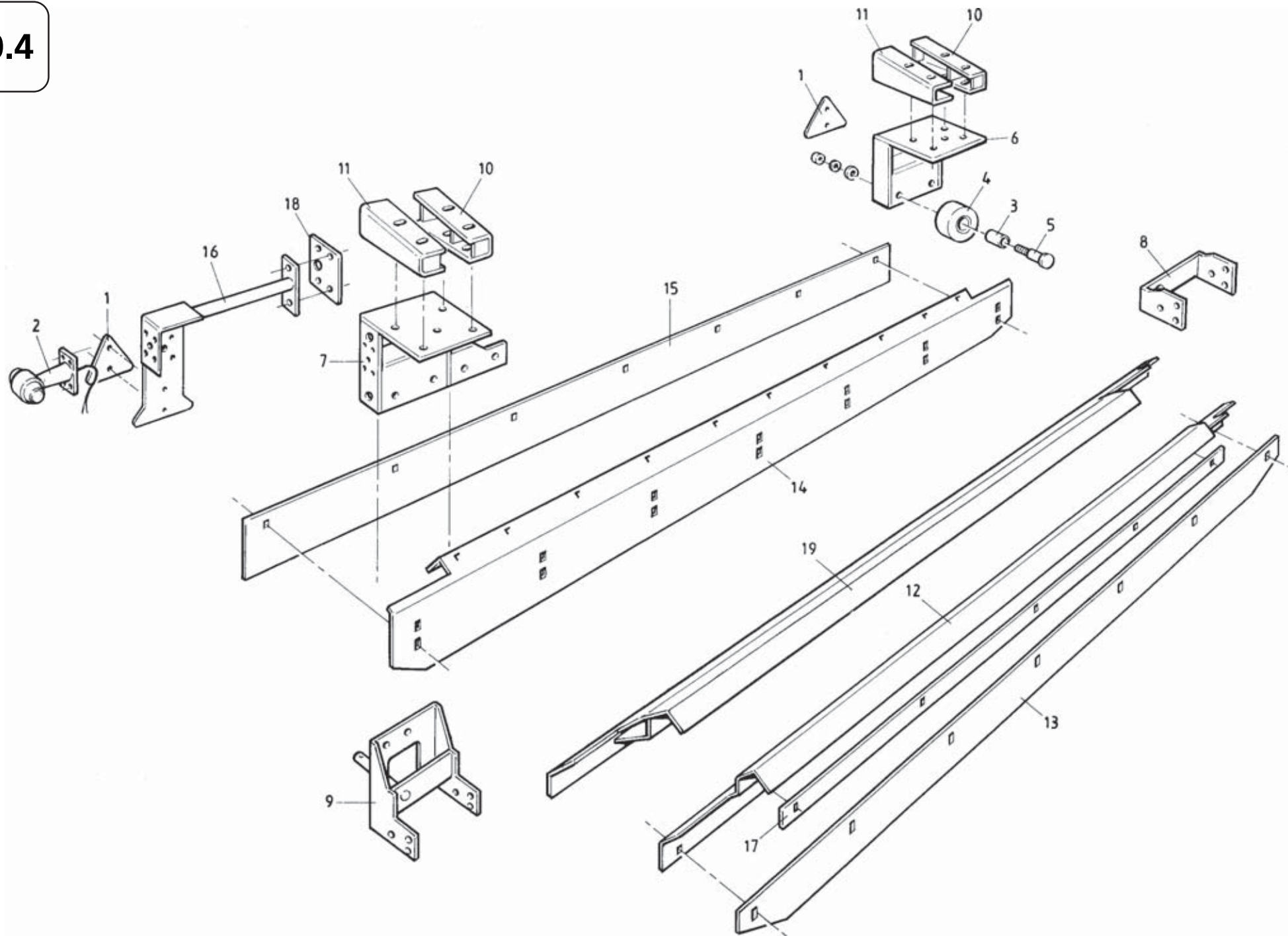
10.2



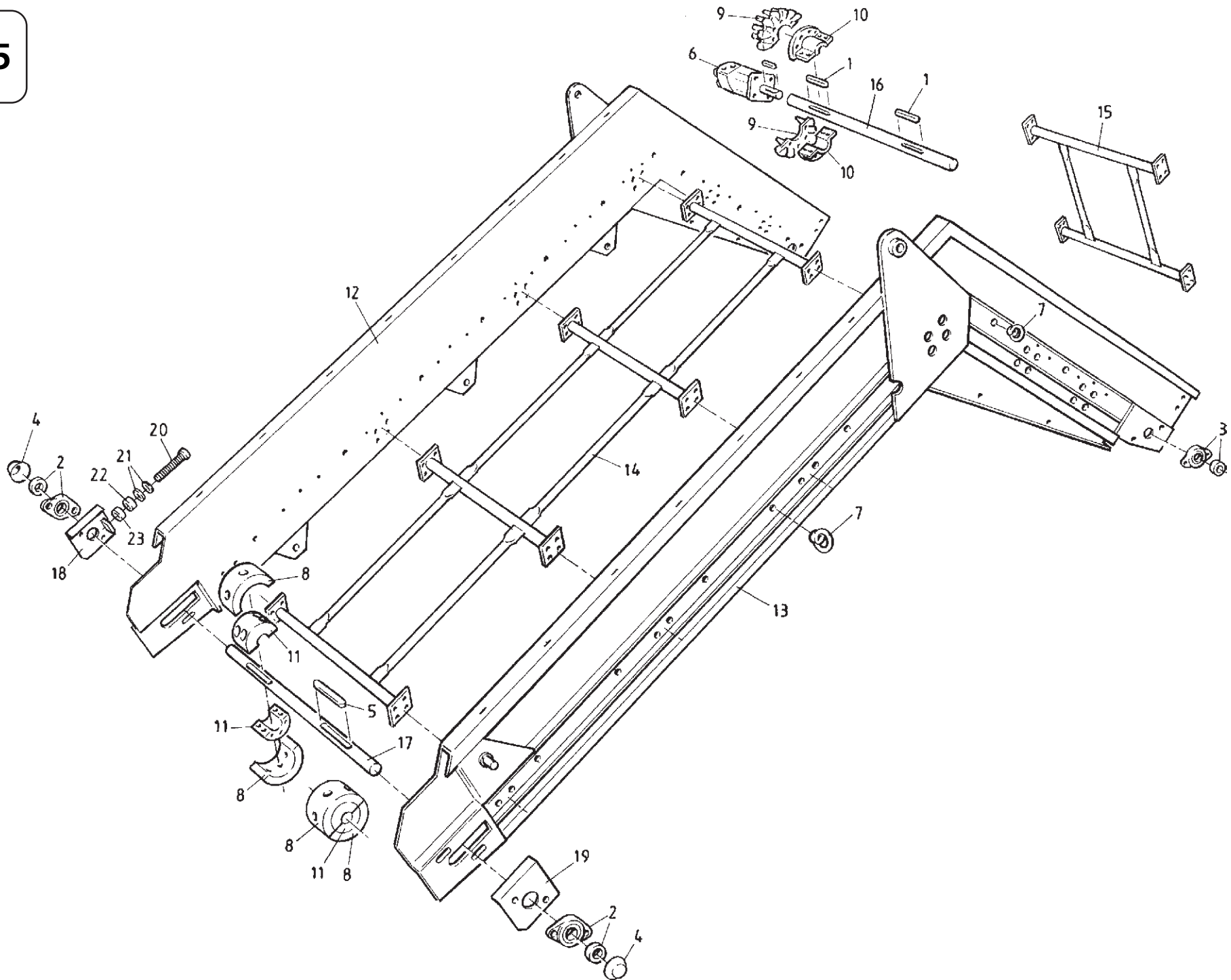
10.3



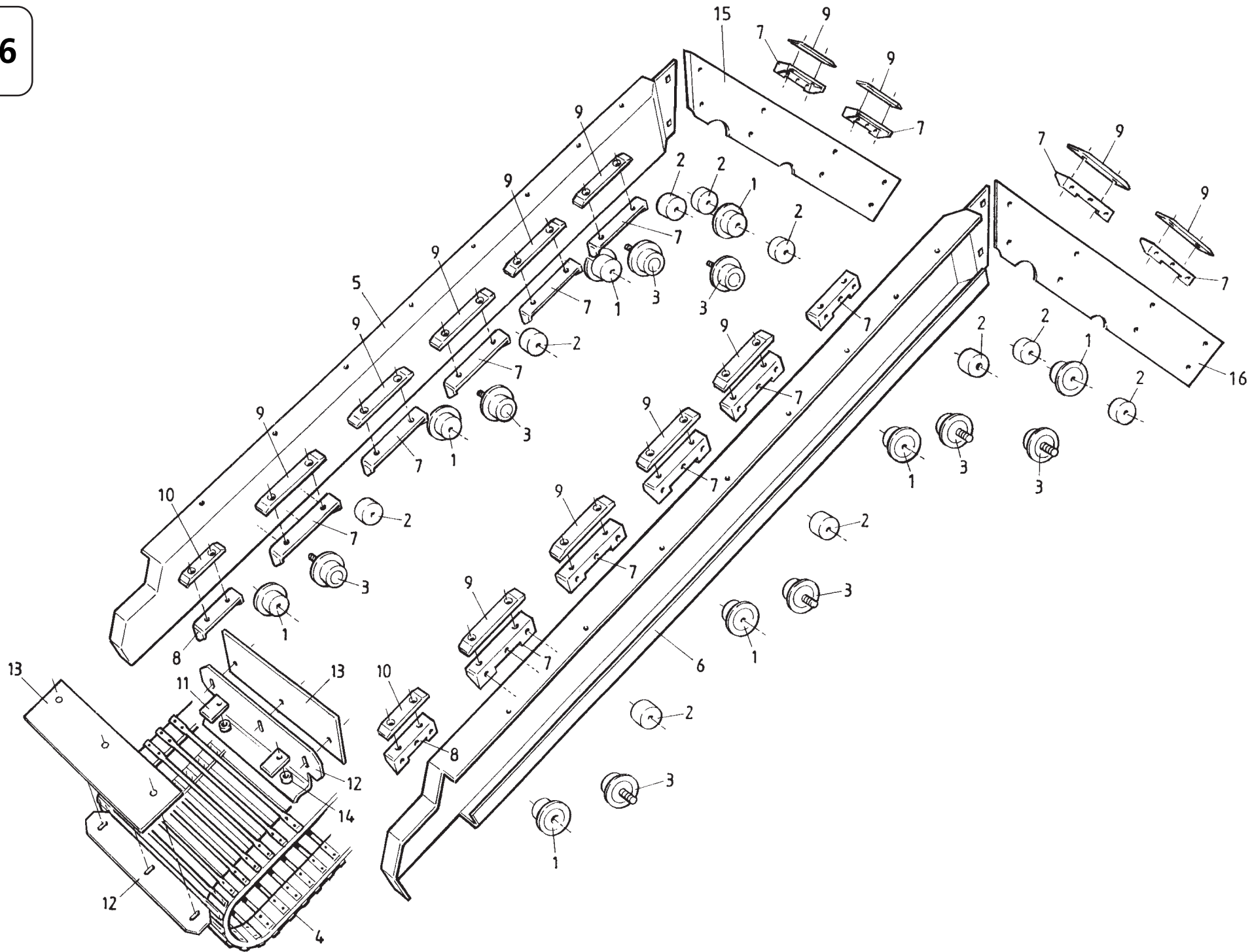
10.4



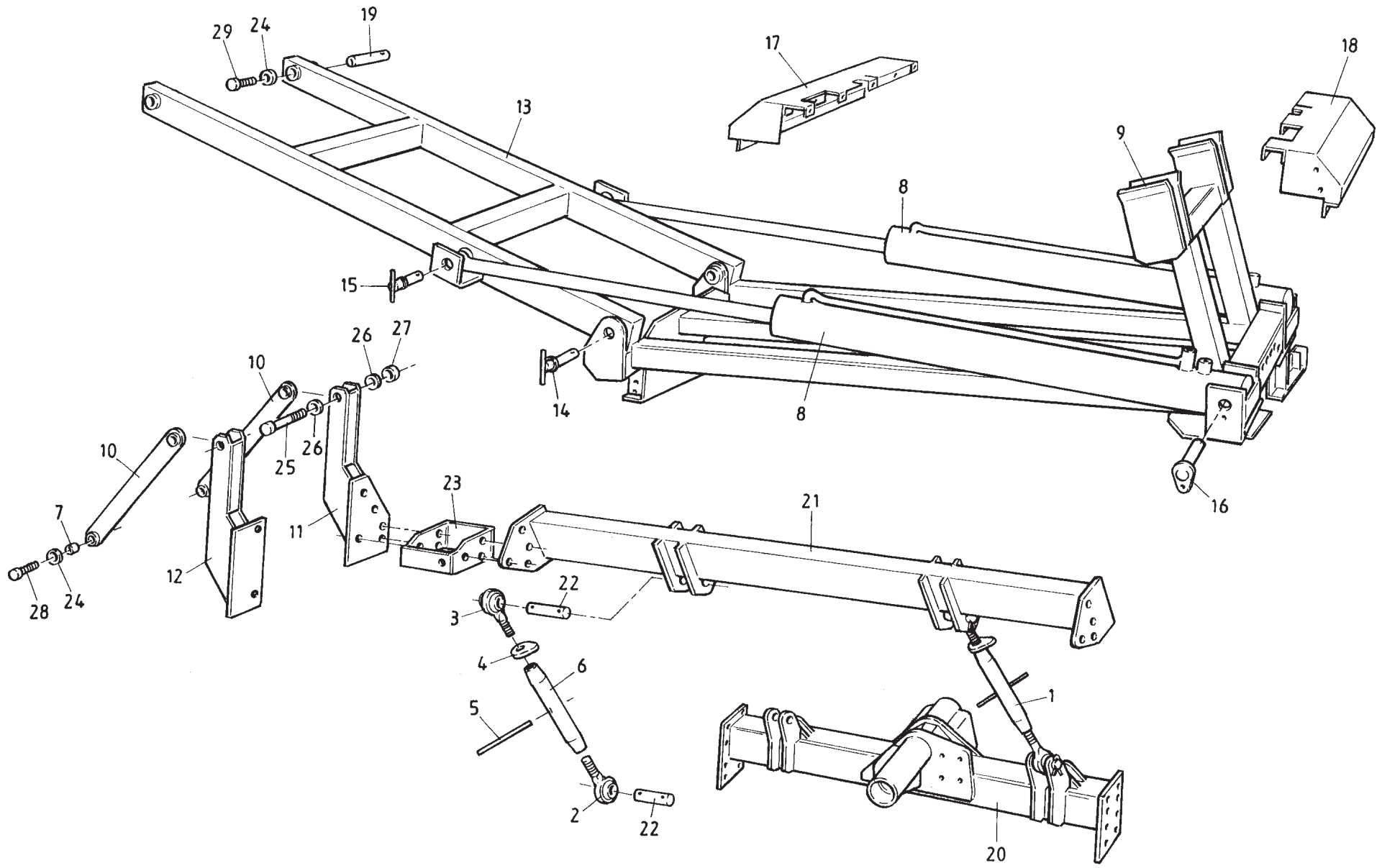
10.5



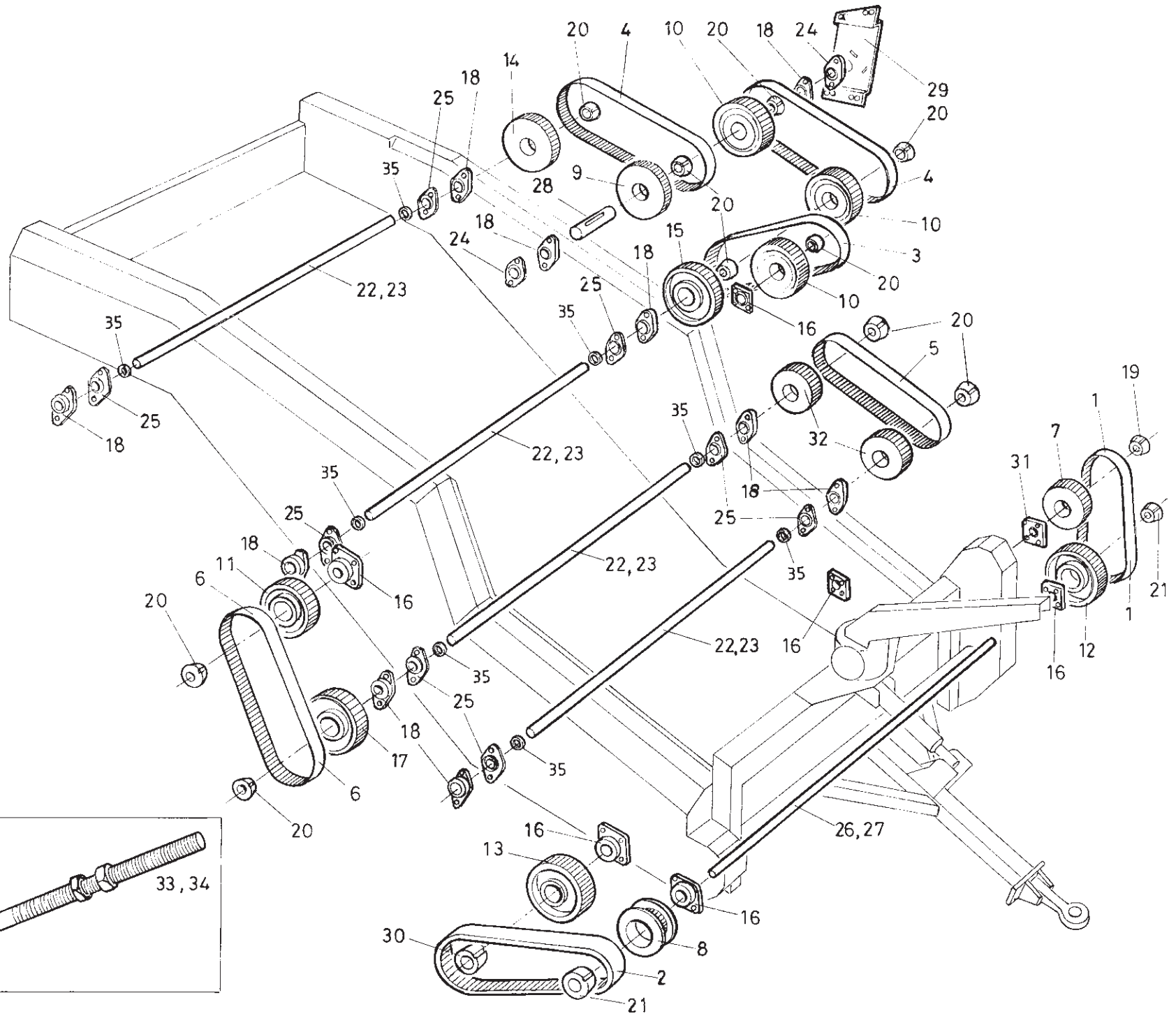
10.6



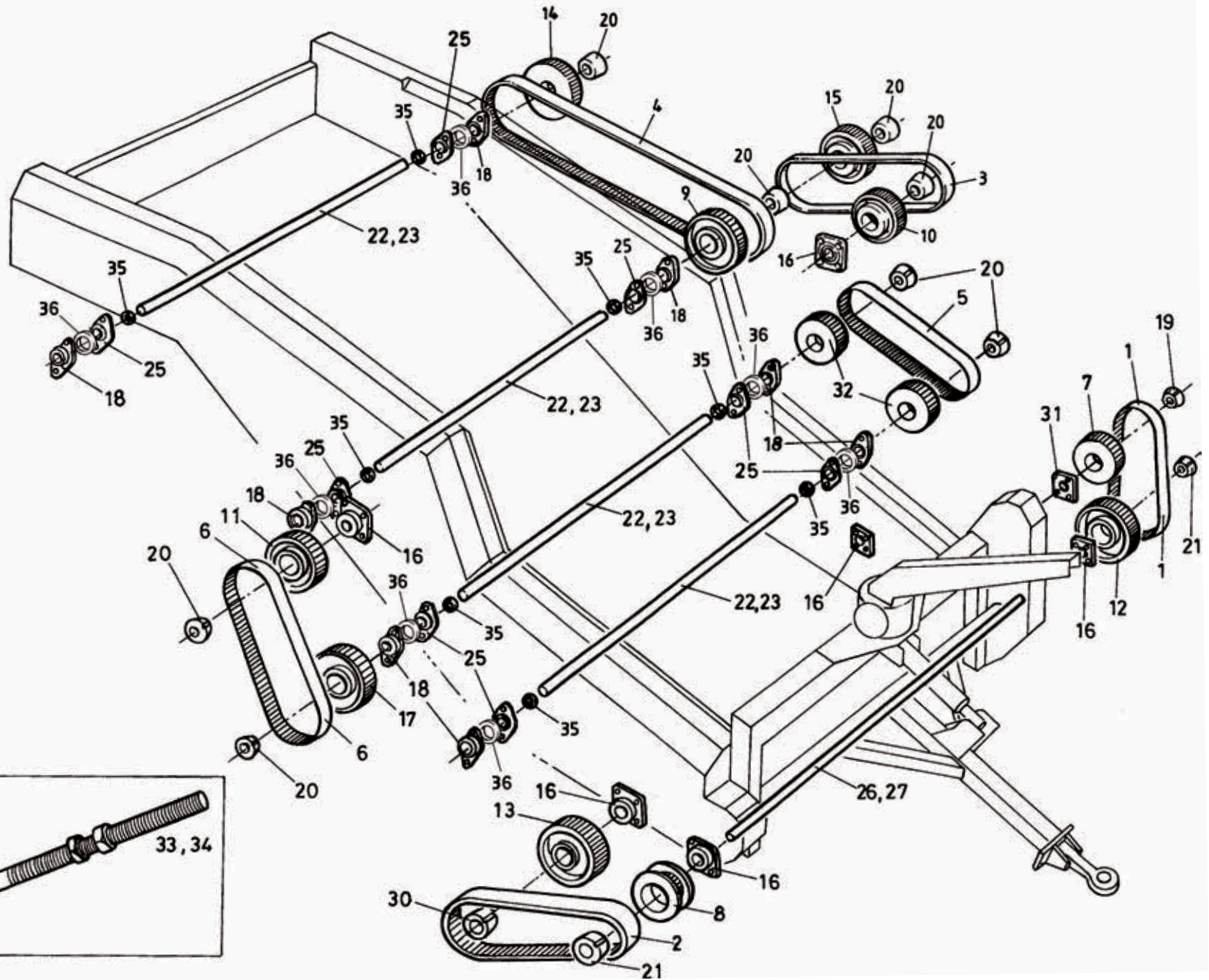
10.7



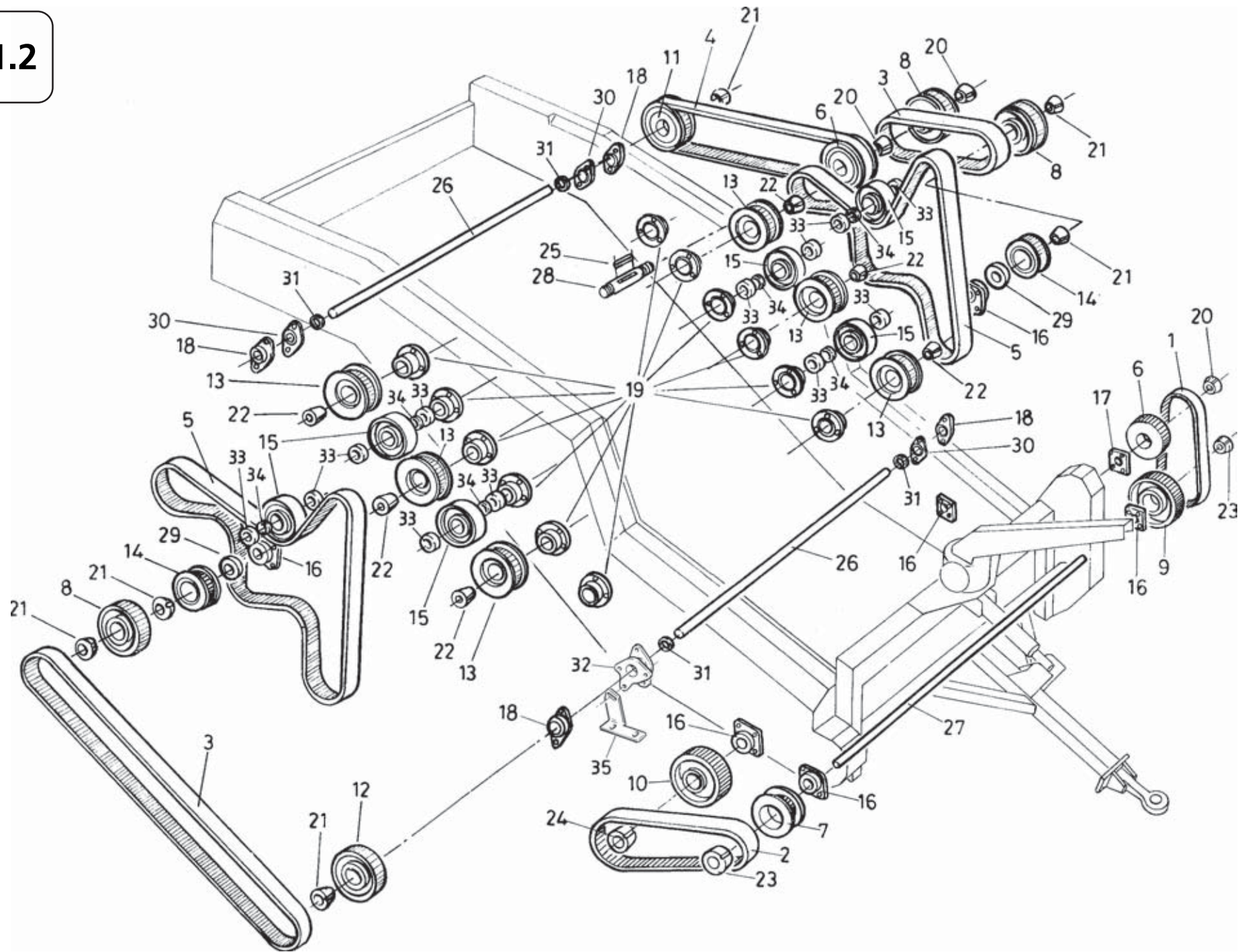
11.1



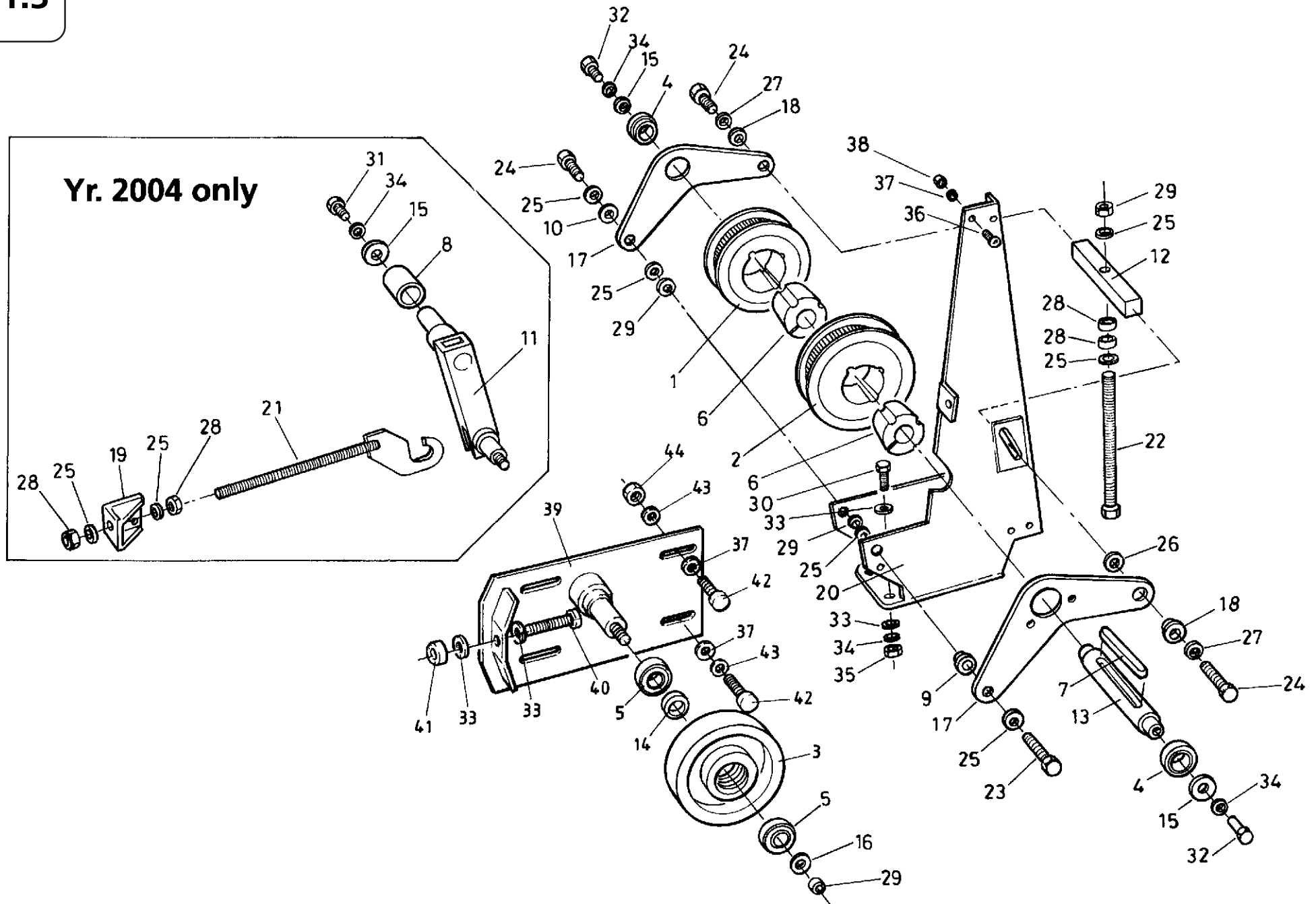
11.1A



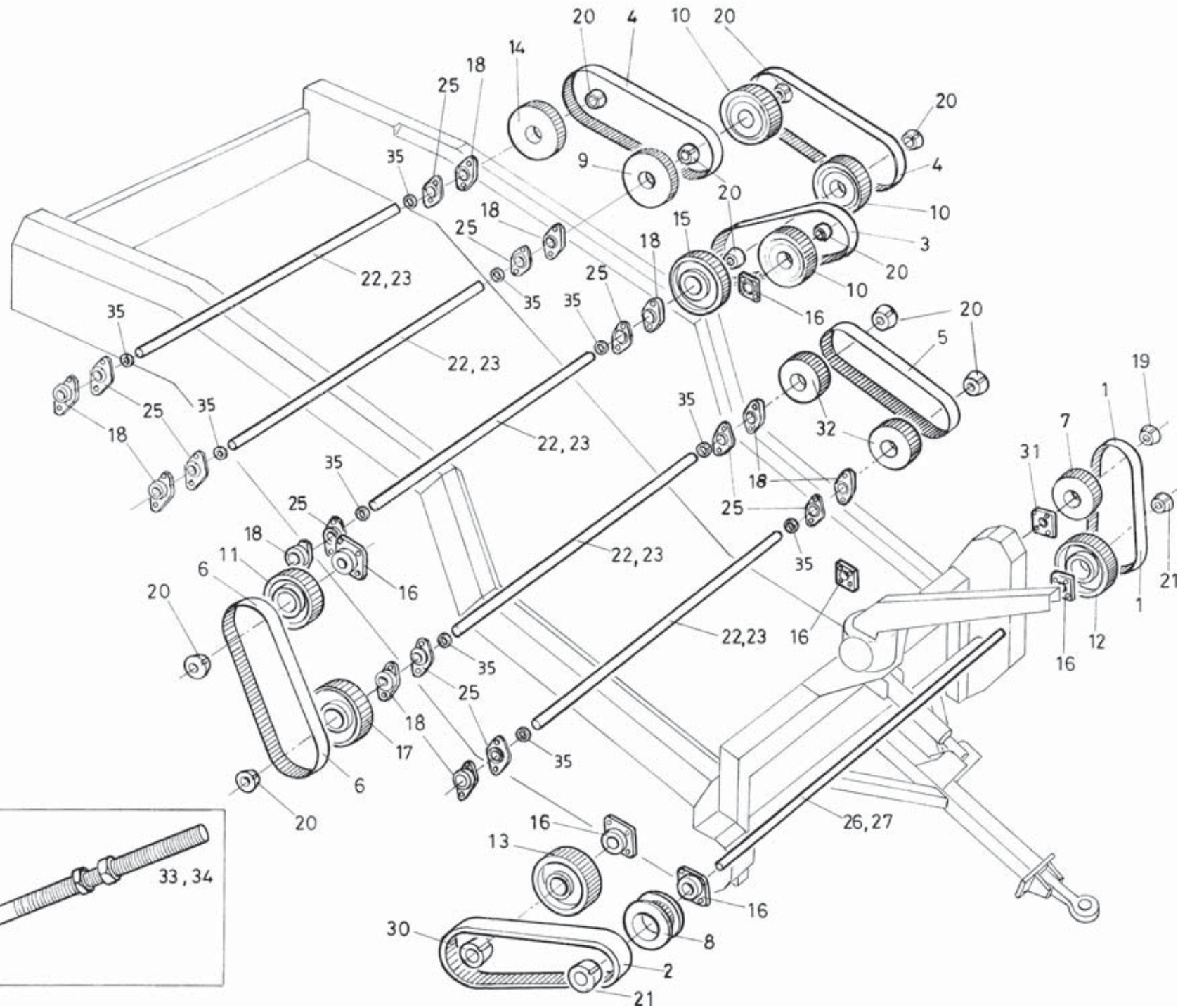
11.2



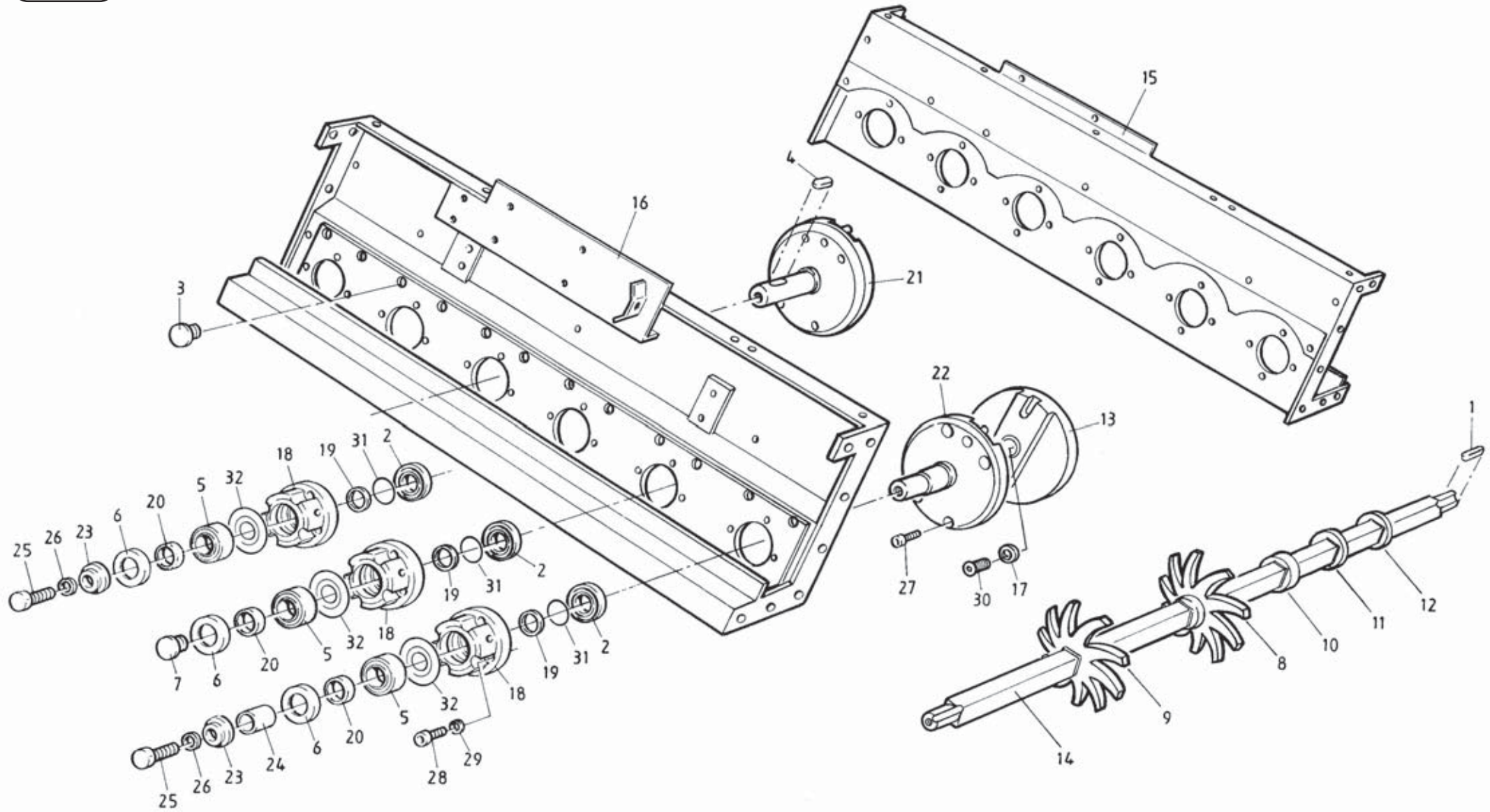
11.3



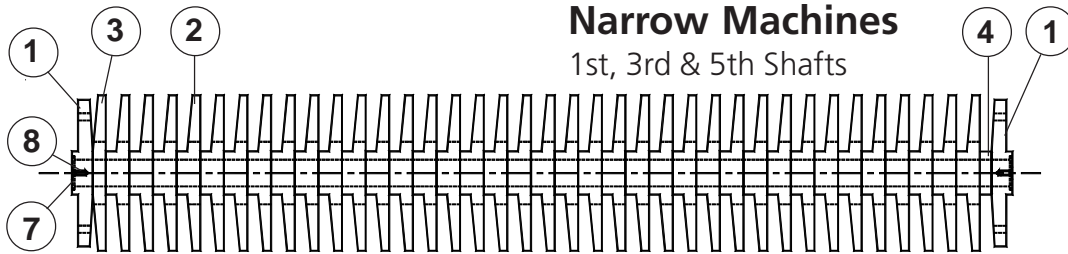
11.4



12.1



Assembly Group 12.2 - Drop Out Star Shafts (40mm Spacings)



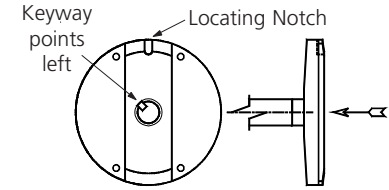
Narrow Machines

1st, 3rd & 5th Shafts

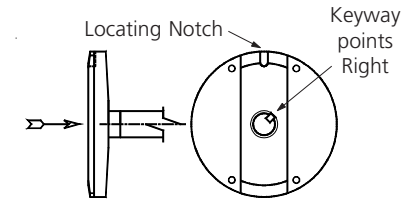
Item	Description	Part No.	Qty.
1	Bolt-on Flange LH	UN-10452	1
1	Bolt-on Flange RH	UN-10599	1
1	Welded Flange/Shaft LH	UN-12280	1
1	Welded Flange/Shaft RH	UN-12281	1
2	Full Star	UN-02995	37
3	Half Star	UN-02996	1
4	20mm Ring	UN-02997	1
5	5mm Ring	UN-02998	-
6	2.5mm Ring	UN-02999	-
7	Washer	UN-10474	2
8	Screw M8x25	UN-S1M8x25	2

Star Shafts are fitted with a bolt on flange to one end but are welded to the flange at the opposite end of the Shaft.

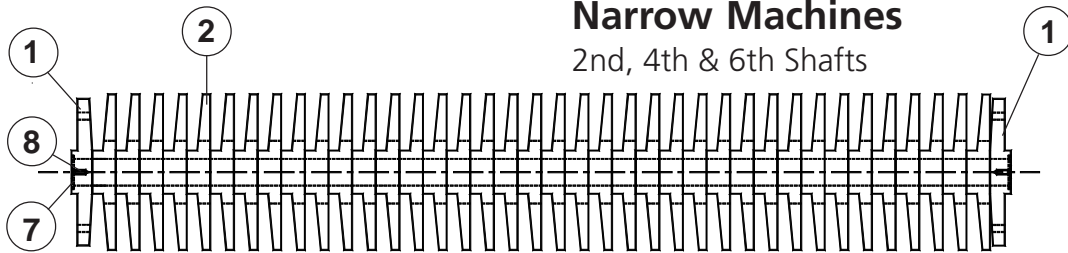
Use this diagram to determine whether to order a left or right hand replacement shaft



View on Welded end of shaft (Left Hand)



View on Welded end of shaft (Right Hand)



Narrow Machines

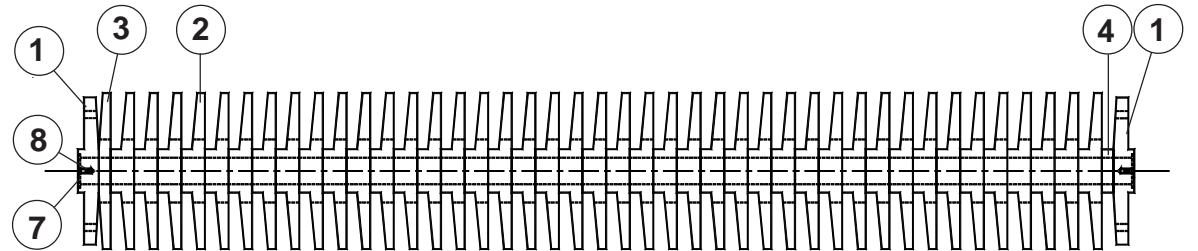
2nd, 4th & 6th Shafts

Item	Description	Part No.	Qty.
1	Bolt-on Flange LH	UN-10452	1
1	Bolt-on Flange RH	UN-10599	1
1	Welded Flange/Shaft LH	UN-12280	1
1	Welded Flange/Shaft RH	UN-12281	1
2	Full Star	UN-02995	38
3	Half Star	UN-02996	-
4	20mm Ring	UN-02997	-
5	5mm Ring	UN-02998	-
6	2.5mm Ring	UN-02999	-
7	Washer	UN-10474	2
8	Screw M8x25	UN-S1M8x25	2

Item	Description	Part No.	Qty.
1	Bolt-on Flange LH	UN-10452	1
1	Bolt-on Flange RH	UN-10599	1
1	Welded Flange/Shaft LH	UN-12282	1
1	Welded Flange/Shaft RH	UN-12283	1
2	Full Star	UN-02995	42
3	Half Star	UN-02996	1
4	20mm Ring	UN-02997	1
5	5mm Ring	UN-02998	-
6	2.5mm Ring	UN-02999	-
7	Washer	UN-10474	2
8	Screw M8x25	UN-S1M8x25	2

Wide Machines

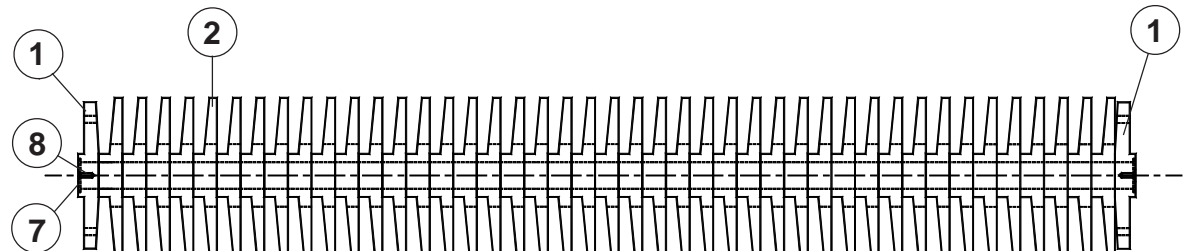
1st, 3rd & 5th Shafts



Item	Description	Part No.	Qty.
1	Bolt-on Flange LH	UN-10452	1
1	Bolt-on Flange RH	UN-10599	1
1	Welded Flange/Shaft LH	UN-12282	1
1	Welded Flange/Shaft RH	UN-12283	1
2	Full Star	UN-02995	43
3	Half Star	UN-02996	-
4	20mm Ring	UN-02997	-
5	5mm Ring	UN-02998	-
6	2.5mm Ring	UN-02999	-
7	Washer	UN-10474	2
8	Screw M8x25	UN-S1M8x25	2

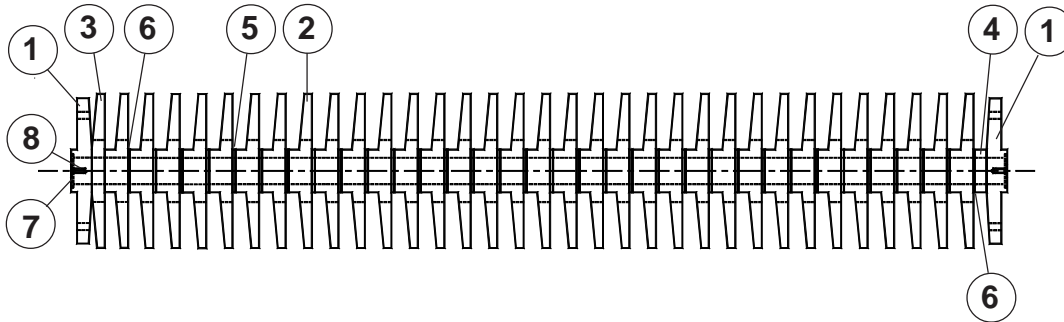
Wide Machines

2nd, 4th & 6th Shafts



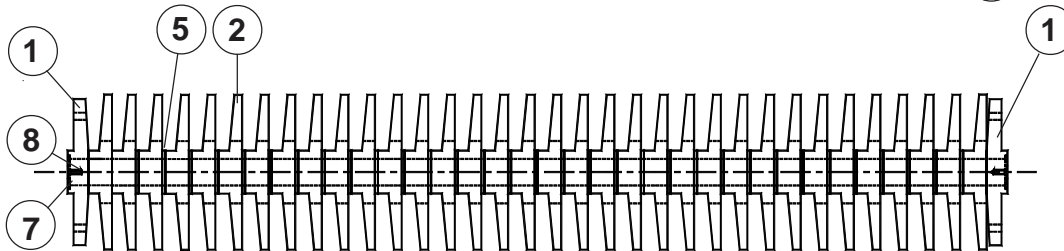
*Shafts are numbered from 1 (front) to 6 (rear)

Assembly Group 12.3 - Drop Out Star Shafts (45mm Spacings)



Narrow Machines
1st, 3rd & 5th Shafts

Item	Description	Part No.	Qty.
1	Bolt-on Flange LH	UN-10452	1
1	Bolt-on Flange RH	UN-10599	1
1	Welded Flange/Shaft LH	UN-12280	1
1	Welded Flange/Shaft RH	UN-12281	1
2	Full Star	UN-02995	33
3	Half Star	UN-02996	1
4	20mm Ring	UN-02997	1
5	5mm Ring	UN-02998	31
6	2.5mm Ring	UN-02999	2
7	Washer	UN-10474	2
8	Screw M8x25	UN-S1M8x25	2

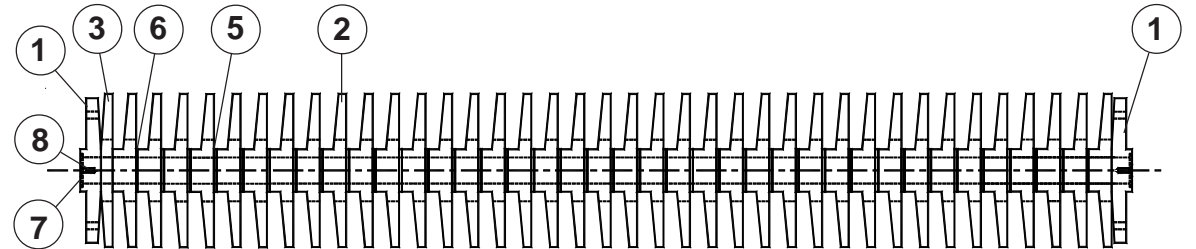


Narrow Machines
2nd, 4th & 6th Shafts

Item	Description	Part No.	Qty.
1	Bolt-on Flange LH	UN-10452	1
1	Bolt-on Flange RH	UN-10599	1
1	Welded Flange/Shaft LH	UN-12280	1
1	Welded Flange/Shaft RH	UN-12281	1
2	Full Star	UN-02995	34
3	Half Star	UN-02996	-
4	20mm Ring	UN-02997	-
5	5mm Ring	UN-02998	32
6	2.5mm Ring	UN-02999	-
7	Washer	UN-10474	2
8	Screw M8x25	UN-S1M8x25	2

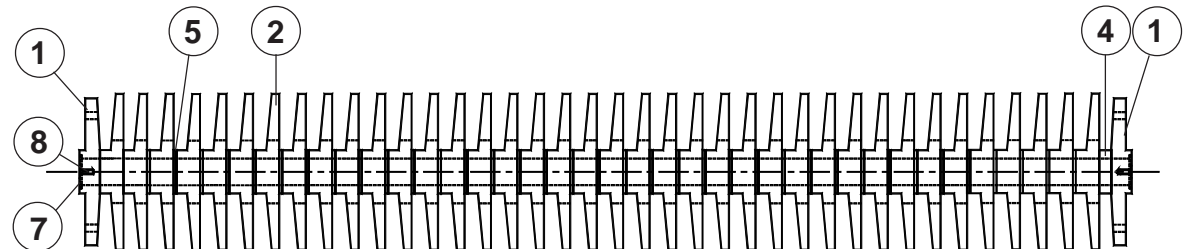
Item	Description	Part No.	Qty.
1	Bolt-on Flange LH	UN-10452	1
1	Bolt-on Flange RH	UN-10599	1
1	Welded Flange/Shaft LH	UN-12282	1
1	Welded Flange/Shaft RH	UN-12283	1
2	Full Star	UN-02995	38
3	Half Star	UN-02996	1
4	20mm Ring	UN-02997	-
5	5mm Ring	UN-02998	35
6	2.5mm Ring	UN-02999	2
7	Washer	UN-10474	2
8	Screw M8x25	UN-S1M8x25	2

Wide Machines
1st, 3rd & 5th Shafts



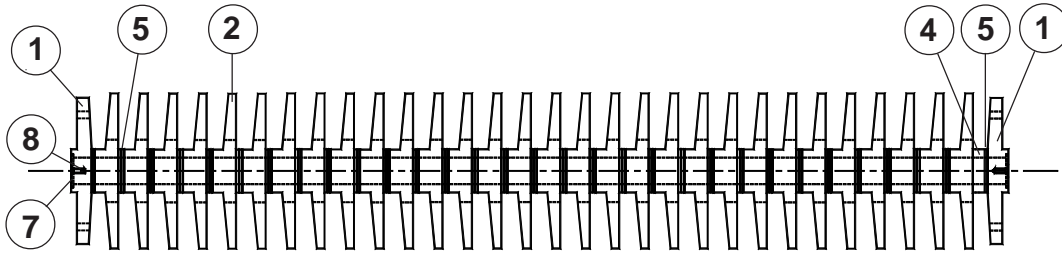
Item	Description	Part No.	Qty.
1	Bolt-on Flange LH	UN-10452	1
1	Bolt-on Flange RH	UN-10599	1
1	Welded Flange/Shaft LH	UN-12282	1
1	Welded Flange/Shaft RH	UN-12283	1
2	Full Star	UN-02995	38
3	Half Star	UN-02996	-
4	20mm Ring	UN-02997	1
5	5mm Ring	UN-02998	36
6	2.5mm Ring	UN-02999	-
7	Washer	UN-10474	2
8	Screw M8x25	UN-S1M8x25	2

Wide Machines
2nd, 4th & 6th Shafts



*Shafts are numbered from 1 (front) to 6 (rear)

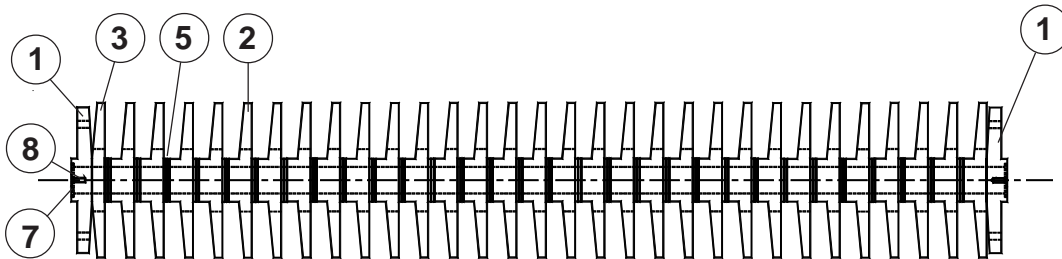
Assembly Group 12.4 - Drop Out Star Shafts (50mm Spacings)



Narrow Machines

1st, 3rd & 5th Shafts

Item	Description	Part No.	Qty.
1	Bolt-on Flange LH	UN-10452	1
1	Bolt-on Flange RH	UN-10599	1
1	Welded Flange/Shaft LH	UN-12280	1
1	Welded Flange/Shaft RH	UN-12281	1
2	Full Star	UN-02995	30
3	Half Star	UN-02996	-
4	20mm Ring	UN-02997	1
5	5mm Ring	UN-02998	60
6	2.5mm Ring	UN-02999	-
7	Washer	UN-10474	2
8	Screw M8x25	UN-S1M8x25	2



Narrow Machines

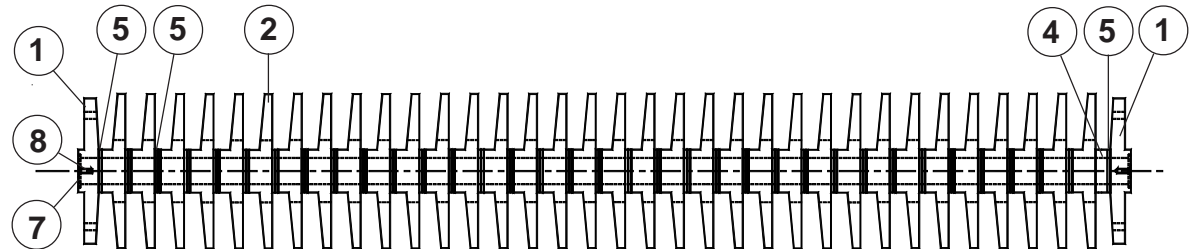
2nd, 4th & 6th Shafts

Item	Description	Part No.	Qty.
1	Bolt-on Flange LH	UN-10452	1
1	Bolt-on Flange RH	UN-10599	1
1	Welded Flange/Shaft LH	UN-12280	1
1	Welded Flange/Shaft RH	UN-12281	1
2	Full Star	UN-02995	30
3	Half Star	UN-02996	1
4	20mm Ring	UN-02997	-
5	5mm Ring	UN-02998	60
6	2.5mm Ring	UN-02999	-
7	Washer	UN-10474	2
8	Screw M8x25	UN-S1M8x25	2

Item	Description	Part No.	Qty.
1	Bolt-on Flange LH	UN-10452	1
1	Bolt-on Flange RH	UN-10599	1
1	Welded Flange/Shaft LH	UN-12282	1
1	Welded Flange/Shaft RH	UN-12283	1
2	Full Star	UN-02995	34
3	Half Star	UN-02996	-
4	20mm Ring	UN-02997	1
5	5mm Ring	UN-02998	68
6	2.5mm Ring	UN-02999	-
7	Washer	UN-10474	2
8	Screw M8x25	UN-S1M8x25	2

Wide Machines

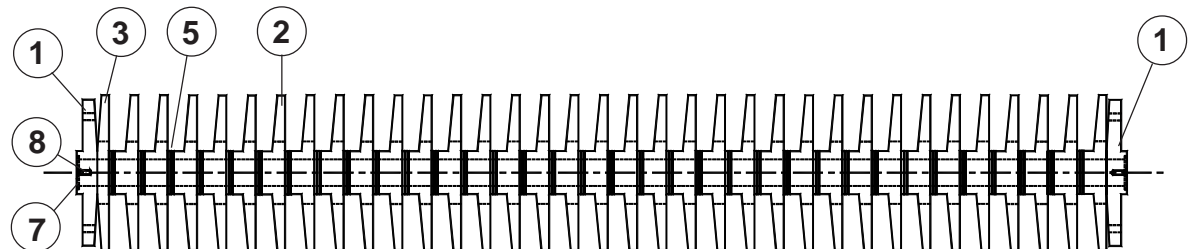
1st, 3rd & 5th Shafts



Item	Description	Part No.	Qty.
1	Bolt-on Flange LH	UN-10452	1
1	Bolt-on Flange RH	UN-10599	1
1	Welded Flange/Shaft LH	UN-12282	1
1	Welded Flange/Shaft RH	UN-12283	1
2	Full Star	UN-02995	34
3	Half Star	UN-02996	1
4	20mm Ring	UN-02997	-
5	5mm Ring	UN-02998	68
6	2.5mm Ring	UN-02999	-
7	Washer	UN-10474	2
8	Screw M8x25	UN-S1M8x25	2

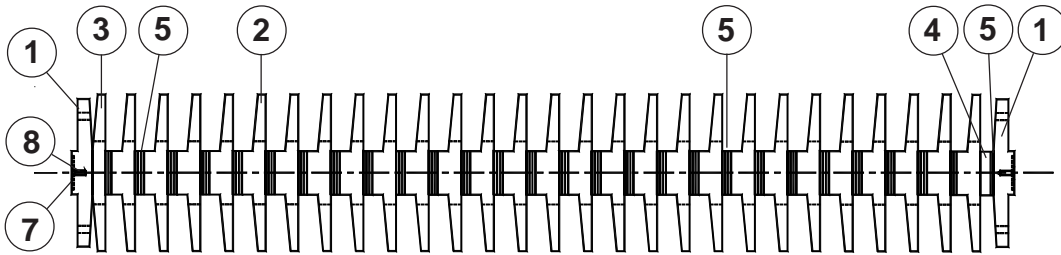
Wide Machines

2nd, 4th & 6th Shafts



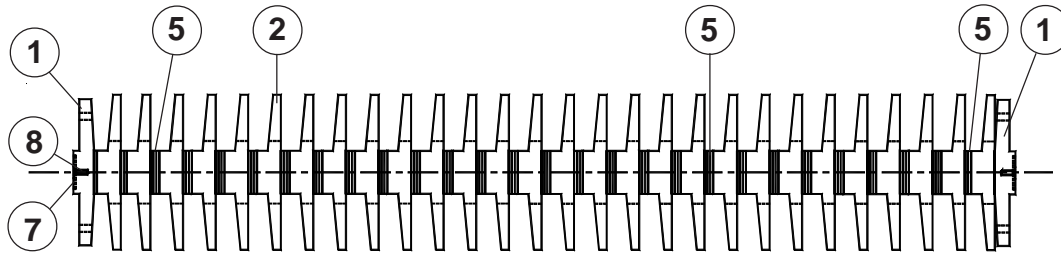
*Shafts are numbered from 1 (front) to 6 (rear)

Assembly Group 12.5 - Drop Out Star Shafts (55mm Spacings)



Narrow Machines
1st, 3rd & 5th Shafts

Item	Description	Part No.	Qty.
1	Bolt-on Flange LH	UN-10452	1
1	Bolt-on Flange RH	UN-10599	1
1	Welded Flange/Shaft LH	UN-12280	1
1	Welded Flange/Shaft RH	UN-12281	1
2	Full Star	UN-02995	27
3	Half Star	UN-02996	1
4	20mm Ring	UN-02997	1
5	5mm Ring	UN-02998	80
6	2.5mm Ring	UN-02999	-
7	Washer	UN-10474	2
8	Screw M8x25	UN-S1M8x25	2

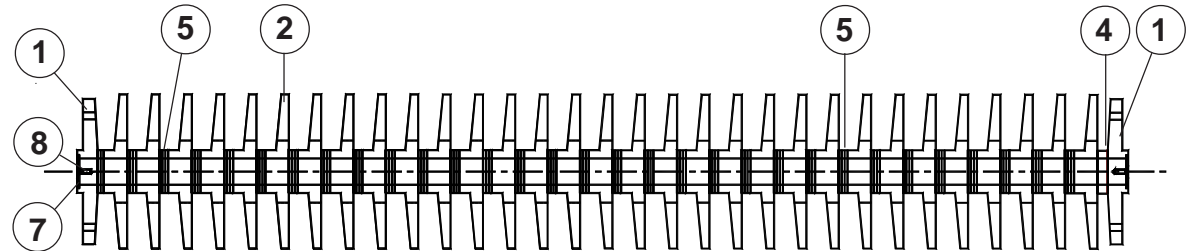


Narrow Machines
2nd, 4th & 6th Shafts

Item	Description	Part No.	Qty.
1	Bolt-on Flange LH	UN-10452	1
1	Bolt-on Flange RH	UN-10599	1
1	Welded Flange/Shaft LH	UN-12280	1
1	Welded Flange/Shaft RH	UN-12281	1
2	Full Star	UN-02995	28
3	Half Star	UN-02996	-
4	20mm Ring	UN-02997	-
5	5mm Ring	UN-02998	80
6	2.5mm Ring	UN-02999	-
7	Washer	UN-10474	2
8	Screw M8x25	UN-S1M8x25	2

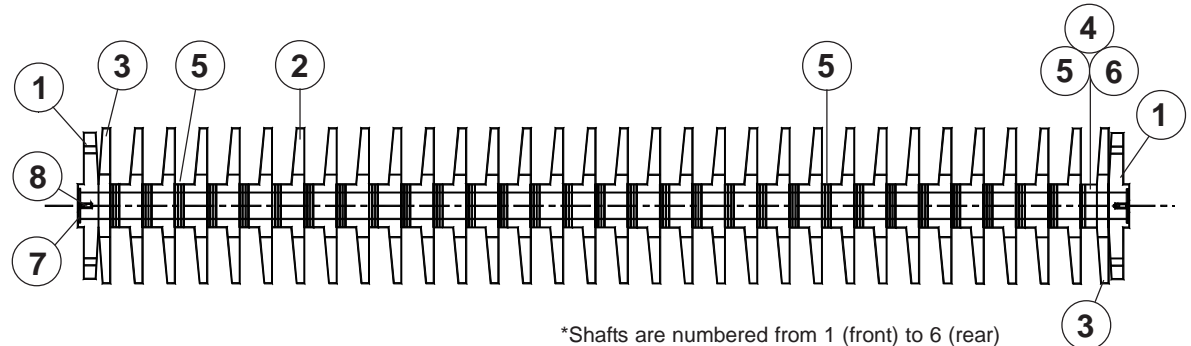
Item	Description	Part No.	Qty.
1	Bolt-on Flange LH	UN-10452	1
1	Bolt-on Flange RH	UN-10599	1
1	Welded Flange/Shaft LH	UN-12282	1
1	Welded Flange/Shaft RH	UN-12283	1
2	Full Star	UN-02995	31
3	Half Star	UN-02996	-
4	20mm Ring	UN-02997	1
5	5mm Ring	UN-02998	92
6	2.5mm Ring	UN-02999	-
7	Washer	UN-10474	2
8	Screw M8x25	UN-S1M8x25	2

Wide Machines
1st, 3rd & 5th Shafts



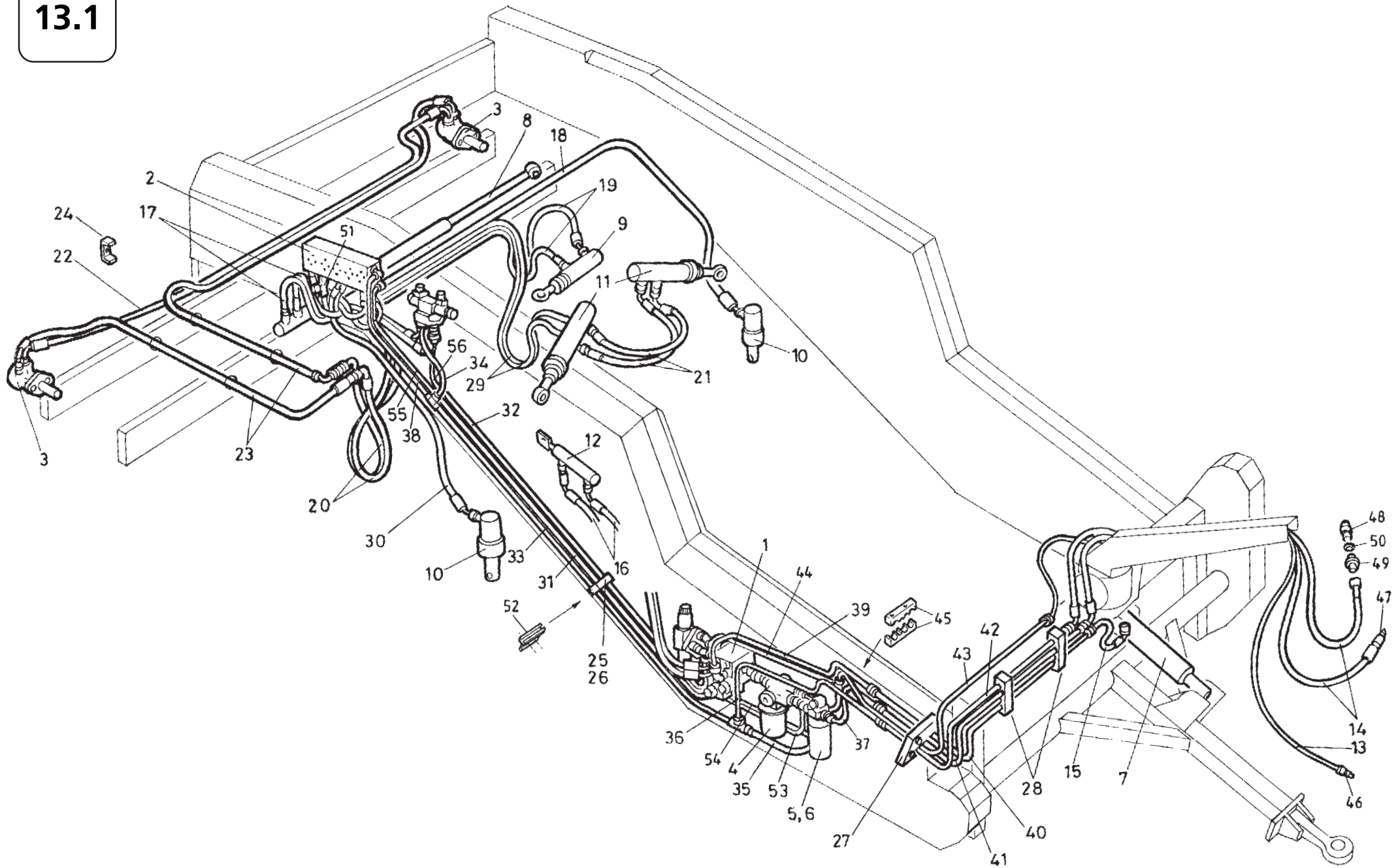
Item	Description	Part No.	Qty.
1	Bolt-on Flange LH	UN-10452	1
1	Bolt-on Flange RH	UN-10599	1
1	Welded Flange/Shaft LH	UN-12282	1
1	Welded Flange/Shaft RH	UN-12283	1
2	Full Star	UN-02995	30
3	Half Star	UN-02996	2
4	20mm Ring	UN-02997	1
5	5mm Ring	UN-02998	91
6	2.5mm Ring	UN-02999	1
7	Washer	UN-10474	2
8	Screw M8x25	UN-S1M8x25	2

Wide Machines
2nd, 4th & 6th Shafts



*Shafts are numbered from 1 (front) to 6 (rear)

13.1



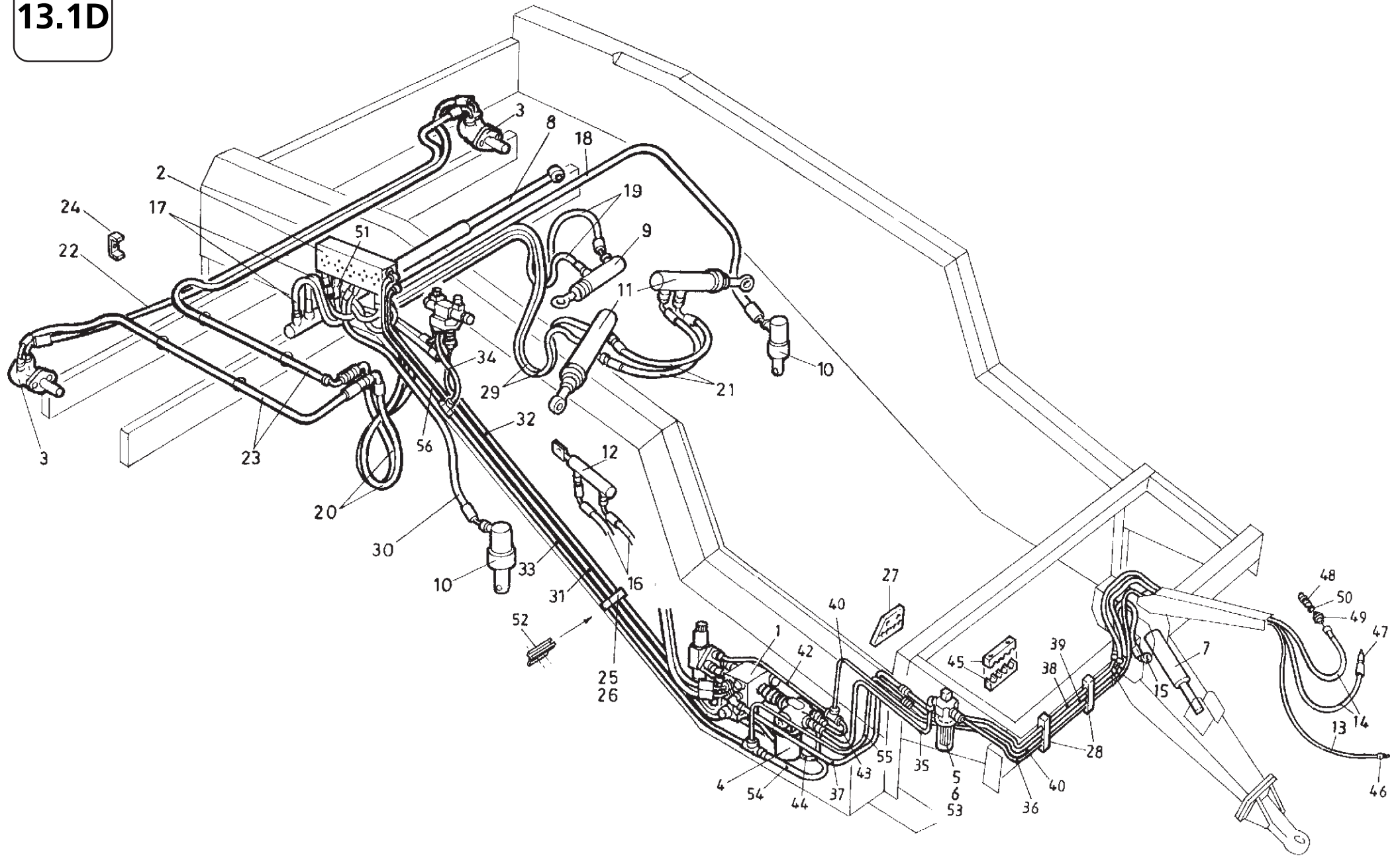
Assembly Group 13.1 - Hydraulic General Arrangement (Multiweb machines)

Item	Description	Part No.	Qty.
1	2 Station Manifold	UN-00095	1
2	5 Station Manifold	UN-00096	1
3	2 Hole Hydraulic Motor (Yr. 2004)	UN-00105	2
3	2 Hole Hydraulic Motor (2005 onwards)	UN-00886	2
4	Electric Webtec Valve	UN-00106	1
5	Filter Assembly	UN-00107	1
6	Filter (Spare Element only)	UN-00108	1
7	Front Lift Ram	UN-00109	1
7A	Front Lift Ram Seal Kit	UN-00110	
8	Cross Conveyor Ram	UN-00111	1
8A	Cross Conveyor Ram Seal Kit	UN-00112	
9	Steering Ram	UN-00113	1
9A	Steering Ram Seal Kit	UN-00130	
10	Rear Lift Ram (Yr. 2004)	UN-00115	2
10A	Rear Lift Ram Seal Kit (Yr. 2004)	UN-00116	
10	Rear Lift Ram (2005 onwards)	UN-00139	2
10A	Rear Lift Ram Seal Kit (2005 onwards)	UN-00140	
11	Levelling Ram (Up to 2005)	UN-00117	2
11A	Levelling Ram Seal Kit (Up to 2005)	UN-00114	
11	Levelling Ram (2006 onwards)	UN-11798	2
11A	Levelling Ram Seal Kit (2006 onwards)	UN-00114	
12	Pressure Pad Ram	UN-00121	1
12A	Pressure Pad Ram Seal Kit	UN-00122	
13	Load Sensing Hose	UN-00780	1
14	Feed and Return Hoses	UN-00781	2
15	Front Lift Hose (Narrow Machines)	UN-00782	1
15	Front Lift Hose (Wide Machines)	UN-00820	1
16	Pressure Pad Ram Hose	UN-00783	2
17	Cross Conveyor Ram Hose	UN-00784	2
18	Left Hand Rear Lift Hose (Narrow Machines)	UN-00786	1
18	Left Hand Rear Lift Hose (Wide Machines)	UN-00816	1
19	Steering Ram Hose (Narrow Machines)	UN-00787	2
19	Steering Ram Hose (Wide Machines)	UN-00817	2
20	Cross Conveyor Motor Hose (Narrow Machines)	UN-00789	2
20	Cross Conveyor Motor Hose (Wide Machines)	UN-00819	2
21	Levelling - Ram to Ram Hose (Up to 2005)	UN-00790	2
21	Levelling - Ram to Ram Hose (2006 Onwards)	UN-12190	2
22	Cross Conveyor - Motor to Motor Hose	UN-00799	1
23	Cross Conveyor - Motor to Bulkhead Hose	UN-00800	2
24	Cross Conveyor Hose Clamp	UN-10663	5
25	Single Pipe Clamp	UN-05091	3
26	Double Pipe Clamp	UN-05090	3

Item	Description	Part No.	Qty.
27	Front Pipe Clamp	UN-02984	1
28	5 Hole Pipe Clamp	UN-10297	2
29	Levelling Ram Hose (Narrow Machines - Up to 2005)	UN-00788	2
29	Levelling Ram Hose (Narrow Machines - 2006 onwards)	UN-00787	2
29	Levelling Ram Hose (Wide Machines)	UN-00818	2
30	Right Hand Rear Lift Hose	UN-00785	1
30	Right Hand Rear Lift Hose	UN-00785	1
31	Steel Pipe: Feed to Rear Manifold (Up to 2006)	UN-00801	1
31	Steel Pipe: Feed to Rear Manifold (2007 onwards)	UN-12310	1
32	Steel Pipe: Regulated Feed from Priority Valve to Directional Valve (Up to 2006)	UN-00802	1
32	Steel Pipe: Regulated Feed from Priority Valve to Directional Valve (2007 onwards)	UN-12310	1
33	Steel Pipe: Return from Rear Manifold (Long Section)	UN-00803	1
34	Hose: Return from Cross Conveyor Directional Valve (Up to 2006)	UN-01069	1
34	Hose: Return from Cross Conveyor Directional Valve (2007 onwards)	UN-12319	1
35	Steel Pipe: Return from Front Manifold (Up to 2006)	UN-00805	1
35	Hose: Return from Front Manifold (2007 onwards)	UN-12323	1
36	Steel Pipe: Return to Tractor from Tee	UN-00806	1
37	Steel Pipe: Feed from Tractor (Filter End)	UN-00807	1
38	Steel Pipe: Return from Rear Manifold to Tee (Up to 2006)	UN-00808	1
38	Hose: Return from Rear Manifold to Tee (2007 onwards)	UN-12315	1
39	Steel Pipe: Feed to Front Lift (Manifold End)	UN-00809	1
40	Steel Pipe: Feed to Front Lift (Ram End)	UN-00810	1
41	Steel Pipe: Feed from Tractor (Hose End)	UN-00811	1
42	Steel Pipe: Return to Tractor (Hose End)	UN-00812	1
43	Steel Pipe: Load Sensing (Tractor Hose End to Shuttle Valve)	UN-00813	1
44	Steel Pipe: Load Sensing (Shuttle Valve to Dump Valve)	UN-00814	1
45	Pipe Clamp	UN-02982	1
46	3/8" BSP Quick Release Coupling	UN-05076	1
47	1/2" BSP Quick Release Coupling	UN-05075	1
48	3/4" BSP Quick Release Coupling (2005 onwards)	UN-05074	1
49	3/8" x 1/4" BSP MM Adapter	UN-05003	1
49	1/2" x 1/2" BSP MM Adapter	UN-05002	1
49	3/4" x 1/2" BSP MM Adapter	UN-05046	1
50	3/8" BSP Dowty Washer	UN-05101	1
50	1/2" BSP Dowty Washer	UN-05102	1
50	3/4" BSP Dowty Washer	UN-05103	1
51	Variable Restrictor (2005 onwards)	UN-05198	1
52	Pipe Clamp Mount	UN-10437	2
53	Hose: Feed to Rear Manifold (2007 onwards)	UN-12317	1
54	Hose: Regulated Feed from Priority Valve to Directional Valve (2007 onwards)	UN-12318	1
55	Hose: Feed to Rear Manifold (2007 onwards)	UN-12320	1
56	Hose: Regulated Feed from Priority Valve to Directional Valve (2007 onwards)	UN-12316	1

A/R = As Required NI = Not Illustrated N/A = Not Applicable

13.1D



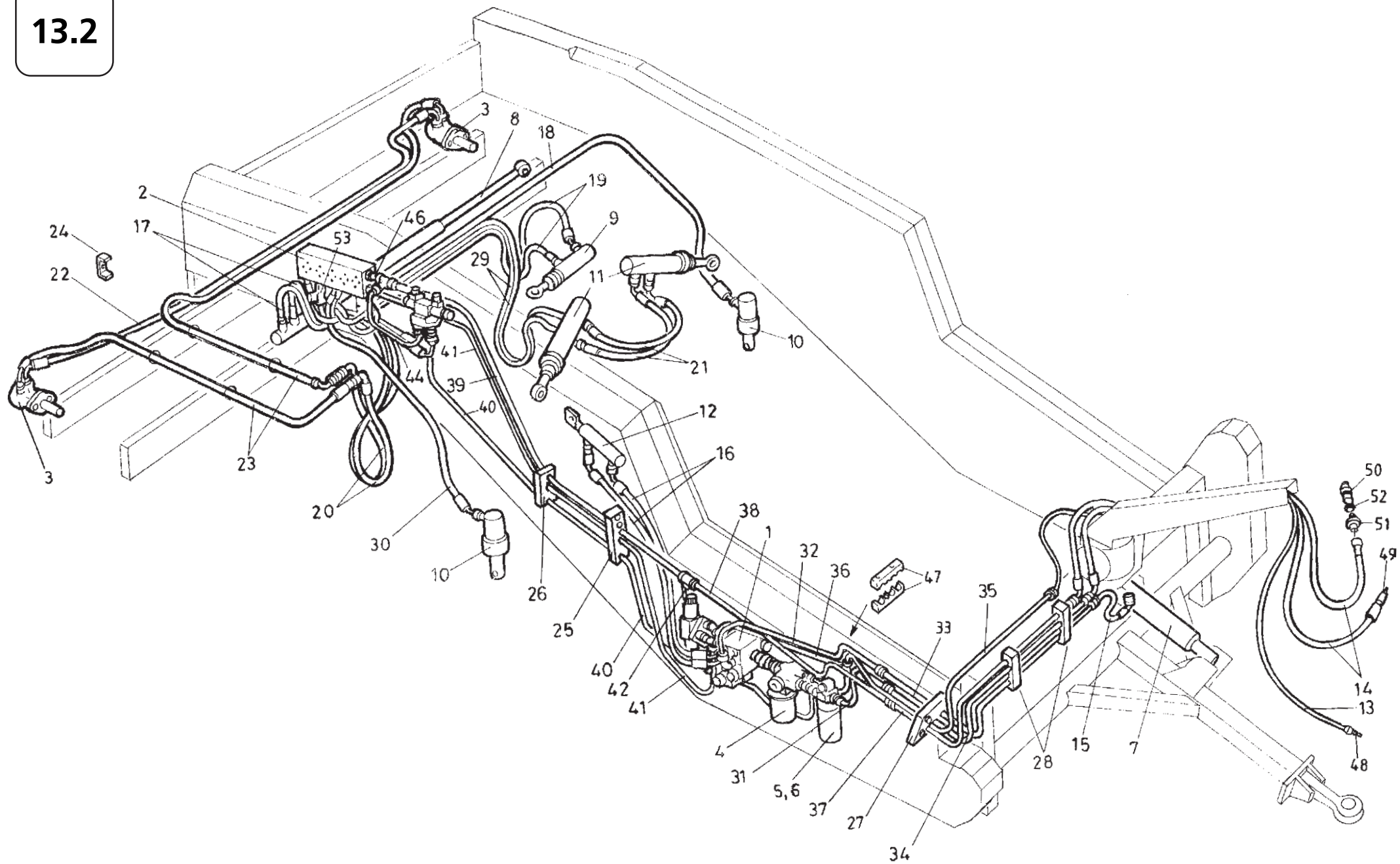
Assembly Group 13.1D - Hydraulic General Arrangement (Multiweb machines with Diablo - up to 2008)

Item	Description	Part No.	Qty.
1	2 Station Manifold	UN-00095	1
2	5 Station Manifold	UN-00096	1
3	2 Hole Hydraulic Motor	UN-00886	2
4	Electric Webtec Valve	UN-00106	1
5	Filter Assembly (complete)	UN-00107	1
6	Filter (Spare Element only)	UN-00108	1
7	Front Lift Ram	UN-00109	1
7A	Front Lift Ram Seal Kit	UN-00110	
8	Cross Conveyor Ram	UN-00111	1
8A	Cross Conveyor Ram Seal Kit	UN-00112	
9	Steering Ram	UN-00113	1
9A	Steering Ram Seal Kit	UN-00130	
10	Rear Lift Ram	UN-00139	2
10A	Rear Lift Ram Seal Kit	UN-00140	
11	Levelling Ram	UN-11798	2
11A	Levelling Ram Seal Kit	UN-00114	
12	Pressure Pad Ram	UN-00121	1
12A	Pressure Pad Ram Seal Kit	UN-00122	
13	Load Sensing Hose	UN-00780	1
14	Feed and Return Hoses	UN-00781	2
15	Front Lift Hose	UN-00782	1
15	Front Lift Hose - Hydraulic Drawbar - Narrow Machines	UN-01598	1
15	Front Lift Hose - Hydraulic Drawbar - Wide Machines		1
16	Pressure Pad Ram Hose	UN-00791	2
17	Cross Conveyor Ram Hose	UN-00784	2
18	Left Hand Rear Lift Hose	UN-00786	1
19	Steering Ram Hose	UN-00787	2
20	Cross Conveyor Motor Hose	UN-00789	2
21	Levelling - Ram to Ram Hose	UN-00790	2
22	Cross Conveyor - Motor to Motor Hose	UN-00799	1
23	Cross Conveyor - Motor to Bulkhead Hose	UN-00800	2
24	Cross Conveyor Hose Clamp	UN-10663	5
25	Single Pipe Clamp	UN-05091	3
26	Double Pipe Clamp	UN-05090	3

Item	Description	Part No.	Qty.
27	Front Pipe Clamp	UN-02984	1
28	5 Hole Pipe Clamp	UN-10297	2
29	Levelling Ram Hose	UN-00788	2
30	Right Hand Rear Lift Hose	UN-00785	1
31	Steel Pipe: Feed to Rear Manifold	UN-00801	1
32	Steel Pipe: Regulated Feed from Priority Valve to Directional Valve	UN-00802	1
33	Steel Pipe: Return from Rear Manifold (Long Section)	UN-00803	1
34	Hose: Return from Cross Conveyor Directional Valve	UN-01069	1
35	Steel Pipe: Feed from Tractor (Filter to Webtec Valve)	UN-01583	1
36	Steel Pipe: Feed from Tractor (to Filter)	UN-01580	1
37	Steel Pipe: Feed to Front Lift (Manifold End)	UN-01585	1
38	Steel Pipe: Feed to Front Lift (Ram End)	UN-01581	1
39	Steel Pipe: Return to Tractor (Hose End)	UN-01582	1
40	Steel Pipe: Load Sensing Feed	UN-01579	1
42	Steel Pipe: Load Sensing (Shuttle Valve to Dump Valve)	UN-00814	1
43	Steel Pipe: Load Sensing (Shuttle Valve to Cross Conveyor Feed)	UN-00815	1
44	Steel Pipe: Regulated Feed from Priority Valve to Directional Valve	UN-00802	1
45	Pipe Clamp	UN-02982	1
46	3/8" BSP Quick Release Coupling	UN-05076	1
47	1/2" BSP Quick Release Coupling	UN-05075	1
48	3/4" BSP Quick Release Coupling	UN-05074	1
49	3/8" x 1/4" BSP MM Adapter	UN-05003	1
49	1/2" x 1/2" BSP MM Adapter	UN-05002	1
49	3/4" x 1/2" BSP MM Adapter	UN-05046	1
50	3/8" BSP Dowty Washer	UN-05101	1
50	1/2" BSP Dowty Washer	UN-05102	1
50	3/4" BSP Dowty Washer	UN-05103	1
51	Variable Restrictor (2005 onwards)	UN-05198	1
52	Pipe Clamp Mount	UN-10437	2
53	'O' Ring (spare)	UN-00697	
54	Steel Pipe: Return from Front Manifold	UN-00805	1
55	Steel Pipe: Return to Tractor from Tee	UN-01587	1
56	Steel Pipe: Return from Rear Manifold to Tee	UN-00808	1

A/R = As Required NI = Not Illustrated N/A = Not Applicable

13.2



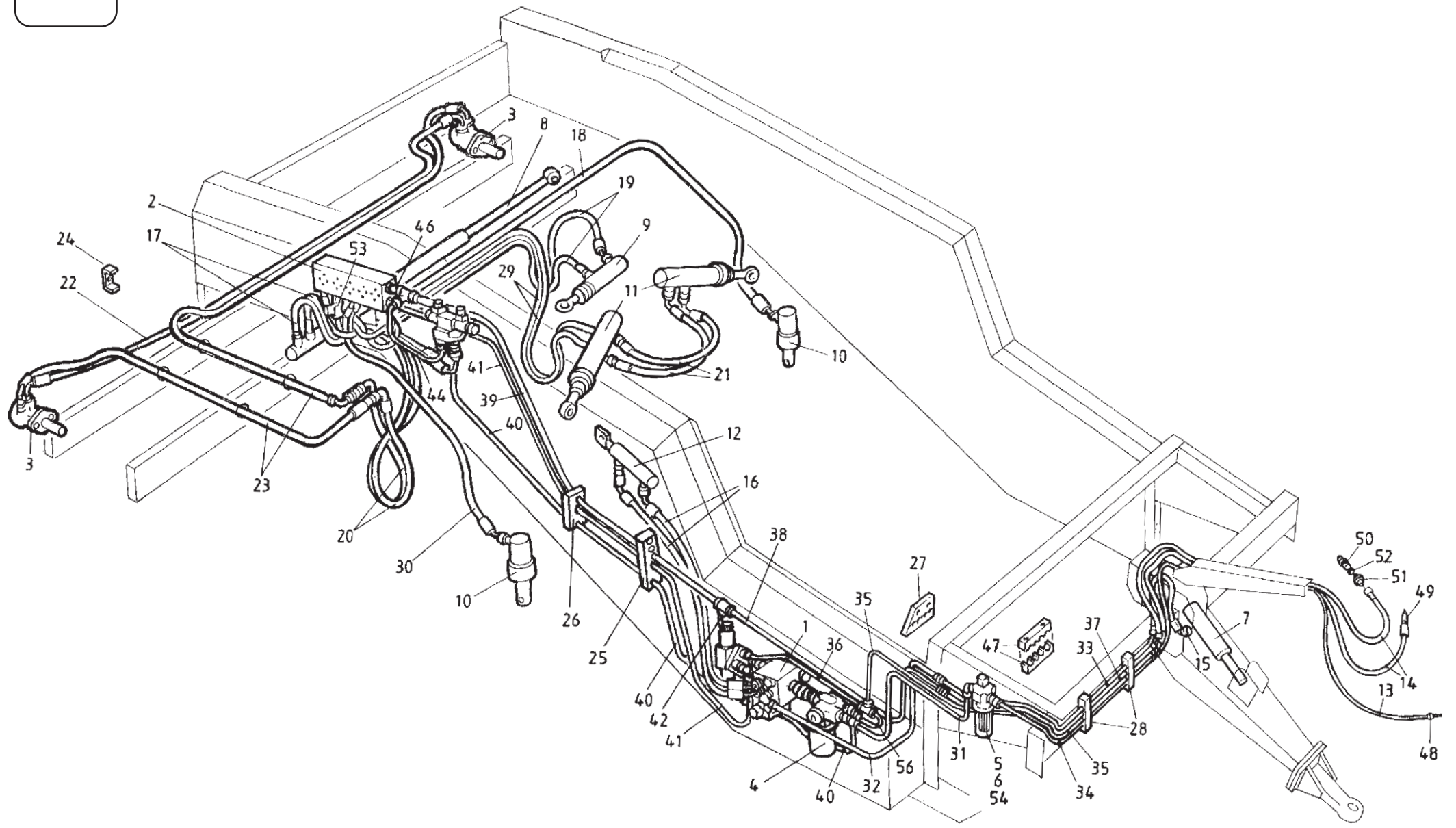
Assembly Group 13.2 - Hydraulic General Arrangement (Star machines)

Item	Description	Part No.	Qty.
1	2 Station Manifold	UN-00095	1
2	5 Station Manifold	UN-00096	1
3	2 Hole Hydraulic Motor (Yr. 2004)	UN-00105	2
3	2 Hole Hydraulic Motor (2005 onwards)	UN-00886	2
4	Electric Webtec Vavle	UN-00106	1
5	Filter Assembly	UN-00107	1
6	Filter (Spare Element only)	UN-00108	1
7	Front Lift Ram	UN-00109	1
7A	Front Lift Ram Seal Kit	UN-00110	
8	Cross Conveyor Ram	UN-00111	1
8A	Cross Conveyor Ram Seal Kit	UN-00112	
9	Steering Ram	UN-00113	1
9A	Steering Ram Seal Kit	UN-00130	
10	Rear Lift Ram (Yr. 2004)	UN-00115	2
10A	Rear Lift Ram Seal Kit (Yr. 2004)	UN-00116	
10	Rear Lift Ram (2005 onwards)	UN-00139	2
10A	Rear Lift Ram Seal Kit (2005 onwards)	UN-00140	
11	Levelling Ram (Up to 2005)	UN-00117	2
11A	Levelling Ram Seal Kit (Up to 2005)	UN-00114	
11	Levelling Ram (2006 onwards)	UN-11798	2
11A	Levelling Ram Seal Kit (2006 onwards)	UN-00114	
12	Pressure Pad Ram	UN-00121	1
12A	Pressure Pad Ram Seal Kit	UN-00122	
13	Load Sensing Hose	UN-00780	1
14	Feed and Return Hoses	UN-00781	2
15	Front Lift Hose (Narrow Machines)	UN-00782	1
15	Front Lift Hose (Wide Machines)	UN-00820	1
16	Pressure Pad Ram Hose	UN-00791	2
17	Cross Conveyor Ram Hose	UN-00784	2
18	Left Hand Rear Lift Hose (Narrow Machines)	UN-00786	1
18	Left Hand Rear Lift Hose (Wide Machines)	UN-00816	1
19	Steering Ram Hose (Narrow Machines)	UN-00787	2
19	Steering Ram Hose (Wide Machines)	UN-00817	2
20	Cross Conveyor Motor Hose (Narrow Machines)	UN-00789	2
20	Cross Conveyor Motor Hose (Wide Machines)	UN-00819	2
21	Levelling - Ram to Ram Hose	UN-00790	2

Item	Description	Part No.	Qty.
22	Cross Conveyor - Motor to Motor Hose	UN-00799	1
23	Cross Conveyor - Motor to Bulkhead Hose	UN-00800	2
24	Cross Conveyor Hose Clamp	UN-10663	5
25	5 Hole Pipe Clamp	UN-10798	1
26	3 Hole Pipe Clamp	UN-10797	1
27	Front Pipe Clamp	UN-02984	1
28	5 Hole Pipe Clamp	UN-10297	2
29	Levelling Ram Hose (Narrow Machines)	UN-00788	2
29	Levelling Ram Hose (Wide Machines)	UN-00818	2
30	Right Hand Rear Lift Hose	UN-00785	1
31	Steel Pipe: Feed from Tractor (Filter End)	UN-00807	1
32	Steel Pipe: Feed to Front Lift (Manifold End)	UN-00809	1
33	Steel Pipe: Feed to Front Lift (Ram End)	UN-00810	1
34	Steel Pipe: Feed from Tractor (Hose End)	UN-00811	1
35	Steel Pipe: Load Sensing (Tractor Hose End to Shuttle Valve)	UN-00813	1
36	Steel Pipe: Load Sensing (Shuttle Valve to Dump Valve)	UN-00814	1
37	Steel Pipe: Return to Tractor (Hose End)	UN-00862	1
38	Steel Pipe: Return to Tractor (from Tee)	UN-00863	1
39	Steel Pipe: Return to Rear Manifold Tee	UN-00864	1
40	Steel Pipe: Cross Conveyor Feed (Priority Valve End)	UN-00865	1
41	Steel Pipe: Rear Manifold Feed (Front Manifold End)	UN-00866	1
42	Steel Pipe: Return from Front Manifold to Tee	UN-00825	1
44	Steel Pipe: Return from Directional Valve	UN-00827	1
46	Steel Pipe: Return (Rear Manifold to Tee)	UN-00829	1
47	Pipe Clamp	UN-02982	1
48	3/8" BSP Quick Release Coupling	UN-05076	1
49	1/2" BSP Quick Release Coupling	UN-05075	1
50	3/4" BSP Quick Release Coupling (2005 onwards)	UN-05074	1
51	3/8" x 1/4" BSP MM Adapter	UN-05003	1
51	1/2" x 1/2" BSP MM Adapter	UN-05002	1
51	3/4" x 1/2" BSP MM Adapter	UN-05046	1
52	3/8" BSP Dowty Washer	UN-05101	1
52	1/2" BSP Dowty Washer	UN-05102	1
52	3/4" BSP Dowty Washer	UN-05103	1
53	Variable Restrictor (2005 onwards)	UN-05198	1

A/R = As Required NI = Not Illustrated N/A = Not Applicable

13.2D

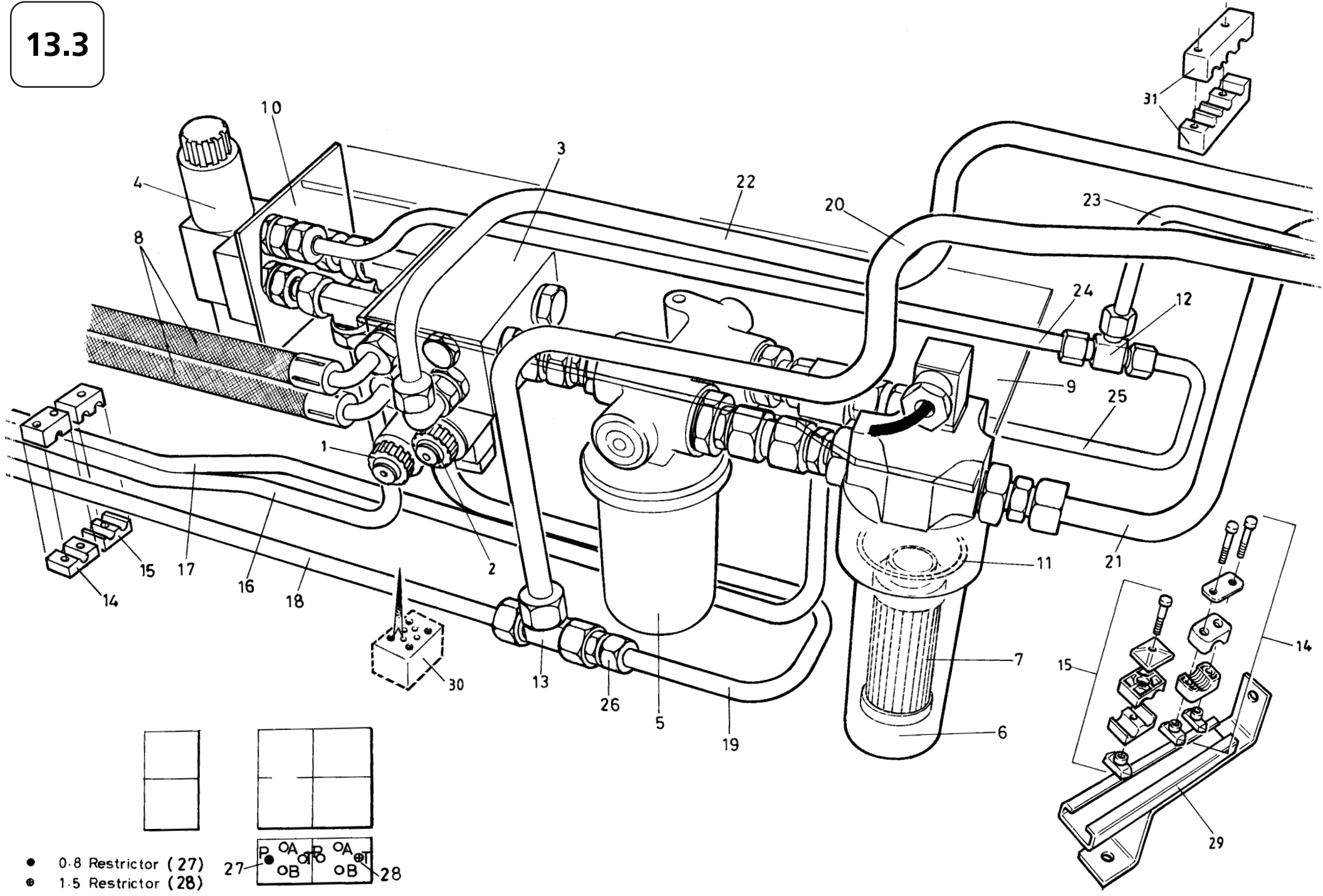


Assembly Group 13.2D - Hydraulic General Arrangement (Star machines with Diablo - up to 2008)

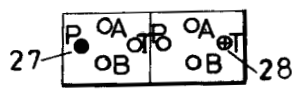
Item	Description	Part No.	Qty.
1	2 Station Manifold	UN-00095	1
2	5 Station Manifold	UN-00096	1
3	2 Hole Hydraulic Motor	UN-00886	2
4	Electric Webtec Vavle	UN-00106	1
5	Filter Assembly (complete)	UN-00107	1
6	Filter (Spare Element only)	UN-00108	1
7	Front Lift Ram	UN-00109	1
7A	Front Lift Ram Seal Kit	UN-00110	
8	Cross Conveyor Ram	UN-00111	1
8A	Cross Conveyor Ram Seal Kit	UN-00112	
9	Steering Ram	UN-00113	1
9A	Steering Ram Seal Kit	UN-00130	
10	Rear Lift Ram	UN-00139	2
10A	Rear Lift Ram Seal Kit	UN-00140	
11	Levelling Ram	UN-11798	2
11A	Levelling Ram Seal Kit	UN-00114	
12	Pressure Pad Ram	UN-00121	1
12A	Pressure Pad Ram Seal Kit	UN-00122	
13	Load Sensing Hose	UN-00780	1
14	Feed and Return Hoses	UN-00781	2
15	Front Lift Hose	UN-00782	1
15	Front Lift Hose - Hydraulic Drawbar - Narrow Machines	UN-01598	1
15	Front Lift Hose - Hydraulic Drawbar - Wide Machines		1
16	Pressure Pad Ram Hose	UN-00783	2
17	Cross Conveyor Ram Hose	UN-00784	2
18	Left Hand Rear Lift Hose	UN-00786	1
19	Steering Ram Hose	UN-00787	2
20	Cross Conveyor Motor Hose	UN-00789	2
21	Levelling - Ram to Ram Hose	UN-00790	2
22	Cross Conveyor - Motor to Motor Hose	UN-00799	1
23	Cross Conveyor - Motor to Bulkhead Hose	UN-00800	2
24	Cross Conveyor Hose Clamp	UN-10663	5
25	5 Hole Pipe Clamp	UN-10798	1
26	3 Hole Pipe Clamp	UN-10797	1

Item	Description	Part No.	Qty.
27	Front Pipe Clamp	UN-02984	1
28	5 Hole Pipe Clamp	UN-10297	2
29	Levelling Ram Hose	UN-00788	2
30	Right Hand Rear Lift Hose	UN-00785	1
31	Steel Pipe: Feed from Tractor (Filter to Webtec Valve)	UN-01583	1
32	Steel Pipe: Feed to Front Lift (Manifold End)	UN-01585	1
33	Steel Pipe: Feed to Front Lift (Ram End)	UN-01581	1
34	Steel Pipe: Feed from Tractor to Filter	UN-01580	1
35	Steel Pipe: Load Sensing Feed	UN-01579	1
36	Steel Pipe: Load Sensing (Shuttle Valve to Dump Valve)	UN-00814	1
37	Steel Pipe: Return to Tractor (Hose End)	UN-01582	1
38	Steel Pipe: Return to Tractor (from Tee)	UN-01584	1
39	Steel Pipe: Return to Rear Manifold Tee	UN-00864	1
40	Steel Pipe: Cross Conveyor Feed (Priority Valve End)	UN-00865	1
41	Steel Pipe: Rear Manifold Feed (Front Manifold End)	UN-00866	1
42	Steel Pipe: Return from Front Manifold to Tee	UN-00825	1
44	Steel Pipe: Return from Directional Valve	UN-00827	1
46	Steel Pipe: Return (Rear Manifold to Tee)	UN-00829	1
47	Pipe Clamp	UN-02982	1
48	3/8" BSP Quick Release Coupling	UN-05076	1
49	1/2" BSP Quick Release Coupling	UN-05075	1
50	3/4" BSP Quick Release Coupling	UN-05074	1
51	3/8" x 1/4" BSP MM Adapter	UN-05003	1
51	1/2" x 1/2" BSP MM Adapter	UN-05002	1
51	3/4" x 1/2" BSP MM Adapter	UN-05046	1
52	3/8" BSP Dowty Washer	UN-05101	1
52	1/2" BSP Dowty Washer	UN-05102	1
52	3/4" BSP Dowty Washer	UN-05103	1
53	Variable Restrictor	UN-05198	1
54	'O' Ring (spare)	UN-00697	1
56	Steel Pipe: Load Sensing (Shuttle Valve to Cross Conveyor Feed)	UN-00815	1

13.3



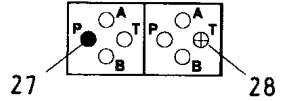
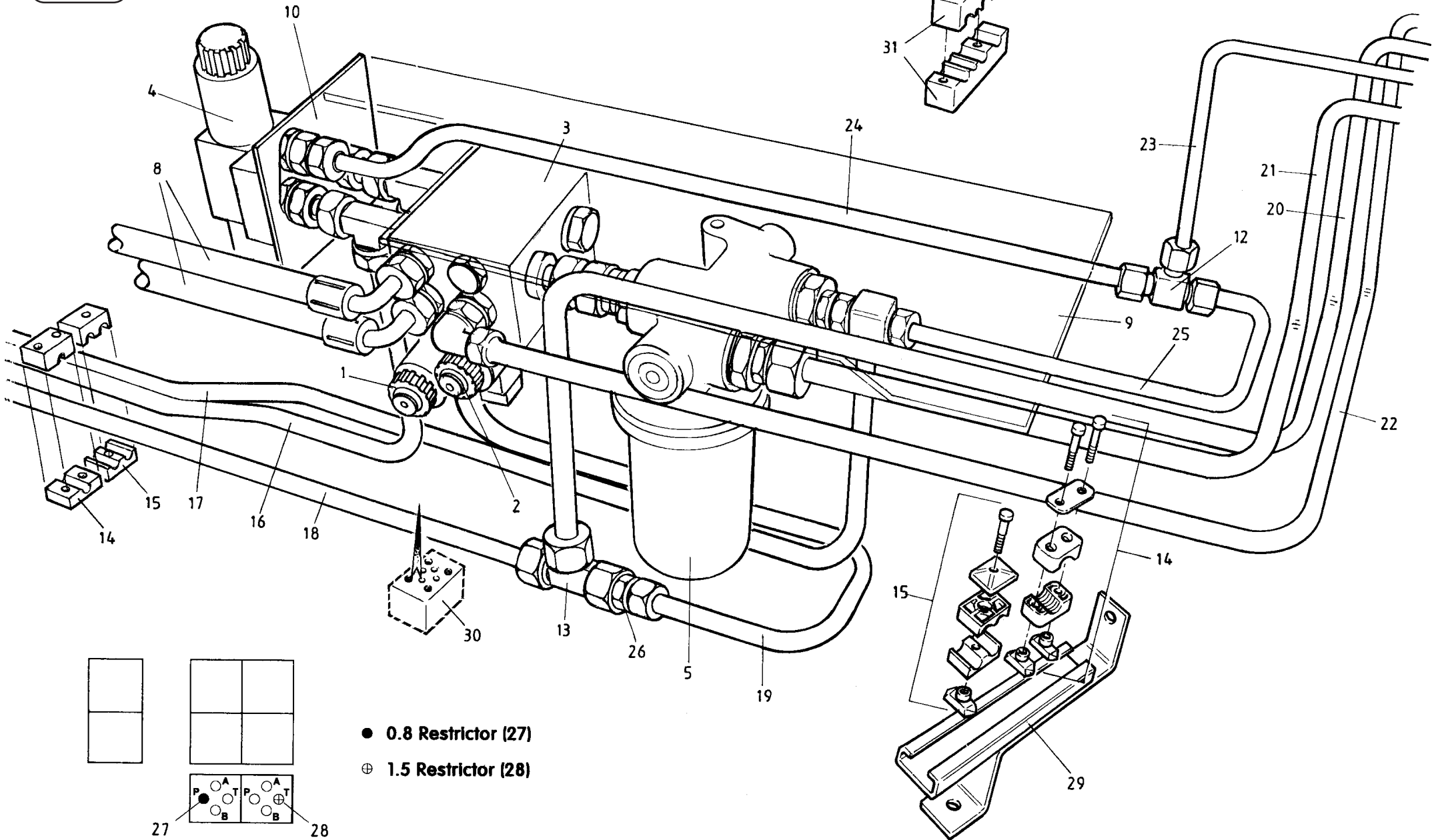
- 0.8 Restrictor (27)
- 1.5 Restrictor (28)



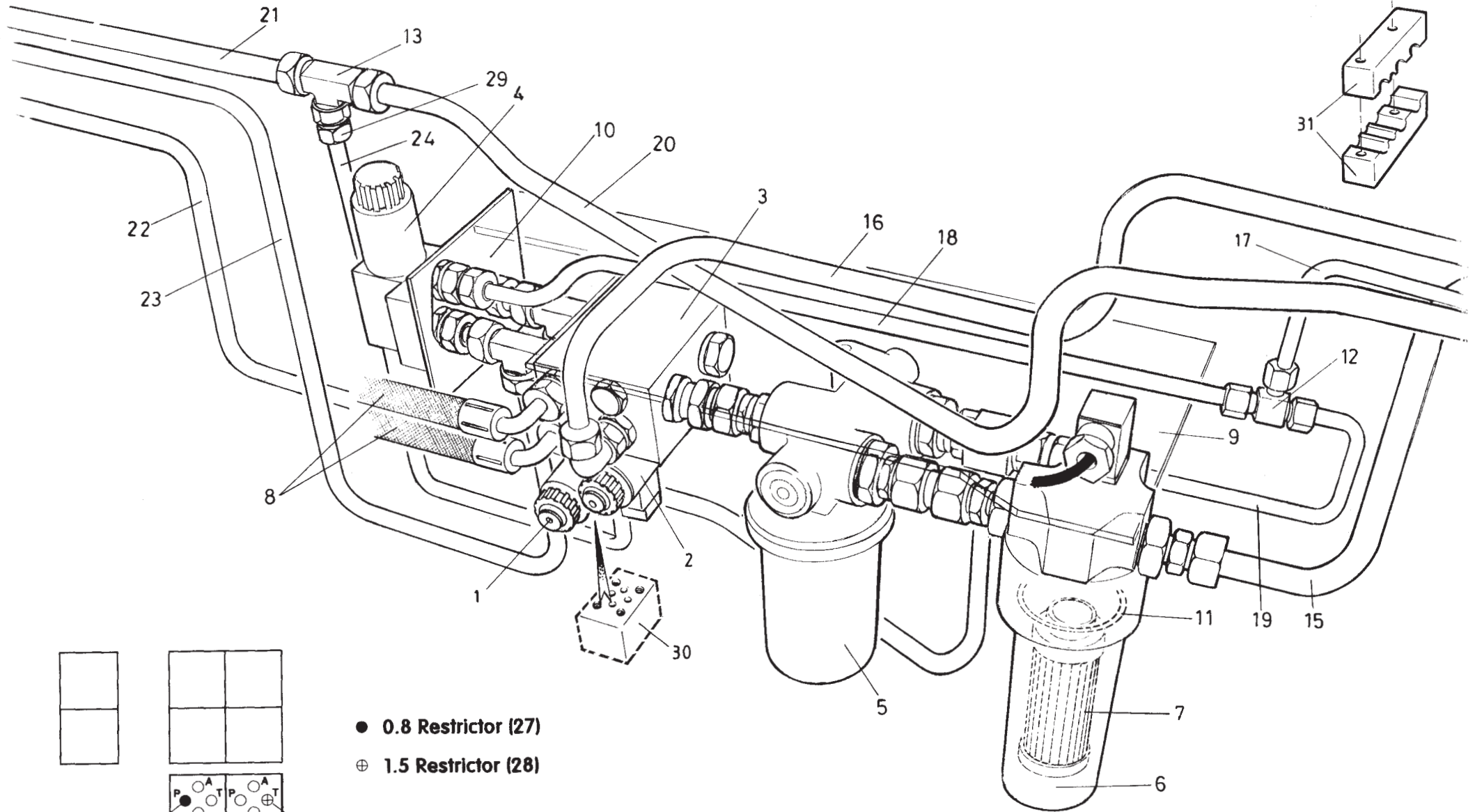
27

28

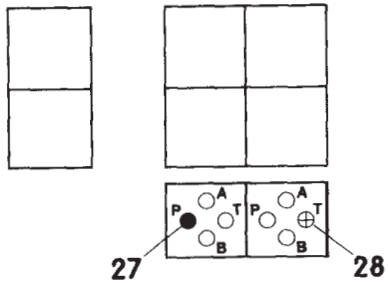
13.3D



13.4



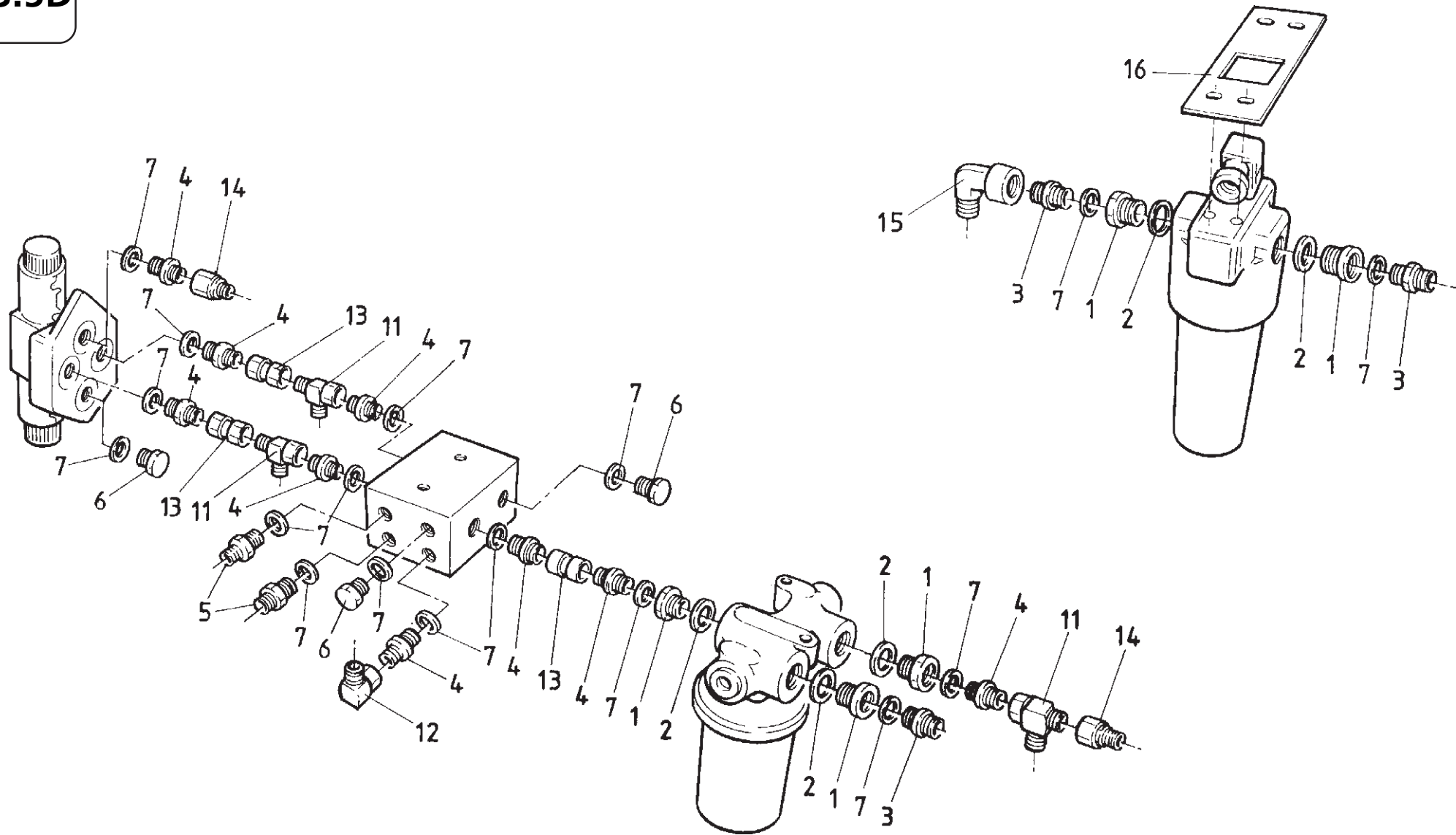
- 0.8 Restrictor (27)
- ⊕ 1.5 Restrictor (28)



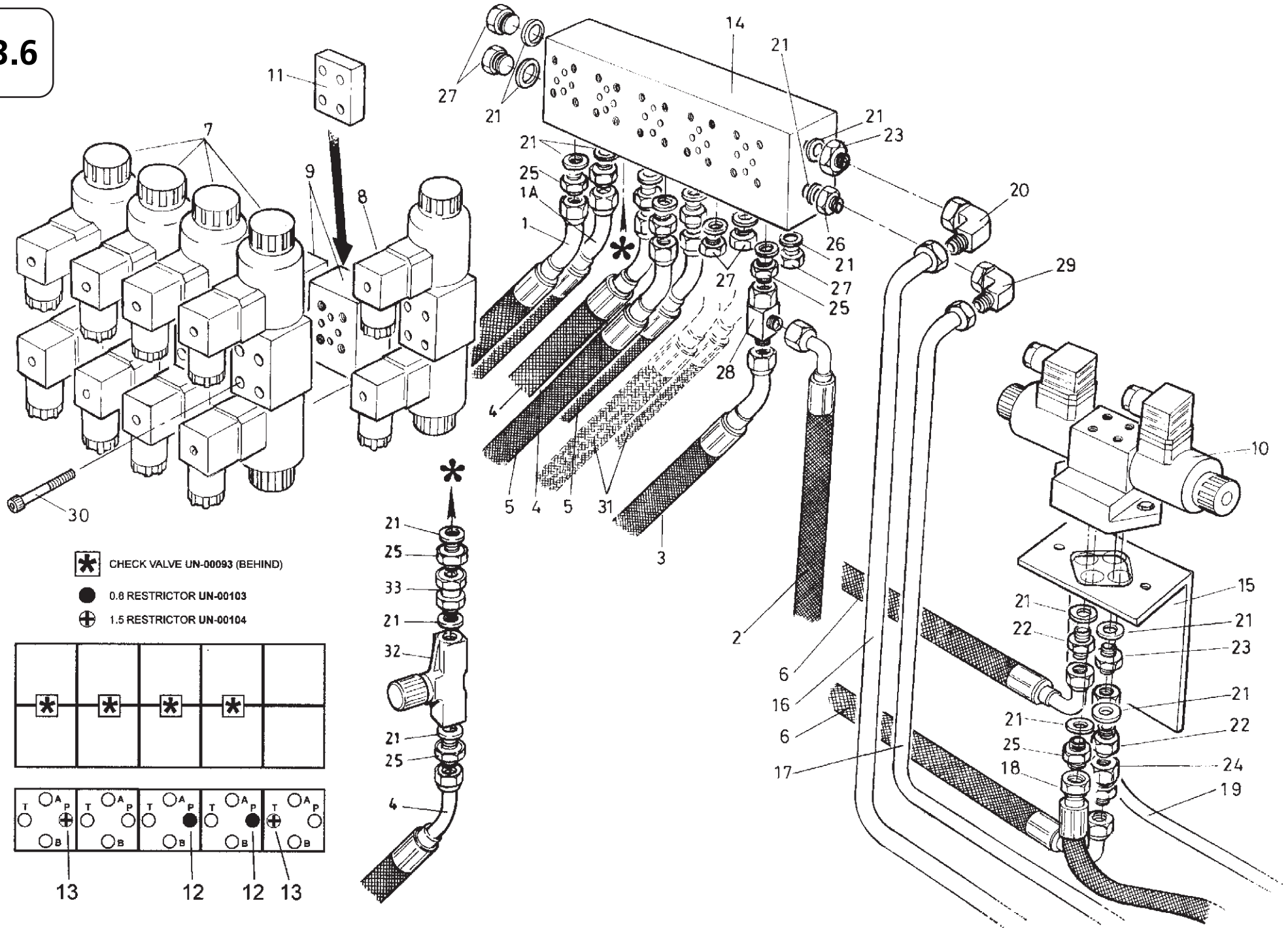
27

28

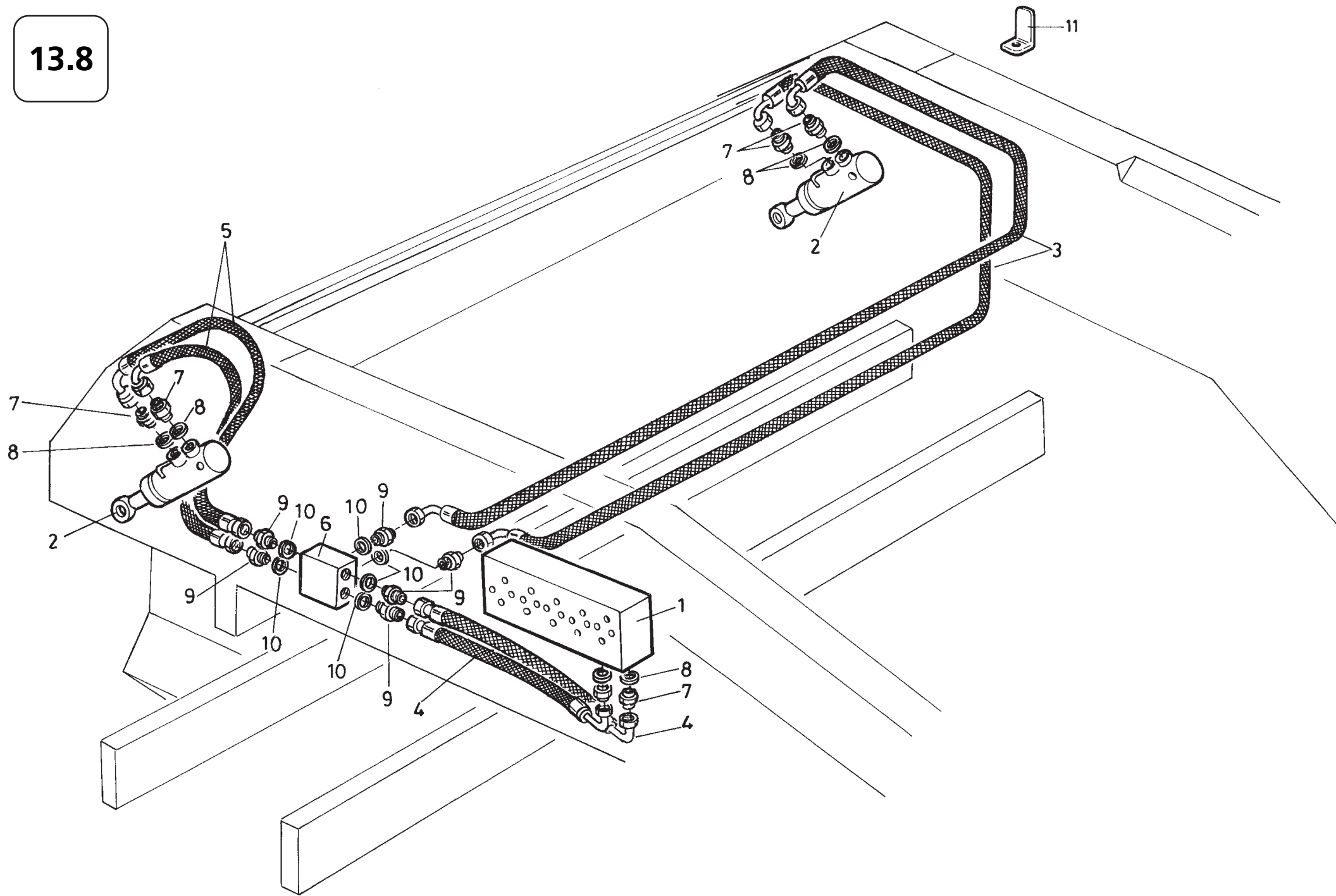
13.5D



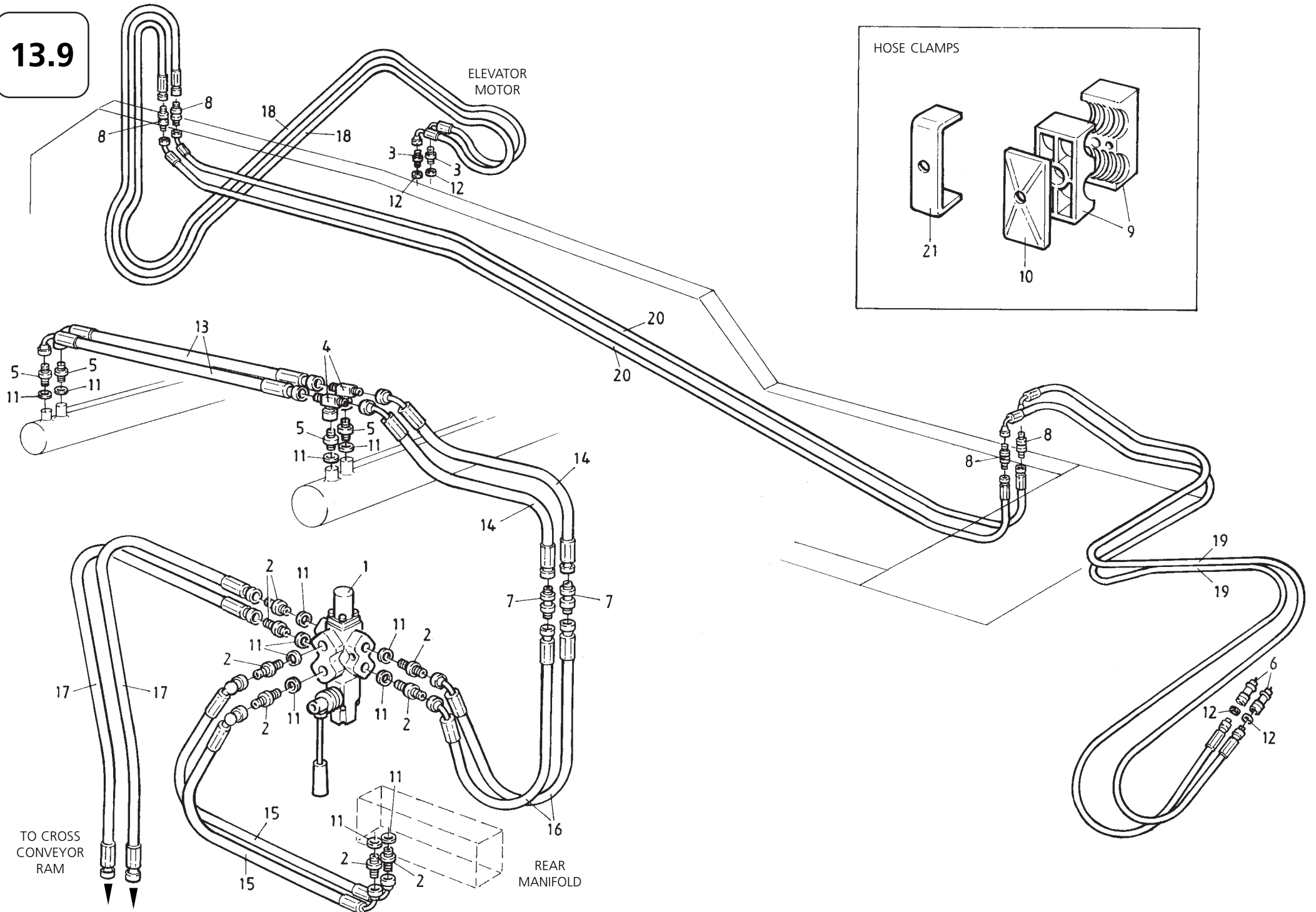
13.6



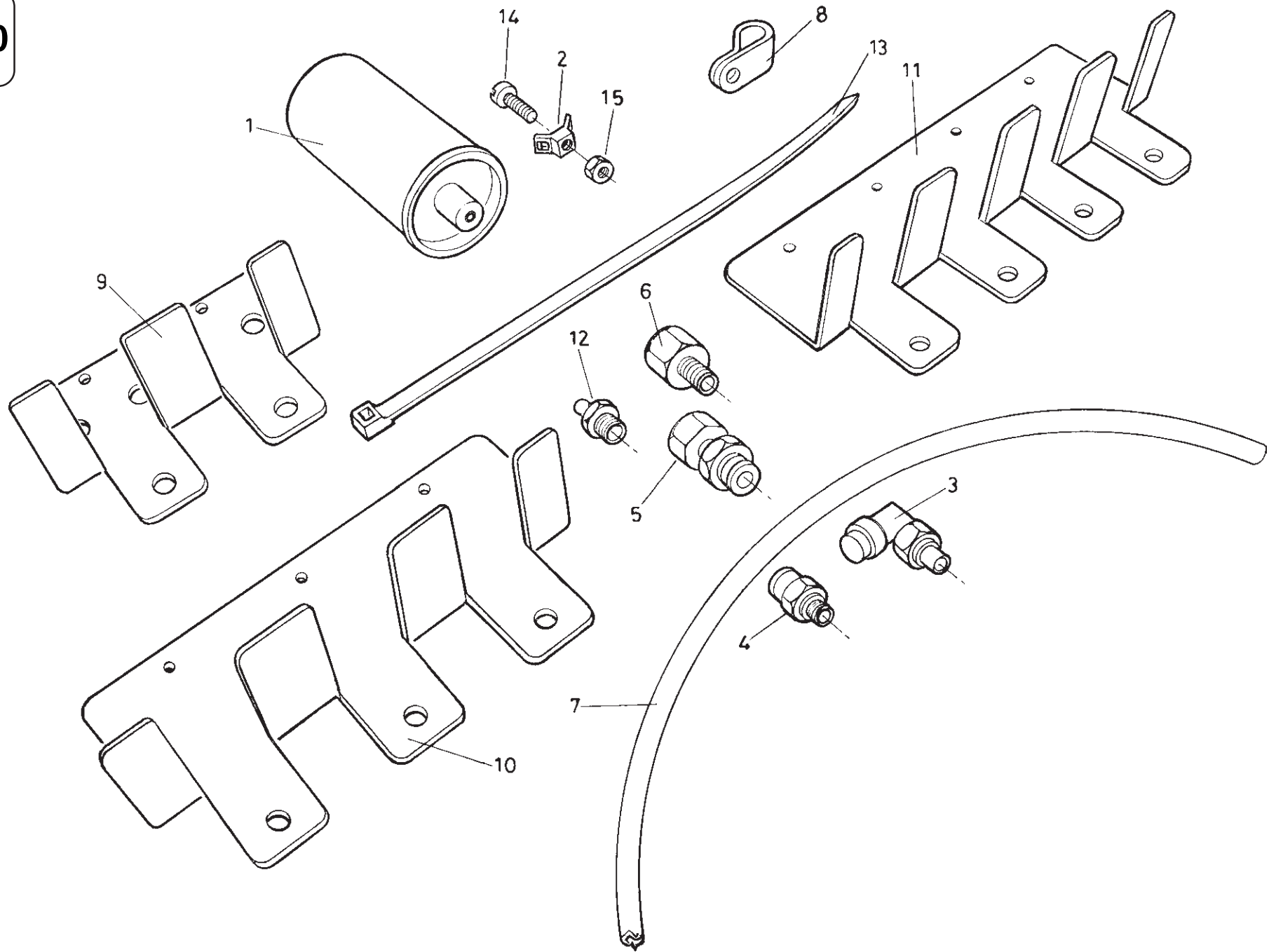
13.8



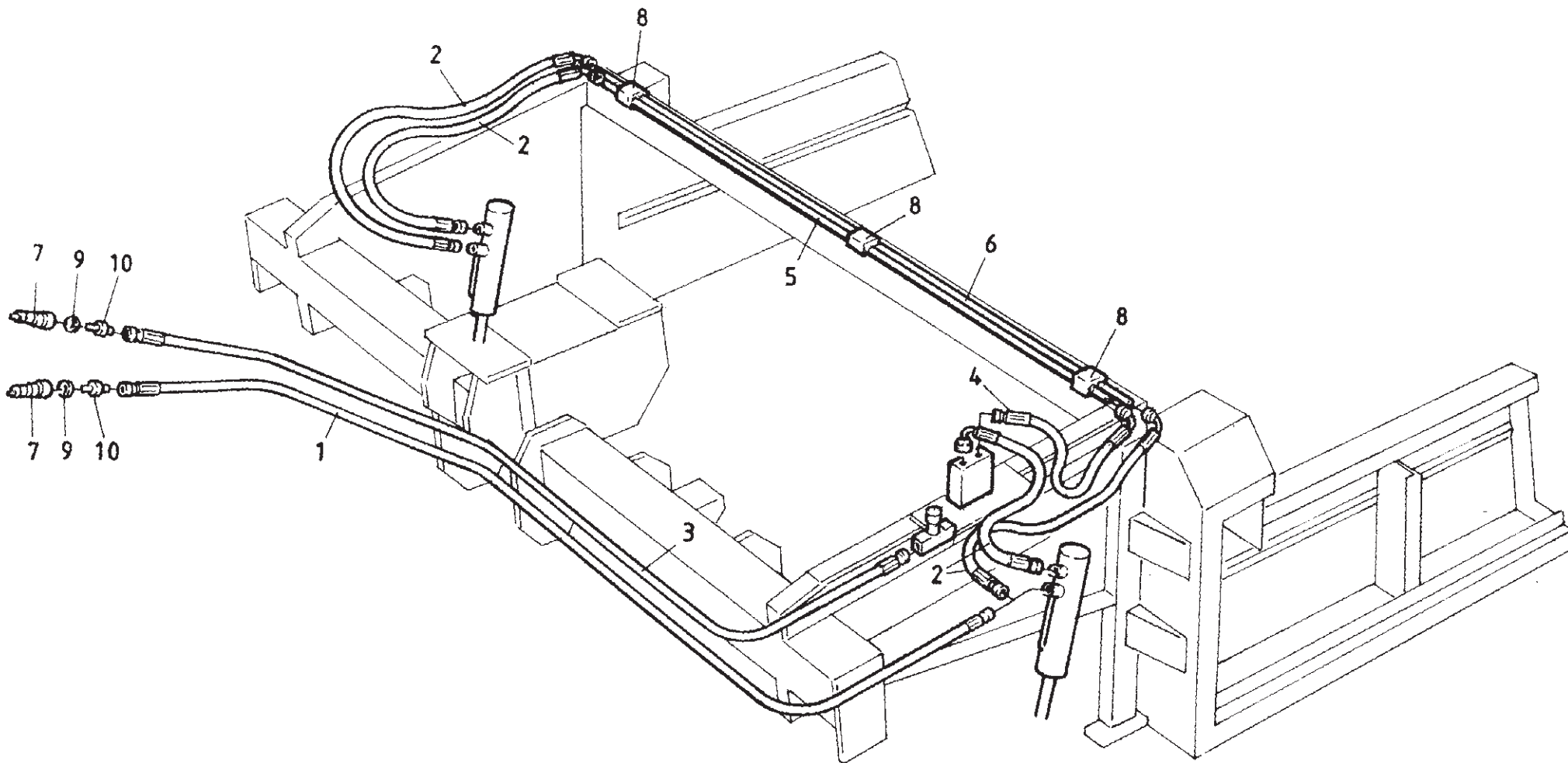
13.9



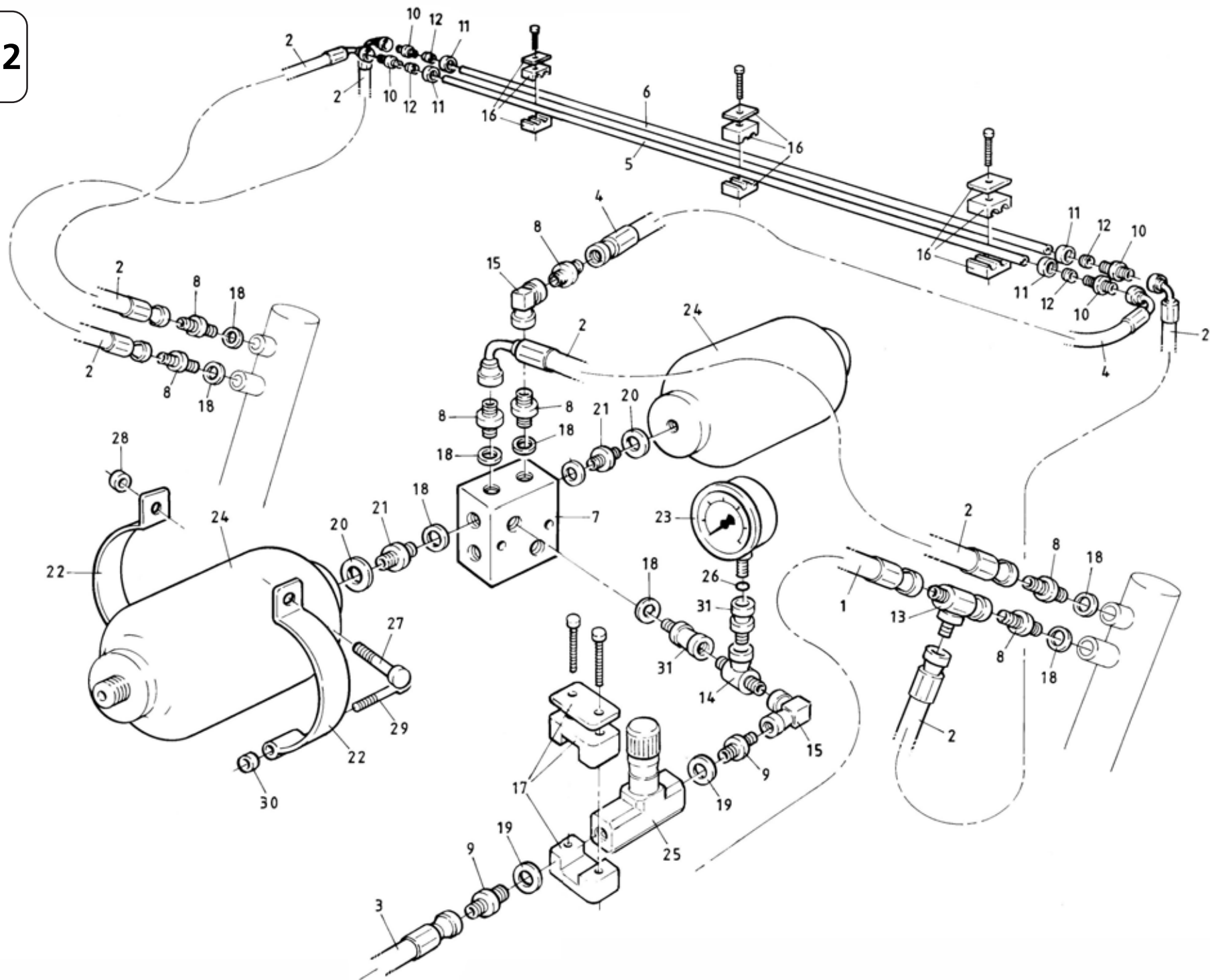
13.10



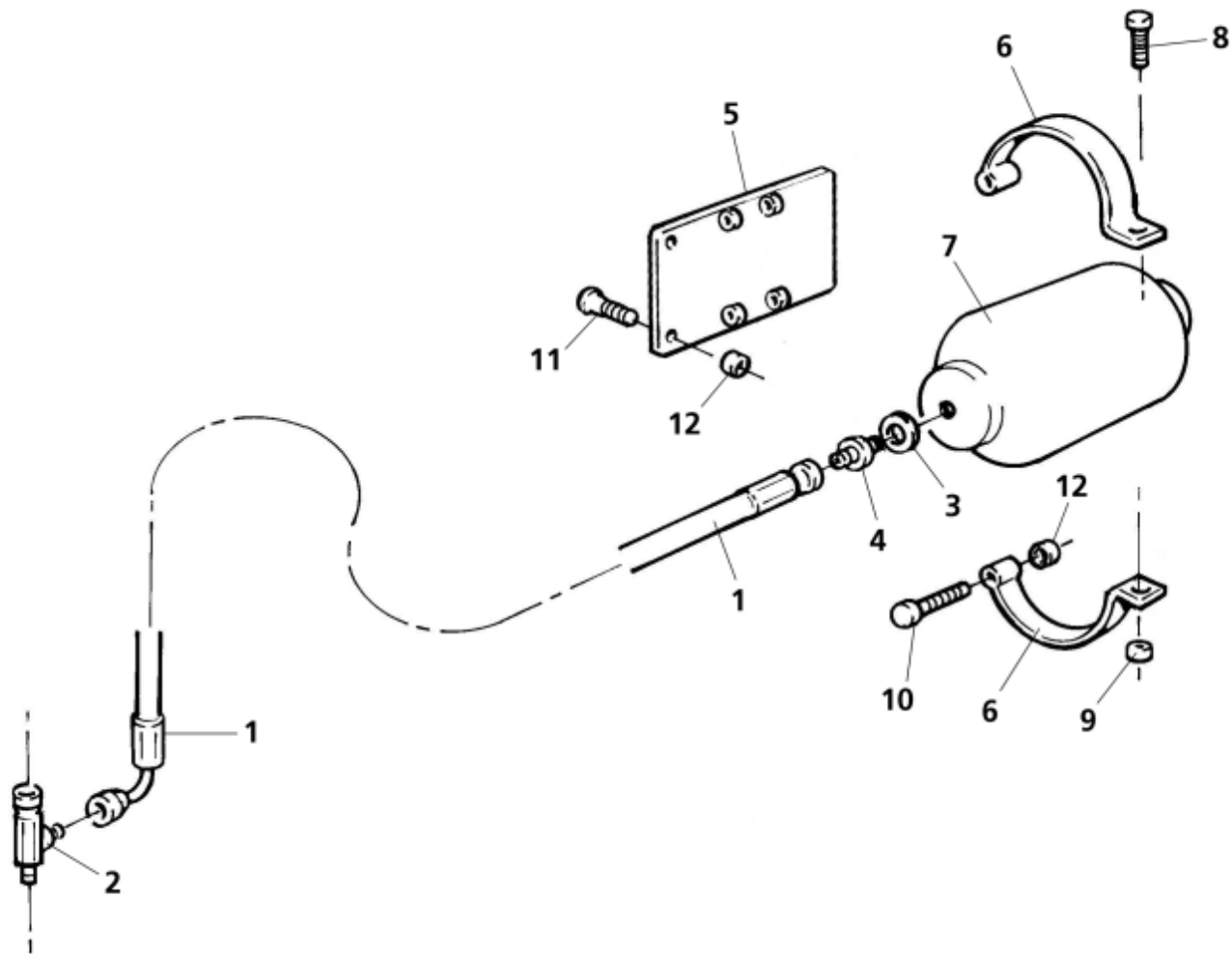
13.11



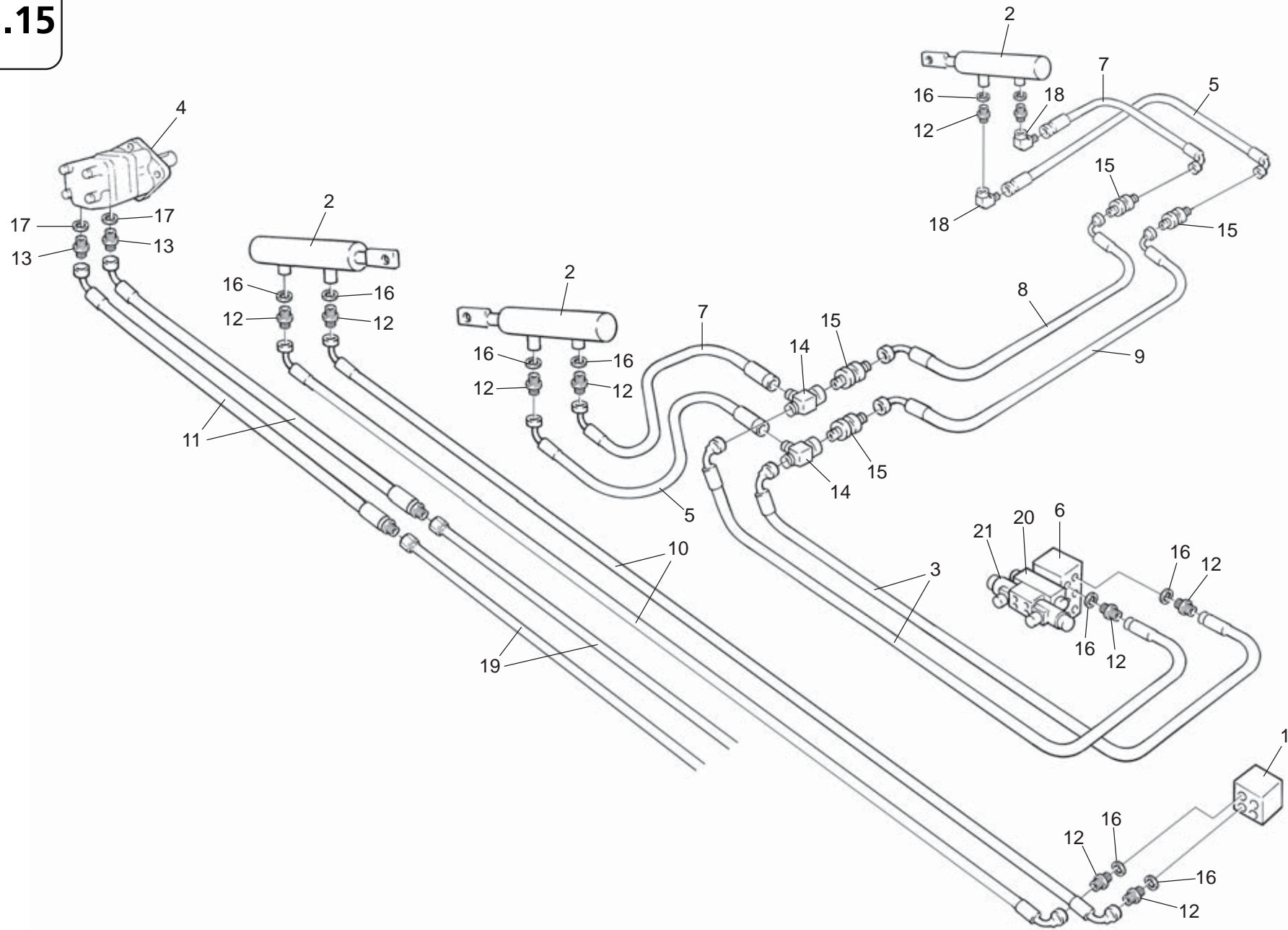
13.12



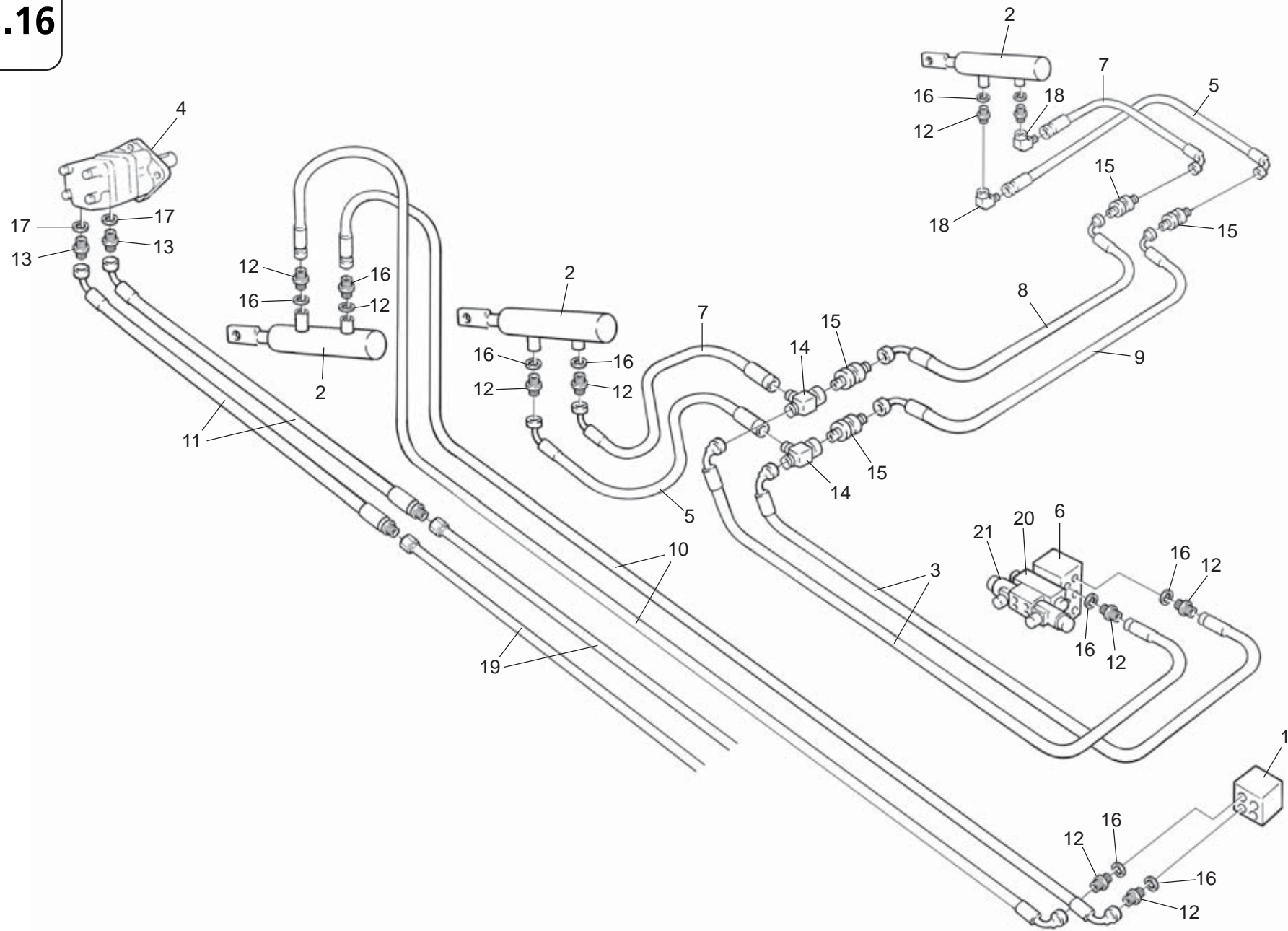
13.14



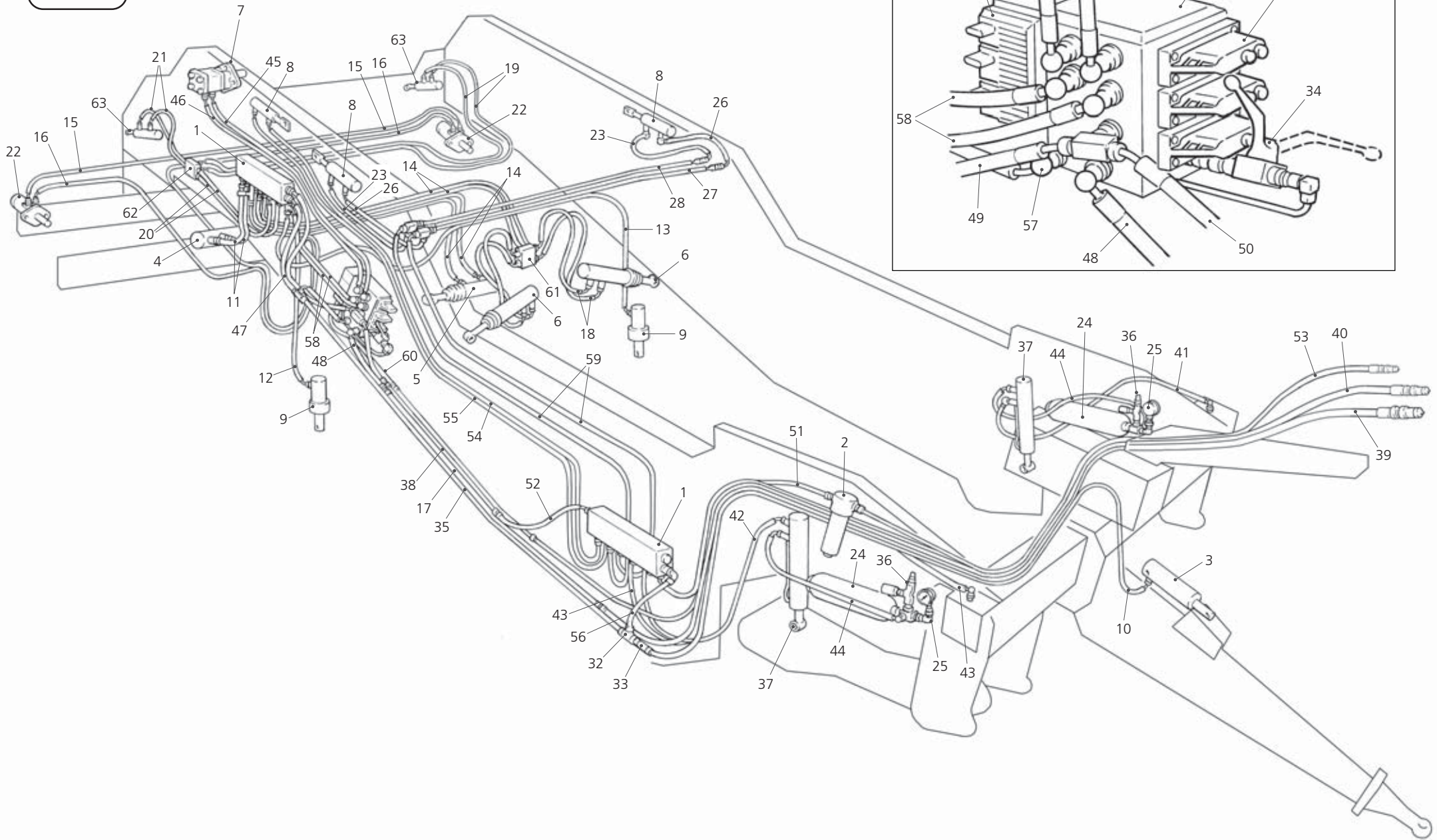
13.15



13.16



13.17



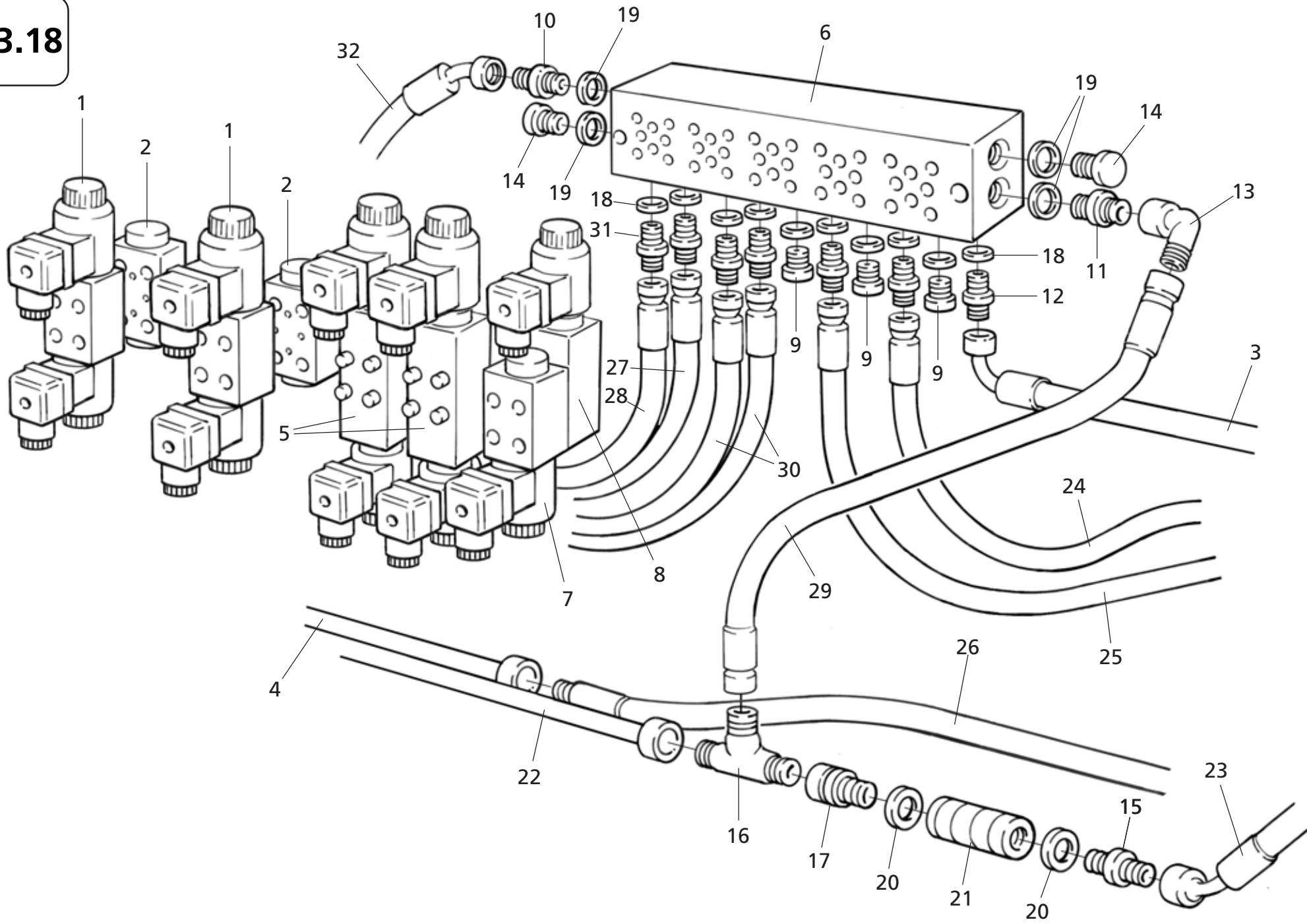
Assembly Group 13.17 - Hydraulic General Arrangement (Std. Open Head machines - 4 Web 2012 on)

Item	Description	Part No.	Qty.
1	5 Station Manifold	UN-01555	2
2	Filter Assembly	UN-00107	1
2A	Filter (Spare Element only)	UN-00108	
3	Front Lift Ram	UN-13550	1
3A	Front Lift Ram Seal Kit	UN-00110	
4	Cross Conveyor Ram	UN-00111	1
4A	Cross Conveyor Ram Seal Kit	UN-00112	
5	Steering Ram	UN-00113	1
5A	Steering Ram Seal Kit	UN-00114	
6	Levelling Ram (4 Web / Star machines)	UN-00117	2
6A	Levelling Ram Seal Kit	UN-00114	
6	Levelling Ram (5 / 6 Web machines)	UN-11798	2
6A	Levelling Ram Seal Kit	UN-00114	
7	Hydraulic Motor	UN-01038	1
8	Pressure Pad Ram	UN-00121	3
8A	Pressure Pad Ram Seal Kit	UN-00122	
9	Rear Lift Ram	UN-00139	2
9A	Rear Lift Ram Seal Kit	UN-00140	
10	Hose: Front Lift (Narrow Machines)	UN-00782	1
10	Hose: Front Lift (Wide Machines)	UN-00820	1
11	Hose: Cross Conveyor Ram	UN-00784	2
12	Hose: Rear Lift (RH)	UN-00785	1
13	Hose: Rear Lift (LH)	UN-00786	1
13	Hose: Rear Lift (LH - Wide Machines)	UN-00816	1
14	Hose: Steering Ram (Narrow Machines)	UN-00787	4
14	Hose: Steering Ram (Wide Machines)	UN-00817	4
15	Hose: Cross Conveyor - Motor to Motor	UN-00799	1
16	Hose: Cross Conveyor - Motor to Bulkhead Hose	UN-00800	2
17	Steel Pipe: Feed	UN-00803	1
18	Hose: Steering Ram	UN-00817	4
19	Hose: Stone Box Ram to Stone Box Manifold (LH-Narrow machines)	UN-00822	2
19	Hose: Stone Box Ram to Stone Box Manifold (LH-Wide machines)	UN-01033	2
20	Hose: Rear Manifold to Stone Box Manifold	UN-00823	2
21	Hose: Stone Box Ram to Stone Box Manifold	UN-00824	2
22	Motor	UN-00886	2
23	Hose: Pressure Pad Ram to Tee	UN-01238	2
24	Disc Ram Accumulator	UN-01772	2
25	Gauge - 1400 psi (0-100 bar)	UN-01852	2
26	Hose: Pressure Pad Ram to Tee	UN-01921	2

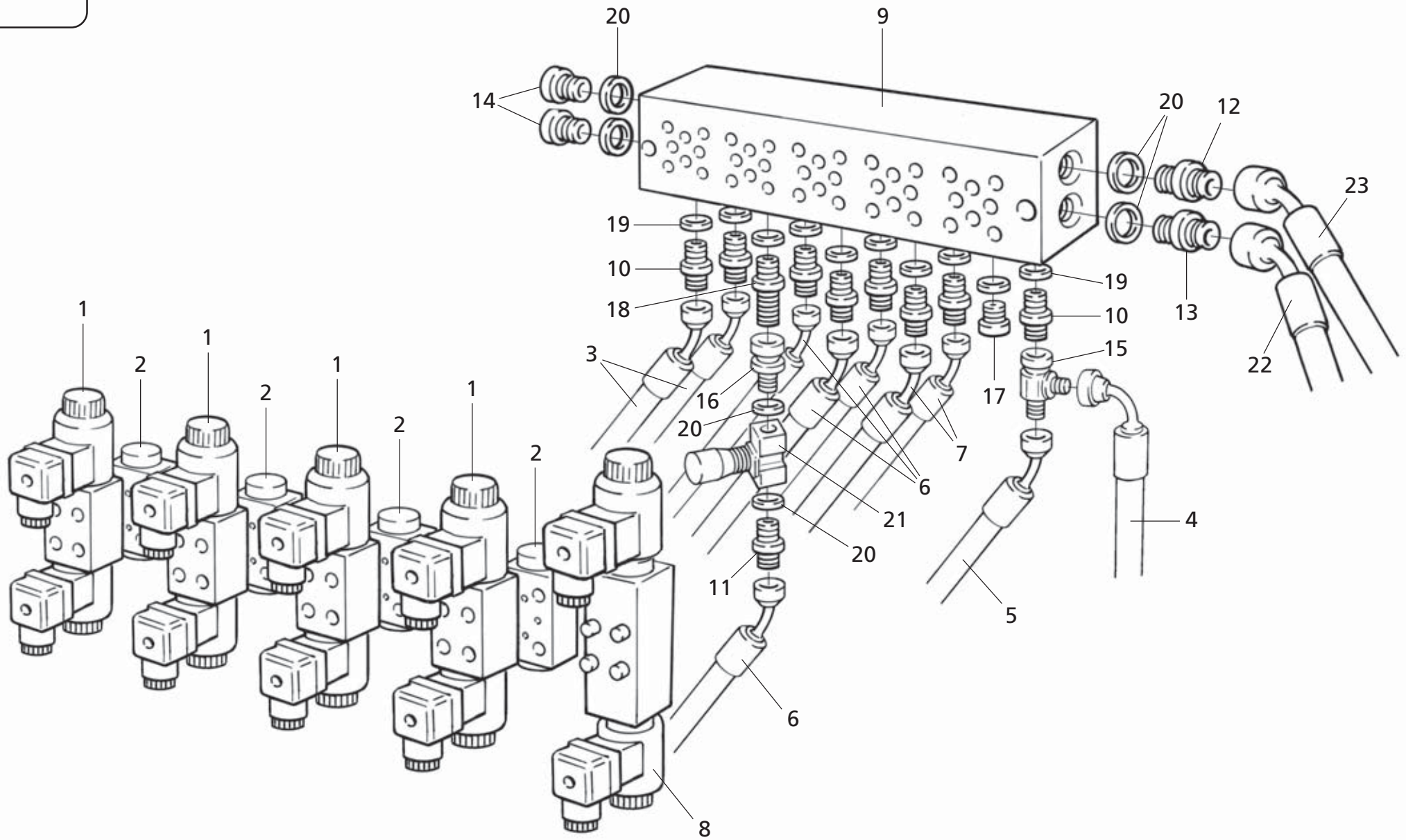
Item	Description	Part No.	Qty.
27	Hose: Bulkhead to Bulkhead (Narrow machines)	UN-01922	1
27	Hose: Bulkhead to Bulkhead (Wide machines)	UN-13582	1
28	Hose: Bulkhead to Bulkhead (Narrow machines)	UN-01923	1
28	Hose: Bulkhead to Bulkhead (Wide machines)	UN-13583	1
29	Proportional Valve Block Assembly	UN-02040	1
30	Mechanical Actuator	UN-02042	3
31	Solenoid	UN-02043	3
32	Tee Piece 15L MMM	UN-05059	1
33	1/2 " BSP Non Return Valve	UN-05151	1
34	Ball Valve	UN-05161	1
35	Steel Pipe: Return	UN-05170	1
36	Needle Valve	UN-05198	2
37	Disc Ram	UN-11704	2
38	Steel Pipe: Feed From Danfoss Valve to Front Manifold	UN-12310	1
39	Hose: Tractor to Filter	UN-12620	1
40	Hose: Return to Tractor	UN-12622	1
41	Hose: L/H Disc Ram to Crossmember	UN-12625	1
42	Hose: Valve Block to R/H Disc Ram	UN-12626	1
43	Hose: Valve Block to Crossmember	UN-12627	1
44	Hose: Disc Ram to Accumulator	UN-12628	2
45	Hose: Danfoss Valve to Driven Scrubber Web Motor	UN-13561	1
46	Hose: Danfoss Valve to Driven Scrubber Web Motor	UN-13562	1
47	Hose: Return from Rear Manifold to Tee piece	UN-13563	1
48	Hose: Steel Pipe to Valve Block	UN-13564	1
49	Hose: Feed from Danfoss Tee Piece to Rear Manifold	UN-13565	1
50	Hose: Feed from Danfoss Tee Piece to Steel Pipe	UN-13566	1
51	Hose: Filter to Steel Pipe	UN-13567	1
52	Hose: Feed from Steel Pipe to Front Manifold	UN-13568	1
53	Hose: Load Sensing, Steel Pipe to Tractor	UN-13569	1
54	Hose: Front Manifold to Driven Scrubber Web Ram	UN-13570	1
55	Hose: Front Manifold to Driven Scrubber Web Ram	UN-13571	1
56	Hose: Return from Front Manifold to Tee	UN-13572	1
57	Hose: Return from Danfoss Valve to Tee piece	UN-13573	1
58	Hose: Feed and Return to Cross Conveyor Motor	UN-13574	2
59	Hose: Front Manifold to Driven Scrubber Web Tee	UN-13577	2
60	Hose: Load Sensing, Danfoss Valve to Steel Pipe	UN-13578	1
61	Rear Lift Manifold	UN-15085	1
62	Stone Box Manifold	UN-15085	1
63	Stone Box Ram	UN-00119	2

A/R = As Required NI = Not Illustrated N/A = Not Applicable

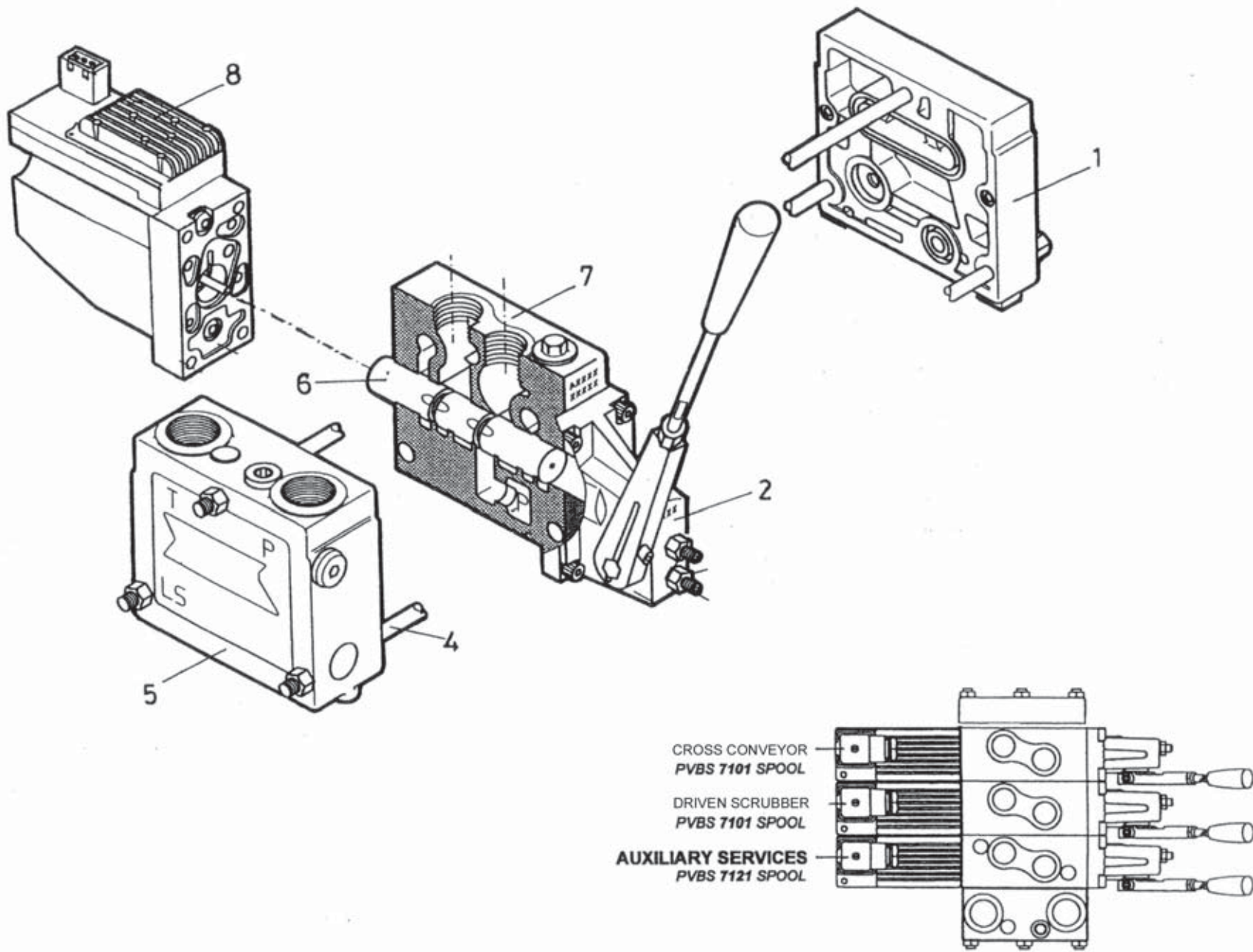
13.18



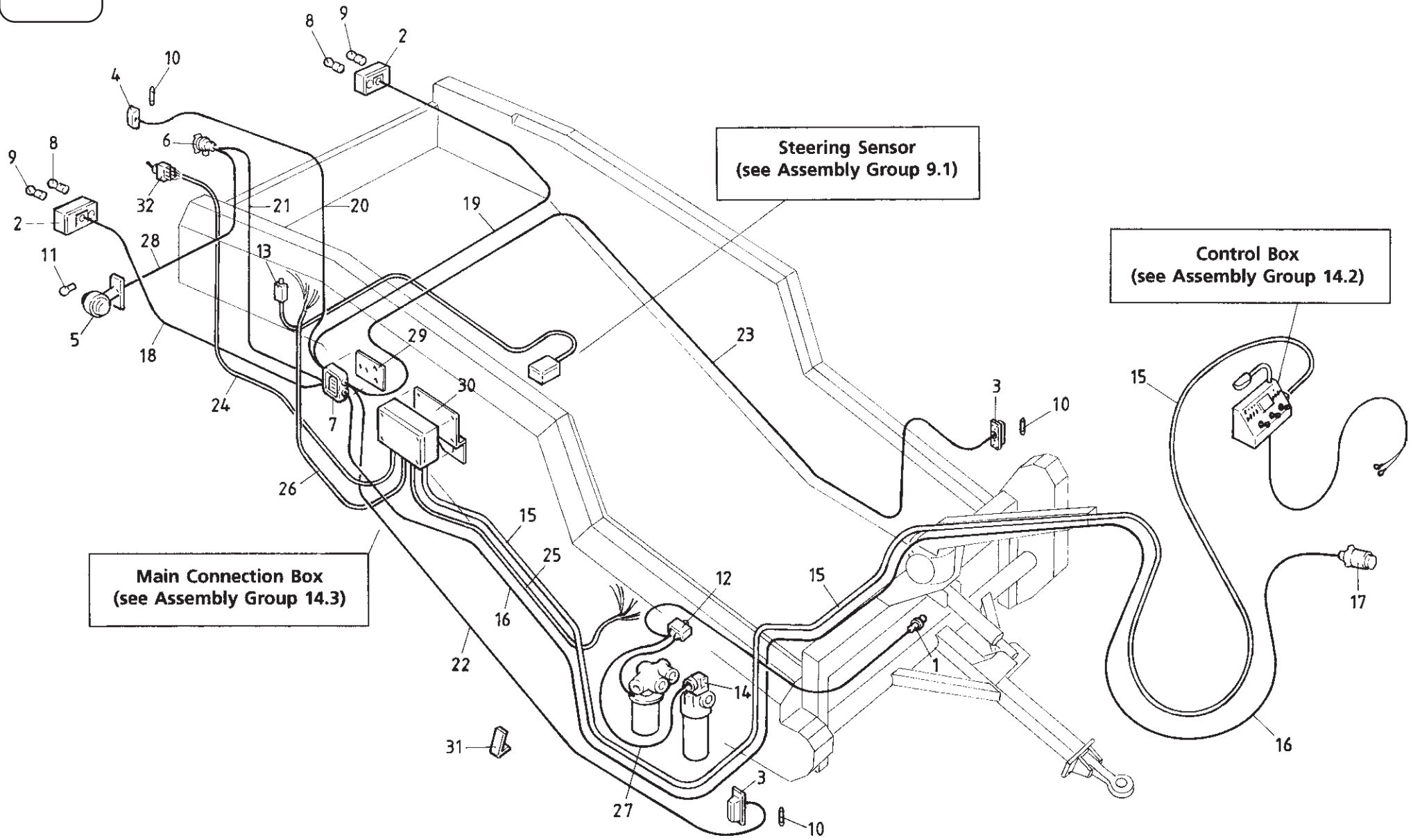
13.19



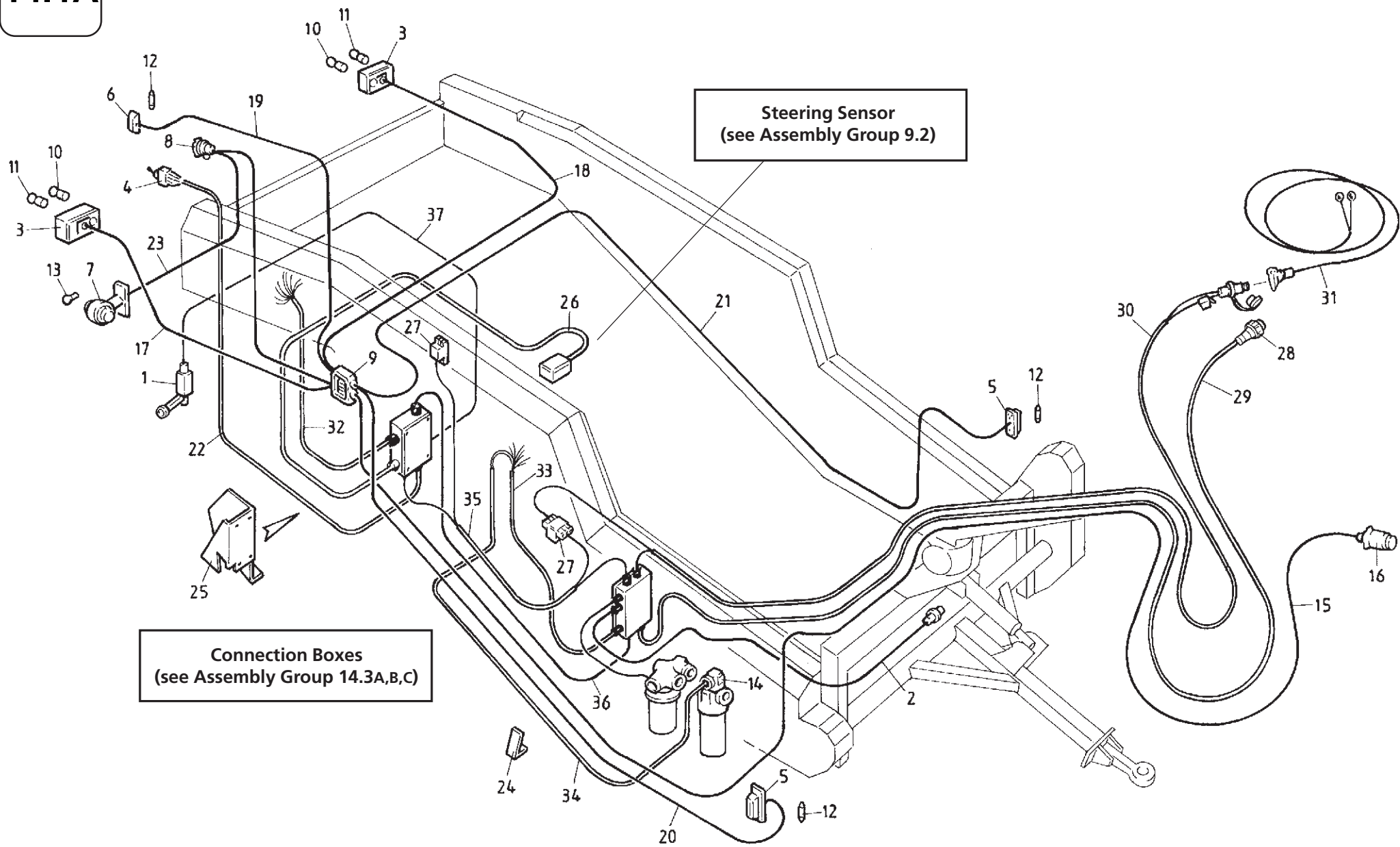
13.20



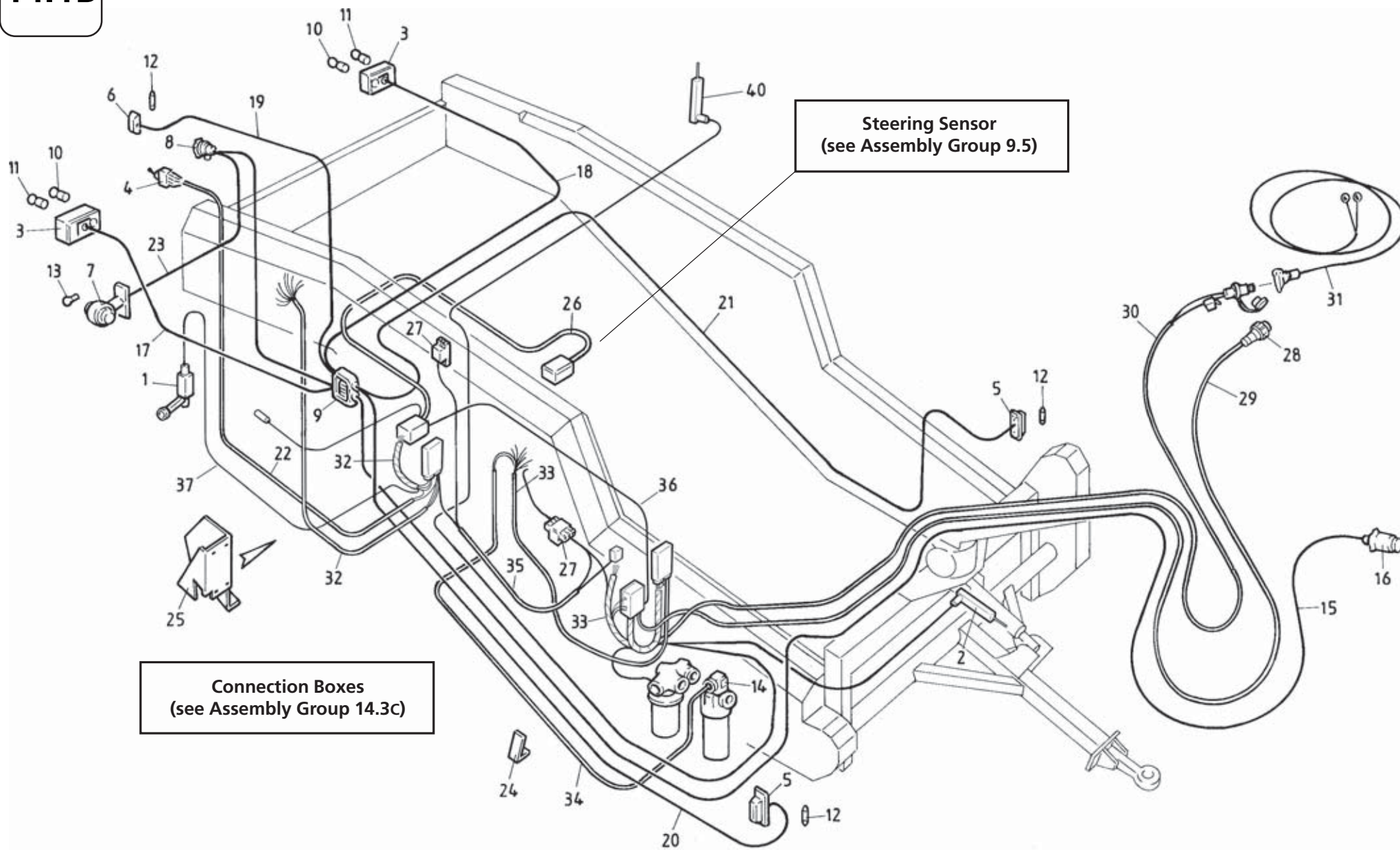
14.1



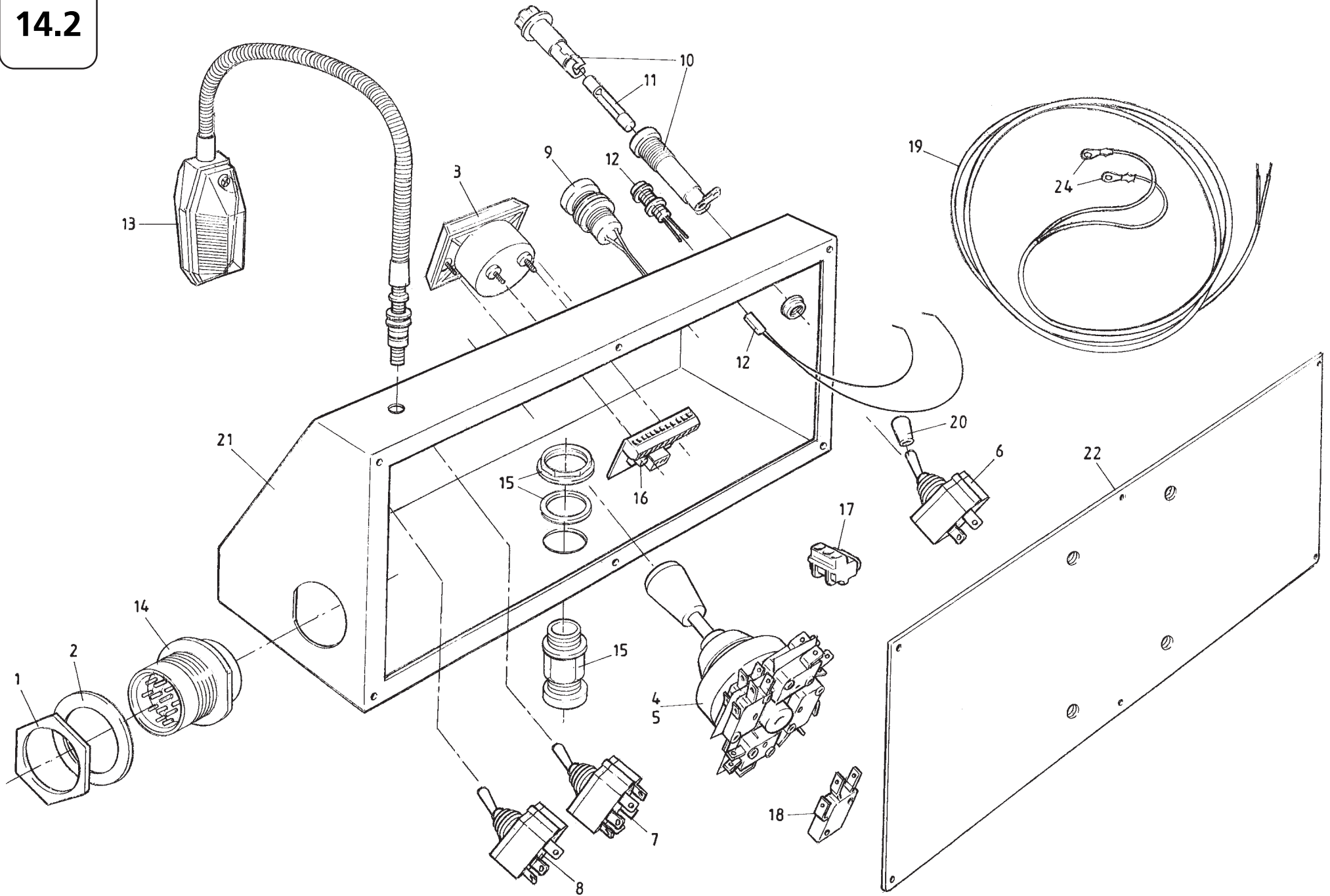
14.1A



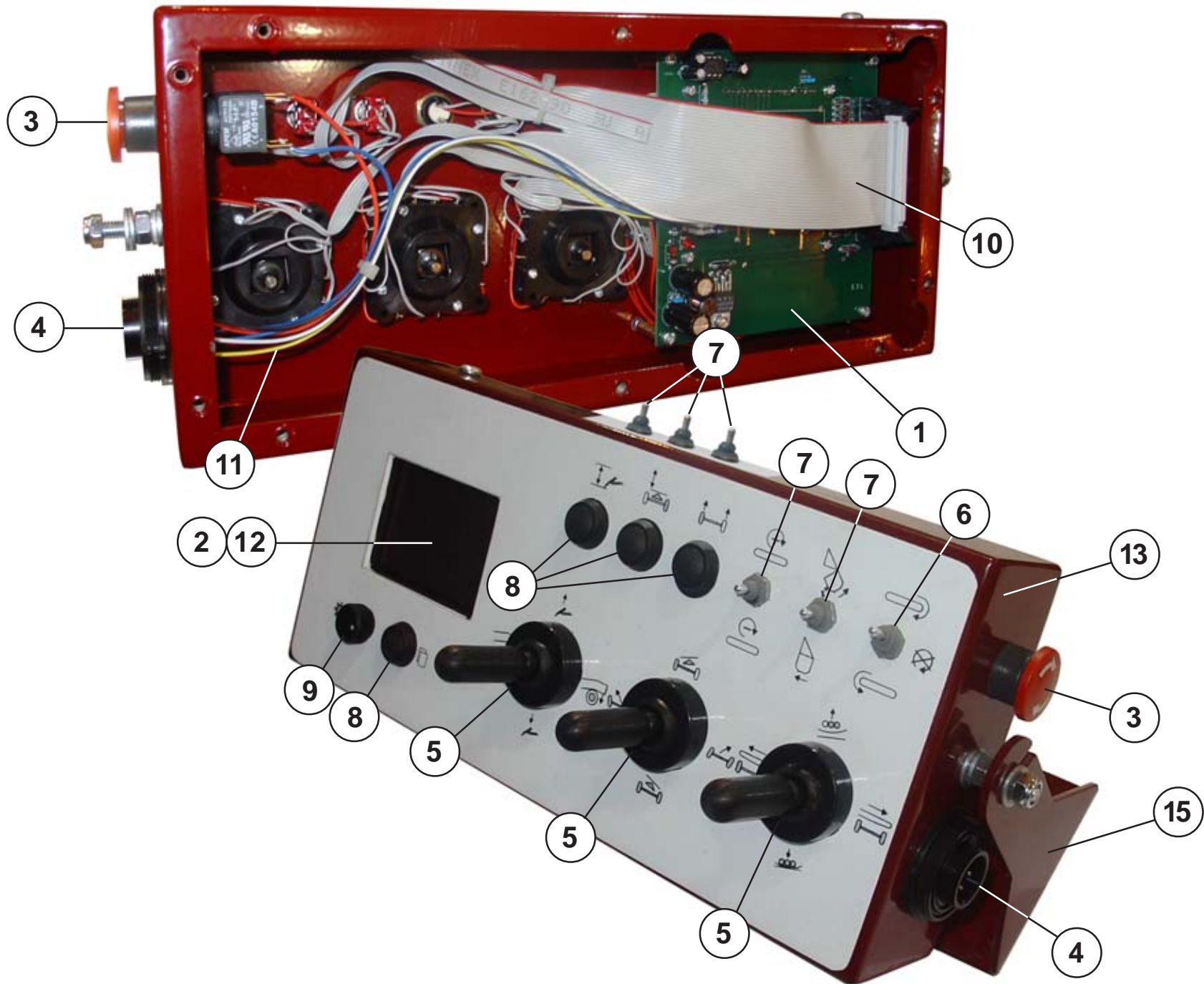
14.1B



14.2



14.2A

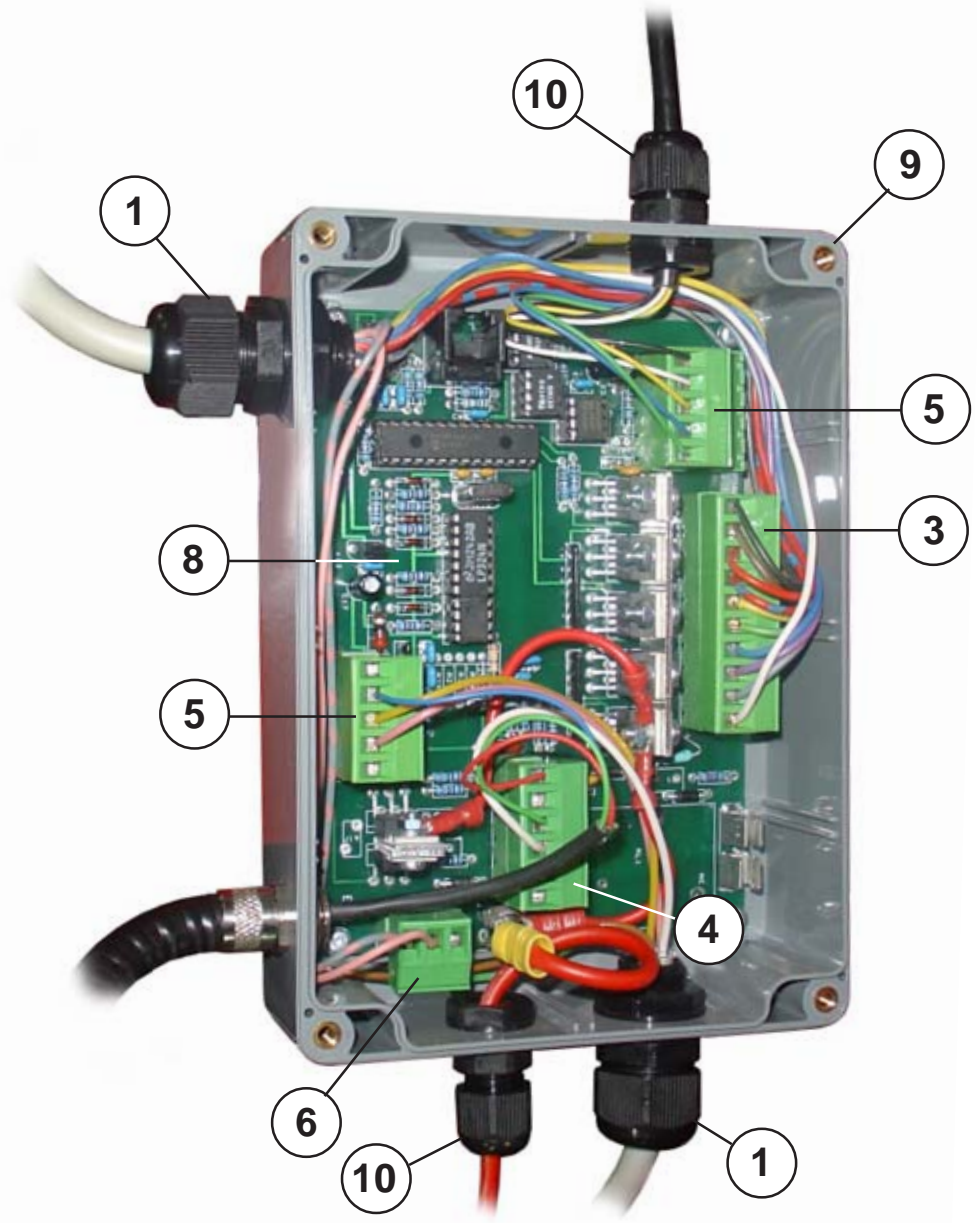


14.2B

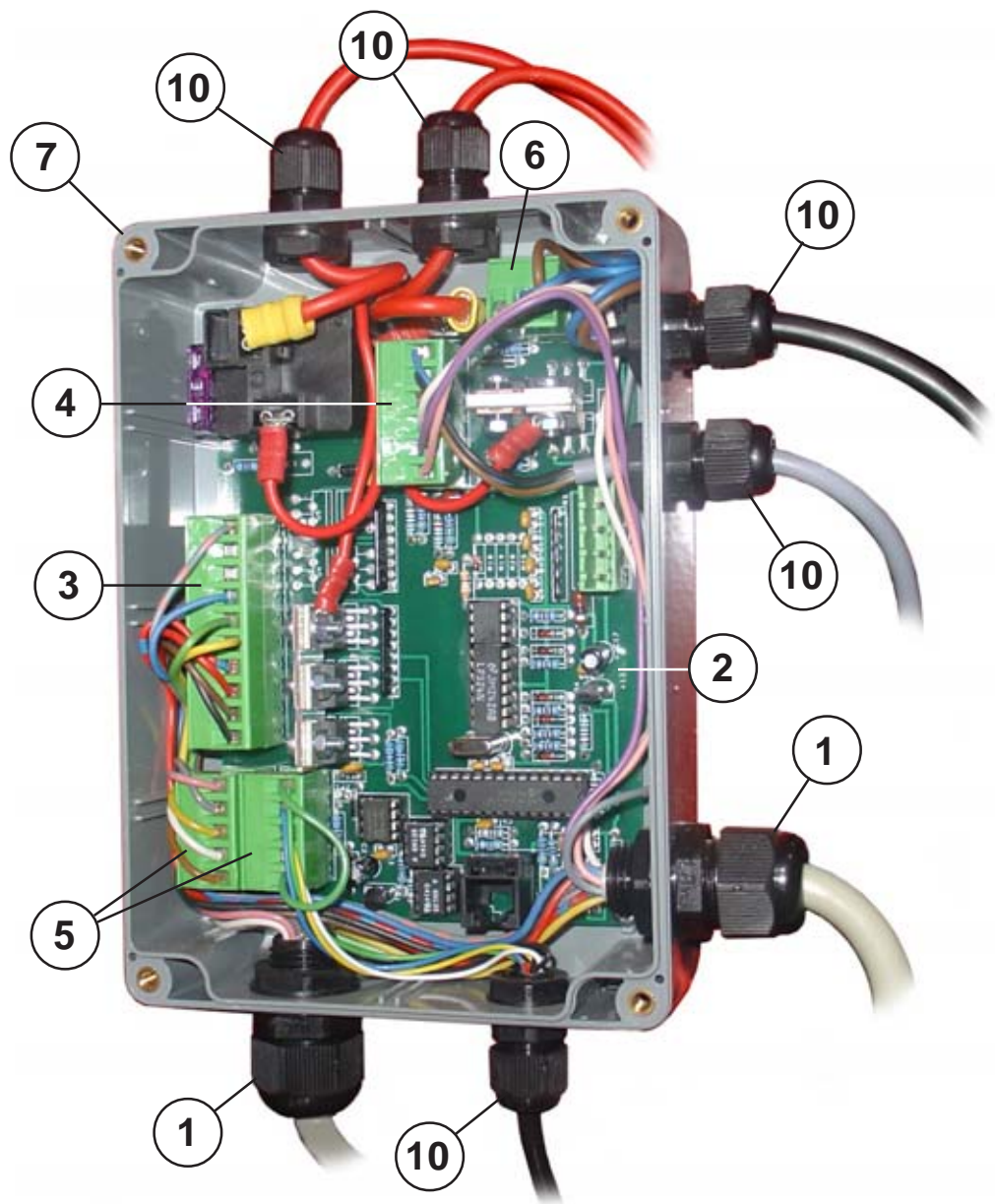


14.3A

Rear Connection Box

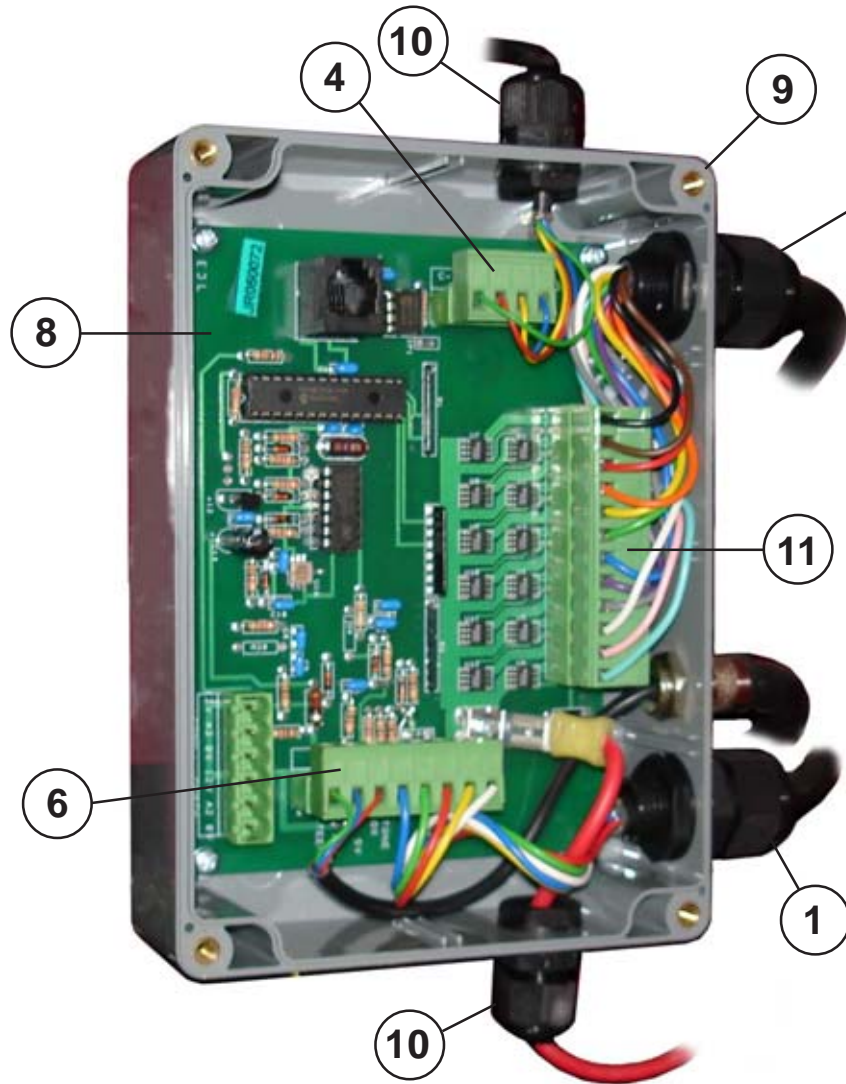


Front Connection Box

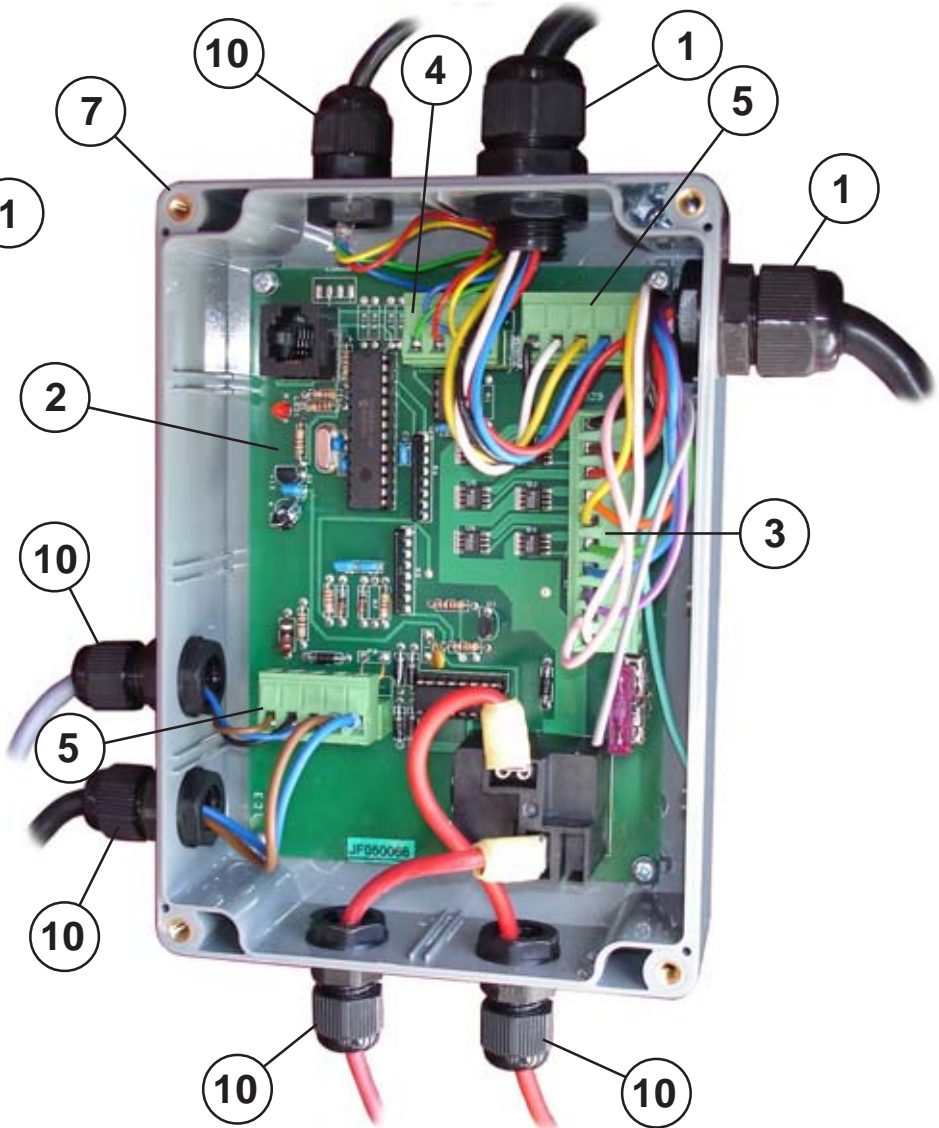


14.3B

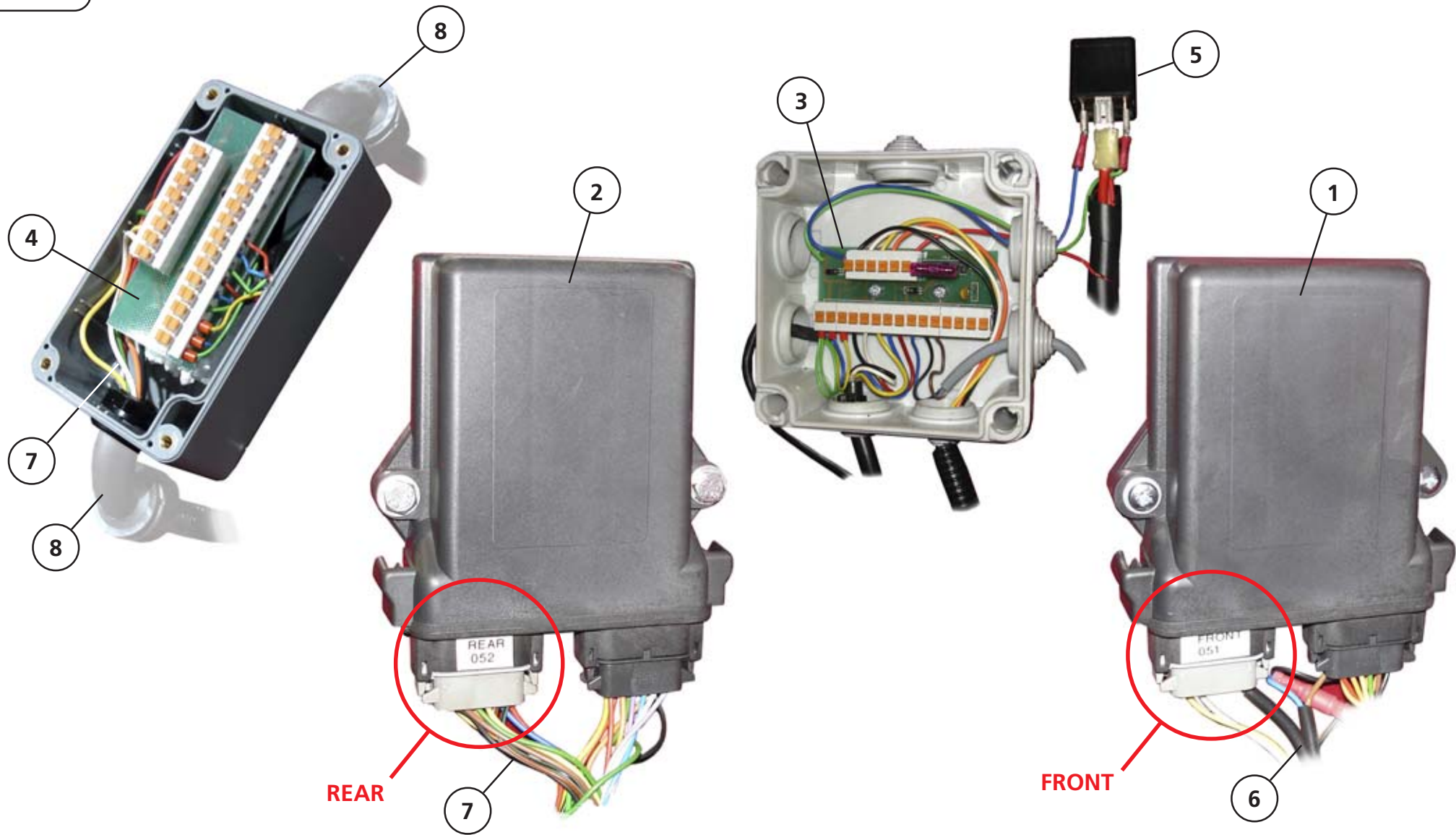
Rear Connection Box



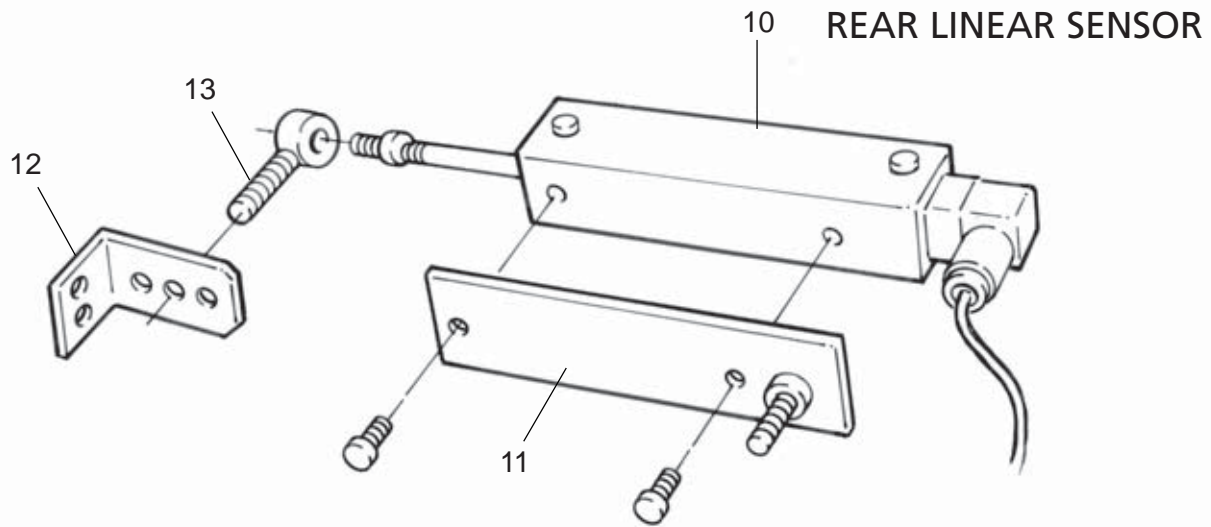
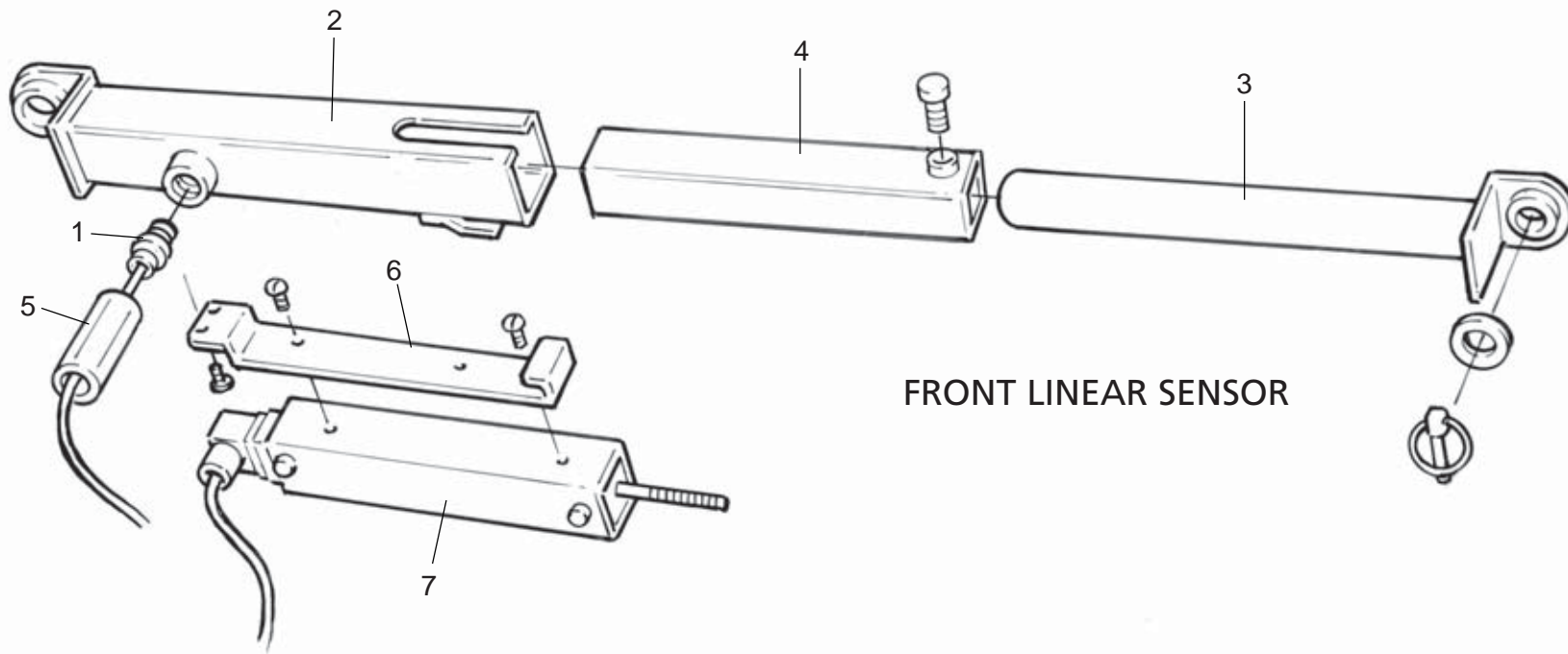
Front Connection Box



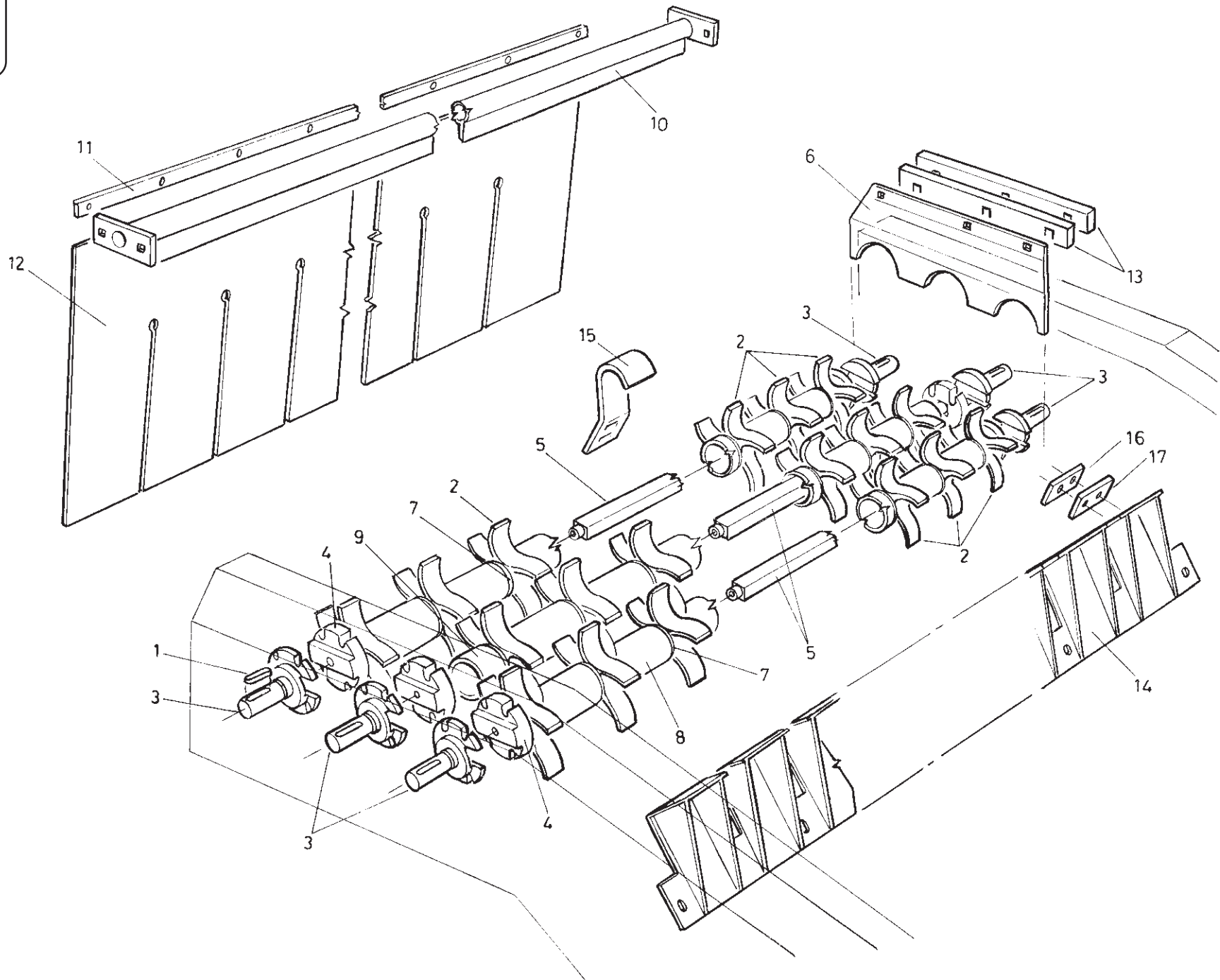
14.3C



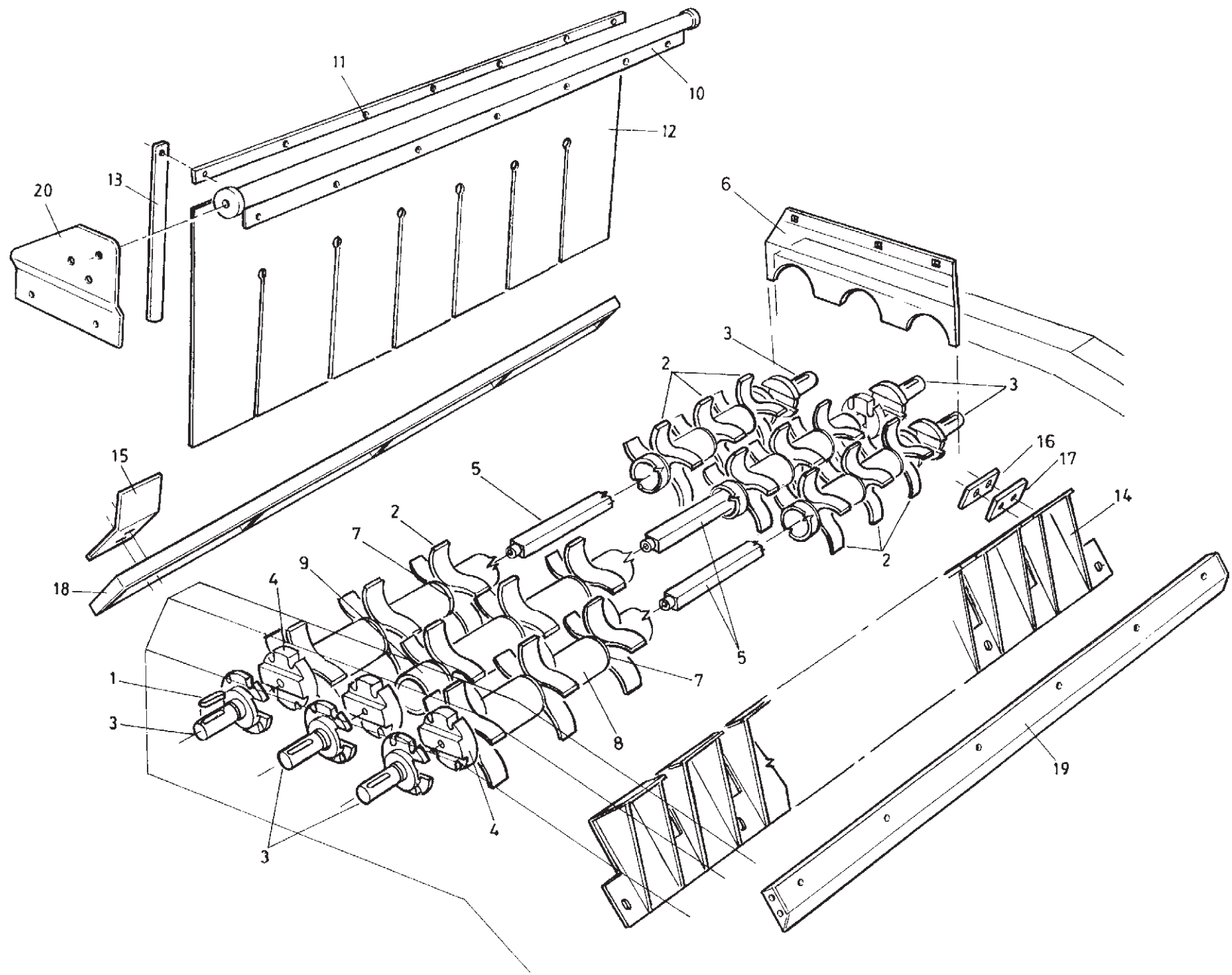
14.4



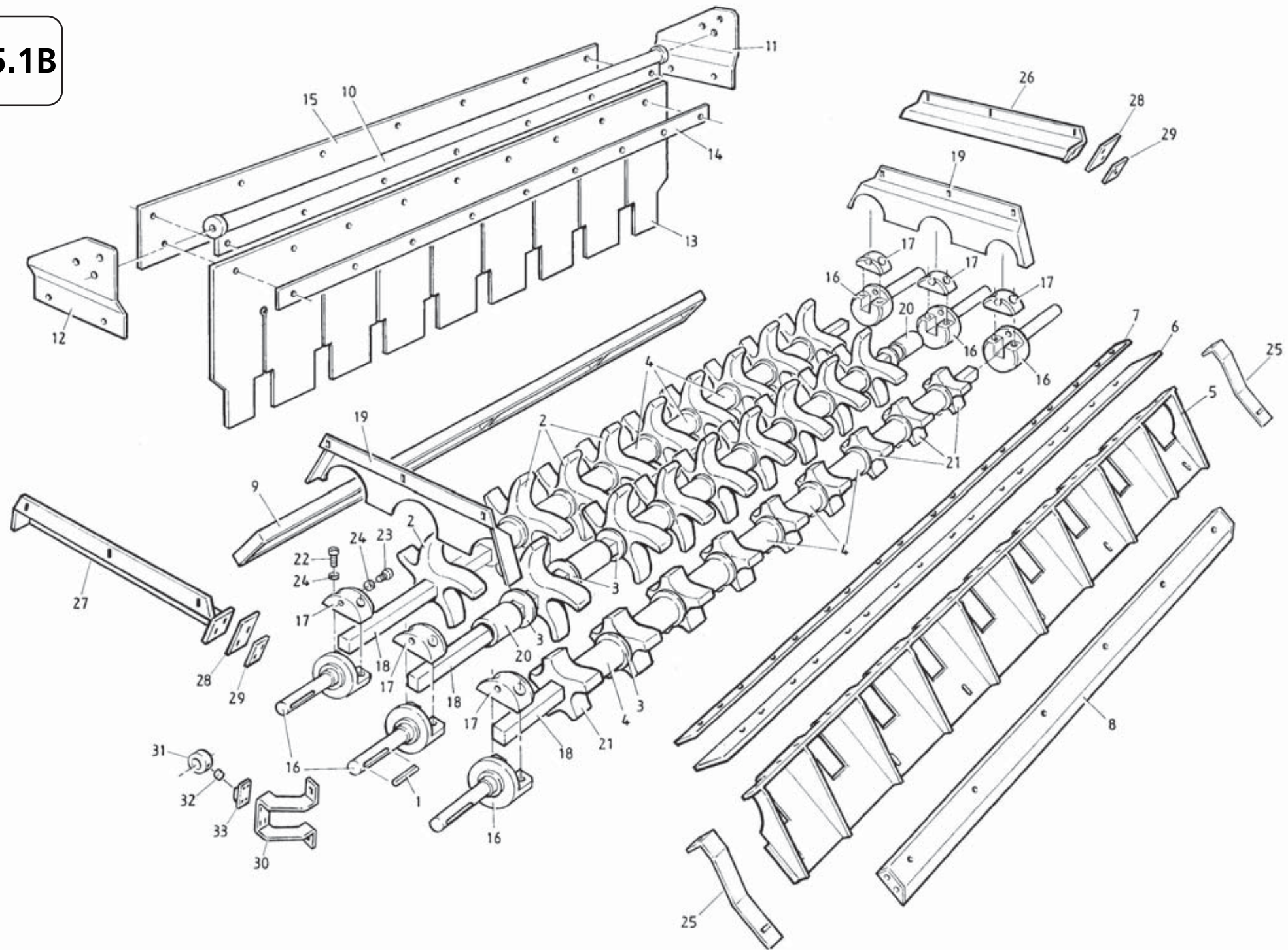
15.1



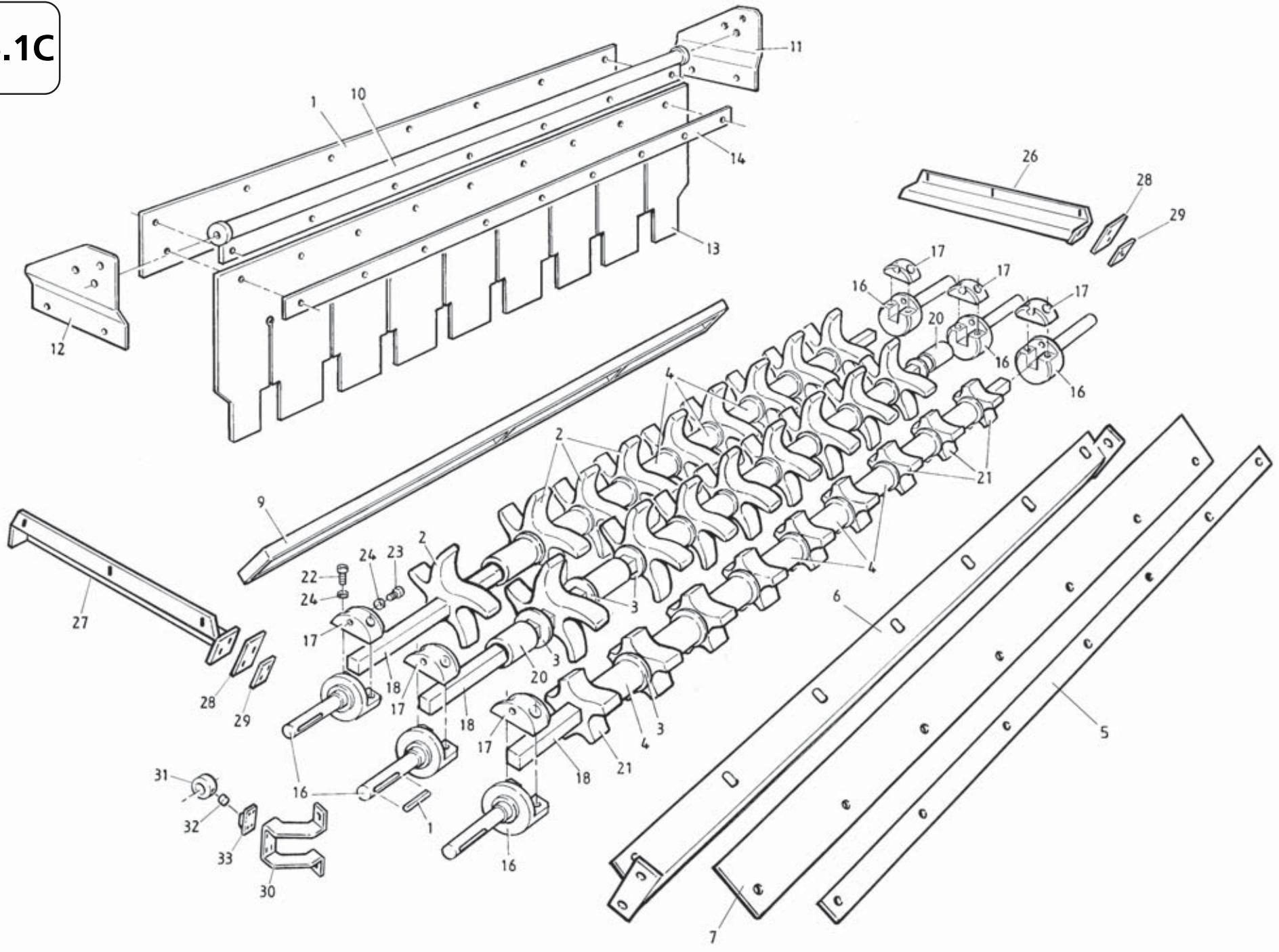
15.1A



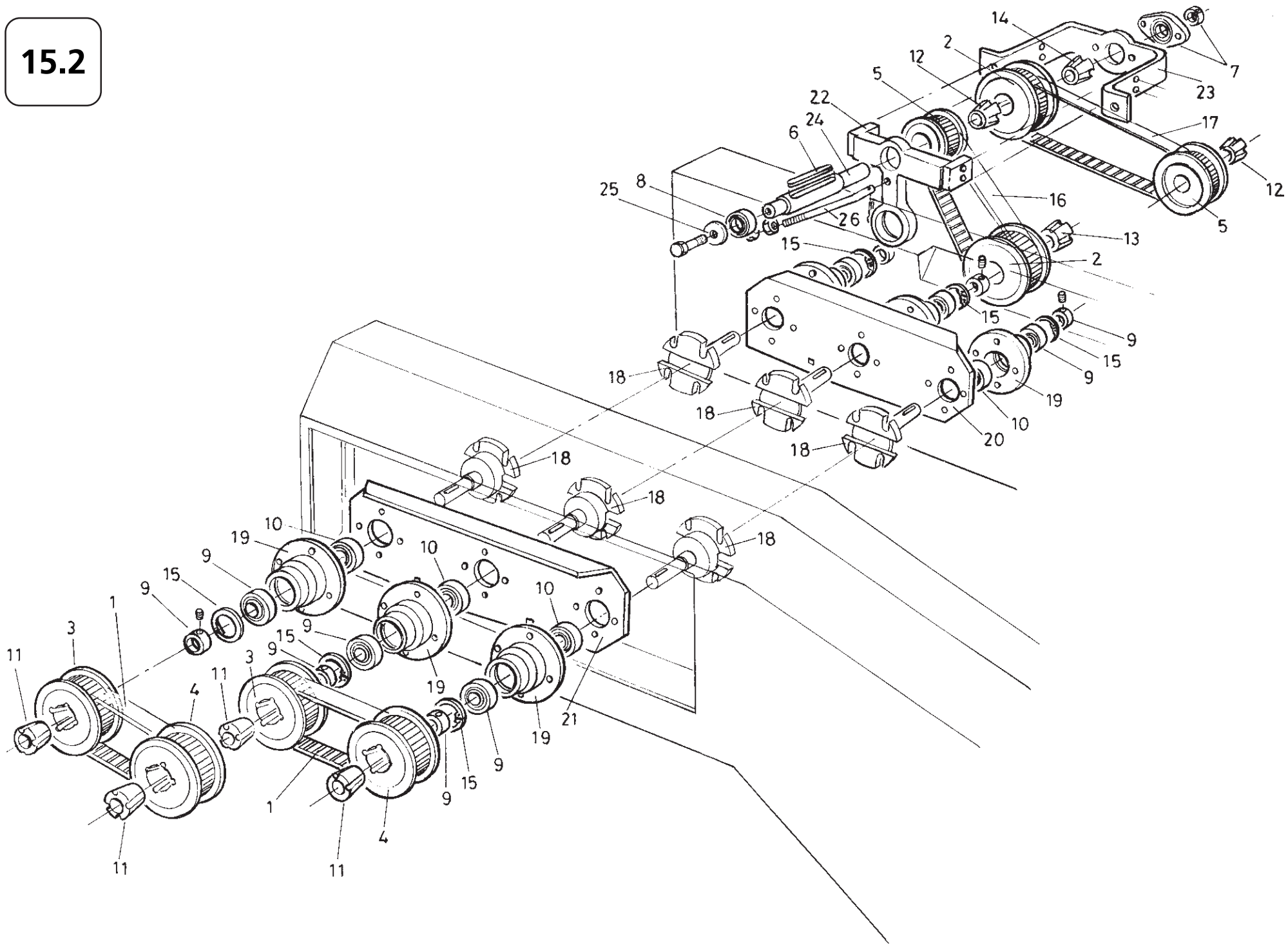
15.1B



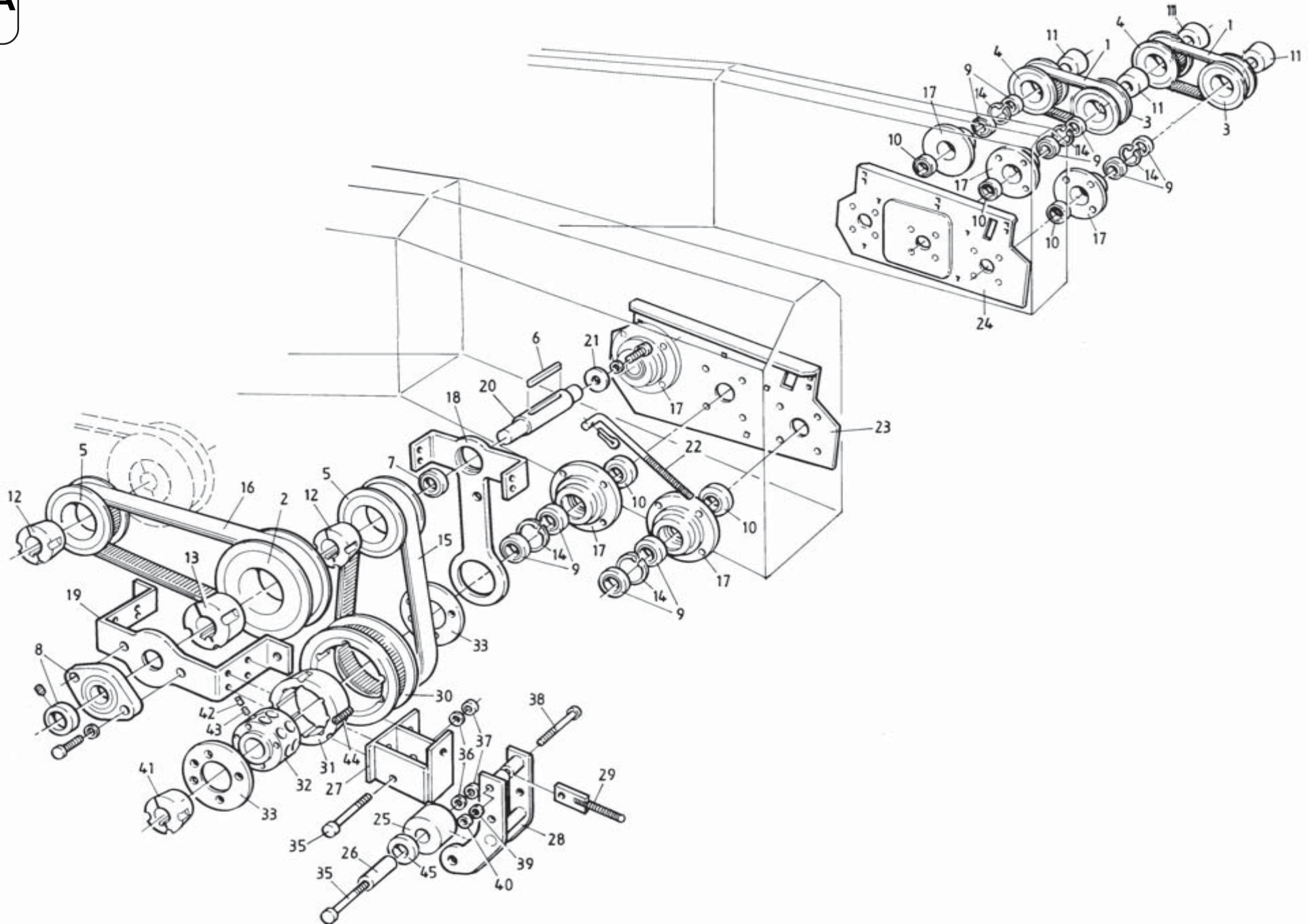
15.1C



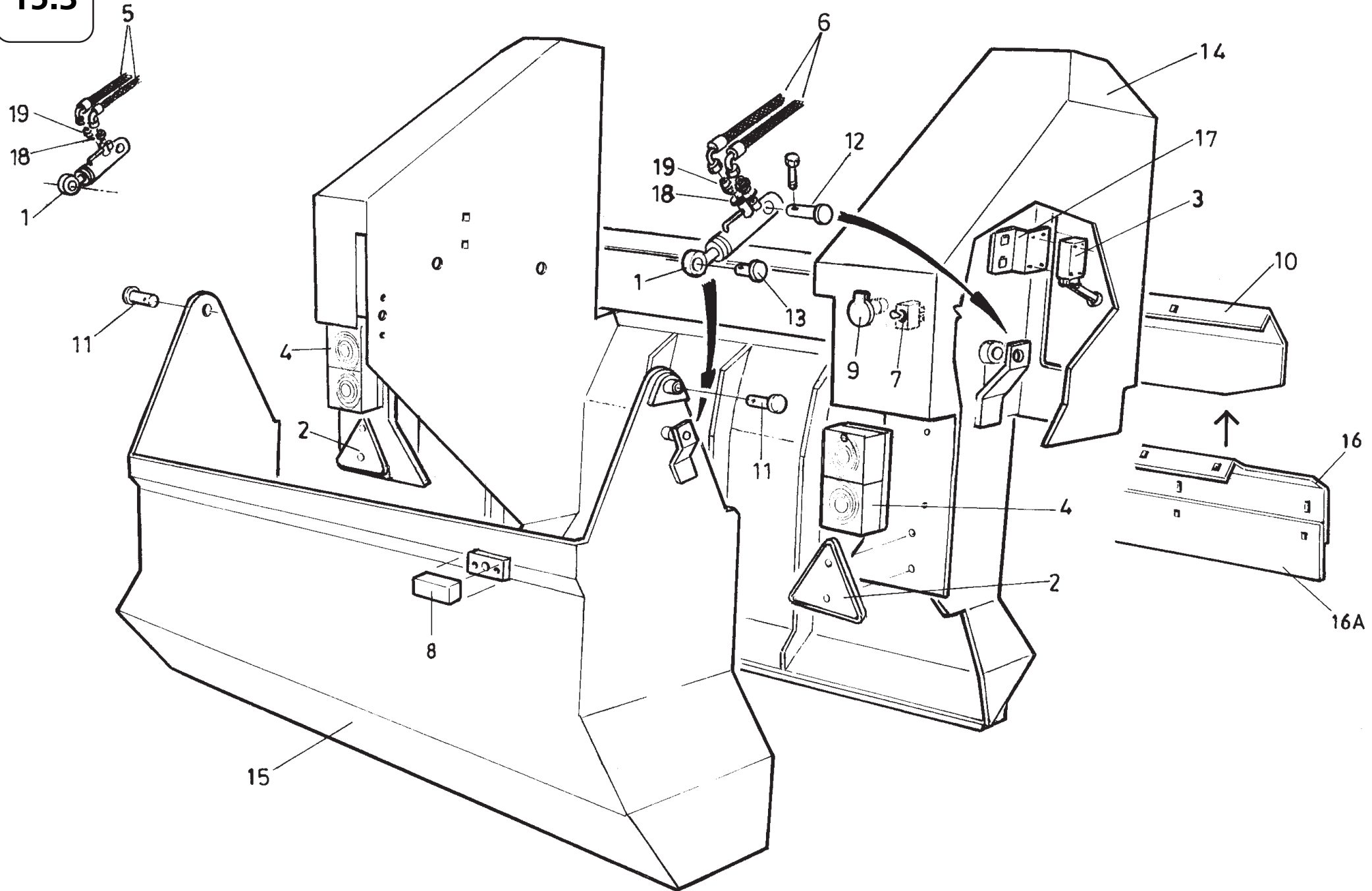
15.2



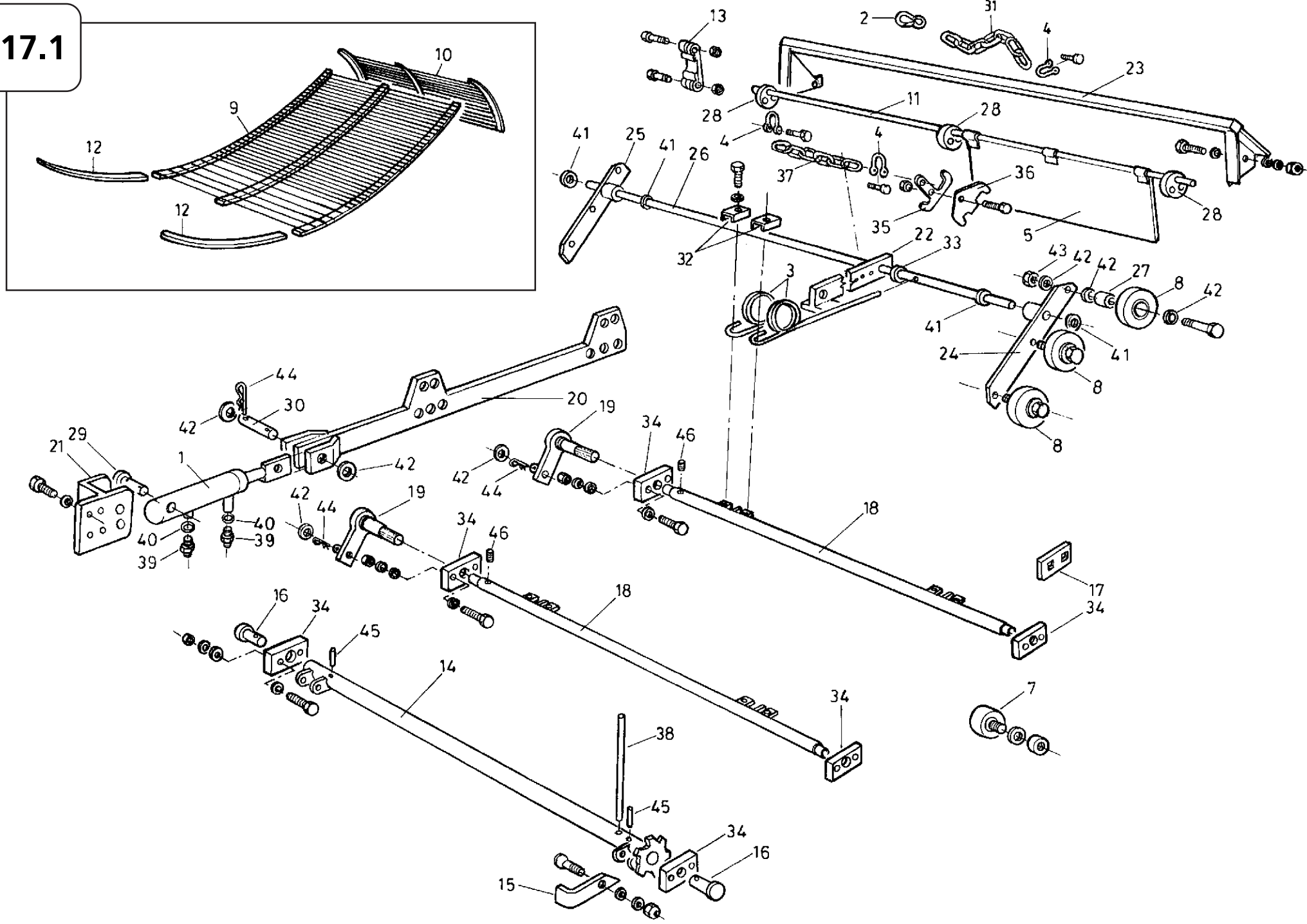
15.2A



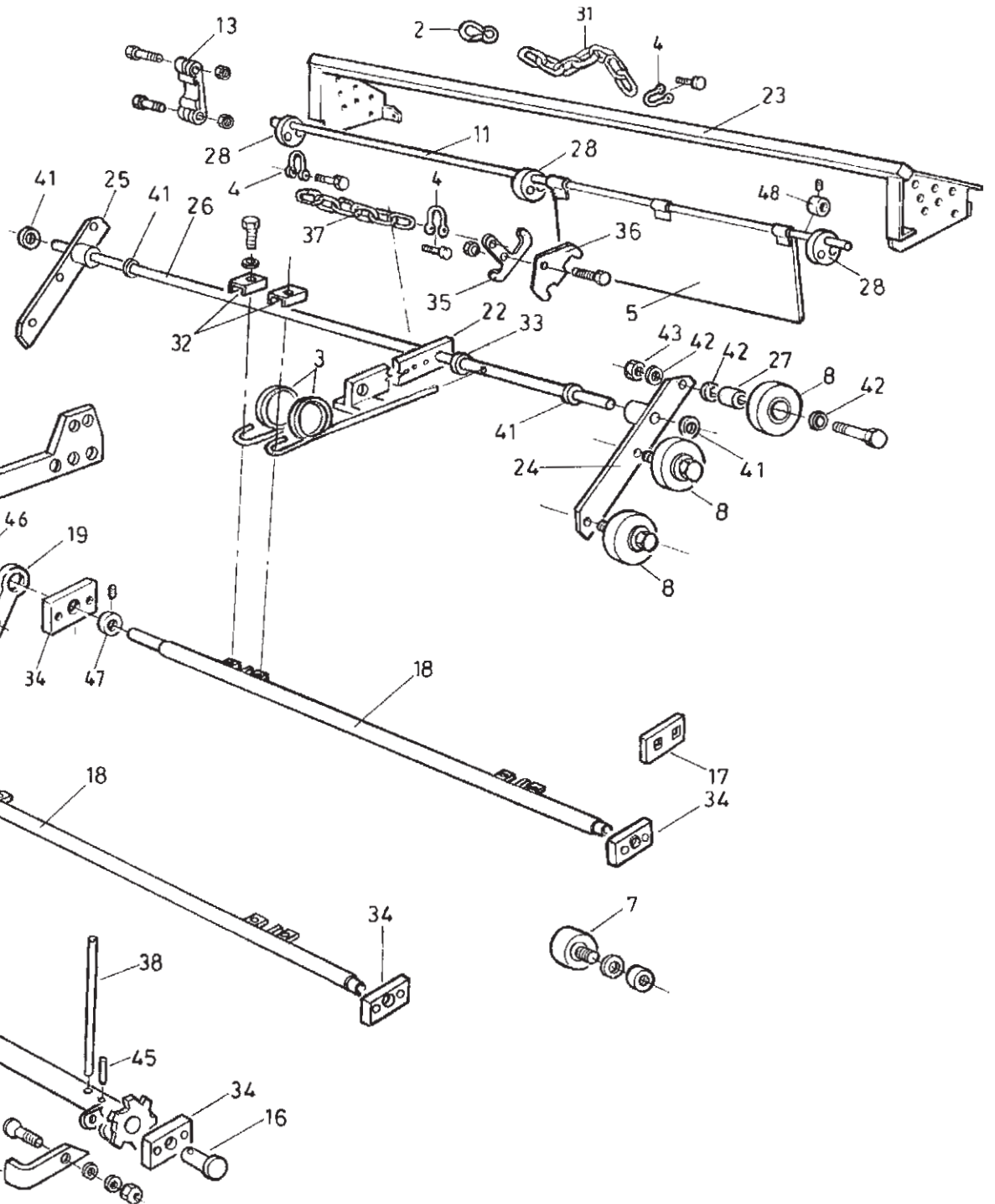
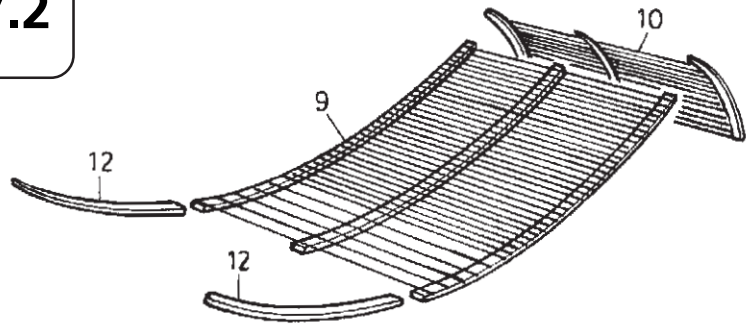
15.3



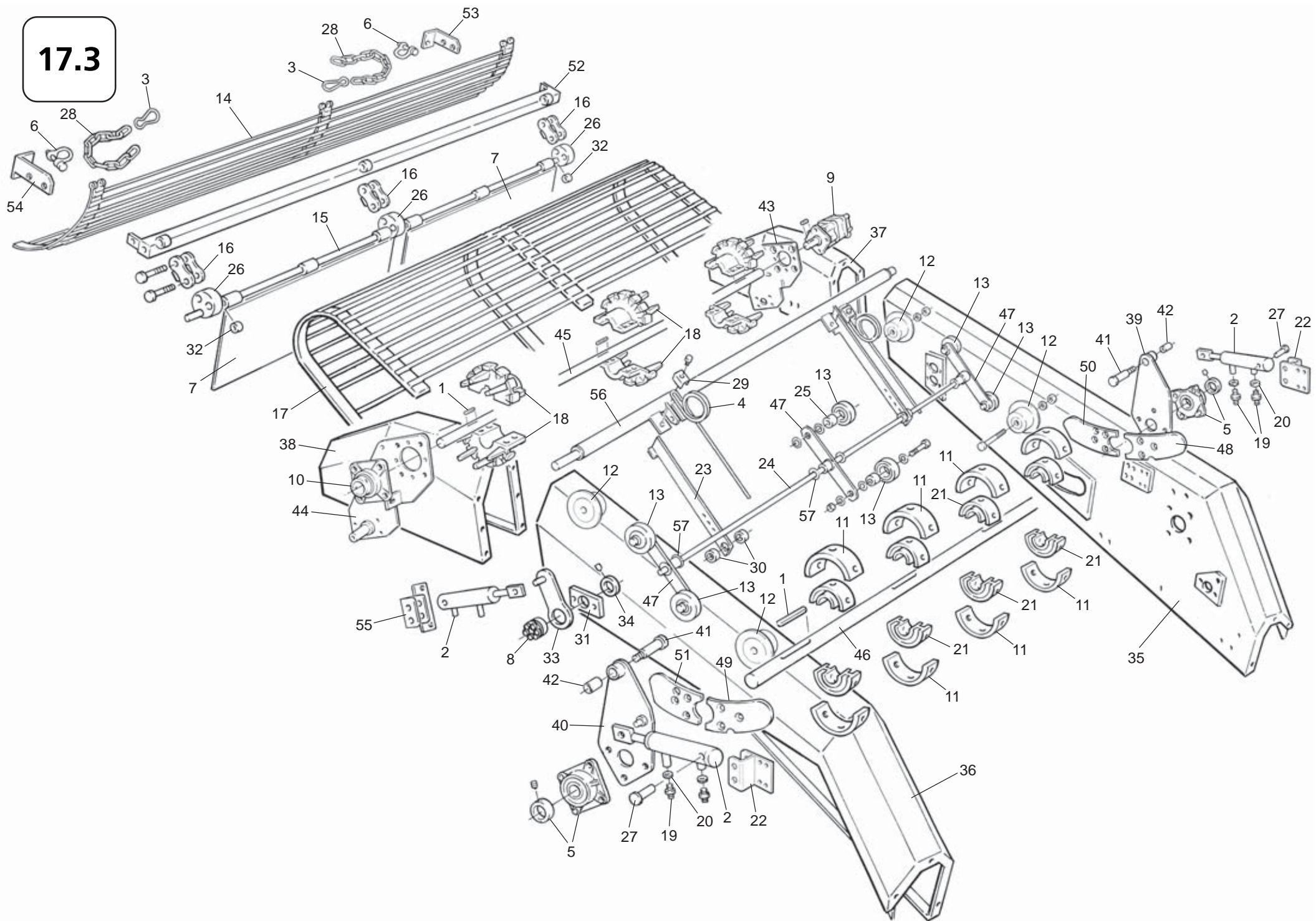
17.1



17.2



17.3

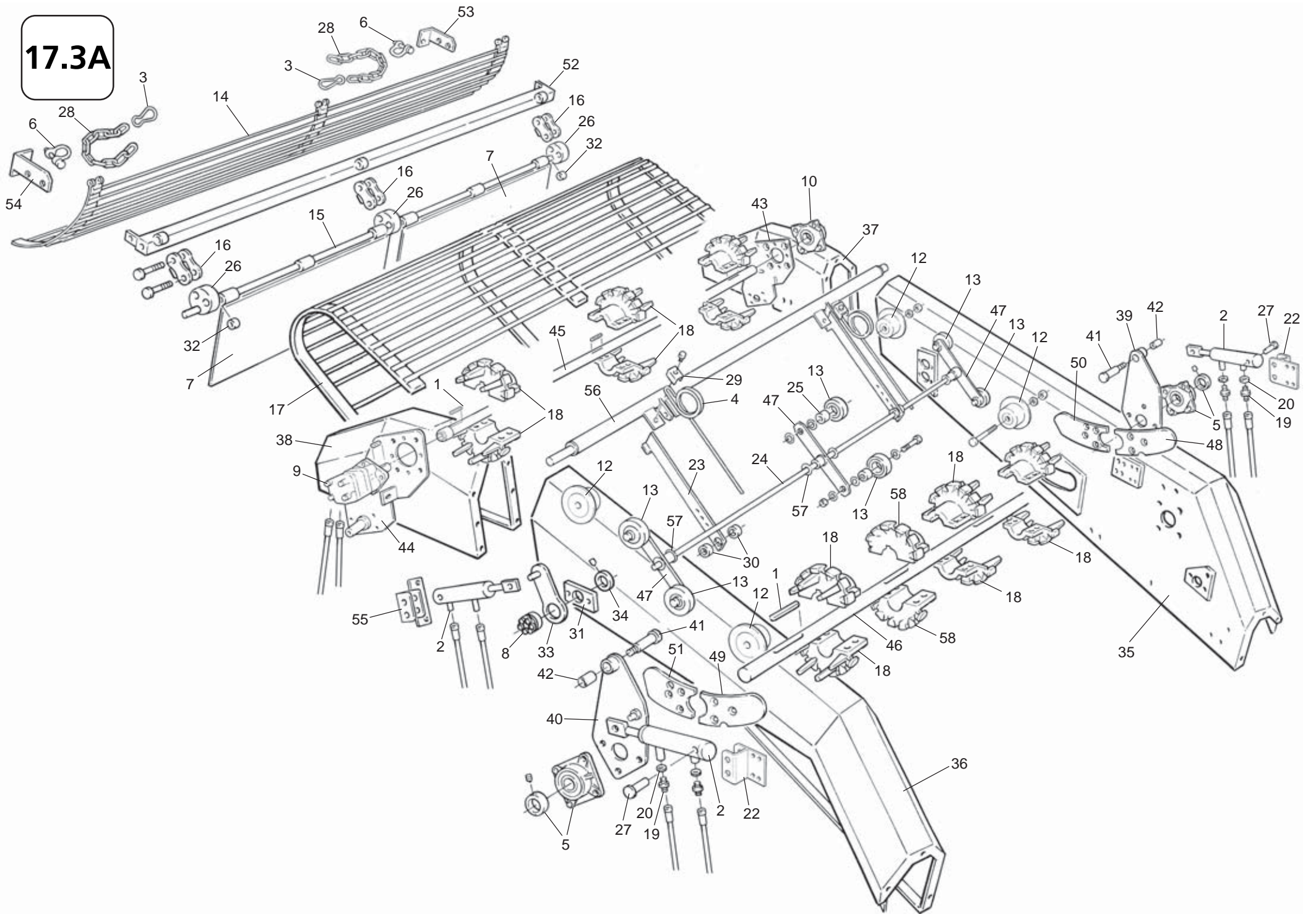


Assembly Group 17.3 - Driven Scrubber Web (Multiweb machines 2010)

Item	Description	Part No.	Qty.
1	Key (14 x 9 x 90 2 Round Ends)	UN-00042	7
2	Pressure Roller Ram	UN-00121	3
2A	Pressure Roller Ram Seal Kit	UN-00122	
3	Spring Hook	UN-00200	2
4	Pressurising Spring	UN-00218	2
5	4 Hole Bearing with locking collar	UN-00234	2
6	D-Shackle	UN-00588	2
7	Rubber Curtain (Narrow Machines)	UN-00594	2
7	Rubber Curtain (Wide Machines)	UN-00596	2
8	Tollok Bush	UN-00890	1
9	Hydraulic Motor	UN-01038	1
10	4 Hole Bearing with grub screws	UN-01919	1
11	Drive Shoe	UN-02974	8
12	Flanged Rubber Roller	UN-03030	6
13	Plain Rubber Covered Roller	UN-03037	6
14	43mm 3 Belt Web (Narrow Machines)	UN-03202	1
14	43mm 3 Belt Web (Wide Machines)	UN-03203	1
15	Web Rod (Narrow Machines)	UN-03594	1
15	Web Rod (Wide Machines)	UN-03595	1
16	50mm Joining Clip	UN-03627	3
17	Driven Scrubber Web (Narrow Machines)	UN-04189	1
17	Driven Scrubber Web (Wide Machines)	UN-04190	1
18	45mm Web Sprocket with Fingers	UN-03025	3
19	¼" BSP M x ¼" BSP M Adapter	UN-05000	6
20	¼" BSP Dowty Washer	UN-05100	6
21	Drive Shoe Hub	UN-08125	4
22	Ram Bracket	UN-10408	2
23	Stop Arm	UN-10411	2
24	Link Shaft (Narrow Machines)	UN-10720	1
24	Link Shaft (Wide Machines)	UN-10721	1
25	Bearing Centre	UN-10722	6
26	Tri-hole Boss	UN-10723	3
27	Ram Pin	UN-10724	3
28	Support Chain	UN-10726	2

Item	Description	Part No.	Qty.
29	Spring Clamp	UN-10727	2
30	Locking Collar	UN-10728	4
31	Pivot Block	UN-10729	2
32	Fixing Collar	UN-10733	4
33	Adjuster Lever	UN-11503	1
34	Locking Collar	UN-11535	1
35	Middle Guard (Left Hand)	UN-12712	1
36	Middle Guard (Right Hand)	UN-12720	1
37	Rear Guard (Left Hand)	UN-12723	1
38	Rear Guard (Right Hand)	UN-12727	1
39	Front Mount (Left Hand)	UN-12730	1
40	Front Mount (Right Hand)	UN-12735	1
41	Pivot Pin	UN-12737	2
42	Nylon Bush	UN-12738	2
43	Rear Mount (Left Hand)	UN-12740	1
44	Rear Mount (Right Hand)	UN-12744	1
45	Driven Shaft (Narrow Machines)	UN-12754	1
45	Driven Shaft (Wide Machines)	UN-12753	1
46	Idler Shaft (Narrow Machines)	UN-12755	1
46	Idler Shaft (Wide Machines)	UN-12756	1
47	Pressure Pad	UN-12757	3
48	Front Wear Plate (Left Hand)	UN-12872	1
49	Front Wear Plate (Right Hand)	UN-12873	1
50	Rear Wear Plate (Left Hand)	UN-12874	1
51	Rear Wear Plate (Right Hand)	UN-12875	1
52	Anchor Rail (Narrow Machines)	UN-13068	1
52	Anchor Rail (Wide Machines)	UN-13125	1
53	Chain Fixing Bracket (Left Hand)	UN-13074	1
54	Chain Fixing Bracket (Right Hand)	UN-13075	1
55	Ram Mount Bracket	UN-13181	1
56	Mount Bar (Narrow Machines)	UN-13185	1
56	Mount Bar (Wide Machines)	UN-13186	1
57	Plain Washer M25		6

17.3A

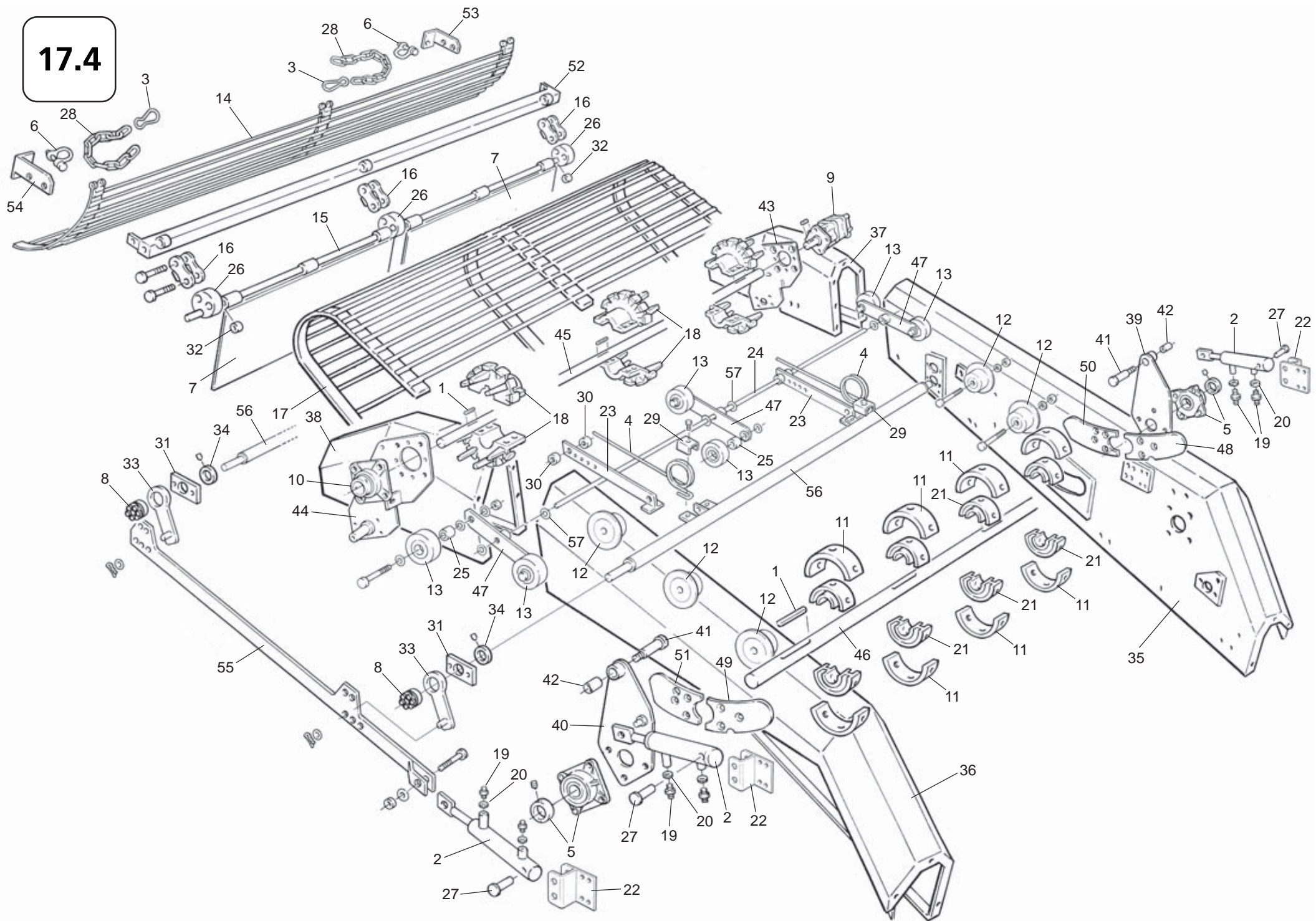


Assembly Group 17.3A - Driven Scrubber Web (Multiweb machines 2011 onwards)

Item	Description	Part No.	Qty.
1	Key (14 x 9 x 90 2 Round Ends)	UN-00042	7
2	Pressure Roller Ram	UN-00121	3
2A	Pressure Roller Ram Seal Kit	UN-00122	
3	Spring Hook	UN-00200	2
4	Pressurising Spring	UN-00218	2
5	4 Hole Bearing with locking collar	UN-00234	2
6	D-Shackle	UN-00588	2
7	Rubber Curtain (Narrow Machines)	UN-13411	2
7	Rubber Curtain (Wide Machines)	UN-13462	2
8	Tollok Bush	UN-00890	1
9	Hydraulic Motor	UN-01038	1
10	4 Hole Bearing with grub screws	UN-01919	1
12	Flanged Rubber Roller	UN-03030	6
13	Plain Rubber Covered Roller	UN-03037	6
14	43mm 3 Belt Web (Narrow Machines)	UN-03202	1
14	43mm 3 Belt Web (Wide Machines)	UN-03203	1
15	Web Rod (Narrow Machines)	UN-03594	1
15	Web Rod (Wide Machines)	UN-03595	1
16	50mm Joining Clip	UN-03627	3
17	Driven Scrubber Web (Narrow Machines)	UN-04189	1
17	Driven Scrubber Web (Wide Machines)	UN-04190	1
18	45mm Web Sprocket with Fingers	UN-03025	6
19	¼" BSP M x ¼" BSP M Adapter	UN-05000	6
20	¼" BSP Dowty Washer	UN-05100	6
22	Ram Bracket	UN-10408	2
23	Stop Arm	UN-10411	2
24	Link Shaft (Narrow Machines)	UN-10720	1
24	Link Shaft (Wide Machines)	UN-10721	1
25	Bearing Centre	UN-10722	6
26	Tri-hole Boss	UN-10723	3
27	Ram Pin	UN-10724	3
28	Support Chain	UN-10726	2
29	Spring Clamp	UN-10727	2
30	Locking Collar	UN-10728	4

Item	Description	Part No.	Qty.
31	Pivot Block	UN-10729	2
32	Fixing Collar	UN-10733	4
33	Adjuster Lever	UN-11503	1
34	Locking Collar	UN-11535	1
35	Middle Guard (Left Hand)	UN-12712	1
36	Middle Guard (Right Hand)	UN-12720	1
37	Rear Guard (Left Hand)	UN-12723	1
38	Rear Guard (Right Hand)	UN-12727	1
39	Front Mount (Left Hand)	UN-12730	1
40	Front Mount (Right Hand)	UN-12735	1
41	Pivot Pin	UN-12737	2
42	Nylon Bush	UN-12738	2
43	Rear Mount (Left Hand)	UN-12740	1
44	Rear Mount (Right Hand)	UN-12744	1
45	Driven Shaft (Narrow Machines)	UN-13293	1
45	Driven Shaft (Wide Machines)	UN-13294	1
46	Idler Shaft (Narrow Machines)	UN-12755	1
46	Idler Shaft (Wide Machines)	UN-12756	1
47	Pressure Pad	UN-12757	3
48	Front Wear Plate (Left Hand)	UN-12872	1
49	Front Wear Plate (Right Hand)	UN-12873	1
50	Rear Wear Plate (Left Hand)	UN-12874	1
51	Rear Wear Plate (Right Hand)	UN-12875	1
52	Anchor Rail (Narrow Machines)	UN-13068	1
52	Anchor Rail (Wide Machines)	UN-13465	1
53	Chain Fixing Bracket (Left Hand)	UN-13074	1
54	Chain Fixing Bracket (Right Hand)	UN-13075	1
55	Ram Mount Bracket	UN-13181	1
56	Mount Bar (Narrow Machines)	UN-13185	1
56	Mount Bar (Wide Machines)	UN-13186	1
57	Plain Washer M25		6
58	Sprocket 45mm with Fingers	UN-03026	1

17.4

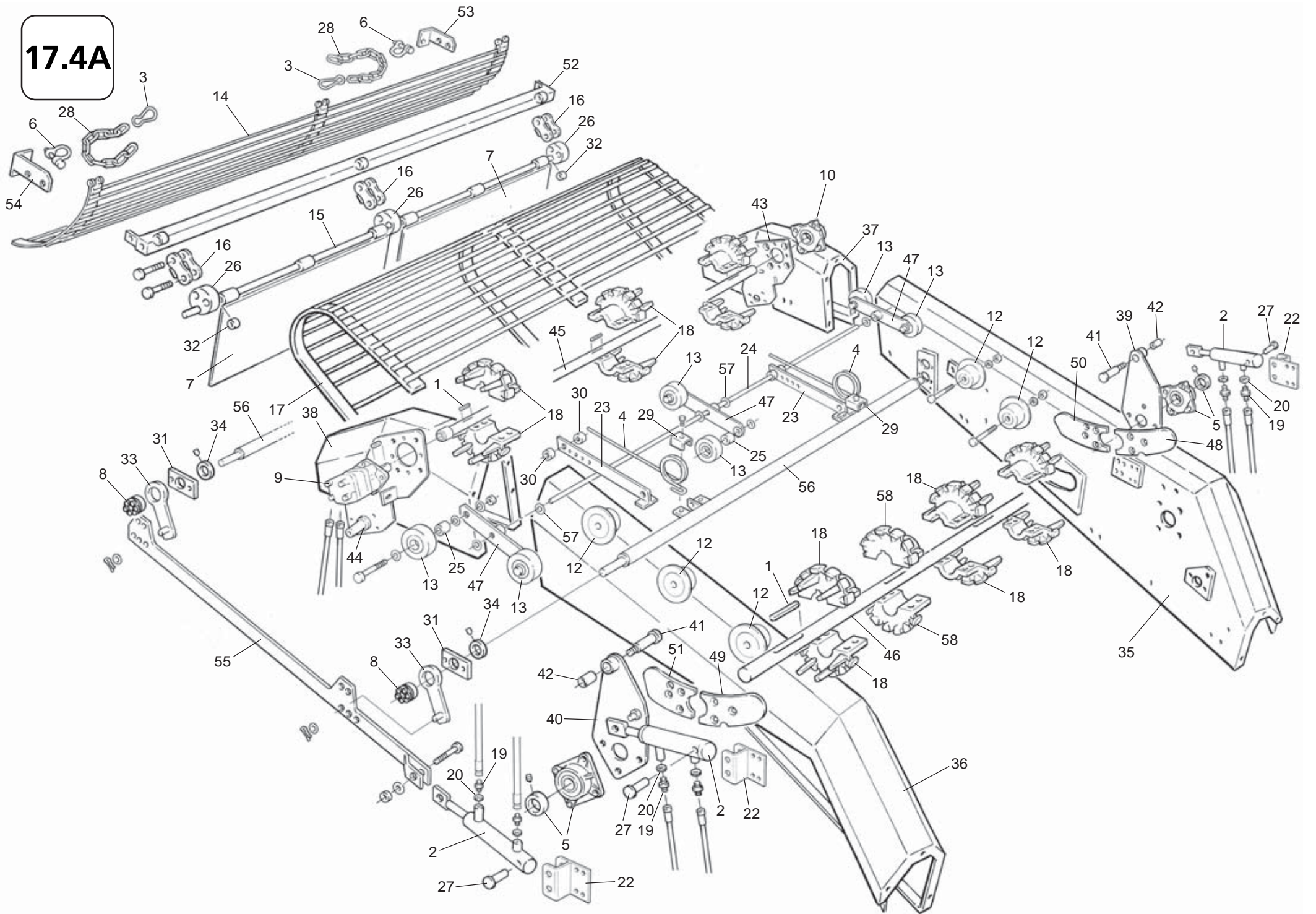


Assembly Group 17.4 - Driven Scrubber Web (Star machines 2010)

Item	Description	Part No.	Qty.
1	Key (14 x 9 x 90 2 Round Ends)	UN-00042	7
2	Pressure Roller Ram	UN-00121	3
2A	Pressure Roller Ram Seal Kit	UN-00122	
3	Spring Hook	UN-00200	2
4	Pressurising Spring	UN-00218	2
5	4 Hole Bearing with locking collar	UN-00234	2
6	D-Shackle	UN-00588	2
7	Rubber Curtain (Narrow Machines)	UN-00594	2
7	Rubber Curtain (Wide Machines)	UN-00596	2
8	Tollok Bush	UN-00890	2
9	Hydraulic Motor	UN-01038	1
10	4 Hole Bearing with grub screws	UN-01919	1
11	Drive Shoe	UN-02974	8
12	Flanged Rubber Roller	UN-03030	6
13	Plain Rubber Covered Roller	UN-03037	12
14	43mm 3 Belt Web (Narrow Machines)	UN-03202	1
14	43mm 3 Belt Web (Wide Machines)	UN-03203	1
15	Web Rod (Narrow Machines)	UN-03594	1
15	Web Rod (Wide Machines)	UN-03595	1
16	50mm Joining Clip	UN-03627	3
17	Driven Scrubber Web (Narrow Machines)	UN-04122	1
17	Driven Scrubber Web (Wide Machines)	UN-04123	1
18	45mm Web Sprocket with Fingers	UN-04124	3
19	¼" BSP M x ¼" BSP M Adapter	UN-05000	6
20	¼" BSP Dowty Washer	UN-05100	6
21	Drive Shoe Hub	UN-08125	4
22	Ram Bracket	UN-10408	3
23	Stop Arm	UN-10411	4
24	Link Shaft (Narrow Machines)	UN-10720	2
24	Link Shaft (Wide Machines)	UN-10721	2
25	Bearing Centre	UN-10722	12
26	Tri-hole Boss	UN-10723	3
27	Ram Pin	UN-10724	3
28	Support Chain	UN-10726	2

Item	Description	Part No.	Qty.
29	Spring Clamp	UN-10727	4
30	Locking Collar	UN-10728	8
31	Pivot Block	UN-10729	4
32	Fixing Collar	UN-10733	4
33	Adjuster Lever	UN-11503	2
34	Locking Collar	UN-11535	2
35	Middle Guard (Left Hand)	UN-12760	1
36	Middle Guard (Right Hand)	UN-12763	1
37	Rear Guard (Left Hand)	UN-12723	1
38	Rear Guard (Right Hand)	UN-12727	1
39	Front Mount (Left Hand)	UN-12730	1
40	Front Mount (Right Hand)	UN-12735	1
41	Pivot Pin	UN-12737	2
42	Nylon Bush	UN-12738	2
43	Rear Mount (Left Hand)	UN-12740	1
44	Rear Mount (Right Hand)	UN-12744	1
45	Driven Shaft (Narrow Machines)	UN-12754	1
45	Driven Shaft (Wide Machines)	UN-12753	1
46	Idler Shaft (Narrow Machines)	UN-12755	1
46	Idler Shaft (Wide Machines)	UN-12756	1
47	Pressure Pad	UN-12757	6
48	Front Wear Plate (Left Hand)	UN-12872	1
49	Front Wear Plate (Right Hand)	UN-12873	1
50	Rear Wear Plate (Left Hand)	UN-12874	1
51	Rear Wear Plate (Right Hand)	UN-12875	1
52	Anchor Rail (Narrow Machines)	UN-13068	1
52	Anchor Rail (Wide Machines)	UN-13125	1
53	Chain Fixing Bracket (Left Hand)	UN-13074	1
54	Chain Fixing Bracket (Right Hand)	UN-13075	1
55	Link Bar	UN-10405	1
56	Mount Bar (Narrow Machines)	UN-11500	2
56	Mount Bar (Wide Machines)	UN-11502	2
57	Plain Washer M25		12

17.4A

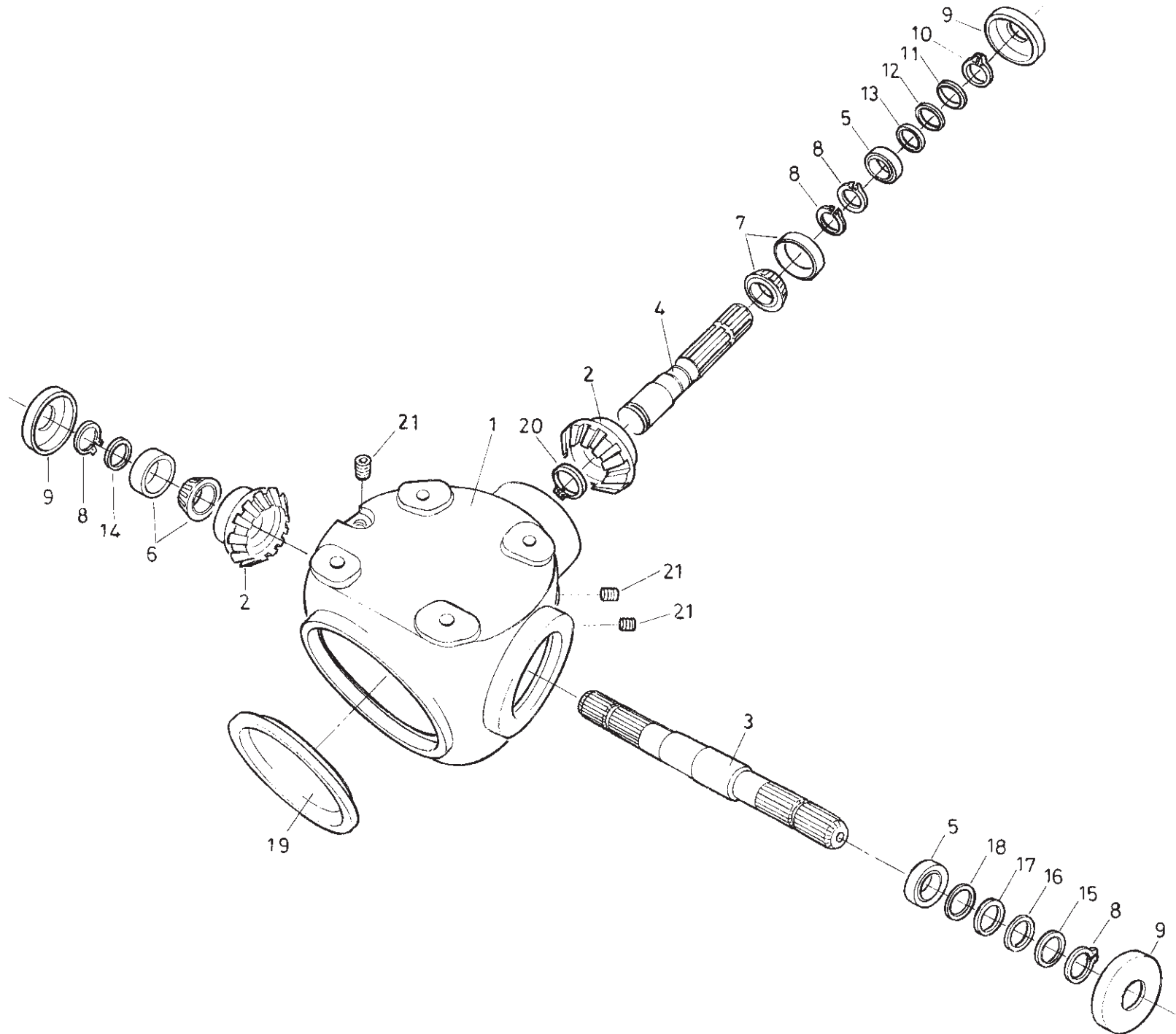


Assembly Group 17.4A - Driven Scrubber Web (Star machines 2011 onwards)

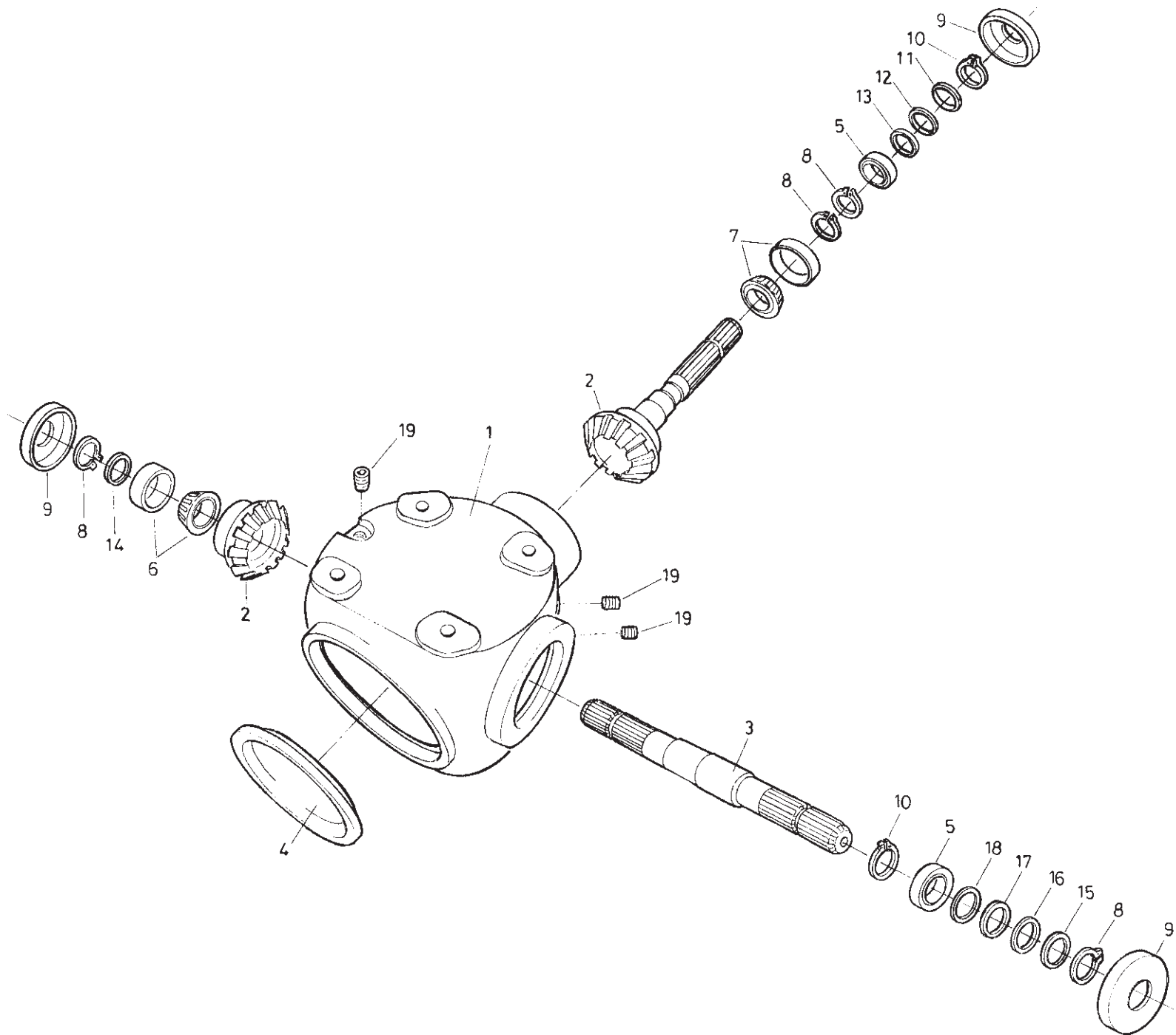
Item	Description	Part No.	Qty.
1	Key (14 x 9 x 90 2 Round Ends)	UN-00042	7
2	Pressure Roller Ram	UN-00121	3
2A	Pressure Roller Ram Seal Kit	UN-00122	
3	Spring Hook	UN-00200	2
4	Pressurising Spring	UN-00218	2
5	4 Hole Bearing with locking collar	UN-00234	2
6	D-Shackle	UN-00588	2
7	Rubber Curtain (Narrow Machines)	UN-13411	2
7	Rubber Curtain (Wide Machines)	UN-13462	2
8	Tollok Bush	UN-00890	2
9	Hydraulic Motor	UN-01038	1
10	4 Hole Bearing with grub screws	UN-01919	1
12	Flanged Rubber Roller	UN-03030	6
13	Plain Rubber Covered Roller	UN-03037	12
14	43mm 3 Belt Web (Narrow Machines)	UN-03202	1
14	43mm 3 Belt Web (Wide Machines)	UN-03203	1
15	Web Rod (Narrow Machines)	UN-03594	1
15	Web Rod (Wide Machines)	UN-03595	1
16	50mm Joining Clip	UN-03627	3
17	Driven Scrubber Web (Narrow Machines)	UN-04122	1
17	Driven Scrubber Web (Wide Machines)	UN-04123	1
18	45mm Web Sprocket with Fingers	UN-03025	6
19	¼" BSP M x ¼" BSP M Adapter	UN-05000	6
20	¼" BSP Dowty Washer	UN-05100	6
22	Ram Bracket	UN-10408	3
23	Stop Arm	UN-10411	4
24	Link Shaft (Narrow Machines)	UN-10720	2
24	Link Shaft (Wide Machines)	UN-10721	2
25	Bearing Centre	UN-10722	12
26	Tri-hole Boss	UN-10723	3
27	Ram Pin	UN-10724	3
28	Support Chain	UN-10726	2
29	Spring Clamp	UN-10727	4
30	Locking Collar	UN-10728	8

Item	Description	Part No.	Qty.
31	Pivot Block	UN-10729	4
32	Fixing Collar	UN-10733	4
33	Adjuster Lever	UN-11503	2
34	Locking Collar	UN-11535	2
35	Middle Guard (Left Hand)	UN-12760	1
36	Middle Guard (Right Hand)	UN-12763	1
37	Rear Guard (Left Hand)	UN-12723	1
38	Rear Guard (Right Hand)	UN-12727	1
39	Front Mount (Left Hand)	UN-12730	1
40	Front Mount (Right Hand)	UN-12735	1
41	Pivot Pin	UN-12737	2
42	Nylon Bush	UN-12738	2
43	Rear Mount (Left Hand)	UN-12740	1
44	Rear Mount (Right Hand)	UN-12744	1
45	Driven Shaft (Narrow Machines)	UN-13293	1
45	Driven Shaft (Wide Machines)	UN-13294	1
46	Idler Shaft (Narrow Machines)	UN-12755	1
46	Idler Shaft (Wide Machines)	UN-12756	1
47	Pressure Pad	UN-12757	6
48	Front Wear Plate (Left Hand)	UN-12872	1
49	Front Wear Plate (Right Hand)	UN-12873	1
50	Rear Wear Plate (Left Hand)	UN-12874	1
51	Rear Wear Plate (Right Hand)	UN-12875	1
52	Anchor Rail (Narrow Machines)	UN-13068	1
52	Anchor Rail (Wide Machines)	UN-13125	1
53	Chain Fixing Bracket (Left Hand)	UN-13074	1
54	Chain Fixing Bracket (Right Hand)	UN-13075	1
55	Link Bar	UN-10405	1
56	Mount Bar (Narrow Machines)	UN-11500	2
56	Mount Bar (Wide Machines)	UN-11502	2
57	Plain Washer M25		12
58	Sprocket 45mm without Fingers	UN-03026	1

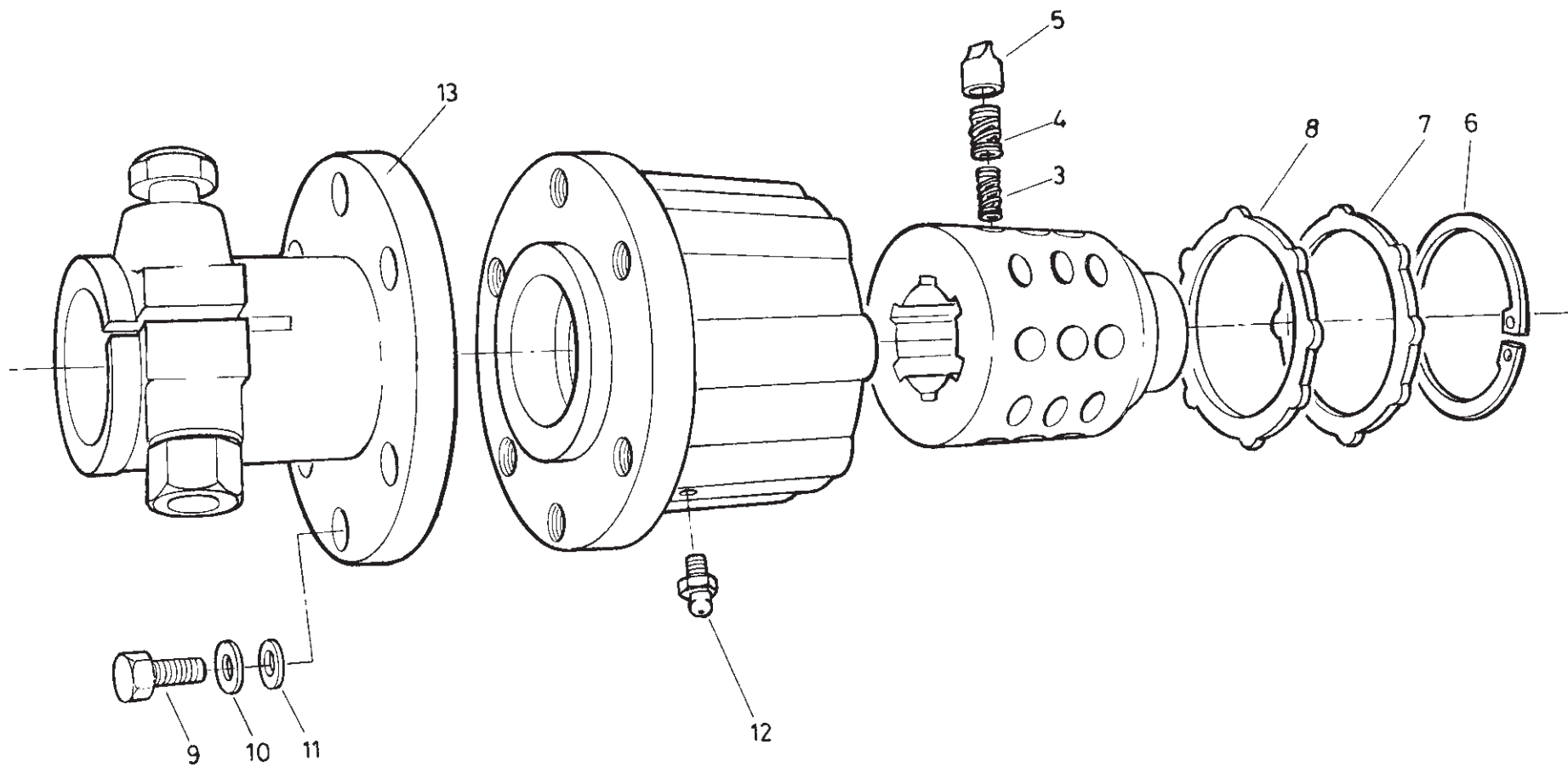
18.1



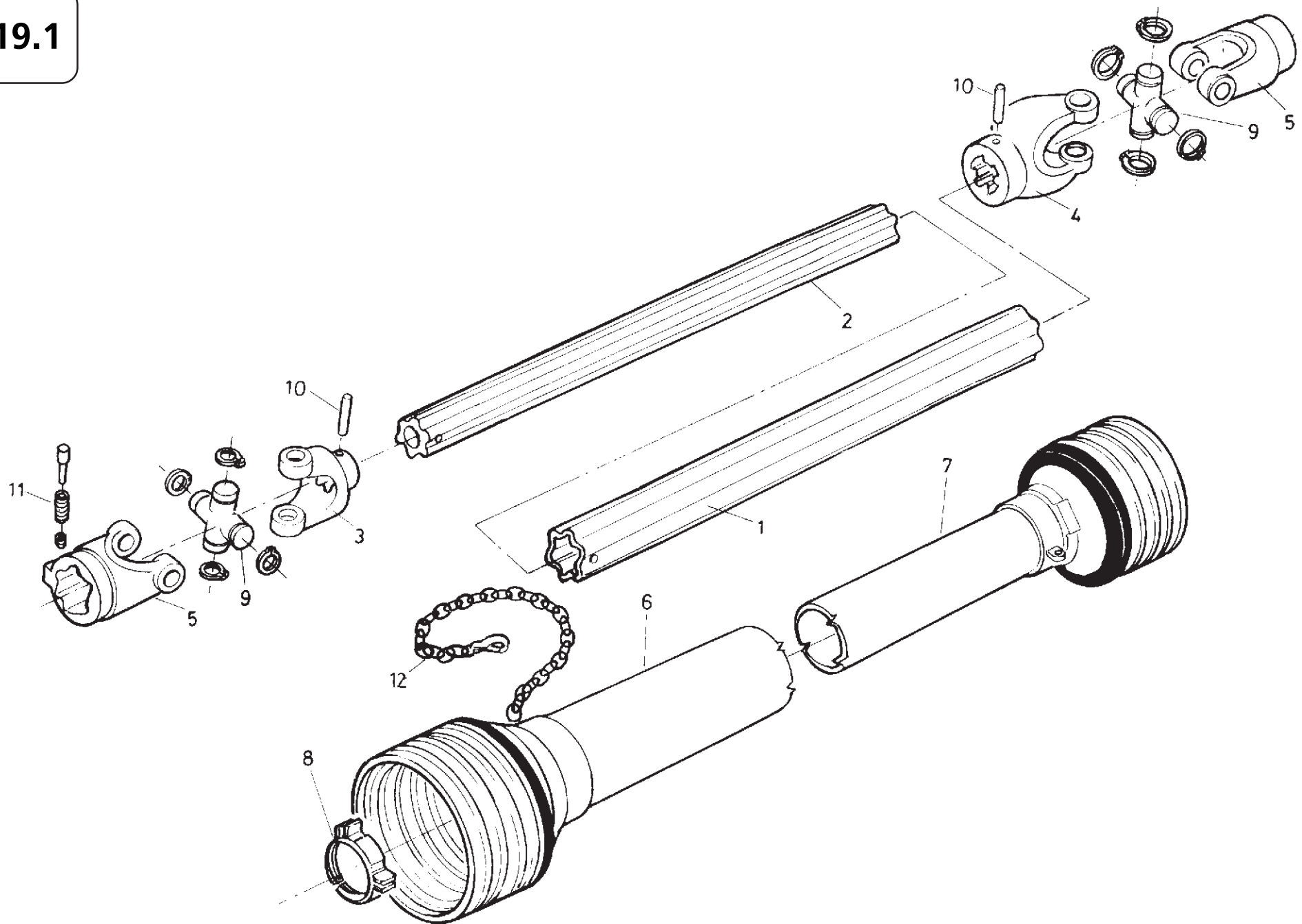
18.2



18.3



19.1



Assembly Group 19.1 - P.T.O. Shaft

Item	Description	Every Machine	Multiweb Machines	Star Machines
		Separator to Tractor	Between Gearboxes	Between Gearboxes
	Shaft & Guard Assembly (Complete)	UN-00500	UN-00501	UN-00502
1	Outer Tube	UN-00567	UN-00572 including Yoke	UN-00575 including Yoke
2	Inner Tube	UN-00566	UN-00556 including Yoke	UN-00556 including Yoke
3	Inner Tube Yoke	UN-00518		
4	Outer Tube Yoke	UN-00523		
5	End Yoke	UN-00516	UN-00554	UN-00554
6	Outer Half Guard	UN-00570	UN-00573	UN-00573
7	Inner Half Guard	UN-00569	UN-00574	UN-00576
8	Retaining Ring	UN-00560	UN-00560	UN-00560
9	Unit Package c/w Circlips	UN-00517	UN-00555	UN-00555
10	Tension Pin	UN-00565		
11	Quick Release Pin Kit	UN-00561	UN-00544	UN-00544
12	Chain for Guard	UN-00545	UN-00545	UN-00545

Freeflow
18 *special*

RGS4215-S

7

RGS4215-W

6

ScanStone

P O T A T O S Y S T E M S

3

RGS4217-S

11

RGS4217-W

10

ScanStone

P O T A T O S Y S T E M S

4

RGS4215-SD

9

RGS4215-WD

8

ScanStone



5

RGS4217-SD

13

RGS4217-WD

12



2



1

RGS5215-W

16

RGS5217-W

17

RGS4213/5-SD

14

RGS4213/5-WD

15

20.1A

ScanStone

••• SOIL PREPARATION •••

4

4 WEBBER



5

5 WEBBER



6

ScanStone

••• SOIL PREPARATION •••

3

4 WEBBER



9

5 WEBBER



10

ScanStone

13

5 WEBBER



7

6 WEBBER



8



2



1

5 WEBBER



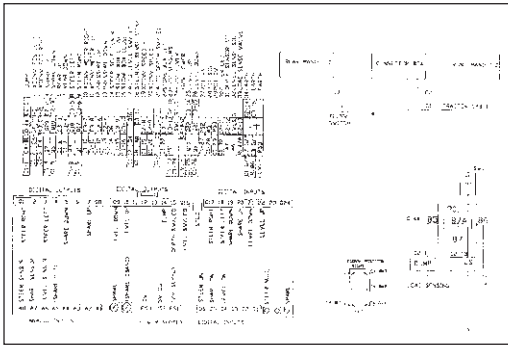
11

6 WEBBER

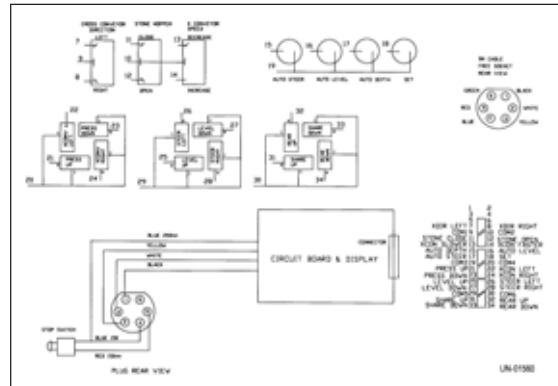


12

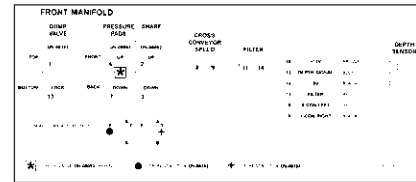
20.2



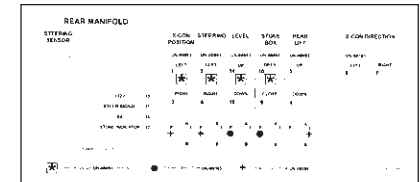
2



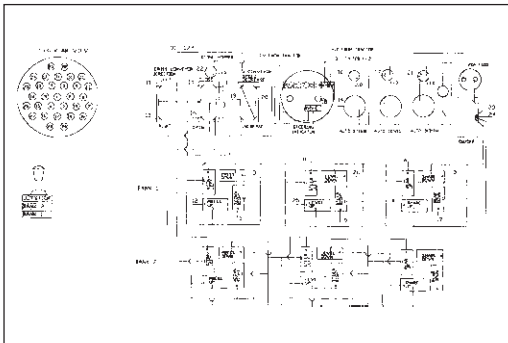
8



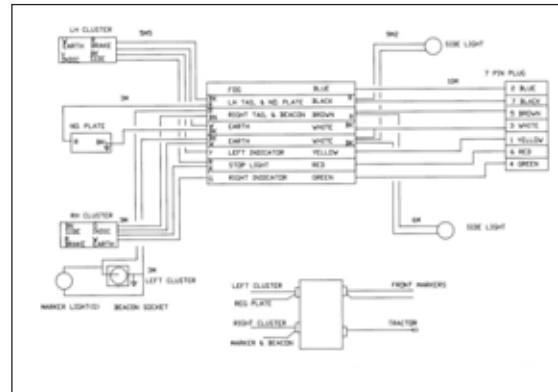
3



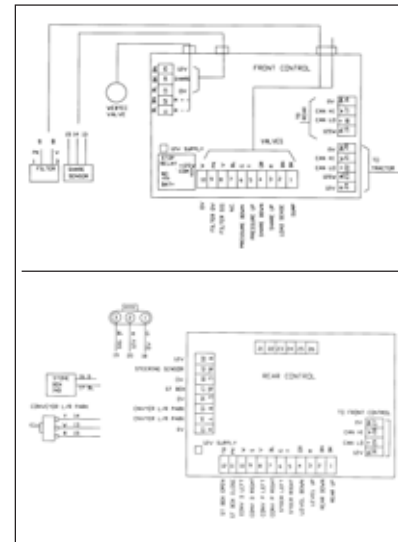
4



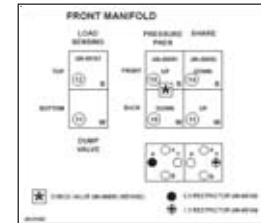
1



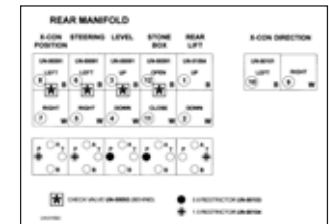
11



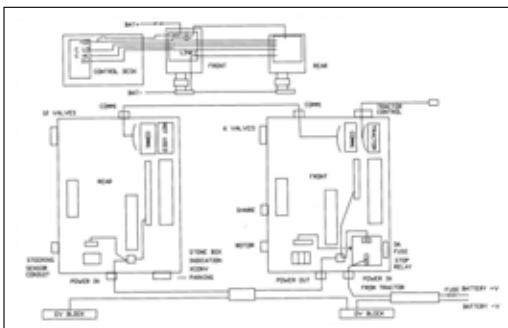
5



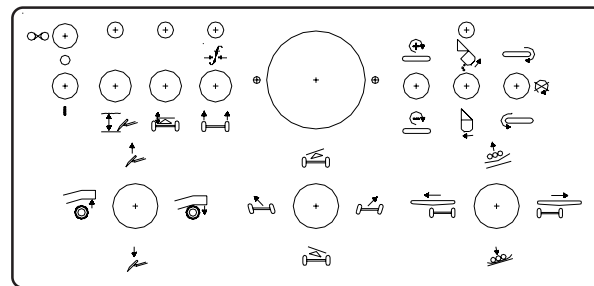
6



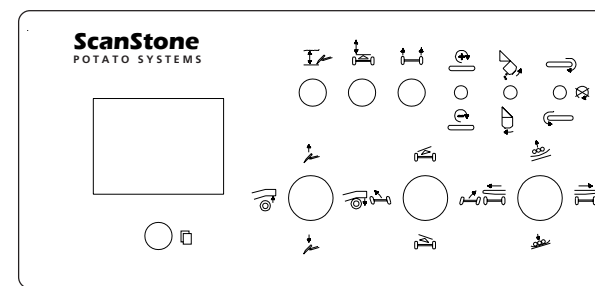
7



10



12



9



13

Parts Index

Item	Assembly	Item	Assembly	Item	Assembly	Item	Assembly
UN-00001	11.1 11.1A 11.2 11.4	UN-00037	15.2 15.2A	UN-00097	13.3 13.3D 13.4 13.4D 13.6 13.7	UN-00116	13.1 13.2
UN-00002	11.1 11.1A 11.2 11.4	UN-00040	1.2	UN-00098	13.3 13.3D 13.4 13.4D 13.6 13.7	UN-00117	9.1 9.2 13.1 13.2
UN-00003	11.1 11.1A 11.4	UN-00041	5.1 5.2 5.3 5.4 5.5 5.6 5.7	UN-00099	13.6 13.7	UN-00119	1.7D 1.8D 1.9D 1.12 13.8 13.13 15.3
UN-00004	11.1 11.4	UN-00042	5.1 5.2 5.3 5.4 5.5 5.6 5.7 10.5 17.3 17.3A 17.4 17.4A	UN-00101	13.3 13.3D 13.4 13.4D 13.6 13.7	UN-00121	13.1 13.1D 13.2 13.2D 13.15 13.16 17.1 17.2 17.3 17.3A 17.4 17.4A
UN-00005	15.2 15.2A	UN-00043	12.1	UN-00102	13.6 13.7	UN-00122	13.1 13.1D 13.2 13.2D 13.8 13.15 13.16 17.1 17.2 17.3 17.3A 17.4 17.4A
UN-00006	11.1 11.1A 11.4	UN-00044	10.1 10.2	UN-00103	13.3 13.3D 13.4 13.4D 13.6 13.7	UN-00139	9.2 9.3 9.5 13.1 13.1D 13.2 13.2D
UN-00007	11.1 11.1A 11.4	UN-00047	5.1 5.2 5.3 5.4 5.5 5.6	UN-00104	13.3 13.3D 13.4 13.4D 13.6 13.7	UN-00140	9.2 9.3 9.5 13.1 13.1D 13.2 13.2D
UN-00009	11.2	UN-00057	15.1 15.1A 15.1B 15.1C	UN-00105	10.1 10.2 13.1 13.2	UN-00143	1.4D
UN-00010	11.2	UN-00058	2.1	UN-00106	13.1 13.1D 13.2 13.2D 13.3 13.3D 13.4 13.4D 13.13	UN-00168	15.2 15.2A
UN-00012	11.1 11.1A 11.2 11.3 11.4	UN-00060	10.1 10.2	UN-00107	13.1 13.1D 13.2 13.2D 13.3 13.4 13.13	UN-00180	20.2
UN-00013	11.1 11.1A 11.2 11.4	UN-00086	3.1 3.1A 3.2 3.2A 3.3 3.3A 3.4 3.4 3.4A 3.5 3.5A	UN-00108	13.1 13.1D 13.2 13.2D 13.3 13.4	UN-00181	20.2
UN-00014	11.1 11.1A 11.2 11.3 11.4	UN-00088	1.2	UN-00109	1.1 1.5D 13.1 13.1D 13.2 13.2D 13.13	UN-00183	20.2
UN-00015	11.1 11.1A 11.4	UN-00089	3.1 3.1A	UN-00110	1.1 1.5D 13.1 13.1D 13.2 13.2D	UN-00184	20.2
UN-00016	11.1 11.1A 11.4	UN-00090	13.3 13.3D 13.4 13.4D 13.6 13.7	UN-00111	10.1 13.1 13.1D 13.2 13.2D	UN-00199	10.1 10.2 10.5 15.2 15.2A 16.1
UN-00017	11.1 11.1A 11.2 11.4	UN-00091	13.3 13.3D 13.4 13.4D 13.6 13.7 13.13 13.15 13.16	UN-00112	10.1 13.1 13.1D 13.2 13.2D	UN-00200	17.1 17.2 17.3 17.3A 17.4 17.4A
UN-00018	11.1 11.1A 11.2 11.4	UN-00093	13.3 13.3D 13.4 13.4D 13.6 13.7 13.13 13.15 13.16	UN-00113	9.1 9.2 9.3 9.5 13.1 13.1D 13.2 13.2D	UN-00202	20.3
UN-00019	11.1 11.1A 11.2 11.4	UN-00095	13.1 13.1D 13.2 13.2D 13.3 13.3D 13.4 13.4D 13.13 13.15 13.16	UN-00114	1.7D 1.8D 1.9D 1.12 9.2 9.3 9.5 13.1 13.1D 13.2 13.2D 15.3	UN-00203	20.3
UN-00020	11.1 11.1A 11.2 11.4	UN-00096	13.1 13.1D 13.2 13.2D 13.6 13.7 13.8	UN-00115	9.1 13.1 13.2	UN-00205	20.3
UN-00021	11.1 11.1A 11.4					UN-00206	20.3
UN-00022	11.1 11.1A 11.4					UN-00207	20.3
UN-00023	11.2					UN-00208	20.3
UN-00024	11.2					UN-00209	20.3
UN-00025	11.2 11.3					UN-00210	20.3
UN-00029	15.2 15.2A						
UN-00031	15.2 15.2A						
UN-00032	15.2 15.2A						
UN-00033	15.2 15.2A						
UN-00035	3.2 3.2A 3.3 3.3A 3.4 3.4A 3.5 3.5A 3.6D 3.7D						
UN-00036	5.1 5.2 5.3 5.4 5.5 5.6 5.7 16.1						

Parts Index

Item	Assembly	Item	Assembly	Item	Assembly	Item	Assembly
UN-00211	20.3	UN-00247	1.1 1.7D 1.8D	UN-00295	18.1 18.2	UN-00511	18.3
UN-00212	20.3		1.9D 1.10 1.11	UN-00296	18.1 18.2	UN-00512	18.3
UN-00213	20.3	UN-00250	3.1 3.1A	UN-00297	18.1 18.2	UN-00513	18.3
UN-00214	20.3	UN-00251	1.2	UN-00298	18.1 18.2	UN-00514	18.3
UN-00215	20.3	UN-00252	3.1 3.1A 3.2 3.2A 3.3	UN-00423	10.1 10.2	UN-00516	19.1
UN-00216	10.1		3.3A 3.4 3.4A 3.5 3.5A	UN-00424	10.1 10.2	UN-00517	19.1
UN-00218	17.1 17.2 17.3	UN-00257	3.1 3.1A	UN-00425	20.3	UN-00518	19.1
	17.3A 17.4 17.4A	UN-00259	3.1 3.1A	UN-00428	9.1 9.2 9.3 9.5	UN-00523	19.1
UN-00222	7.1 7.2 7.4D 7.5D	UN-00260	3.4 3.4A 3.5 3.5A 3.6D	UN-00429	9.1 9.2 9.3 9.5	UN-00544	19.1
UN-00223	1.1 1.4D 1.7D 1.8D	UN-00261	3.2 3.2A 3.3 3.3A	UN-00441	15.2A	UN-00545	19.1
	1.9D 1.10 1.11 11.1	UN-00262	3.2 3.2A 3.4 3.4A	UN-00444	15.2 15.2A	UN-00554	19.1
	11.1A 11.2 11.4	UN-00263	3.2 3.2A 3.4 3.4A	UN-00450	11.1 11.1A 11.2	UN-00555	19.1
	UN-00225	10.3 10.4 15.3	UN-00264		3.3 3.3A 3.5 3.5A	11.3 11.4	UN-00556
UN-00226	7.1 7.2 7.4D 7.5D	UN-00265	3.3 3.3A 3.5 3.5A	UN-00451	11.1 11.1A 11.2	UN-00560	19.1
UN-00227	1.1 1.4D 2.1	UN-00271	2.1 18.2		11.4 15.2 15.2A	UN-00561	19.1
UN-00228	7.1 7.2 7.4D 7.5D	UN-00272	8.1 18.1	UN-00452	15.2	UN-00565	19.1
UN-00229	1.1	UN-00275	18.1 18.2	UN-00453	11.2	UN-00566	19.1
UN-00230	1.1	UN-00276	18.1	UN-00454	11.1 11.1A 11.2	UN-00567	19.1
UN-00231	14.1 14.1A 14.1B	UN-00277	18.1 18.2		11.4 15.2 15.2A	UN-00569	19.1
UN-00232	14.1	UN-00278	18.1	UN-00455	11.1 11.1A 11.2 11.4	UN-00570	19.1
UN-00233	9.1 9.2	UN-00279	18.1 18.2	UN-00457	14.1A 14.1B 15.3	UN-00572	19.1
UN-00234	1.1 1.4D 1.7D 1.8D	UN-00280	18.1 18.2	UN-00483	3.1	UN-00573	19.1
	1.9D 1.10 1.11 1.12	UN-00281	18.1 18.2	UN-00489	9.3 9.5	UN-00574	19.1
	8.1 11.1 11.1A 11.2	UN-00282	18.1 18.2	UN-00490	15.2 15.2A	UN-00575	19.1
	11.4 17.3 17.3A	UN-00283	18.1 18.2	UN-00494	15.2 15.2A	UN-00576	19.1
	17.4 17.4A	UN-00284	18.1 18.2	UN-00495	15.2 15.2A	UN-00577	7.1 7.2 7.4D 7.5D
	UN-00236	16.1	UN-00286	18.1 18.2	UN-00500	19.1	UN-00578
UN-00237	11.3	UN-00288	18.1	UN-00501	19.1	UN-00579	2.1 8.1
UN-00241	6.3	UN-00289	18.2	UN-00502	19.1	UN-00580	1.1
UN-00242	9.4	UN-00290	18.1 18.2	UN-00505	2.1 18.3	UN-00581	14.2
UN-00243	9.4	UN-00291	18.1 18.2	UN-00506	8.1 18.3	UN-00582	14.2
UN-00245	15.2 15.2A	UN-00292	18.1 18.2	UN-00508	18.3	UN-00583	10.1
UN-00246	11.2 11.3 15.2 15.2A	UN-00293	18.1 18.2	UN-00509	15.2A 18.3	UN-00584	1.4D 1.7D 1.8D 1.9D
		UN-00294	18.1 18.2	UN-00510	15.2A 18.3		1.10 1.11 2.1 8.1

Parts Index

Item	Assembly	Item	Assembly	Item	Assembly	Item	Assembly
UN-00585	1.4D 1.7D 1.8D 1.9D 1.10 1.11 2.1	UN-00781	13.1 13.1D 13.2 13.2D	UN-00809	13.1 13.2 13.3 13.4	UN-00864	13.2 13.2D 13.4 13.4D 13.7
UN-00586	9.1 9.2 9.3 9.5	UN-00782	13.1 13.1D 13.2 13.2D	UN-00810	13.1 13.2	UN-00865	13.2 13.2D 13.4 13.4D 13.7
UN-00587	10.1 10.2 10.5	UN-00783	13.1 13.2D 13.3 13.4 13.4D	UN-00811	13.1 13.2	UN-00866	13.2 13.2D 13.4 13.4D 13.7
UN-00588	17.1 17.2 17.3 17.3A 17.4 17.4A	UN-00784	13.1 13.1D 13.2 13.2D 13.6 13.7	UN-00812	13.1	UN-00872	9.4
UN-00589	9.1 9.2 9.3 9.5	UN-00785	13.1 13.1D 13.2 13.2D 13.6 13.7	UN-00813	13.1 13.2 13.3 13.4	UN-00873	9.4
UN-00592	9.1 9.2 9.3 9.5	UN-00786	13.1 13.1D 13.2 13.2D 13.6 13.7	UN-00814	13.1 13.1D 13.2 13.2D 13.3 13.3D 13.4 13.4D	UN-00874	1.4D
UN-00594	17.1 17.2 17.3 17.4	UN-00787	13.1 13.1D 13.2 13.2D 13.6 13.7	UN-00815	13.1D 13.2D 13.3 13.3D 13.4 13.4D	UN-00876	1.4D
UN-00596	17.1 17.2 17.3 17.4	UN-00788	13.1 13.1D 13.2 13.2D 13.6 13.7	UN-00816	13.1 13.2 13.6 13.7	UN-00881	11.1A
UN-00598	1.1 1.5D 14.1 14.1A	UN-00789	13.1 13.1D 13.2 13.2D 13.6 13.7	UN-00817	13.1 13.2 13.6 13.7	UN-00885	11.2
UN-00599	6.3	UN-00790	13.1 13.1D 13.2 13.2D	UN-00818	13.1 13.2 13.6 13.7	UN-00886	10.1 10.2 13.1 13.1D 13.2 13.2D
UN-00600	12.1	UN-00791	13.1D 13.2 13.3D 13.15 13.16	UN-00819	13.1 13.2 13.6 13.7	UN-00890	17.2 17.3 17.3A 17.4 17.4A
UN-00640	7.1 7.2 7.4D 7.5D	UN-00793	16.1	UN-00820	13.1 13.2	UN-00892	3.2 3.2A 3.3 3.3A 3.4 3.4A 3.5 3.5A
UN-00641	14.1 14.1A 14.1B 15.3	UN-00794	16.1	UN-00822	13.8 15.3	UN-00893	20.3
UN-00660	1.4D	UN-00795	8.1	UN-00823	13.6 13.7 13.8	UN-00894	13.10
UN-00685	14.2	UN-00798	10.5 11.2 11.3	UN-00824	13.8 13.14 15.3	UN-00895	9.1 9.2 9.3 9.5
UN-00687	14.2	UN-00799	13.1 13.1D 13.2 13.2D	UN-00825	13.2 13.2D 13.4 13.4D	UN-00896	9.1 9.2 9.3 9.5
UN-00689	14.2	UN-00800	13.1 13.1D 13.2 13.2D	UN-00827	13.2 13.2D 13.7	UN-00900	14.2
UN-00697	13.1D 13.2D 13.3 13.4	UN-00801	13.1 13.1D 13.3 13.3D 13.6	UN-00829	13.2 13.2D 13.7	UN-00901	14.2
UN-00700	9.4	UN-00802	13.1 13.1D 13.3 13.3D 13.6	UN-00830	12.1	UN-00902	14.2 14.3
UN-00701	9.4	UN-00803	13.1 13.1D 13.3 13.3D	UN-00831	12.1	UN-00903	14.1 14.1A 14.1B 14.2 15.3
UN-00702	9.4	UN-00805	13.1 13.1D 13.3 13.3D	UN-00832	13.10	UN-00904	14.2
UN-00705	9.1 9.2 9.3 9.4 9.5	UN-00806	13.1 13.3	UN-00833	13.10	UN-00905	14.2
UN-00706	9.4	UN-00807	13.1 13.2 13.3 13.4	UN-00834	13.10	UN-00908	14.2
UN-00714	3.6D 3.7D	UN-00808	13.1 13.1D 13.6	UN-00835	13.10	UN-00909	14.2
UN-00715	9.4			UN-00836	13.10	UN-00910	14.2
UN-00716	9.4			UN-00837	13.10	UN-00911	14.2
UN-00717	9.4			UN-00838	13.10	UN-00912	14.2
UN-00718	9.4			UN-00839	13.10		
UN-00719	9.4			UN-00861	13.5		
UN-00727	7.1 7.2 7.4D 7.5D			UN-00862	13.2		
UN-00728	7.1 7.2 7.4D 7.5D			UN-00863	13.2 13.4		
UN-00780	13.1 13.1D 13.2 13.2D						

Parts Index

Item	Assembly	Item	Assembly	Item	Assembly	Item	Assembly
UN-00913	14.2	UN-00946	14.1	UN-01124	20.2	UN-01228	14.3A
UN-00914	14.2	UN-00947	14.1	UN-01125	20.2	UN-01229	14.3A 14.3B
UN-00915	14.2	UN-00948	14.1 14.1A 14.1B	UN-01125A	20.2	UN-01230	14.3A
UN-00916	14.2	UN-00949	14.3	UN-01135	9.2	UN-01231	14.3A 14.3B
UN-00917	14.2	UN-00950	14.3	UN-01183	13.9	UN-01232	14.3A 14.3B
UN-00918	14.1 14.1A 14.1B 15.3	UN-00951	14.3	UN-01184	10.5	UN-01235	13.9
UN-00919	14.1 14.1A 14.1B 15.3	UN-00952	14.3	UN-01200	14.1A	UN-01236	13.9
UN-00920	10.3 10.4 14.1 14.1A 14.1B	UN-00953	14.3	UN-01201	14.1A 14.1B	UN-01237	13.9
UN-00921	14.1 14.1A 14.1B 15.3	UN-00954	14.3	UN-01202	14.1A 14.1B	UN-01238	13.9 13.15 13.16
UN-00922	14.1 14.1A 14.1B	UN-00955	14.3	UN-01203	14.1A 14.1B	UN-01239	13.9
UN-00923	9.1 9.2 9.3 9.5	UN-00956	14.3	UN-01204	14.1A 14.1B	UN-01240	13.9
UN-00924	9.1 9.2 9.3 9.5	UN-00957	14.3	UN-01205	14.1A 14.1B	UN-01241	13.9
UN-00925	9.1 9.2 9.3 9.5	UN-00958	14.3 14.3A 14.3B	UN-01206	14.1A	UN-01242	13.9
UN-00926	9.1 9.2 9.3 9.5 14.1B	UN-00962	20.3	UN-01207	14.1A	UN-01245	12.1
UN-00927	9.1 9.2 9.3 14.1B	UN-01001	7.1 7.2 7.4D 7.5D	UN-01208	14.1A 14.1B	UN-01246	12.1
UN-00928	14.1 14.1A 14.1B	UN-01002	7.1 7.2 7.4D 7.5D	UN-01209	14.1A 14.1B	UN-01247	10.7
UN-00929	14.1 14.1A 14.1B	UN-01005	20.3	UN-01210	14.1A 14.1B	UN-01248	10.7
UN-00930	14.1 14.1A 14.1B	UN-01032	14.1A 14.1B	UN-01211	14.1A 14.1B	UN-01249	10.7
UN-00931	14.1 14.1A 14.1B	UN-01033	13.8 15.3	UN-01212	14.2A	UN-01250	10.7
UN-00932	14.1	UN-01038	10.5 13.15 13.16 17.3 17.3A 17.4 17.4A	UN-01213	14.2A 14.2B	UN-01251	10.7
UN-00933	14.1	UN-01039	20.2	UN-01214	14.2A 14.2B	UN-01252	10.7
UN-00934	14.1 14.1A 14.1B	UN-01040	20.2	UN-01215	14.2A 14.2B	UN-01265	1.3 1.6D
UN-00935	14.1	UN-01041	20.2	UN-01216	14.2A 14.2B	UN-01266	1.3 1.6D
UN-00936	14.1 14.1A 14.1B	UN-01047	20.2	UN-01217	14.2A	UN-01267	1.3 1.6D
UN-00937	14.1 14.1A 14.1B	UN-01061	20.2	UN-01218	14.2A	UN-01423	20.3
UN-00938	14.1 14.1A 14.1B	UN-01062	20.1	UN-01219	14.2A	UN-01424	20.3
UN-00939	14.1 14.1A 14.1B	UN-01063	20.1	UN-01220	14.2A	UN-01428	14.2A
UN-00940	14.1 14.1A 14.1B	UN-01068	13.6 13.7	UN-01221	14.2A	UN-01437	1.7D 1.8D 1.9D 1.10 1.11
UN-00941	14.1	UN-01069	13.1 13.1D 13.6	UN-01222	14.2A	UN-01477	9.4
UN-00942	14.1 14.1A 14.1B	UN-01071	13.3 13.3D 13.4 13.4D 13.5 13.5D 13.6 13.7	UN-01223	14.2A 14.2B	UN-01478	9.4
UN-00943	14.1 14.1A 14.1B	UN-01092	1.7D 1.8D 1.9D 1.10 1.11	UN-01224	14.3A	UN-01489	20.3
UN-00944	14.1 14.1A 14.1B			UN-01225	14.3A 14.3B	UN-01512	12.1
UN-00945	14.1			UN-01226	14.3A	UN-01548	20.3
				UN-01227	14.3A 14.3B		

Parts Index

Item	Assembly	Item	Assembly	Item	Assembly	Item	Assembly
UN-01552	20.3	UN-01599	9.3 9.5	UN-01829	20.1	UN-01923	13.15 13.16
UN-01553A	20.3	UN-01600	9.3 9.5	UN-01830	20.1	UN-01947	14.1B 14.3C
UN-01554	13.3 13.3D 13.4 13.4D 13.6 13.7 13.13	UN-01607	14.3B	UN-01831	20.1	UN-01948	14.1B 14.3C
UN-01560	20.2	UN-01608	14.3B	UN-01832	20.3	UN-01949	14.2A 14.2B
UN-01560A	20.2	UN-01609	14.3B	UN-01833	20.1	UN-01950	15.1B 15.1C
UN-01561	20.2	UN-01610	14.3B	UN-01834	20.1	UN-01956	12.1
UN-01562	20.2	UN-01611	14.3B	UN-01835	9.5	UN-01958	8.1
UN-01562A	20.2	UN-01612	20.3	UN-01839	13.13 13.15 13.16	UN-01959	9.5
UN-01562C	20.2	UN-01634	1.7D	UN-01840	9.5	UN-01969	13.15
UN-01563	20.2	UN-01639	12.1	UN-01842	20.2	UN-01972	13.15 13.16
UN-01563A	20.2	UN-01661	1.7D 1.8D 1.9D 1.10 1.11	UN-01846	20.1	UN-01982	14.3C
UN-01563D	20.2	UN-01669	1.7D 1.8D 1.9D 1.10 1.11	UN-01847	20.1	UN-01984	14.2B
UN-01564A	20.2	UN-01674	15.2A	UN-01848	1.7D	UN-02960	12.1
UN-01566A	20.1	UN-01712	1.3 1.6D	UN-01852	13.13	UN-02974	17.3 17.4
UN-01567A	20.1	UN-01713	1.4D 1.7D 1.8D 1.9D 1.10 1.11	UN-01853	14.3C	UN-02975	10.1 10.2 10.5
UN-01570	20.3	UN-01714	10.7	UN-01854	14.3C	UN-02982	13.1 13.1D 13.2 13.2D 13.3 13.3D 13.4 13.4D
UN-01579	13.1D 13.2D 13.3D 13.4D	UN-01715	9.2	UN-01862	14.3C	UN-02984	13.1 13.1D 13.2 13.2D
UN-01580	13.1D 13.2D	UN-01716	9.2 9.3 9.5	UN-01863	14.3C	UN-02995	12.1 12.2 12.3 12.4 12.5
UN-01581	13.1D 13.2D	UN-01730	11.1 11.1A 11.2 11.4	UN-01864	14.3C	UN-02996	12.1 12.2 12.3 12.4 12.5
UN-01582	13.1D 13.2D 13.4D	UN-01753	9.5	UN-01866	14.3C	UN-02997	12.1 12.2 12.3 12.4 12.5
UN-01583	13.1D 13.2D 13.3D 13.4D	UN-01771	1.6D	UN-01873	9.5 14.1B 14.1B	UN-02998	12.1 12.2 12.3 12.4 12.5
UN-01584	13.2D 13.4D	UN-01772	13.13	UN-01890	14.3C	UN-02999	12.1 12.2 12.3 12.4 12.5
UN-01585	13.1D 13.2D 13.3D	UN-01816	3.1A	UN-01892	20.1	UN-03000	5.1 5.2 5.3 5.4 5.5 5.6 5.7 10.5
UN-01587	13.1D 13.3D	UN-01821	20.1	UN-01894	20.3	UN-03001	5.1 5.5
UN-01588	13.11 13.12	UN-01822	20.1	UN-01895	20.3	UN-03002	5.1 5.2 5.3 5.4 5.5 5.6 5.7
UN-01589	13.11 13.12	UN-01823	20.1	UN-01896	2.1 11.1 11.1A 11.2 11.4	UN-03003	5.1 5.5 5.7
UN-01594	13.11 13.12	UN-01824	20.1	UN-01897	2.1 11.1 11.1A 11.2 11.4	UN-03006	5.1 5.2 5.3 5.4 5.5 5.6 5.7
UN-01595	13.11 13.12	UN-01825	20.1	UN-01911	9.5	UN-03007	5.1 5.5 5.7
UN-01596	13.11 13.12	UN-01826	20.1	UN-01913	9.5	UN-03010	5.1 5.2 5.3 5.4 5.5 5.6 5.7
UN-01597	13.11 13.12	UN-01827	20.1	UN-01919	17.3 17.3A 17.4 17.4A		
UN-01598	1.6D 13.1D 13.2D	UN-01828	20.1	UN-01921	13.15 13.16		
				UN-01922	13.15 13.16		

Parts Index

Item	Assembly	Item	Assembly	Item	Assembly	Item	Assembly
UN-03011	5.1 5.5 5.7			UN-03559	6.2	UN-03614	6.3
UN-03014	5.1 5.2 5.3 5.4 5.5 5.6 5.7	UN-03203	6.1 6.1A 6.1B 17.1 17.2 17.3 17.3A 17.4 17.4A	UN-03560	6.2	UN-03615	6.3
UN-03015	5.1 5.5	UN-03204	6.1	UN-03561	6.2	UN-03627	17.3 17.3A 17.4 17.4A
UN-03016	5.1 5.2 5.3 5.4 5.5 5.6 5.7 10.5	UN-03205	6.1	UN-03562	6.2	UN-03642	6.2
UN-03025	17.3 17.3A 17.4A	UN-03206	6.1	UN-03563	6.2	UN-03643	6.2
UN-03026	17.3A 17.4A	UN-03207	6.1	UN-03572	6.2	UN-03644	6.2
UN-03030	4.1 4.2 4.3 4.4 4.5 4.6 4.9 4.10 4.11 6.3 10.1 17.3 17.3A 17.4 17.4A	UN-03208	6.1	UN-03575	6.2	UN-03645	6.2
		UN-03209	6.1	UN-03576	6.2	UN-03646	6.2
		UN-03210	6.1	UN-03577	6.2	UN-03648	6.1
		UN-03211	6.1	UN-03578	6.2	UN-03649	6.1
		UN-03214	6.1	UN-03579	6.2	UN-03758	10.6
UN-03031	3.2 3.2A 3.3 3.3A 3.4 3.4A 3.5 3.5A 3.6D 3.7D 4.7 4.8 4.9 4.10 4.11 6.3	UN-03215	6.1	UN-03584	6.2	UN-03827	6.1
		UN-03284	6.1	UN-03585	6.2	UN-03828	6.1
		UN-03285	6.1	UN-03587	6.2	UN-03829	6.1
		UN-03286	6.1	UN-03588	6.2	UN-03830	6.1
		UN-03287	6.1	UN-03591	6.2 6.2A	UN-03831	6.1
UN-03032	6.3 10.1 10.2 10.6	UN-03288	6.1	UN-03594	6.2 6.2A 17.1 17.2 17.3 17.3A 17.4 17.4A	UN-03832	6.1
UN-03033	6.3 10.1 10.2 10.6	UN-03289	6.1		UN-03836	6.1	
UN-03034	6.3 10.6	UN-03290	6.1		UN-03837	6.1	
UN-03035	3.1 3.1A 4.1 4.2 4.3 4.4 4.5 4.6 4.7 4.8 4.9 4.10 4.11 6.3	UN-03291	6.1	UN-03595	6.2 6.2A 17.1 17.2 17.3 17.3A 17.4 17.4A	UN-03838	6.1
		UN-03292	6.1		UN-03839	6.1	
		UN-03293	6.1		UN-03840	6.1	
UN-03036	17.1 17.2	UN-03294	6.1 6.1A 6.1B	UN-03598	6.2 6.2A	UN-03841	6.1
UN-03037	17.1 17.2 17.3 17.3A 17.4 17.4A	UN-03295	6.1 6.1A 6.1B	UN-03602	6.2 6.2A	UN-03859	6.2A
		UN-03296	6.1 6.1A 6.1B	UN-03603	6.2 6.2A	UN-03860	6.2A
UN-03038	4.1 4.2 4.3 4.4 4.5 4.6 4.9 4.10 4.11	UN-03297	6.1	UN-03604	6.2 6.2A	UN-03861	6.1
		UN-03298	6.1	UN-03605	17.1 17.2	UN-03866	6.2A
UN-03200	6.1 6.1A 6.1B 17.1 17.2	UN-03299	6.1	UN-03606	17.1 17.2	UN-03867	6.2A
UN-03201	6.1 6.1A 6.1B 17.1 17.2	UN-03300	6.1	UN-03608	6.2	UN-03868	6.2A
		UN-03301	6.1	UN-03609	6.2	UN-03869	6.2A
UN-03202	6.1 6.1A 6.1B 17.1 17.2 17.3 17.3A 17.4 17.4A	UN-03550	6.2	UN-03610	6.3	UN-03870	6.1
		UN-03551	6.2	UN-03611	6.3	UN-03871	6.1
		UN-03558	6.2	UN-03612	6.3	UN-03872	6.2A
				UN-03613	6.3	UN-03873	6.2 6.2A

Parts Index

Item	Assembly	Item	Assembly	Item	Assembly	Item	Assembly
UN-03901	6.1	UN-03947	6.2A	UN-03981	6.2A	UN-04189	6.1A 6.1B 17.3 17.3A
UN-03902	6.1	UN-03948	6.2A	UN-03982	6.2A	UN-04190	6.1A 17.3 17.3A
UN-03903	6.1	UN-03949	6.2A	UN-03983	6.2A	UN-04198	6.1B
UN-03904	6.1	UN-03950	6.2A	UN-03984	6.2A	UN-04218	6.2A
UN-03905	6.1	UN-03951	6.2A	UN-03985	6.2A	UN-04219	6.2A
UN-03906	6.1	UN-03952	6.2A	UN-03986	6.2A	UN-04220	6.2A
UN-03907	6.1 6.1A 6.1B	UN-03953	6.2A	UN-03987	6.2A	UN-04335	6.1A 6.1B
UN-03908	6.1 6.1A 6.1B	UN-03954	6.2A	UN-03988	6.2A	UN-04336	6.1A 6.1B
UN-03909	6.1 6.1A 6.1B	UN-03955	6.2A	UN-03989	6.2A	UN-04337	6.1A 6.1B
UN-03910	6.1 6.1A 6.1B	UN-03956	6.2A	UN-03990	6.2A	UN-04338	6.1A 6.1B
UN-03911	6.1 6.1A 6.1B	UN-03957	6.2A	UN-03991	6.2A	UN-04339	6.1A 6.1B
UN-03912	6.1 6.1A 6.1B	UN-03958	6.2A	UN-03992	6.2A	UN-04340	6.1A 6.1B
UN-03913	6.1 6.1A 6.1B	UN-03959	6.2A	UN-03993	6.2A	UN-04341	6.2A
UN-03914	6.1 6.1A 6.1B	UN-03960	6.2A	UN-03994	6.2A	UN-04342	6.2A
UN-03915	6.1 6.1A 6.1B	UN-03961	6.2A	UN-03995	6.2A	UN-04343	6.2A
UN-03916	6.1 6.1A 6.1B	UN-03962	6.2A	UN-03996	6.2A	UN-04344	6.2A
UN-03917	6.1 6.1A 6.1B	UN-03963	6.2A	UN-03997	6.2A	UN-04345	6.2A
UN-03918	6.1 6.1A 6.1B	UN-03964	6.2A	UN-03998	6.2A	UN-04346	6.2A
UN-03919	6.1 6.1A	UN-03965	6.2A	UN-03999	6.2A	UN-04347	6.2A
UN-03920	6.1 6.1A	UN-03966	6.2A	UN-04110	6.1 6.1A	UN-04348	6.2A
UN-03921	6.1 6.1A	UN-03967	6.2A	UN-04111	6.1 6.1A	UN-04349	6.2A
UN-03922	6.1 6.1A	UN-03968	6.2A	UN-04112	6.1 6.1A	UN-04350	6.2A
UN-03923	6.1 6.1A	UN-03969	6.2A	UN-04113	6.1 6.1A	UN-04351	6.2A
UN-03924	6.1 6.1A	UN-03970	6.2A	UN-04114	6.1 6.1A	UN-04352	6.2A
UN-03925	6.1 6.1A 6.1B	UN-03971	6.2A	UN-04115	6.1 6.1A	UN-04353	6.2A
UN-03926	6.1 6.1A 6.1B	UN-03972	6.2A	UN-04116	6.1 6.1A 6.1B	UN-04354	6.2A
UN-03927	6.1 6.1A 6.1B	UN-03973	6.2A	UN-04117	6.1 6.1A 6.1B	UN-04355	6.2A
UN-03928	6.1 6.1A 6.1B	UN-03974	6.2A	UN-04118	6.1 6.1A 6.1B	UN-04356	6.1A 6.1B
UN-03929	6.1 6.1A 6.1B	UN-03975	6.2A	UN-04119	6.1 6.1A 6.1B	UN-04357	6.1A 6.1B
UN-03930	6.1 6.1A 6.1B	UN-03976	6.2A	UN-04120	6.1 6.1A 6.1B	UN-04358	6.1A 6.1B
UN-03943	6.2A	UN-03977	6.2A	UN-04121	6.1 6.1A 6.1B	UN-04359	6.1A 6.1B
UN-03944	6.2A	UN-03978	6.2A	UN-04122	6.1B 17.4 17.4A	UN-04360	6.1A 6.1B
UN-03945	6.2A	UN-03979	6.2A	UN-04123	17.4 17.4A	UN-04361	6.1A 6.1B
UN-03946	6.2A	UN-03980	6.2A	UN-04124	17.4	UN-04362	6.2A

Parts Index

Item	Assembly	Item	Assembly	Item	Assembly	Item	Assembly
UN-04363	6.2A	UN-05017	13.5D 13.6	UN-05091	13.1 13.1D 13.3 13.3D 13.12	UN-10023	1.1
UN-04364	6.2A	UN-05020	13.5	UN-05100	13.8 13.12 13.15 13.16 17.1 17.2 17.3 17.3A 17.4 17.4A	UN-10025	1.1
UN-04365	6.2A	UN-05021	13.12	UN-05101	1.1 1.3 1.5D 1.6D 9.1 9.2 9.3 9.5 10.1 13.1 13.1D 13.2 13.2D 13.5 13.5D 13.6 13.7 13.8 13.9 13.12 15.3	UN-10026	1.4D 1.7D 1.8D 1.9D 1.10 1.11 2.1
UN-04366	6.2A	UN-05025	13.5 13.5D	UN-05102	1.3 1.6D 10.1 10.2 13.1 13.1D 13.2 13.2D 13.9 13.11 13.12 13.14 13.15 13.16	UN-10029	1.1 1.5D
UN-04367	6.2A	UN-05026	13.5 13.5D 13.6	UN-05103	13.1 13.1D 13.2 13.2D 13.5 13.5D	UN-10048	1.1
UN-04368	6.2A	UN-05027	13.5 13.5D	UN-05105	13.11 13.12 13.14	UN-10053	5.1 5.3 5.5 5.7 11.1 11.1A 11.2 11.4
UN-04369	6.2A	UN-05028	13.5 13.5D	UN-05106	1.6D	UN-10054	5.2 5.4 5.6 11.1 11.1A 11.2 11.4
UN-04370	6.2A	UN-05029	13.3 13.3D 13.4 13.4D	UN-05135	13.15 13.16	UN-10055	2.1
UN-04371	6.2A	UN-05030	13.5 13.5D 13.6 13.7	UN-05198	13.1 13.1D 13.2 13.2D 13.6 13.7 13.13	UN-10056	2.1
UN-04372	6.2A	UN-05046	13.1 13.1D 13.2 13.2D	UN-05199	13.3 13.3D 13.4 13.4D	UN-10057	8.1
UN-04373	6.2A	UN-05054	13.12 13.14 13.15 13.16	UN-08014	1.1 1.4D 1.7D 1.8D 1.9D 1.10 1.11 10.1	UN-10058	8.1
UN-04374	6.2A	UN-05055	9.1 9.2 9.3 9.5 13.6 13.7 13.9 13.12	UN-08110	9.3 9.5	UN-10059	1.1 5.1 5.3 5.5 11.1 11.1A 11.2 11.4
UN-04375	6.2A	UN-05059	13.3 13.3D 13.4 13.4D 13.7	UN-08125	17.3 17.4	UN-10060	1.1 5.2 5.4 5.6 11.1 11.1A 11.2 11.4
UN-04376	6.2A	UN-05065	13.9	UN-08280	6.4	UN-10062	1.2
UN-05000	13.8 13.12 13.15 13.16 17.1 17.2 17.3 17.3A 17.4 17.4A	UN-05067	1.3 1.6D	UN-08285	6.4	UN-10063	1.1 1.4D 1.11
UN-05001	1.1 1.3 1.5D 1.6D 13.6 13.7	UN-05068	1.3 1.6D	UN-08287	6.4	UN-10064	11.1
UN-05002	13.1 13.1D 13.2 13.2D	UN-05069	1.3 1.6D 13.12	UN-08295	6.4	UN-10071	8.1
UN-05003	1.3 1.6D 9.1 9.2 9.3 9.5 10.1 13.1 13.1D 13.2 13.2D 13.5 13.5D 13.6 13.7 13.8 13.9 13.12 15.3	UN-05070	1.3 1.6D	UN-08297	6.4	UN-10072	8.1
UN-05004	1.3 1.6D 10.1 10.2 13.9 13.15 13.16	UN-05071	1.3 1.6D	UN-08299	6.4	UN-10075	7.3
UN-05006	13.5 13.5D 13.6 13.7	UN-05074	13.1 13.1D 13.2 13.2D	UN-10001	1.1	UN-10078	7.3
UN-05007	13.5 13.5D 13.6 13.7 13.12	UN-05075	1.3 1.6D 13.1 13.1D 13.2 13.2D 13.9 13.11	UN-10080	9.1	UN-10080	9.1
UN-05010	13.6 13.7	UN-05076	13.1 13.1D 13.2 13.2D	UN-10098	9.1	UN-10105	9.1 9.2 9.3 9.5
UN-05011	13.5 13.5D	UN-05080	1.3 1.6D 13.9 13.15 13.16	UN-10109	1.1 1.5D	UN-10110	1.1 1.5D
UN-05015	13.5	UN-05081	13.9	UN-10111	1.1 1.5D	UN-10115	9.1
UN-05016	13.12	UN-05087	1.3 1.6D 13.12	UN-10120	3.1 3.1A	UN-10130	3.1 3.1A
		UN-05088	13.9				
		UN-05089	13.9				
		UN-05090	13.1 13.1D 13.3 13.3D 13.11 13.12				

Parts Index

Item	Assembly	Item	Assembly	Item	Assembly	Item	Assembly	
UN-10133	9.3 9.5	UN-10240	3.1 3.2 3.3 3.4 3.5	UN-10332	4.2 4.4	UN-10435	3.2 3.2A 3.3 3.3A 3.4 3.4A 3.5 3.5A	
UN-10135	3.2 3.4 3.6D	UN-10241	3.1 3.2 3.3 3.4 3.5	UN-10333	4.1 4.3 4.9 4.10	UN-10437	13.1 13.1D	
UN-10145	3.3 3.5	UN-10246	11.1 11.1A 11.4	UN-10337	4.2 4.4	UN-10440	13.3 13.3D 13.4 13.4D	
UN-10150	9.1	UN-10259	1.1	UN-10338	4.1 4.3 4.9 4.10	UN-10445	13.3 13.3D 13.4 13.4D	
UN-10155	9.1	UN-10264	1.1	UN-10343	3.7D 4.1 4.2 4.3 4.4 4.5 4.6 4.7 4.8 4.9 4.10 4.11	UN-10449	13.6 13.7	
UN-10158	9.1 9.2 9.3	UN-10266	4.1 4.2 4.3 4.4 4.5 4.6 4.9 4.10 4.11		UN-10344	4.1 4.2 4.5 4.6 4.7 4.8 4.9 4.11	UN-10452	12.1 12.2 12.3 12.4 12.5
UN-10159	9.1 9.2 9.3		UN-10270			9.1	UN-10454	12.1
UN-10160	9.1 9.2 9.3	UN-10281	9.1 9.2 9.3 9.5	UN-10345	4.2 4.6	UN-10455	7.3 12.1	
UN-10161	9.1 9.2 9.3 9.5 11.3	UN-10284	9.1	UN-10346	4.2 4.4	UN-10460	7.3 12.1	
UN-10162	1.5D 1.6D 9.1 9.2	UN-10287	1.4D 1.7D 1.8D 1.8D 1.9D 1.10 1.11 9.1 9.2 9.3 9.5	UN-10347	11.3	UN-10465	11.3	
UN-10163	9.1 9.2 9.3 9.5		UN-10288	9.1 9.2 9.3 9.5	UN-10348	11.3	UN-10470	11.3
UN-10164	9.1 9.2 9.3 9.5 10.1 10.3 10.4 10.7			UN-10290	1.4D 1.5D 1.7D 1.8D 1.9D 1.10 1.11 9.1 9.2 9.3 9.5	UN-10350	7.3	UN-10471
UN-10165	1.2	UN-10291	9.1 9.2 9.3 9.5		UN-10351	7.3	UN-10472	11.2 11.3
UN-10174	1.1		UN-10292		9.1 9.2 9.3 9.5	UN-10385	17.1 17.2	UN-10474
UN-10175	1.2	UN-10293		1.4D 9.1 9.2 9.3 9.5	UN-10387	17.1 17.2	UN-10475	11.3
UN-10178	1.2		UN-10294	13.8	UN-10388	17.1 17.2	UN-10476	11.3
UN-10179	1.2	UN-10295		14.1	UN-10390	17.1 17.2	UN-10477	8.1 11.2
UN-10180	9.1 9.2		UN-10296	9.2 9.3 9.5	UN-10391	17.1	UN-10478	11.3
UN-10186	9.1 9.2	UN-10297		13.1 13.1D 13.2 13.2D	UN-10399	17.1	UN-10479	11.3
UN-10188	9.1 9.2		UN-10300	7.1 7.2 7.4D 7.5D	UN-10401	17.1	UN-10480	1.7D 1.8D 1.9D 1.12 4.1 4.2 4.3 4.4 4.5 4.6 4.9 4.10 4.11
UN-10201	9.1 9.2	UN-10301		7.1 7.4D	UN-10405	17.1 17.2 17.4 17.4A		UN-10481
UN-10203	9.1		UN-10302	7.1 7.2 7.4D 7.5D	UN-10408	17.1 17.2 17.3 17.3A 17.4 17.4A	UN-10484	11.1
UN-10205	1.1 7.3	UN-10303		7.1 7.2 7.4D 7.5D		UN-10411	17.1 17.2 17.3 17.3A 17.4 17.4A	UN-10485
UN-10206	1.1 7.3		UN-10304	7.3	UN-10414		17.1 17.2	
UN-10231	1.1	UN-10310		4.1 4.3 4.5	UN-10419	2.1	UN-10489	14.2
UN-10232	1.1		UN-10318	4.2 4.4 4.6	UN-10420	3.1 3.1A	UN-10497	9.1 9.2 9.3 9.5
UN-10233	1.1	UN-10320		4.1 4.5 4.9 4.11	UN-10425	3.1 3.1A	UN-10499	4.1 4.2 4.3 4.4 4.5 4.6
UN-10234	1.1		UN-10325	4.2 4.6	UN-10430	3.2 3.2A 3.3 3.3A 3.4 3.4A 3.5 3.5A		UN-10502
UN-10235	1.1	UN-10327		4.1 4.3 4.9 4.10				
UN-10236	1.1							
UN-10237	1.1							
UN-10238	1.1							
UN-10239	1.1							

Parts Index

Item	Assembly	Item	Assembly	Item	Assembly	Item	Assembly
UN-10503	4.1 4.2 4.5 4.6 4.9 4.11	UN-10581	7.1 7.2 7.4D 7.5D	UN-10663	13.1 13.1D 13.2 13.2D 13.9	UN-10723	17.1 17.2 17.3 17.3A 17.4 17.4A
UN-10504	4.1 4.2 4.5 4.6 4.9 4.11	UN-10585	7.1 7.4D	UN-10664	10.1	UN-10724	17.1 17.2 17.3 17.3A 17.4 17.4A
UN-10505	4.1 4.2 4.5 4.6 4.9 4.11	UN-10588	7.1	UN-10665	10.3 10.4	UN-10725	17.1 17.2
UN-10506	4.1 4.2 4.5 4.6 4.9 4.11	UN-10590	7.1	UN-10666	10.3 10.4	UN-10726	17.1 17.2 17.3 17.3A 17.4 17.4A
UN-10507	4.1 4.2 4.3 4.4 4.5 4.6 4.9 4.10 4.11	UN-10591	7.1	UN-10674	10.3	UN-10727	17.1 17.2 17.3 17.3A 17.4 17.4A
UN-10508	4.1 4.2 4.3 4.4 4.5 4.6 4.9 4.10 4.11	UN-10592	7.1	UN-10675	10.4	UN-10728	17.1 17.2 17.3 17.3A 17.4 17.4A
UN-10509	1.1	UN-10594	7.1	UN-10676	10.3	UN-10729	17.1 17.2 17.3 17.3A 17.4 17.4A
UN-10510	9.1 9.2 9.3 9.5	UN-10595	7.1	UN-10677	10.4	UN-10730	17.1 17.2
UN-10511	9.1 9.2 9.3 9.5	UN-10596	1.1 7.1 7.2	UN-10678	7.1 7.2 7.4D 7.5D	UN-10731	17.1 17.2
UN-10512	9.1 9.2 9.3 9.5	UN-10599	12.1	UN-10679	7.1 7.2	UN-10732	17.1 17.2
UN-10513	9.1 9.2 9.3 9.5	UN-10600	10.1	UN-10682	10.1	UN-10733	17.2 17.3 17.3A 17.4 17.4A
UN-10514	8.1	UN-10601	10.1	UN-10683	10.1	UN-10735	3.1 3.1A
UN-10520	1.1 1.5D	UN-10615	10.2	UN-10684	10.2	UN-10738	3.1 3.1A
UN-10525	1.1 1.5D	UN-10616	10.2	UN-10685	10.2	UN-10739	3.1 3.1A
UN-10530	1.1 1.5D	UN-10630	10.1	UN-10686	10.1	UN-10740	3.1 3.1A
UN-10533	1.1 1.5D	UN-10638	10.2	UN-10687	10.1	UN-10742	3.1 3.1A
UN-10536	1.1	UN-10640	10.1	UN-10688	10.2	UN-10750	11.1
UN-10540	7.1	UN-10641	10.2	UN-10689	10.2	UN-10752	7.1 7.2 7.4D 7.5D
UN-10548	7.1	UN-10646	10.2	UN-10692	10.1	UN-10756	7.1 7.2 7.4D 7.5D
UN-10550	7.1 7.2 7.4D 7.5D	UN-10647	10.1	UN-10697	10.1	UN-10757	7.1 7.4D
UN-10555	7.1 7.2 7.4D 7.5D	UN-10651	10.1 10.2	UN-10700	10.1	UN-10761	7.1 7.4D
UN-10557	7.1 7.2	UN-10652	10.1 10.2	UN-10702	10.1	UN-10763	7.1 7.4D
UN-10559	7.1 7.2	UN-10653	10.1 10.2	UN-10705	17.1	UN-10767	7.1 7.4D
UN-10560	1.1 7.1 7.2	UN-10654	10.1 10.2	UN-10712	17.1	UN-10770	7.1 7.4D
UN-10570	7.1	UN-10655	9.1 9.2 9.3 9.5 10.1 10.3 10.4	UN-10715	17.1 17.2	UN-10773	7.2 7.5D
UN-10574	7.1	UN-10656	9.1 9.2 9.3 9.5 10.1 10.3 10.4	UN-10719	17.1 17.2	UN-10780	2.1 8.1
UN-10577	7.1 7.2 7.4D 7.5D	UN-10657	10.1	UN-10720	17.1 17.2 17.3 17.3A 17.4 17.4A	UN-10781	2.1
UN-10579	7.1 7.2 7.4D 7.5D	UN-10658	10.1	UN-10721	17.1 17.2 17.3 17.3A 17.4 17.4A		
		UN-10659	10.1	UN-10722	17.1 17.2 17.3 17.3A 17.4 17.4A		
		UN-10660	10.1 10.2 10.5				
		UN-10661	10.1 10.2				
		UN-10662	10.1 10.2				

Parts Index

Item	Assembly	Item	Assembly	Item	Assembly	Item	Assembly
UN-10782	2.1	UN-10858	15.2 15.2A	UN-10917	16.1	UN-11017	9.1 9.5
UN-10783	2.1	UN-10859	1.4D 15.2 15.2A 16.1	UN-10918	16.1	UN-11019	9.1
UN-10784	8.1	UN-10860	15.2 15.2A	UN-10919	16.1	UN-11020	7.1 7.4D
UN-10785	8.1	UN-10861	15.1	UN-10920	15.3	UN-11022	7.1 7.4D
UN-10786	2.1 8.1	UN-10862	15.1 15.1A	UN-10938	15.3	UN-11024	7.1 7.4D
UN-10787	8.1		15.1B 15.1C	UN-10941	16.1	UN-11026	7.1 7.4D
UN-10790	2.1	UN-10863	15.1 15.1A	UN-10942	15.3	UN-11030	7.2 7.5D
UN-10791	2.1		15.1B 15.1C	UN-10954	15.3	UN-11031	7.2 7.5D
UN-10792	8.1	UN-10864	15.1 15.1A	UN-10960	7.2	UN-11033	7.2 7.5D
UN-10793	8.1	UN-10865	15.1 15.1A	UN-10964	7.2	UN-11035	7.2 7.5D
UN-10794	2.1 8.1	UN-10868	15.1	UN-10966	1.8D 7.2 7.5D	UN-11037	7.2 7.5D
UN-10796	9.1 9.2 9.3 9.5	UN-10872	15.1	UN-10968	1.8D 7.2 7.5D	UN-11039	7.2 7.5D
UN-10797	13.2 13.2D	UN-10873	15.1	UN-10970	7.2	UN-11042	7.2 7.5D
UN-10798	13.1D 13.2 13.2D	UN-10874	15.1	UN-10973	7.2	UN-11043	7.2 7.5D
UN-10815	1.1	UN-10877	15.1	UN-10975	7.2	UN-11045	7.1 7.4D
UN-10816	1.1	UN-10878	15.1	UN-10978	7.2 7.5D	UN-11046	7.1 7.4D
UN-10832	15.3	UN-10879	15.1	UN-10982	7.2 7.5D	UN-11048	14.1 14.1A
UN-10833	15.3	UN-10880	7.3	UN-10983	7.2 7.5D	UN-11050	9.1 9.2 9.3 9.5
UN-10834	15.3	UN-10881	7.3	UN-10984	7.2 7.5D	UN-11051	9.1 9.2 9.3 9.5
UN-10835	15.1	UN-10888	16.1	UN-10985	11.3	UN-11057	16.1
UN-10837	15.1 15.1A	UN-10891	16.1	UN-10988	7.2 7.5D 11.3	UN-11058	16.1
	15.1B 15.1C	UN-10893	16.1	UN-10992	11.3	UN-11059	16.1
UN-10838	16.1	UN-10895	16.1	UN-10995	11.3	UN-11060	16.1
UN-10840	7.3	UN-10900	16.1	UN-10996	8.1	UN-11075	10.4
UN-10841	7.3	UN-10905	16.1	UN-10998	12.1	UN-11076	10.4
UN-10847	15.1 15.1A 15.2	UN-10906	16.1	UN-11000	1.1	UN-11080	3.1A 3.2A 3.3A 3.4A 3.5A
UN-10848	15.1 15.1A	UN-10907	16.1	UN-11004	1.1		
UN-10849	15.2 15.2A	UN-10908	16.1	UN-11007	9.1 9.2 9.3 9.5	UN-11081	3.1A 3.2A 3.3A 3.4A 3.5A
UN-10850	15.1 15.1A	UN-10909	16.1	UN-11008	14.1	UN-11085	3.1A 3.2A 3.3A 3.4A 3.5A
UN-10851	15.1 15.1A	UN-10910	16.1	UN-11011	13.10		
UN-10852	15.2	UN-10913	16.1	UN-11012	13.10	UN-11086	3.1A 3.2A 3.3A 3.4A 3.5A
UN-10853	15.2	UN-10914	16.1	UN-11013	13.10		
UN-10854	15.2 15.2A	UN-10915	16.1	UN-11015	9.1	UN-11093	7.3
UN-10857	15.2 15.2A	UN-10916	16.1	UN-11016	9.1		

Parts Index

Item	Assembly	Item	Assembly	Item	Assembly	Item	Assembly
UN-11095	15.1 15.1A 15.1B	UN-11280	1.4D	UN-11433	1.4D	UN-11525	7.2 7.5D
UN-11100	15.1 15.1A 15.1B	UN-11282	1.4D 1.7D 1.8D	UN-11440	1.4D	UN-11528	7.2 7.5D
UN-11103	15.1 15.1A		1.9D 1.10 1.11	UN-11448	1.7D 1.8D 1.9D 1.12	UN-11531	13.3 13.3D
UN-11104	15.1 15.1A	UN-11285	1.4D 1.7D 1.8D	UN-11449	1.4D	UN-11534	14.1A
UN-11105	15.3		1.9D 1.10 1.11	UN-11454	3.6D 3.7D	UN-11535	17.2 17.3 17.3A
UN-11110	9.2	UN-11301	1.4D 1.7D 1.8D	UN-11455	3.6D 3.7D		17.4 17.4A
UN-11120	9.2 9.3 9.5		1.9D 1.10 1.11	UN-11456	3.6D 3.7D 3.8 3.9	UN-11539	1.4D 2.1
UN-11125	9.2 9.3	UN-11303	1.7D 1.8D 1.9D	UN-11457	15.1A 16.1	UN-11540	14.2A
UN-11129	9.2		1.10 1.11	UN-11458	15.1A	UN-11544	14.2A
UN-11132	9.2	UN-11310	7.3	UN-11460	16.1	UN-11545	14.2A 14.2B
UN-11134	9.2	UN-11312	7.3	UN-11462	16.1	UN-11550	10.4
UN-11136	9.2	UN-11315	1.1 7.3	UN-11465	15.1A	UN-11554	10.4
UN-11138	9.2 9.3 9.5	UN-11317	1.1 7.3	UN-11466	10.3 15.3	UN-11555	1.4D 1.7D 1.8D
UN-11140	9.2	UN-11340	1.1 7.1 7.2	UN-11467	10.3 15.3		1.9D 1.10 1.11 2.1
UN-11150	9.2	UN-11349	1.1 7.1 7.2	UN-11468	15.1A 15.1B 15.1C	UN-11559	1.4D 1.7D 1.8D
UN-11154	9.2	UN-11351	7.1 7.4D	UN-11471	15.1A 15.1B 15.1C		1.9D 1.10 1.11 2.1
UN-11158	9.2 9.3 9.5	UN-11354	7.1 7.4D	UN-11473	15.3	UN-11560	10.1
UN-11159	9.2 9.3 9.5 10.4	UN-11356	1.9D 7.1 7.4D	UN-11480	15.3	UN-11561	10.1
UN-11160	9.2 9.3 9.5 10.4	UN-11358	1.9D 7.1 7.4D	UN-11485	17.2	UN-11566	10.1
UN-11167	10.4	UN-11362	17.1 17.2	UN-11488	17.2	UN-11567	10.1
UN-11168	10.4	UN-11363	1.1	UN-11490	15.1A 15.1B	UN-11568	10.1
UN-11171	10.4	UN-11364	7.1 7.2 7.4D 7.5D		15.1C 16.1	UN-11569	10.1
UN-11172	10.4	UN-11365	1.1 7.1 7.2	UN-11494	15.1A 16.1	UN-11570	1.3
UN-11176	15.1A	UN-11371	9.1	UN-11495	15.1A 15.1B 15.1C	UN-11576	1.3 1.6D
UN-11177	15.2	UN-11372	9.1	UN-11498	15.1A	UN-11580	1.3
UN-11178	15.2	UN-11373	9.1	UN-11499	15.1A 16.1	UN-11582	1.3 1.6D
UN-11180	7.3	UN-11374	9.1	UN-11500	17.2 17.4 17.4A	UN-11585	1.3 1.6D
UN-11181	7.3	UN-11380	1.4D 1.7D 1.8D	UN-11502	17.2 17.4 17.4A	UN-11586	1.3 1.6D
UN-11185	15.1A 15.1B		1.9D 7.3	UN-11503	17.2 17.3 17.3A	UN-11587	1.3 1.6D
UN-11190	15.1A 15.1B	UN-11381	1.4D 1.7D 1.8D		17.4 17.4A	UN-11590	1.3 1.6D
UN-11193	10.1		1.9D 7.3	UN-11510	11.3	UN-11592	1.6D
UN-11195	9.2 9.3 9.5 10.4	UN-11387	3.6D	UN-11514	11.3	UN-11612	1.4D 1.7D 1.8D
UN-11199	9.2 9.3 9.5	UN-11388	3.6D	UN-11516	7.3 12.1		1.9D 1.10 1.11 2.1
UN-11250	1.5D 1.6D	UN-11392	1.4D	UN-11518	7.3 12.1		

Parts Index

Item	Assembly	Item	Assembly	Item	Assembly	Item	Assembly
UN-11618	15.1A 15.1B 15.1C 16.1	UN-11756	1.4D	UN-11925	7.3 15.2A	UN-12070	2.1 8.1
		UN-11758	1.4D 1.7D 1.8D 1.9D	UN-11926	7.3 15.2A	UN-12078	1.1 1.4D
UN-11619	15.1A 15.1B 15.1C 16.1	UN-11760	1.4D	UN-11933	7.3 16.1	UN-12080	12.1
UN-11650	10.6	UN-11798	9.3 9.5 13.1 13.1D 13.2 13.2D	UN-11934	7.3 16.1	UN-12081	12.1
UN-11680	1.4D	UN-11799	10.7	UN-11945	9.3	UN-12083	12.1
UN-11685	1.4D	UN-11800	10.5	UN-11950	9.3 9.5	UN-12084	12.1
UN-11689	1.4D	UN-11801	10.5	UN-11951	9.3 9.5	UN-12085	9.3 9.5
UN-11690	1.4D	UN-11825	10.5	UN-11970	8.1	UN-12095	9.3 9.5
UN-11695	1.4D	UN-11827	10.5	UN-11974	8.1	UN-12100	9.3 9.5
UN-11697	1.4D	UN-11830	10.6	UN-11975	8.1	UN-12105	15.1B 15.1C
UN-11698	1.4D	UN-11831	10.6	UN-11980	10.5	UN-12106	15.1B 15.1C
UN-11700	1.4D	UN-11838	10.6	UN-11983	10.5	UN-12107	15.1B 15.1C
UN-11704	1.4D 1.7D 1.8D 1.9D 1.10 1.11 13.13	UN-11839	10.6	UN-12005	10.7	UN-12108	15.1B 15.1C
UN-11705	1.4D	UN-11840	10.6	UN-12010	10.7	UN-12110	15.1B
UN-11712	1.4D	UN-11841	10.6	UN-12015	10.7	UN-12113	15.1B 15.1C
UN-11716	1.4D	UN-11843	10.5	UN-12017	10.4 10.7	UN-12114	15.1B 15.1C
UN-11720	1.4D	UN-11844	10.5	UN-12020	10.6	UN-12115	15.1B 15.1C
UN-11723	7.5D	UN-11845	10.7	UN-12021	10.6	UN-12118	10.4
UN-11725	7.5D	UN-11875	10.7	UN-12025	12.1	UN-12121	10.4
UN-11727	7.5D	UN-11880	10.7	UN-12026	12.1	UN-12124	10.3
UN-11729	7.5D	UN-11885	10.7	UN-12027	12.1	UN-12125	10.3
UN-11731	7.4D	UN-11887	10.6	UN-12030	15.1B 15.1C	UN-12126	10.4 15.3
UN-11733	7.4D	UN-11888	10.6	UN-12031	15.1B 15.1C	UN-12127	10.4 15.3
UN-11735	7.4D	UN-11889	10.6	UN-12032	15.1B 15.1C	UN-12128	10.4 15.3
UN-11737	7.4D	UN-11890	10.7	UN-12035	15.1B	UN-12129	10.4 15.3
UN-11739	13.5D	UN-11900	10.7	UN-12036	15.1B 15.1C	UN-12132	15.2A
UN-11740	1.4D	UN-11905	10.7	UN-12037	15.1B 15.1C	UN-12133	15.2A
UN-11741	1.4D	UN-11907	10.7	UN-12040	9.3 9.5	UN-12135	15.2A
UN-11742	1.4D	UN-11910	10.7	UN-12055	9.3 9.5	UN-12140	15.2A
UN-11743	1.4D	UN-11911	10.7	UN-12057	9.3 9.5	UN-12145	15.2A
UN-11746	1.4D	UN-11918	10.7	UN-12058	9.3 9.5	UN-12158	9.3 9.5
UN-11748	1.4D	UN-11920	7.3	UN-12060	9.3 9.5	UN-12160	9.3 9.5
		UN-11921	7.3	UN-12061	9.3 9.5	UN-12165	9.3 9.5
				UN-12065	9.3 9.5	UN-12168	9.3 9.5

Parts Index

Item	Assembly	Item	Assembly	Item	Assembly	Item	Assembly
UN-12169	9.3 9.5	UN-12315	13.1 13.6	UN-12486	15.1C	UN-12587	3.7D
UN-12170	16.1	UN-12316	13.1 13.6	UN-12487	1.7D 1.8D 1.9D 1.10 1.11	UN-12589	1.8D 1.9D 1.12
UN-12175	16.1	UN-12317	13.1 13.3		UN-12592	1.8D 1.9D 1.12	
UN-12178	16.1	UN-12318	13.1 13.3	UN-12525	1.1	UN-12619	13.13
UN-12179	16.1	UN-12319	13.1 13.6	UN-12530	1.1	UN-12620	13.13
UN-12180	15.2A	UN-12320	13.1 13.6	UN-12535	1.7D 1.8D 1.9D 1.10 1.11 7.1 7.2 7.4D 7.5D	UN-12621	13.13
UN-12181	15.2A	UN-12323	13.1 13.3		UN-12622	13.13	
UN-12182	15.2A	UN-12330	1.7D 1.8D 1.9D 1.10 1.11	UN-12536	1.7D 1.8D 1.9D 1.10 1.11 7.1 7.2 7.4D 7.5D	UN-12623	13.13
UN-12183	15.2A		UN-12624		13.13		
UN-12184	15.2A	UN-12332	1.7D 1.8D 1.9D 1.10 1.11	UN-12537	7.1 7.4D	UN-12625	13.13
UN-12190	13.1		UN-12538	7.1 7.4D	UN-12626	13.13	
UN-12196	13.14	UN-12333	1.7D 1.8D 1.9D	UN-12539	7.1 7.4D	UN-12627	13.13
UN-12220	1.5D	UN-12340	1.7D 1.8D 1.9D 1.10 1.11	UN-12540	7.1 7.4D	UN-12628	13.13
UN-12227	3.7D		UN-12541	7.1 7.2 7.4D 7.5D	UN-12629	13.13	
UN-12228	3.7D	UN-12355	1.7D 1.8D 1.9D 1.10 1.11	UN-12542	7.1 7.2 7.4D 7.5D	UN-12630	13.13
UN-12260	15.1B 15.1C		UN-12543	7.1 7.2 7.4D 7.5D	UN-12631	13.13	
UN-12261	15.1B 15.1C	UN-12364	1.7D	UN-12544	7.1 7.2 7.4D 7.5D	UN-12632	13.13
UN-12262	15.1B 15.1C	UN-12380	1.7D	UN-12545	7.3	UN-12633	13.13
UN-12263	15.1C	UN-12387	1.7D 1.8D 1.9D 1.10 1.11	UN-12546	7.3	UN-12634	13.13
UN-12265	15.1B		UN-12547	7.2 7.5D	UN-12635	13.13	
UN-12266	15.1B	UN-12390	1.7D	UN-12548	7.2 7.5D	UN-12636	13.13
UN-12267	15.1B	UN-12392	1.7D	UN-12550	3.1A 3.4A	UN-12637	13.13
UN-12280	12.2 12.3 12.4 12.5	UN-12400	3.7D	UN-12551	3.1A 3.4A	UN-12638	13.13
UN-12281	12.2 12.3 12.4 12.5	UN-12405	1.7D	UN-12555	3.1A 3.2A 3.3A 3.4A 3.5A	UN-12640	4.5 4.11
UN-12282	12.2 12.3 12.4 12.5	UN-12406	1.7D		UN-12645	7.1 7.4D	
UN-12283	12.2 12.3 12.4 12.5	UN-12414	4.3	UN-12556	3.1A 3.2A 3.3A 3.4A 3.5A	UN-12646	7.1 7.4D
UN-12287	1.1 1.4D 1.8D 1.10 11.2	UN-12417	1.7D		UN-12647	7.1 7.4D	
	UN-12291	1.1 1.4D 11.2	UN-12421	1.7D	UN-12648	7.1 7.4D	
UN-12292	15.1B 15.1C	UN-12424	1.7D	UN-12570	5.7	UN-12650	7.3
UN-12295	15.1B 15.1C	UN-12427	1.7D	UN-12571	1.7D	UN-12658	7.3
UN-12303	15.1B 15.1C	UN-12430	1.7D	UN-12572	1.7D 1.8D 1.9D 1.10 1.11	UN-12659	4.8
UN-12304	15.1B 15.1C	UN-12431	1.7D		UN-12665	4.6	
UN-12310	13.1 13.15 13.16	UN-12479	15.1C	UN-12578	1.7D	UN-12684	4.7 4.8 4.9 4.10 4.11
		UN-12481	15.1C	UN-12582	1.8D 1.9D	UN-12690	4.7 4.8

Parts Index

Item	Assembly	Item	Assembly	Item	Assembly	Item	Assembly
UN-12696	4.8	UN-12959	4.7 4.9 4.10 4.11	UN-13246	10.4	UN-15220	7.2 7.5D
UN-12700	7.1 7.2 7.4D 7.5D	UN-13056	3.4A	UN-13247	10.4	UN-15222	7.2 7.5D
UN-12701	7.1 7.2 7.4D 7.5D	UN-13068	17.3 17.3A 17.4 17.4A	UN-13293	17.3A 17.4A	UN-15224	7.2 7.5D
UN-12712	17.3 17.3A	UN-13074	17.3 17.3A 17.4 17.4A	UN-13294	17.3A 17.4A	UN-15226	7.2 7.5D
UN-12720	17.3 17.3A	UN-13075	17.3 17.3A 17.4 17.4A	UN-13394	3.8	UN-15228	7.2 7.5D
UN-12723	17.3 17.3A 17.4 17.4A	UN-13078	9.5	UN-13397	3.8	UN-15230	7.2 7.5D
UN-12727	17.3 17.3A 17.4 17.4A	UN-13079	9.5	UN-13398	3.8 3.9	UN-15232	7.1 7.2 7.4D 7.5D
UN-12730	17.3 17.3A 17.4 17.4A	UN-13082	9.5	UN-13400	3.8 3.9	UN-15234	7.1 7.2 7.4D 7.5D
UN-12735	17.3 17.3A 17.4 17.4A	UN-13086	9.5	UN-13402	3.8 3.9	UN-15236	7.1 7.4D
UN-12737	17.3 17.3A 17.4 17.4A	UN-13125	17.3 17.4 17.4A	UN-13411	17.3A 17.4A	UN-15238	7.1 7.4D
UN-12738	17.3 17.3A 17.4 17.4A	UN-13128	3.3A 3.5A	UN-13414	12.1	UN-15240	7.1 7.4D
UN-12740	17.3 17.3A 17.4 17.4A	UN-13131	1.10 1.11	UN-13421	1.10 1.11	UN-15242	7.1 7.4D
UN-12744	17.3 17.3A 17.4 17.4A	UN-13137	1.10 1.11	UN-13425	3.9	UN-15244	7.1 7.4D
UN-12752	15.2A	UN-13141	1.10 1.11	UN-13428	3.9	UN-15246	7.1 7.4D
UN-12753	17.3 17.4	UN-13145	1.10 1.11	UN-13432	3.9	UN-15248	1.8D 1.10
UN-12754	17.3 17.4	UN-13147	1.10 1.11	UN-13434	3.9	UN-15250	1.8D 1.10
UN-12755	17.3 17.3A 17.4 17.4A	UN-13148	1.10 1.11	UN-13435	3.9	UN-15252	2.1
UN-12756	17.3 17.3A 17.4 17.4A	UN-13149	1.10 1.11	UN-13437	9.5	UN-15253	2.1
UN-12757	17.3 17.3A 17.4 17.4A	UN-13151	1.10 1.11	UN-13438	9.5	UN-15254	2.1
UN-12760	17.4 17.4A	UN-13168	3.8	UN-13440	9.5	UN-15255	2.1 8.1
UN-12763	17.4 17.4A	UN-13170	3.8	UN-13442	9.5	UN-15256	8.1
UN-12778	4.7	UN-13173	3.8 3.9	UN-13462	17.3A 17.4A	UN-15257	8.1
UN-12783	4.7	UN-13175	3.8 3.9	UN-13465	17.3A	UN-15258	8.1
UN-12788	4.7	UN-13178	3.8 3.9	UN-13480	14.2B	UN-15259	2.1
UN-12801	1.1	UN-13179	3.8 3.9	UN-13482	14.2B	UN-15260	2.1
UN-12807	1.1	UN-13181	17.3 17.3A	UN-13484	1.11	UN-15261	8.1
UN-12860	1.10 1.11	UN-13185	17.3 17.3A	UN-13486	1.11	UN-15262	8.1
UN-12863	1.10 1.11	UN-13186	17.3 17.3A	UN-13518	8.1	UN-15265	1.9D 1.11
UN-12872	17.3 17.3A 17.4 17.4A	UN-13200	1.10 1.11	UN-15031	1.3 1.6D 13.12 13.14	UN-15267	1.9D 1.11
UN-12873	17.3 17.3A 17.4 17.4A	UN-13211	15.1C	UN-15081	1.3 1.6D 13.12	UN-17197	13.12 13.13
UN-12874	17.3 17.3A 17.4 17.4A	UN-13212	15.1C	UN-15085	13.8		
UN-12875	17.3 17.3A 17.4 17.4A	UN-13215	15.1C	UN-15126	10.7		
UN-12877	9.1 9.3	UN-13217	1.10 1.11	UN-15170	1.3 13.12 13.14		
UN-12950	3.8	UN-13220	15.1C	UN-15198	1.3 1.6D 13.12		

ScanStone

SOIL PREPARATION SYSTEMS

RGS Forfar Ltd. East Mains of Burnside,
Forfar, Angus, Scotland DD8 2RX

tel & fax: 0044 (0) 1307 818994

e-mail: rgssales@btconnect.com
www.scanstone.co.uk